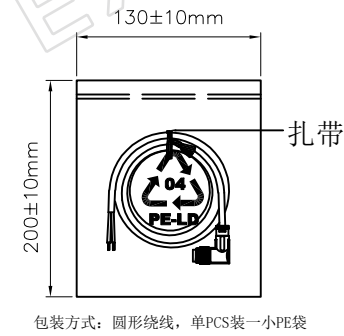
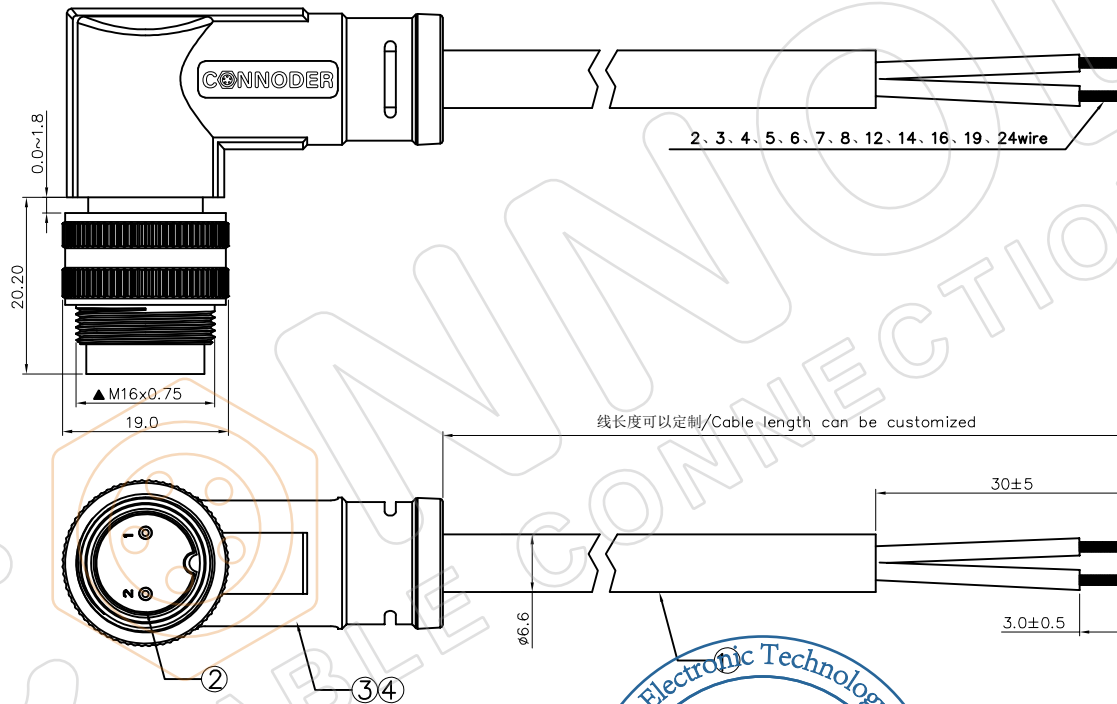


ROHS COMPLIANT LEAD&HALOGEN FREE

REV.	DESCRIPTION	DATE	DRAWN
A	Release rev.A for production	Dec/02/2023	Frank Zhou

芯数 Pin Number	02Pins	03Pins	04Pins	05Pins	06Pins	07Pins	08Pins	12Pins	14Pins	16Pins	19Pins	24Pins
适合线缆/Conductor size	0.75mm ²	0.75mm ²	0.75mm ²	0.75mm ²	0.75mm ²	0.75mm ²	0.75mm ²	0.25mm ²	0.25mm ²	0.25mm ²	0.25mm ²	0.25mm ²
导体直径/Pin size	1.5mm	1.5mm	1.5mm	1.5mm	1.5mm	1.5mm	1.5mm	1.0mm	1.0mm	1.0mm	1.0mm	0.5mm
额定电流/Rated current	7A	7A	7A	7A	5A	5A	5A	3A	3A	3A	1A	1A
额定电压/Rated voltage	250V	250V	250V	250V	125V	125V	125V	60V	60V	60V	60V	60V



TEST CONDITION:

- 100% OPEN SHORT & MISWIRE TEST.
- CONDUCTOR RESISTANCE: 3 Ohms Max.
- INSULATION RESISTANCE: 10M Ohms Min.
- HI-POT: 300V DC.



GENERAL TOLERANCES (UNLESS SPECIFIED)		DRAWN BY:	TITLE:
X.X ± 0.35	X.' ± 3'	Frank Zhou	M16 Series Male Solder Right Angle CABLE
X.XX ± 0.25	X.X' ± 2'	Frank Zhou	PART NO.: MC16NM-XX5LSRAXXXX01
X.XXX ± 0.15	X.XX' ± 1'	APPROVED BY:	DWG NO.: MC16NM-XX5LSRAXXXX01-P
THIRD ANGLE PROJECTION		CUSTOMER:	
DIMENSION STYLE: MM ONLY		SCALE: NONE	
DESIGN UNITS: METRIC		SHEET: 1 of 1	
THIS DRAWING CONTAINS INFORMATION THAT IS PROPRIETARY TO SHUNKONN AND SHOULD NOT BE USED WITHOUT WRITTEN PERMISSION			

Website: www.connoder.com
E-Mail: sale@connoder.com
CONNODER ELECTRONIC TECHNOLOGY CO LTD