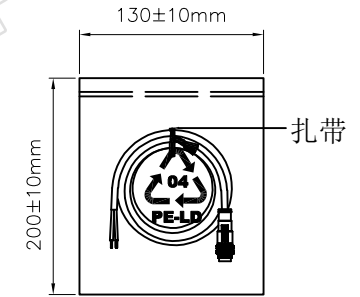
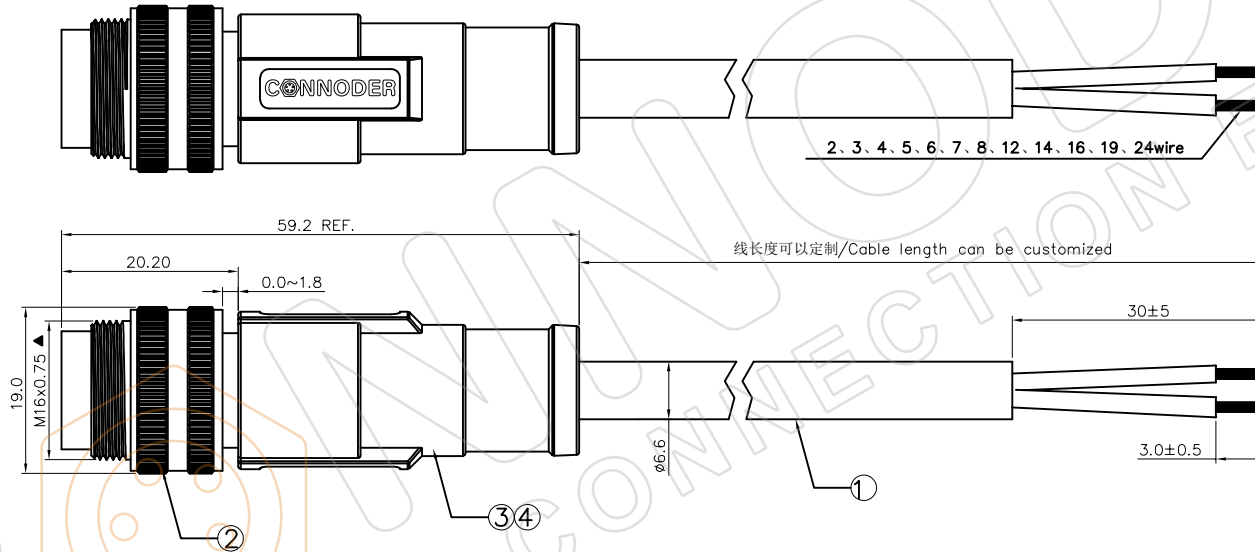
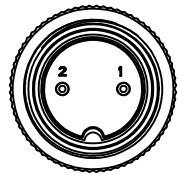


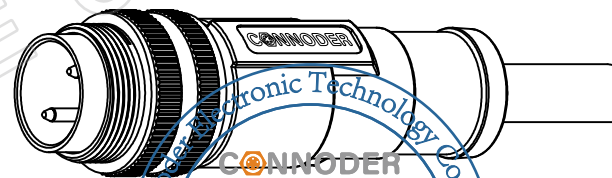
ROHS COMPLIANT LEAD&HALOGEN FREE

| REV. | DESCRIPTION                  | DATE        | DRAWN      |
|------|------------------------------|-------------|------------|
| A    | Release rev.A for production | Dec/02/2023 | Frank Zhou |

| 芯数<br>Pin Number    | 02Pins              | 03Pins              | 04Pins              | 05Pins              | 06Pins              | 07Pins              | 08Pins              | 12Pins              | 14Pins              | 16Pins              | 19Pins              | 24Pins              |
|---------------------|---------------------|---------------------|---------------------|---------------------|---------------------|---------------------|---------------------|---------------------|---------------------|---------------------|---------------------|---------------------|
| 适合线缆/Conductor size | 0.75mm <sup>2</sup> | 0.75mm <sup>2</sup> | 0.75mm <sup>2</sup> | 0.75mm <sup>2</sup> | 0.75mm <sup>2</sup> | 0.75mm <sup>2</sup> | 0.75mm <sup>2</sup> | 0.25mm <sup>2</sup> | 0.25mm <sup>2</sup> | 0.25mm <sup>2</sup> | 0.25mm <sup>2</sup> | 0.25mm <sup>2</sup> |
| 导体直径/Pin size       | 1.5mm               | 1.5mm               | 1.5mm               | 1.5mm               | 1.5mm               | 1.5mm               | 1.5mm               | 1.0mm               | 1.0mm               | 1.0mm               | 1.0mm               | 0.5mm               |
| 额定电流/Rated current  | 7A                  | 7A                  | 7A                  | 7A                  | 5A                  | 5A                  | 5A                  | 3A                  | 3A                  | 3A                  | 1A                  | 1A                  |
| 额定电压/Rated voltage  | 250V                | 250V                | 250V                | 250V                | 125V                | 125V                | 125V                | 60V                 | 60V                 | 60V                 | 60V                 | 60V                 |

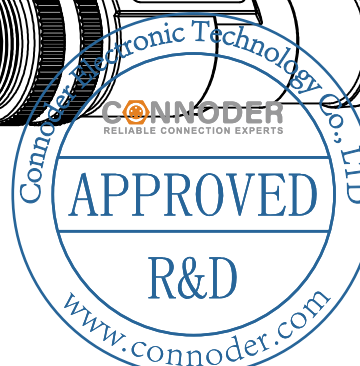


包装方式: 圆形绕线, 单PCS装一小PE袋



TEST CONDITION:

- 100% OPEN SHORT & MISWIRE TEST .
- CONDUCTOR RESISTANCE: 3 Ohms Max.
- INSULATION RESISTANCE: 10M Ohms Min.
- HI-POT: 300V DC.



|   |            |   |  |
|---|------------|---|--|
| <b>CONNODER</b><br>RELIABLE CONNECTION EXPERTS  |            | Website: www.connoder.com<br>E-Mail: sale@connoder.com<br>CONNODER ELECTRONIC TECHNOLOGY CO LTD |  |
| GENERAL TOLERANCES (UNLESS SPECIFIED)   |            | DRAWN BY:<br>Frank Zhou   | TITLE:<br>M16 Series Male Solder CABLE |
| X.X ± 0.35  | X.' ± 3'   | CHECKED BY:<br>Frank Zhou   | PART NO.: MC16NM-XX5LSSTXXXXX01        |
| X.XX ± 0.25   | X.X' ± 2'  |   | DWG NO.: MC16NM-XX5LSSTXXXXX01-P       |
| X.XXX ± 0.15  | X.XX' ± 1' | APPROVED BY:  | CUSTOMER:                              |
| THIRD ANGLE PROJECTION  |            | SCALE: NONE   |  |
| DIMENSION STYLE<br>MM ONLY  |            | DESIGN UNITS<br>METRIC  |  |
| THIS DRAWING CONTAINS INFORMATION THAT IS PROPRIETARY TO SHUNKONN AND SHOULD NOT BE USED WITHOUT WRITTEN PERMISSION |            |   |  |

SHEET: 1 of 1