

 **86-4000-222-752**
National Service Hotline



www.dadisick.com



Scan the code to
download materials

Industrial intelligent control solutions

DADISICK®

Focusing on industrial safety protection
And automated sensors

Product Overview



CE ISO9001:2015

Industrial intelligent
control solutions



Dongguan Dadi Electronic Technology Co.,Ltd

www.dadisick.com

Add: No.10 Sanjiang Industrial Area, Hengli Town, Dongguan City,
Guangdong Province P.R. China.

Specifications may change
Without further notice

Tel: 86-0769-8110858 86-13713346108

Email: sale@dadisick.com

SPECIFICATIONS ARE SUBJECT TO CHANGE WITHOUT NOTICE.

Welcome to call Dadisick to request the latest product information.
Dadisick reserves the right to modify all product parameters and the final interpretation.

PRINTED IN CHINA

Dongguan Dadi Electronic Technology Co.,Ltd

2024 Ver1.1

COMPANY PROFILE ▶

2017

have the honour to get or win
High tech enterprises

19 years of

focus on safety protection

20 items

Authoritative agency testing
report And quality certification
certificate

Multiple items

national patent



Dongguan Dadi Electronic Technology Co., Ltd. was established in 2006. It is a high-tech enterprise that integrates the design, manufacturing, and service of photoelectric protection technology. Its mission is to promote safety production awareness and create a safe production environment, providing products and solutions for many fields of social production. Marketed in multiple countries and regions worldwide, with multiple technologies, software copyrights, and trademark patents, our main products include safety light curtains, laser displacement sensors, laser scanning radar, photoelectric sensors, proximity sensors, etc.

As a future oriented company, we have years of practical experience in industrial sites and have won the trust of customers from all over the world. We serve the automation equipment industry, automotive manufacturing, electronic and electrical manufacturing, hardware and electrical appliance manufacturing, and subway screen door systems, among others.



UL American certification testing



International CE certification



High tech certified enterprises



TUV South Germany Certification Testing



ISO9001: 2015 authentication

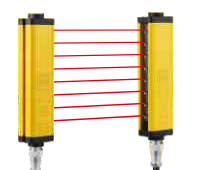
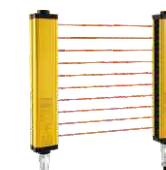
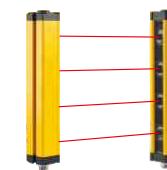
HONORARY CERTIFICATE ▶



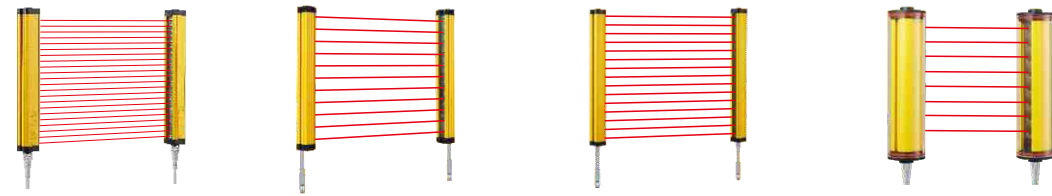


- Adopting line synchronization mode for safe and reliable performance
- Provide various size measurements such as fingers, palms, arms, etc
- Multiple external dimensions, protection heights, and detection methods are available for selection
- Can be quickly customized according to various non-standard needs of customers

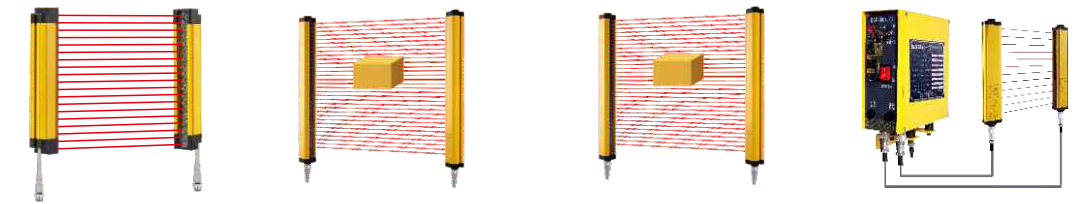
Safety light curtain	04/05/06
Laser scanning radar	07
Safety door lock	
Safety door switch	08
Safety carpet	09
Safety edge	
Safety relay	10
Laser displacement sensor	11/12
Laser ranging sensor	13/14
Color sensor	15/16
Ultrasonic sensor	17
Photoelectric sensor	18/19/20/21
Laser sensor	22/23
Proximity sensors	23/24/25/26/27
Slot type sensor	28
Fiber optic sensors	29/30/31/32/33



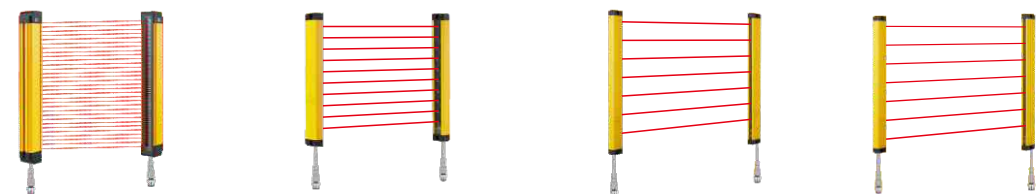
Model	QC series	QE series	QA series	QT series
Cross-sectional area	30x30mm	30x30mm	35x51mm	35x51mm
Number of optical axes	4~32axes	4~72axes	4~32axes	4~72axes
Protection height	50~3800mm	100~3800mm	50~3400mm	100~2840mm
Protection distance	0.3~3mm	0.3~3mm	0.3~3mm	0.3~3mm
Beam pitch	10/14/20/25/30/40/80/200mm	10/20/40/80/200mm	10/14/20/25/30/40/80/200mm	10/20/40/80mm
working voltage	24V DC ±10%	24V DC ±10%	24V DC ±10%	24V DC ±10%
Output mode	NPN/PNP	NPN/PNP	NPN/PNP	NPN/PNP
Synchronization type	Line synchronization	Line synchronization	Line synchronization	Line synchronization
response time	≤15ms	≤15ms	≤15ms	≤15ms
Protection level	IP65	IP65	IP65	IP65



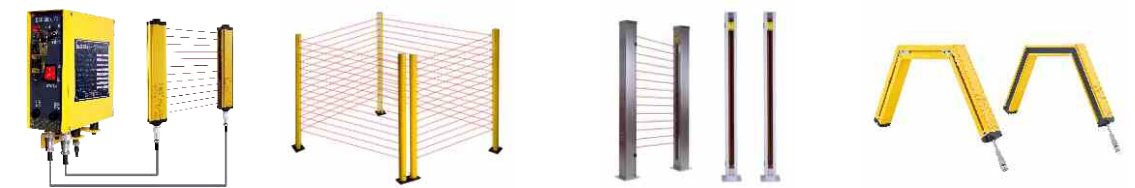
Model	QCE series	FT series	KT series	QRF series
Cross-sectional area	30x30mm	25x23mm	29.3x29.3mm	φ50mm
Number of optical axes	4~72axes	4~200axes	4~200axes	4~32axes
Protection height	90~2840mm	70~7960mm	70~7960mm	50~2480mm
Protection distance	0.3~3mm	0.3~3mm	0.3~3mm	0.3~3mm
Beam pitch	10/20/30/40mm	10/14/20/40mm	10/14/20/40mm	10/14/20/25/30/40/80mm
working voltage	24V DC ±10%	24V DC ±10%	24V DC ±10%	24V DC ±10%
Output mode	NPN/PNP	NPN/PNP	NPN/PNP	NPN/PNP
Synchronization type	Line synchronization	Optical synchronization	Optical synchronization	Line synchronization
response time	≤15ms	≤15ms	≤15ms	≤15ms
Protection level	IP65	IP65	IP65	IP68



Model	QO series	QL series	QM series	QS series
Cross-sectional area	30x28mm	36x36mm	36x36mm	35x51mm
Number of optical axes	4~72axes	4~496axes	4~400axes	4~32axes
Protection height	90~2130mm	60~4054.5mm	60~4990mm	50~2480mm
Protection distance	0.3~3mm	0.3~3mm	0.3~3mm	0.3~3mm
Beam pitch	10/20/30mm	1.25/2.5/5/10/20/40/80mm	2.5/5/10/20/40/80mm	10/14/20/25/30/40/80mm
working voltage	24V DC ±10%	24V DC ±10%	24V DC ±10%	24V DC ±10%
Output mode	NPN/PNP	NPN/PNP/RS485 /232/Analog output	NPN/PNP/RS485 /232/Analog output	NPN/PNP
Synchronization type	Line synchronization	Line synchronization	Line synchronization	Line synchronization
response time	≤15ms	≤15ms	≤15ms	≤15ms
Protection level	IP65	IP65	IP65	IP65



Model	QT4 series	QZ series	QB series	QBT series
Cross-sectional area	30x30mm	17.2x30mm	30x15mm	30x15mm
Number of optical axes	4~319axes	4~32axes	4~32axes	4~200axes
Protection height	90~5970mm	50~2480mm	100~1240mm	70~7960mm
Protection distance	0.3~3mm	0.3~3mm	0.3~3mm	0.3~3mm
Beam pitch	7.5/15/30mm	10/14/20/25/30/40/80mm	20/40mm	10/20/40mm
working voltage	24V DC ±10%	24V DC ±10%	24V DC ±10%	24V DC ±10%
Output mode	NPN/PNP	NPN/PNP	NPN/PNP	NPN/PNP
Synchronization type	Line synchronization	Line synchronization	Line synchronization	Optical synchronization
response time	≤15ms	≤15ms	≤15ms	≤15ms
Protection level	IP65	IP65	IP65	IP65



Model	QV series	QSA series	QLV series Vehicle separation light curtain	Customized collection
Cross-sectional area	35x51mm	35x51mm	35x51mm	
Number of optical axes	4~72axes	4~72axes	4~72axes	
Protection height	100~5680mm	120~2840mm	50~1420mm	
Protection distance	0.3~3mm	0.3~3mm	0.3~3mm	
Beam pitch	10/20/40/80mm	40/80mm	10/14/20/25/30/40/80/200mm	Customization requires contacting customer service
working voltage	24V DC ±10%	24V DC ±10%	24V DC ±10%	
Output mode	NPN/PNP	NPN/PNP	NPN/PNP	
Synchronization type	Line synchronization	Line synchronization	Line synchronization	
response time	≤15ms	≤15ms	≤15ms	
Protection level	IP65	IP65	IP65	



- Can provide very high resolution for angles, distances, and speeds
- Not affected by light, can perform detection tasks 24/7
- Good concealment and strong anti-interference ability
- Small size, light weight, and wide application range



Compact and lightweight in appearance, easy to install, with diverse contact configurations and locking functions, it is the lowest cost solution;
Adapted to multiple operation keys, it provides various choices as a installation method on protective doors, making it widely applicable.

Product Overview ▶



model	LD-05D/LD-20D	LD-05HN(P)/LD-10HN(P)	LD-50G	LDS2030B5-5S
measuring range	0.05-5m/0.05-20m	0.05-5m/0.05-10m	0.1-50m	0.1-20m
Size (LxWxH)	50x50x76mm	50x50x76.3mm	60x60x84.5mm	80x85x102mm
Output method	NPN/PNP	NPN/PNP	Ethernet output	Ethernet output
Scanning angle range	270°	270°	270°	300°
Scanning frequency	15Hz/30Hz	15Hz/30Hz	10/15/20Hz	25Hz
Angle resolution	0.1°/0.3°	0.1°/0.3°	0.06°/0.09°/0.12°	0.5°
Power supply voltage	DC 9 V~28 V	DC 9 V~28 V	DC 9 V~32 V	DC 10V~30 V
Power dissipation	2W	2W	2.5W	3.4W
Protection level	IP65	IP65	IP65	IP67
Weight	150g	150g	205g	600g

Product Overview ▶



model	OX-W2 series	OX-W3 series	OX-W5 series	OX-D2/D3 series
Rated voltage	24V DC	24V DC	10-115V AC/DC	10-115V AC/DC
Usage category	AC15/DC13	AC15/DC13	AC15/DC13	AC15
Tensile strength during locking	1300N	1300N	1300N	/
Rated working voltage	240V/30V	240V/30V	240V/30V/250V	400V
Rated working current	3A/2.3A	3A/2.3A	3A/2.3A/2.7A	3A/2.3A/2.7A
Contact material	Silver alloy gold plating	Silver alloy gold plating	Silver alloy gold plating	Silver alloy gold plating
Forced detachment of action force	≥80N	≥60N	≥60N	≥60N
Allow operating frequency	Maximum of 20 operations per minute	Maximum of 20 operations per minute	Maximum of 20 operations per minute	Maximum of 20 operations per minute
Protection level	IP67	IP67	IP67	IP67
service life	Mechanical over 1 million times Electrical appliances over 150000 times	Mechanical over 1 million times Electrical appliances over 150000 times	Mechanical over 1 million times Electrical appliances over 150000 times	Mechanical over 1 million times Electrical appliances over 150000 times

*Note: There are 11 types of insert keys available, which can be used in different scenarios with safety door handles.

OX-D6 Product Overview ▶

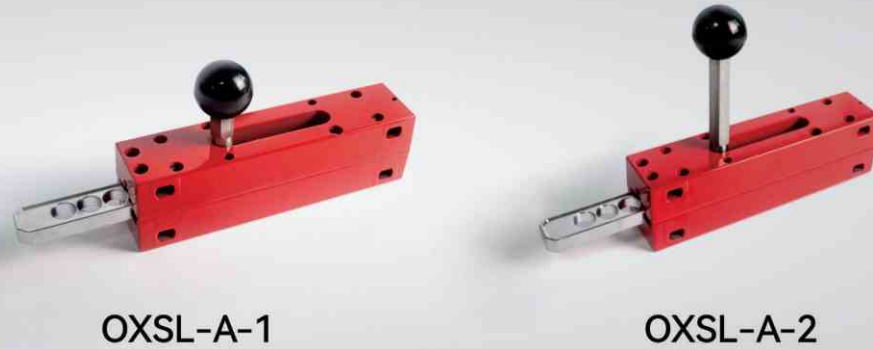
model	OX-D6	
Rated voltage	DC24V±15%	
Safety output	NPN*2/PNP*2	
Locking retention force	≥2000N	
Operating frequency	1HZ	
Cascade Link	Up to 20 units	
OSSD output type	Transistor output	
Insertion deviation of lock bolt	≤2mm	
Rated power	4.6W(no-load)	
Protection level	Ip65	
Mechanical durability	>1 million times (door operation speed 1m/s)	
Material	Nylon/Zinc Alloy/Stainless Steel	



	Explanation of the difference between standard and high-performance models	
	Standard type	High functional type
Safe output channel	●	●
AUX output channel	●	●
Secure input channel	●	●
Lock input channel	●	●
EDM		●
Reset		●

Safety door bolt

Can be used with OX-W2, OX-W3, OX-W5, OX-D2/D3



OXSL-A-1

OXSL-A-2

Mechanical life	1x10 ⁶ per/cycle	Installation method	Left or right side	Sliding handle material	Zinc alloy
Installation position	Door or fence	Base material	Zinc alloy	Handle material	Stainless steel
Ball head material	Plastic	weight	0.6kg		

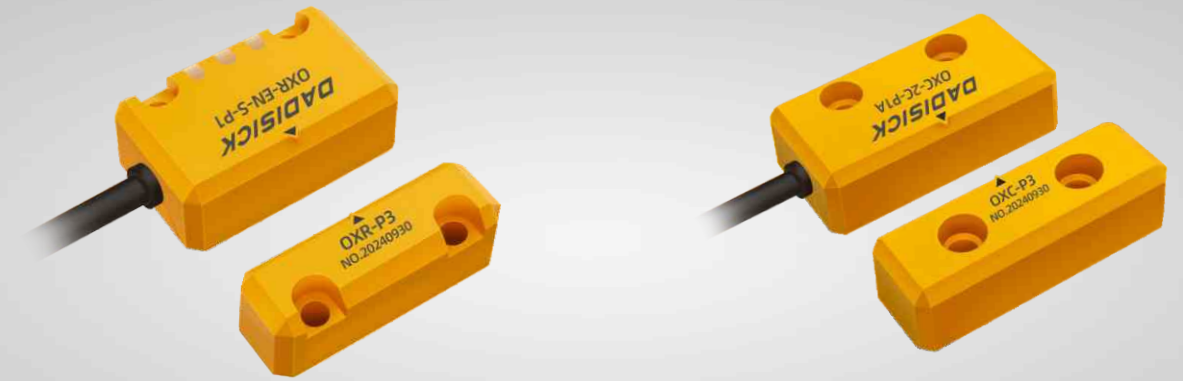


OXSL-B-1

OXSL-B-2

OXSL-B-3

Mechanical life	1x10 ⁶ per/cycle	Installation method	Left or right side	Sliding handle material	Aluminum alloy
Installation position	Door or fence	Base material	Aluminum alloy	Handle material	Stainless steel
Ball head material	Plastic	weight	OXSL-B-1(0.95kg)/OXSL-B-2(1.05kg)/OXSL-B-3(1.05kg)		



OXR series

OXC series

- Non contact zero wear detection, impact and vibration resistance, long service life
- Provide universal encoding and unique encoding options
- Using encoding actuators to prevent human tampering and provide effective protection
- Can support cascading use of 30 door switches
- Three sides can be sensed, suitable for L-shaped (vertical) installation

Product Overview ▶

OXR series technical parameters ▶

Characteristic				
Universal coding type	OXR-FN-S-□	OXR-FP-S-□	OXR-EN-S-□	OXR-EP-S-□
Unique encoding type	OXR-FN-D-□	OXR-FP-D-□	OXR-EN-D-□	OXR-EP-D-□
Type of output	NPN	PNP	NPN	PNP
Cascade	Do not support cascading		support cascading	

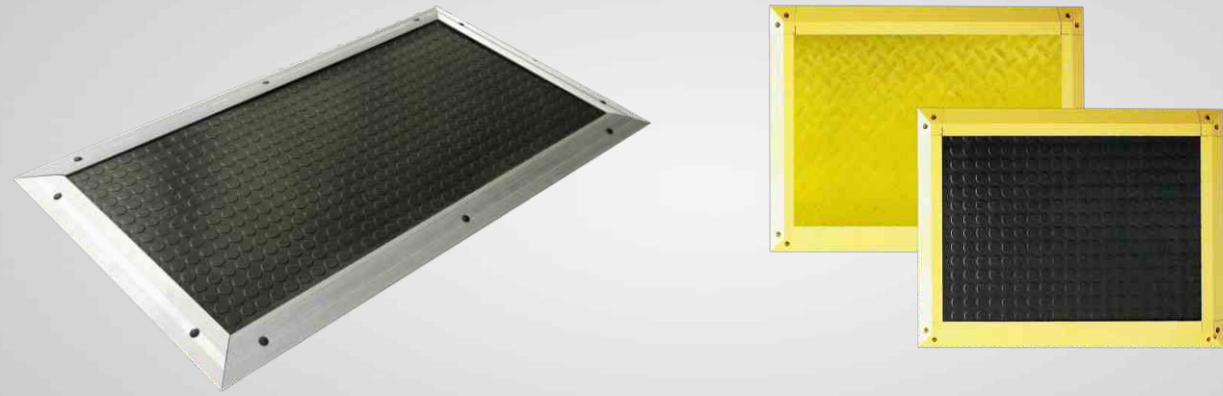
Technical Parameter			
Horizontal conductivity distance	0-10mm	Protection grade	IP67(EN60947-5-1)
Horizontal disconnection distance	> 25mm	Encoding level	Universal coding Low level coded (ISO 14119) Unique code High level coded (ISO 14119)
Vertical conduction distance	0-6mm	Interlocking type	Type 4(ISO14119)
Vertical disconnection distance	> 15mm	Operating frequency	1Hz
Repeatability	0.5mm	Working temperature	-10°C~+55°C
Working voltage	24VDC	Relative humidity	5%-95%
Working current	30mA	Material Science	Thermoplastic PBT
Safe output current	150mA	Cascade	Support cascading model selection
Auxiliary output current	50mA	Diagnostic output	support
Response time	60ms	Connection method	Direct outgoing line, with a length of 3 meters

OXC series technical parameters ▶

Security level	
Safety level standards	ISO13849-1, IEC/EN60947-5-3
Security classification	Class 3 switch in accordance with ISO13849-1; Dual channel interlock is suitable for Class 3 or Class 4 systems

Output	
Safe output	2个N.C.REEDS
Entry cable	Direct outgoing line (A); Outgoing line with aviation plug (B)

Technical Parameter	
Working distance	Conduction Min:8mm; to break off. Max:17mm
Typical tolerance	Refer to the alignment diagram
Output current (maximum)	200mA
Response time	5ms
Protection level	IP67 (customizable IP69K)
Operating frequency	1Hz
Working temperature	-10~+55°C
Relative humidity	5%-95%
Material Science	UL certified thermoplastic



- High triggering sensitivity, providing safety protection for people weighing over 20 kilograms
- Flexible laying area, customizable safety carpet protection systems of different sizes or shapes according to user requirements
- Different models can be selected to adapt to different working conditions and environmental conditions



model	DT11 (High end models)	DT15 (High end models)	DT14 (Economic funds)
Detection method	Pressure sensing method	Pressure sensing method	Pressure sensing method
Maximum allowable load	<200kg/cm ²	Impact load<800kg/cm ²	Impact load<700kg/cm ²
Mechanical lifespan	> 3,000,000 time	> 3,000,000 time	> 1,000,000 time
size	Standard size/custom size	Standard size/custom size	Standard size/custom size
Surface protective materials	PVC	NBR rubber	NBR rubber
response time	13ms	13ms	< 30ms
ambient temperature	-20°C~+55°C	-35°C~+65°C	-10°C~+60°C
Protection level	Ip65	Ip65	Ip65
Applicable occasions	Suitable for general working conditions Unable to withstand vehicle crushing and heavy object impact	Suitable for special or heavy working conditions Can withstand limited light vehicle crushing Impact from a heavy object weighing not more than 2KG	Suitable for mixed areas of people small cars, and vehicles safety protection

*Note: Unconventional sizes or splicing sizes can be customized according to customer needs.



The safety contact is a rubber strip pressure-sensitive sensor. Used to detect the danger of moving parts squeezing or shearing people. It is a close proximity safety protection device for automatic equipment that meets the highest safety protection requirements and is used to ensure the safety of personnel in hazardous areas who may face dangerous situations such as pinching, squeezing, and collision.

model		DB-PSE series		model		DB series	
Detection method		Pressure sensing method		Detection method		Pressure sensing method	
Maximum induction angle		< 90°		Color/Material		Black EPDM	
Trigger force		≥25N-250N		Withstand voltage		≤24V	
Mechanical lifespan		> 3,000,000次		Withstand current		<1A	
Surface protection material		EPDM rubber Cr rubber		Blind spot range		Unilateral 20-30mm	
ambient temperature		-20 ° C~55 ° C		ambient temperature		-20 ° C~80 ° C	
Protection level		IP65		Signal mode		NO	
response time		13ms		Standard wiring harness		Length: 50cm, customizable, wire diameter: 3.5mm	



Safety relay

PLe Cat.4 EN/ISO13849 SIL3 IEC61508 CE

Suitable for monitoring

- Emergency stop button
- Safety switch
- Safety door lock
- Safety light curtain
- Safety scanner
- Safety sensors
- Safety edge
- Safety carpet
- Thumb switch

General parameters		General parameters	
Output fuse (external)	5A gL/gG	size (LS-A/Ter-A)	112mmx99.5mmx22.6mm
Release response time	< 30ms(From input to output)	Weight	172g
Input component tail end detection resistance	1kΩ~10kΩ	source	
Electrical lifespan	80000 times	Power supply	24V DC
working temperature	-25°C~85°C	Voltage tolerance	+10%~20%
Protection level	Housing IP30, terminal IP20, recommended for installation in Cabinet or shell Ip54	Power dissipation	2.9W
Installation method	Standard 35mm DIN rail/spring clip	output	
size (QSRN)	114.5mmx100.5mmx22.5mm	Relay safety output	3NO+1NC
		Transistor signal output	< 500mA 24VDC



LS-3A1B.C



LS-2A4S

CZSR8901-2A4S is a multifunctional intelligent safety relay that supports multiple switch type safety element inputs (such as emergency stop button, safety door, two hand button, etc.). It can support up to 6 safety element inputs, 2 relay safety outputs, and 4 semiconductor outputs. It can use group software to set safety control logic and meet various on-site application needs

Power characteristics		Power characteristics	
Input current	≤10mA(24V DC)	Size (CZSR)	20V~30V DC
Wire resistance	<150	Supply voltage	≤110mA(24V DC)
Input channel	6	Current loss	114.5mmx99.0mmx45mm
protection grade	Ip20	Semiconductor output characteristics	
Relay output characteristics		Number of contacts	4SO
Number of contacts	2NO	Contact fuse protection	5A fast, 3A slow
Contact material	AgSnO ₂	Switching capacity	2A/24VDC
Contact fuse protection	10A fast, 6A slow	Time characteristics	
Switching capacity	5A/230V AC:5A/24VDC	Suction buffer time	<100ms
Control logic		Release buffer time	<30ms
Support control logic	"AND" or "CAN"	Recovery time	Emergency stop operation: ≤ 30ms
Customize delay setting time according to customer needs	0.1~99s		Power failure: ≤ 1000ms
		Short term power interruption	20ms

LS-A、Ter-A、QSRN、CZSR safety certification ►

safety certification

Performance Level (PL): PLe	Compliant with EN ISO13849 standard
Safety Category (Cat.): Cat. 4	Compliant with EN ISO13849 standard
Task duration (Tm): 20 years	Compliant with EN ISO13849 standard
Diagnostic coverage rate (DC/DCw): 99%	Compliant with EN ISO13849 and IEC61508, IEC62061 standards
Safety Integrity Level (SIL): SIL3	Compliant with the standard IEC61508 IEC62061
Hardware Failure Tolerance (HFT): 1	Compliant with the standard IEC61508 IEC62061
Safety Failure Factor (SFF): 99%	Meets the standard IEC61508 IEC62061 and the standard EN 60204-1
Probability of Hazardous Failure (PFH): 1.86E-9/h	
Stop Category: 0/1	



Laser displacement sensors can accurately non-contact measure the position, displacement, and other changes of the measured object, mainly used for detecting objects;

The measurement of geometric quantities such as displacement, thickness, vibration, distance, and diameter of a body is widely used.



model	GFL-Z30N GFL-Z30NM GFL-Z30N-RS485	GFL-Z50N GFL-Z50NM GFL-Z50N-RS485	GFL-Z100N GFL-Z100NM GFL-Z100N-RS485	GFL-Z200N GFL-Z200NM GFL-Z200N-RS485
Measure center distance	30mm	50mm	100mm	200mm
measuring range	±5mm	±15mm	±35mm	±80mm
Repetitive accuracy	10μm	30μm	70μm	200μm
supply voltage	12-24VDC+10%,	12-24VDC+10%,	12-24VDC+10%,	12-24VDC+10%,
Consumption current	Below 40mA, below 60mA	Below 40mA, below 60mA	Below 40mA, below 60mA	Below 40mA, below 60mA
Linear type	±0.1%FS	±0.1%FS	±0.1%FS	±0.2%FS
Temperature characteristic	0.03%FS./°C	0.03%FS./°C	0.03%FS./°C	0.03%FS./°C
Beam diameter	aboutφ50μm	aboutφ70μm	aboutφ120μm	aboutφ300μm
Shell material	Aluminum casting front cover plate; acrylic based	Aluminum casting front cover plate; acrylic based	Aluminum casting front cover plate; acrylic based	Aluminum casting front cover plate; acrylic based
Ambient temperature	-10°C~+50°C	-10°C~+50°C	-10°C~+50°C	-10°C~+50°C
Output	Switching quantity, 485 communication, analog quantity (0-5V 4-20mA)			

Laser displacement sensor



model	GFL-Z400N GFL-Z400NM GFL-Z400N-RS485	GFL-Z235N GFL-Z235NM GFL-Z235N-RS485	GFL-G30(P)M GFL-G30(P)M-485	GFL-G50(P)M GFL-G50(P)M-485
Measure center distance	400mm	235mm	30mm	50mm
measuring range	±200mm	35-435mm	±4mm	±10mm
Repetitive accuracy	400µm/800µm	10µm	/	/
supply voltage	12-24VDC+10%,	12-24VDC+10%,	12-24VDC+10%,	12-24VDC+10%,
Consumption current	Below 40mA, below 60mA	Below 40mA, below 60mA	Below 40mA, below 60mA	Below 40mA, below 60mA
Linear type	±0.2%FS	±0.2%FS	±0.1%FS	±0.1%FS
Temperature characteristic	0.03%FS./°C	0.03%FS./°C	0.08%FS./°C	0.08%FS./°C
Beam diameter	about φ500µm	about φ500µm	/	/
Shell material	Aluminum casting front cover plate; acrylic based	Aluminum casting front cover plate; acrylic based	Shell: PBT Lens: PMMA	Shell: PBT Lens: PMMA
Ambient temperature	-10°C~+50°C	-10°C~+50°C	-10°C~+45°C	-10°C~+45°C
Output	Switching quantity, 485 communication, analog quantity (0-5V 4-20mA)			



model	GFL-G85(P)M GFL-G85(P)M-485	GFL-G120(P)M GFL-G120(P)M-485	GFL-G250(P)M GFL-G250(P)M-485
Measure center distance	85mm	120mm	250mm
Measuring range	±20mm	±60mm	±150mm
Resolving power	10µm	30µm	75µm
Supply voltage	12-24VDC+10%,	12-24VDC+10%,	12-24VDC+10%,
Consumption current	Below 40mA, below 60mA	Below 40mA, below 60mA	Below 40mA, below 60mA
Linear type	±0.2%FS	±0.2%FS	±0.2%FS
Temperature characteristic	0.08%FS./°C	0.08%FS./°C	0.08%FS./°C
Shell material	Shell: PBT Lens: PMMA	Shell: PBT Lens: PMMA	Shell: PBT Lens: PMMA
Ambient temperature	-10°C~+45°C	-10°C~+45°C	-10°C~+45°C
Output	Switching quantity, 485 communication, analog quantity (0-5V 4-20mA)		

Laser ranging sensor



- Phase based distance measurement with high accuracy and fast speed;
- High precision laser displacement sensor
- Equipped with a built-in screen and menu, it can be set up without connecting to a computer;
- Ip67 protective metal die cast body, capable of adapting to various environments

GFL-Y Laser ranging sensor ▶



model	GFL-Y011U-485-N GFL-Y011U-485-P	GFL-Y021U-485-N GFL-Y021U-485-P	GFL-Y051U-485-N GFL-Y051U-485-P
Measure distance	0.1-1m	0.1-2m	0.1-5m
Resolving power	1mm	1mm	1mm
Supply voltage	12-24V DC	12-24V DC	12-24V DC
Consumption current	≤50mA	≤50mA	≤50mA
Control output	NPN/PNP	NPN/PNP	NPN/PNP
Reaction time	50-200ms	50-200ms	50-200ms
Protective structure	Ip67	Ip67	Ip67
working temperature	-10°C~+45°C	-10°C~+45°C	-10°C~+45°C
Use elevation	Below 2000m	Below 2000m	Below 2000m
Weight	Approximately 150g	Approximately 150g	Approximately 150g
Output	Switching quantity, 485 communication, analog quantity (0-5V 4-20mA)		

Laser ranging sensor



model	GFL-Y10IU-485-N GFL-Y10IU-485-P	GFL-Y20IU-485-N GFL-Y20IU-485-P	GFL-Y50IU-485-N GFL-Y50IU-485-P
Measure distance	0.1-10m	0.1-20m	0.1-50m
Resolving power	1mm	1mm	1mm
Supply voltage	12-24V DC	12-24V DC	12-24V DC
Consumption current	≤50mA	≤50mA	≤50mA
Control output	NPN/PNP	NPN/PNP	NPN/PNP
Reaction time	50-200ms	50-200ms	50-200ms
Protective structure	Ip67	Ip67	Ip67
working temperature	-10°C~+45°C	-10°C~+45°C	-10°C~+45°C
Use elevation	Below 2000m	Below 2000m	Below 2000m
Weight	Approximately 150g	Approximately 150g	Approximately 150g
Output	Switching quantity, 485 communication, analog quantity (0-5V 4-20mA)		

DA-Y/DB-Y Laser ranging sensor ▶



model	Measure distance	Voltage/current output	Voltage output error	Current output error	Output mode	Measurement frequency
DA-Y10	0.2-10m	/	/	/	RS485/232 + NPN	1-40HZ
DA-Y20	0.2-20m					
DA-Y30	0.2-30m					
DA-Y50	0.2-50m					
DA-Y100	0.2-100m					

model	Measure distance	Voltage/current output	Voltage output error	Current output error	Output mode	Measurement frequency
DB-Y10	0.2-10m	Can be set to 0-5V/ 0-10V/ 4-20mA A/ 0-20mA/ 0-24mA output	0.2%+0.5mV	0.2%+0.005mA	Digital quantity + Switching quantity + Analog quantity	1-40HZ
DB-Y20	0.2-20m					
DB-Y30	0.2-30m					
DB-Y50	0.2-50m					
DB-Y100	0.2-100m					

communication interface	RS232/RS485(Switchable)
Measurement frequency	1Hz-40Hz
Laser type	Class II,660±15nm,≤1mW
Measurement resolution	1mm
Spot size	@1m∅6mm;@10m∅8mm;@20m∅12mm;@30m∅16mm;
Power supply	DC15 ~ 30V
Storage temperature and humidity	-20°C ~ 60°C, 20% ~ 85%RH
Body size	88.45x40x59.3mm(Including connecting seat)

Laser ranging sensor



Long distance laser rangefinder

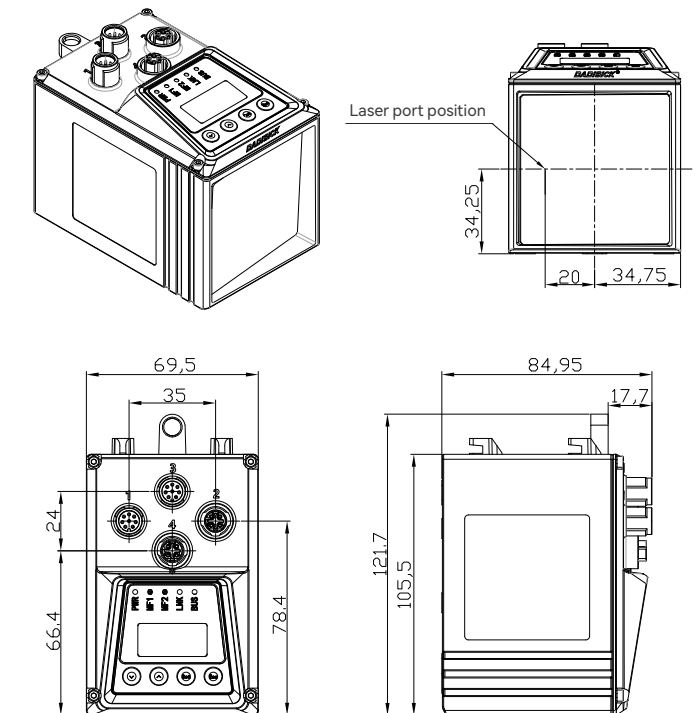
DS200

DADISICK's new long-range laser rangefinder DS200 can achieve high-precision fixed-point measurement within 200 meters, with a ranging accuracy of up to 2mm; The LD100 is equipped with an intuitive operation panel and status prompts for convenient and quick installation and layout. Unlike conventional phase rangefinders, this product can support measurement frequencies up to 1000Hz, making it particularly suitable for precise positioning and measurement of high-speed moving objects. It is an essential sensor for automated warehousing, logistics, or driving systems.

Product Overview ▶

Essential information	
Product Name	Long distance laser rangefinder Ld100
model	DS80 DS120 DS200
Measurement characteristics	
Measurement range	80m 120m 200m
Typical values of spot size	100mm 150mm 240mm (@80m) (@120m) (@200m)
Measurement accuracy	±2mm
Repetitive accuracy	1 mm
Measurement frequency	1000Hz
Measurement resolution	0.1mm
Maximum moving speed	15m/s
Photoelectric characteristic	
supply voltage	DC 9V...30V
Working current	0.2 A/12V DC
Laser light source	Red laser (visible light)
power waste	2.4W(MAX)
other	
Data transmission interface	SSI, Ethernet100BASE-TX0.2 A/12V DC
display	OLED screen (128 * 64 pixels)
network interface	M12/4-core/D-type female straight head
Power/SSD interface	M12/8-core/A-type male straight head
Ability to resist environmental light	≤100,000 lx
Protection level	Ip65
size	123*69.5*90(mm)
weight	600g (excluding wires)

Product size ▶



Grating displacement sensor



GFJ grating displacement sensor ▶

Performance characteristics

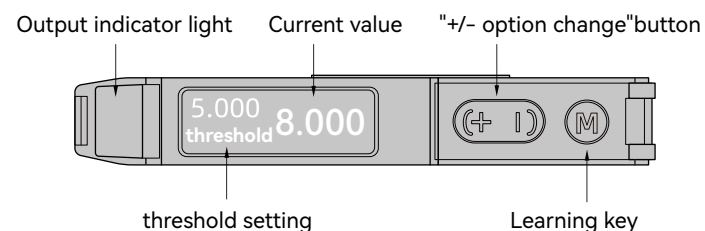
- Working temperature: -10~40 °C
 - Humidity: ≤ 80% RH
 - Absolute measurement (using grating absolute encoding)
 - Waterproof: IP65
- Port output description: RS485

model	measuring range (mm)	Full process accuracy	resolution	d (mm)	f (mm)	Waterproof grade
GFJ-HA	0-12.7	≤10μm	5μm	68.2	36	IP65
GFJ-KA		±2μm	1μm			
GFJ-WA		≤2μm	0.5μm			
GFJ-GWA		≤1.4μm	0.2μm			
GFJ-HB	0-25.4	≤10μm	5μm	99.1	55	
GFJ-KB		±3μm	1μm			
GFJ-WB		≤3μm	0.5μm			
GFJ-GWB		≤1.8μm	0.2μm			

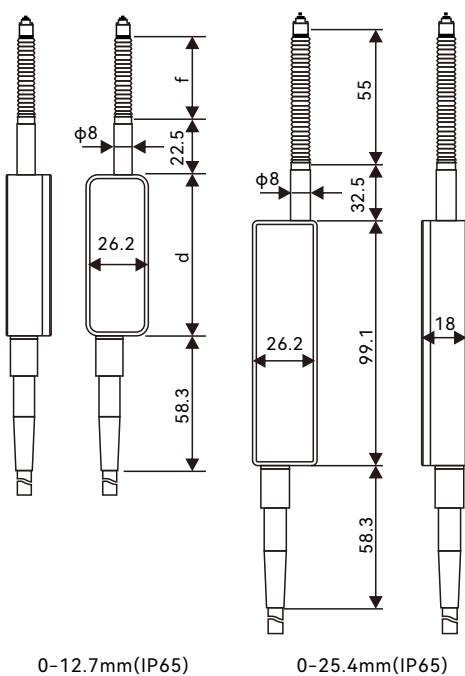
H represents percentage, K represents thousand, W represents ten thousand, and GW represents high-precision ten thousand
 A represents a measurement range of 12.7mm, B represents a measurement range of 25.4mm

Controller model: GFJ-01

Controller output description:
 IO output
 485 output
 Analog output (0-5V/4-20mA)



Product size



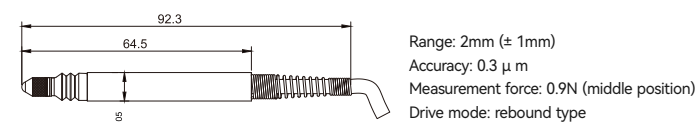
Performance characteristics

- Working temperature: -10~40 °C
- Humidity: ≤ 80% RH
- Absolute measurement (using grating absolute encoding)
- Waterproof: IP65
- Comes with upper and lower tolerance outputs (PNP)

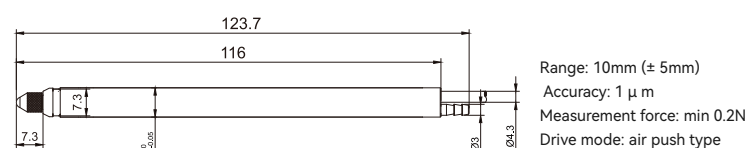
Port output description: RS485
 I/O: 2PNP

Inductive displacement model size

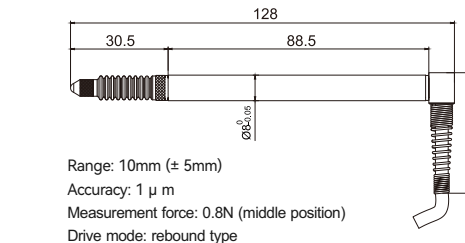
- GFK/W-02 2mm rebound sensor



- GFK/W-10L 10mm air push sensor



- GFK/W-05S 5mm rebound sensor (side outlet)



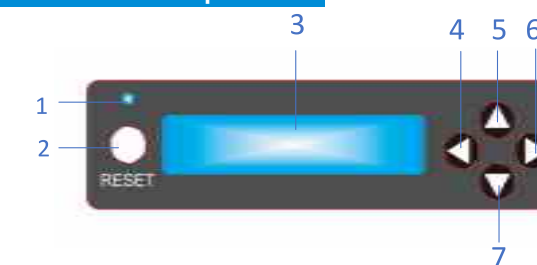
Digital integrated displacement sensor

GFK (thousandth)

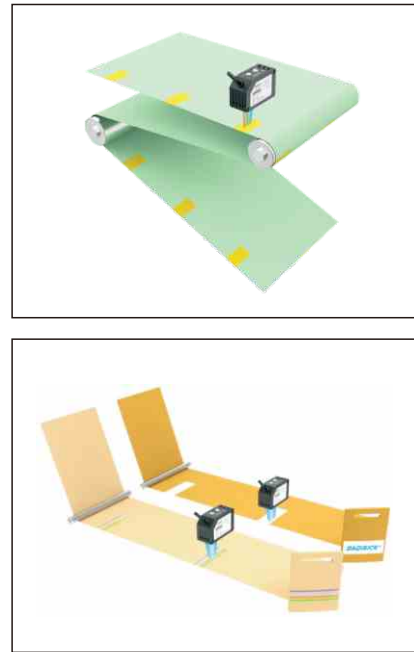
GFW (Ten Thousand Bit)

product type	GFK series	GFW series
Percentile	Thousandth	Ten thousand positions
Can be paired with sensor range	Rebound 2mm/5mm/10mm/ Pneumatic 10mm, spring type, etc	
resolving power	0.1um	
Repetitive accuracy	< 1um	
Supply voltage	DC12V	
working temperature	-10~60°C	
Storage temperature	-20~70°C	
Product size	90x23x21(mm)	
Line length	2m+1m (output line 1m)	
Installation form	Standard DIN rail	
remarks	Need to match sensors with other ranges, communicate with sales in advance	

Panel Description



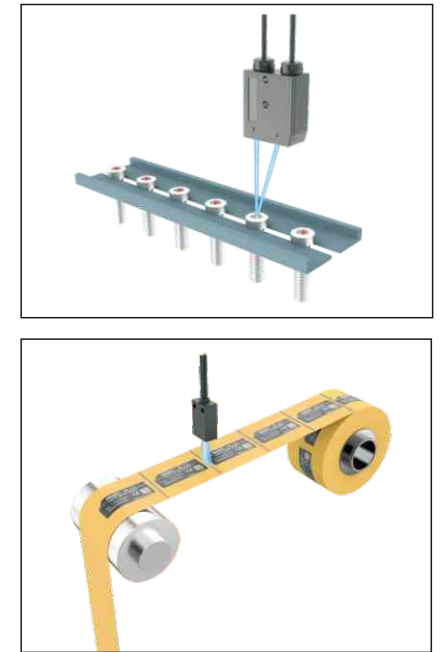
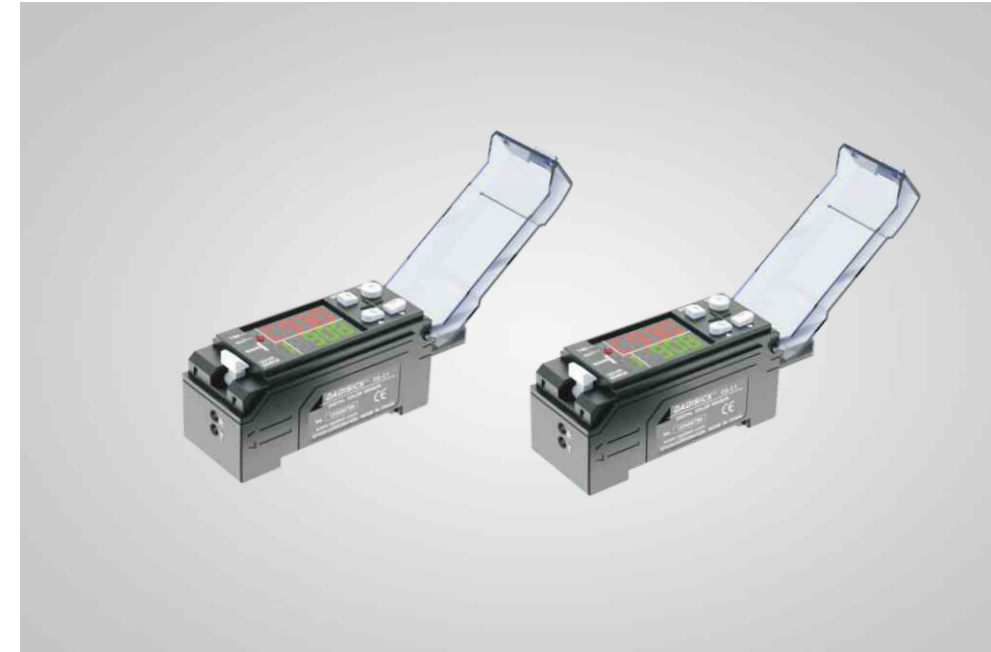
- Status light: displays the detection status
- RESET button: Sensor data reset/upper and lower tolerance and correction value settings save/measurement function switch
- Data Window: Display measured or set values (unit: um)
- Left arrow key: Set the digit to move left/activate the out of tolerance buzzer alarm
- Up key: Up tolerance setting mode/tolerance increment, increasing by 1 each time
- Right arrow key: Set digital shift to the right/disable out of tolerance buzzer alarm
- Down key: Lower tolerance setting mode/Decrease tolerance by 1 each time



- The size is 1.5 * 7 linear spot, suitable for detection in different application environments;
- The detection distance is 28mm, which is 2-3 times the detection distance of similar color code sensors;
- High anti shake performance by adjusting accuracy to eliminate the impact of shake on the detected object;
- Accurate identification and stable and reliable detection of object edges or critical positions of two different colors;
- Equipped with two detection modes of color and color code, the performance is greatly superior to ordinary color codes;
- Two point setup, simple and convenient, compact in size, suitable for installation in different spaces.

Integrated Color code sensor

Type	NPN	PNP
Model	GS-101N	GS-101P
Detection distance	18-28mm	
Supply voltage	24V DC± 10% pulsation P-P below 10%	
Power Consumption	Power below 850mW (power supply voltage 24V, current consumption below 35mA)	
Mode switching input	Color code mode Low (ON) 0-0.6V DC Outflow current below 0.5mA Input impedance of approximately 10k Ω	Low (OFF) 0-0.6V DC or open
	Color mode High (OFF) 12 to +24V DC or open	High (ON) 12~+24V DC Outflow current below 3mA Input impedance of approximately 10k Ω
Output	NPN open collector transistor · Maximum inflow current 50mA · Applied voltage below 30V DC (between output and 0V) · Remaining voltage below 1.5V (when inflow current is 50mA)*	PNP open collector transistor · Maximum inflow current 50mA · Applied voltage below 30V DC (between output and +V) · Remaining voltage below 1.5V (when the outflow current is 50mA)*
Output operation	Color code mode	ON during color code detection
	Color mode	ON when consistent
Short circuit protection	Equipped with (automatic recovery)	
Reaction time	Belows 200μs	
Ambient temperature	-10~+55 °C, no freezing, no condensation	
Environmental humidity	35 to 85% RH, no condensation	
Projection element	Composite LED: red/green/blue (Projection peak wavelength: 640nm/525nm/470nm)	
Material quality	Shell: PBT/Operation panel: PC/Operation buttons: Silicone/Lens: PC	
Cable	0.2mm ² 4-core rubber cable, standard length 2m Brown: +V/Black: Output/Pink: Mode transition Input/Blue: 0V	
Weight	Approximately 104g	



- Accurate identification of subtle color differences;
- 4 channel design, saving space and cost;
- Accurately recognize over 1000 colors;
- Suitable for detecting self luminous objects.

Digital RGB color sensor


model	GS-C1	GS-C1P
Light source	Red LED, green LED, blue LED	Red LED, green LED, blue LED
Reaction time	200μs(HPS)/1ms(FINE)	200μs(HPS)/1ms(FINE)
Ambient temperature	-10°C~+55°C	-10°C~+55°C
Error value adjustment	Number display value setting	Number display value setting
Differential recognition mode	C mode/C+I mode/I mode	C mode/C+I mode/I mode
Control output	NPN/PNP	NPN/PNP
Source	12-24V DC	12-24V DC
Output	NPN/PNP	NPN/PNP
Mode weight	Approximately 170g	Approximately 170g

Type	Small and adjustable	Small adjustable side view	Long inspection distance	Short inspection distance	Small light spot	Regional beam points, reflective type	
Model	GB-C10	GB-C11	GB-C40	GB-C41	GB-C42	GB-C12	GB-C15
Exterior							
Detection distance	10-30mm	3-15mm	70± 20mm	16± 4mm	60± 10mm	5-20mm	5-10mm
Minimum light spot diameter	Φ0.9-3.5mm	Φ0.9-1.5mm	Φ6mm	Φ1mm	Φ2mm	-	1.5*7mm
Minimum bending diameter	R25mm		R15mm			R25mm	R25mm
Protection level	IP40		IP67			-	-
ambient temperature	-40~+70 °C, no condensation						

Ultrasonic sensor



Ultrasonic sensors have shown excellent performance in non-contact positioning and distance measurement applications. Not affected by color and shape, Not limited by the material of the tested target, it is widely used in industrial control automation scenarios




model	CSB12-120	CSB12-200	CSB18-300	CSB18-500	CSB18-1000	CSC18-1000	CSC30-2500
Detection scope	20-120mm	20-200mm	30-300mm	50-500mm	60-1000mm	60-1000mm	150-2500mm
Blind spot	20mm	20mm	30mm	50mm	60mm	150mm	150mm
resolving power	0.1mm	0.1mm	0.1mm	0.15mm	0.17mm	0.2-0.5mm	0.2-0.5mm
Repetitive accuracy	±0.15%	±0.15%	±0.15%	±0.15%	±0.15%	±0.15%	±0.15%
Launch Exit	Straight head	Straight head	Straight head/ elbow	Straight head/ elbow	Straight head/ elbow	Straight head/ elbow	Straight head/ flange



model	CSB30-2000	CSB30-4000	CSB30-6000	CSR-2000	CSR-3000	CSDB series
Detection scope	100-2000mm	200-4000mm	350-6000mm	100-2000mm	150-3000mm	150-3000mm
Blind spot	100mm	200mm	350mm	100mm	150mm	5mm
resolving power	0.17-0.5mm	0.17-1.5mm	0.17-2.5mm	0.17mm	0.17mm	/
Repetitive accuracy	±0.15%	±0.15%	±0.15%	/	/	/
Launch Exit	Straight head	Straight head	Straight head	plastic	plastic	Groove type

- Supports standard Modbus communication protocol
- Provide 485 communication and switch output



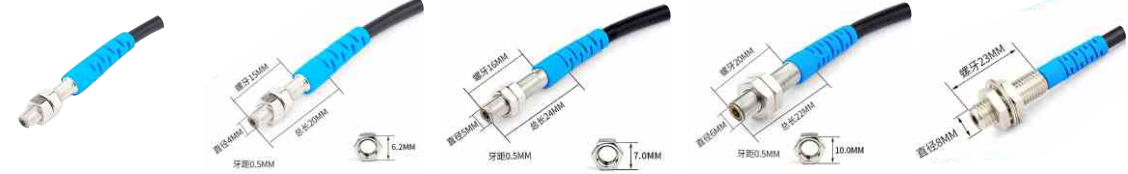
model	CSDA12-40	CSDA18-60	CSDA30-100
Detection scope	20-40mm	20-60mm	30-100mm
Launch Exit	Straight head	Straight head	Straight head

Photoelectric sensor




- Provide multiple models, thin, square, cylindrical, transparent, and background
- Free switching between light in action (L.on) and shading action (D.on)
- The metal shell is sturdy and durable, while the plastic shell is economical and easy to install
- Short circuit protection and reverse polarity protection function
- The maximum switching frequency can reach 5000Hz

cylindrical Photoelectric sensor



model	GM03-04N/P	GM04-07N/P	GM05-13N/P	GM06-20N/P	GM08-20N/P
Installation method	diffuse reflection	diffuse reflection	diffuse reflection	diffuse reflection	diffuse reflection
Sensing distance	04cm	07cm	13cm	20cm	20cm
response time	Below 5ms	Below 5ms	Below 5ms	Below 5ms	Below 5ms
working voltage	10~24V DC±10	10~24V DC±10	10~24V DC±10	10~24V DC±10	10~24V DC±10
Control output	NPN/PNP	NPN/PNP	NPN/PNP	NPN/PNP	NPN/PNP
Flare Type	Invisible red light	Invisible red light	Invisible red light	Invisible red light	Invisible red light

cylindrical Photoelectric sensor



model	GM12-**N/P	GM18-**N/P	GM12_**N/P	GM18-**N/P	GM18-**N/P	GMP18-10N/P	GMP18-40N/P
Installation method	diffuse reflection	diffuse reflection	Contra ejaulation	Contra ejaulation	Specular reflection	diffuse reflection	diffuse reflection
Sensing distance	30cm	30/50/100cm	200/500cm	500/1500cm	200/300cm	10cm	40m
Response time	< 0.8ms	< 0.8ms	< 0.8ms	< 0.8ms	< 0.8ms	< 0.8ms	< 0.8ms
Working voltage	10-30V DC	10-30V DC	10-30V DC	10-30V DC	10-30V DC	10-30V DC	10-30V DC
Control output	NPN/PNP	NPN/PNP	NPN/PNP	NPN/PNP	NPN/PNP	NPN/PNP	NPN/PNP
Entry cable	2M/4-core cable	2M/4-core cable	2M/4-core cable	2M/4-core cable	2M/4-core cable	2M/4-core cable	2M/4-core cable

Photoelectric sensor

Background suppression type Photoelectric sensor



model	GB43-10N/P	GB43-30N/P	GFL43-30N/P	GB45-30N-ZAA
Installation method	Diffuse reflection photoelectric sensor	Diffuse reflection photoelectric sensor	Diffuse reflection photoelectric sensor	Diffuse reflection photoelectric sensor
Detection distance	30-100mm(Adjustable)	30-300mm(Adjustable)	30-300mm(Adjustable)	25-300mm(Adjustable)
response time	5ms	5ms	5ms	1ms
working voltage	10-30V DC	10-30V DC	10-30V DC	10-30V DC
Protection level	IP65	IP65	IP65	IP65
light source	Visible LED red light	Visible LED red light	Visible LED red light	Visible LED red light

Background suppression type Photoelectric sensor



model	GB41-30N/P	GB42-20N/P	GB43-100N/P-ZAA
Installation method	diffuse reflection	diffuse reflection	diffuse reflection
Detection distance	1-30cm	1-20cm	3-15cm
Response time	≤0.5ms	< 2ms	< 2ms
Working voltage	10-30V DC	10-30V DC	10-30V DC
Control output	NPN/PNP	NPN/PNP	NPN/PNP
Protection level	IP67	IP65	IP64

Universal square Photoelectric sensor



model	GF18-50N-ZAA	GF18-150N-ZAA	GF18-400N-ZCA	GF18-1500N-ZBA
Installation method	diffuse reflection	diffuse reflection	Specular reflection	Contra ejaculation
Sensing distance	50cm	150cm	400cm	1500cm
Response time	1ms	1ms	1ms	1ms
Working voltage	10-30V DC	10-30V DC	10-30V DC	10-30V DC
Control output	NPN/PNP	NPN/PNP	NPN/PNP	NPN/PNP
Light source	Red LED 623nm	2M/3-core cable	2M/3-core cable	2M/3-core cable

Photoelectric sensor

Universal square Photoelectric sensor



model	GF21-150	GF20-30N-ZAA	GF20-500N-ZBA	GF20-20N-ZCA	GF20-20N-ZCA	GF20-20N-ZCA
Installation method	Contra ejaculation	diffuse reflection	Contra ejaculation	Specular reflection	Specular reflection	Specular reflection
Sensing distance	150cm	30cm	150cm	20cm φ10mm/20cm	200cm φ50mm/2m	300cm φ90mm/3m
Response time	< 1ms	1ms	1ms	1ms	1ms	1ms
Working voltage	12-24V DC	10-30V DC	10-30V DC	10-30V DC	10-30V DC	10-30V DC
Control output	NPN/PNP	NPN/PNP	NPN/PNP	NPN/PNP	NPN/PNP	NPN/PNP
Light source	InfraredLED(940nm)	Red LED (623nm)	Red LED (623nm)	Red LED (623nm)	Red LED (623nm)	Red LED (623nm)

Flat shape Photoelectric sensor



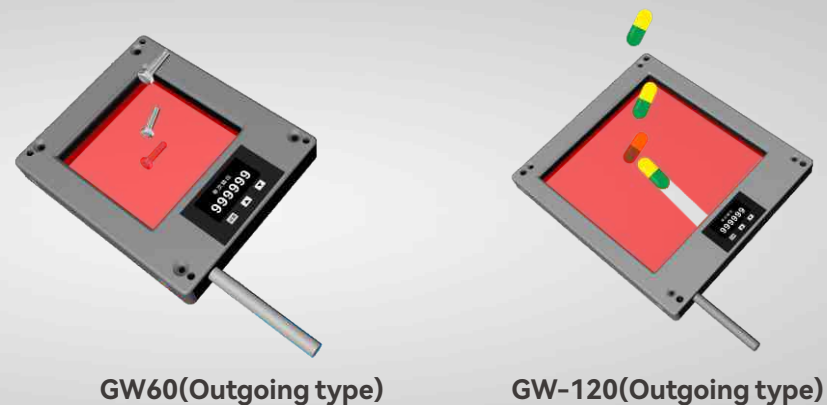
model	GP30-40N/P	GP31-40N/P
Installation method	diffuse reflection	diffuse reflection
Detection surface	front	side
Detection distance	40mm(White paper)	40mm(White paper)
Response time	< 1ms	< 1ms
Working voltage	12-24V DC	12-24V DC
Control output	NPN/PNP	NPN/PNP
Light source	Infrared LED (940nm)	Infrared LED (940nm)

Micro type Photoelectric sensor



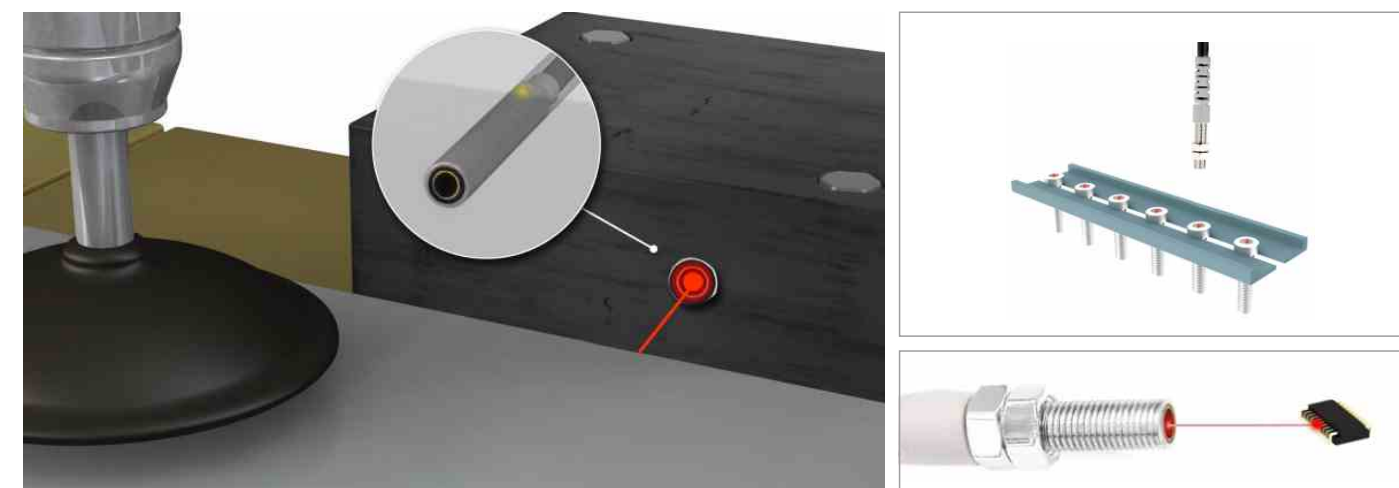
model	GSB-12N/P	GFS42-GT51N/P	GP13-D03N/P-ZAA	GP13-D30N/P-ZBA	GP13-L30N/P-ZAA
Installation method	Diffuse reflection, background suppression function	Contra ejaculation	Front detection	Frontal shooting	Side shooting
Detection distance	0.2-15cm	200cm	0.2-3cm	30cm/50cm	30cm/50cm
Response time	≤0.6ms	1ms	< 1ms	< 1ms	< 1ms
Working voltage	12-24V DC	12-24V DC	12-24V DC	12-24V DC	12-24V DC
Control output	NPN/PNP	NPN/PNP	NPN/PNP	NPN/PNP	NPN/PNP
Protection level	IP64	IP65	IP64	IP64	IP64

Window optoelectronics



- Can detect small objects.
- Detection of material drop through positional deviation. Can detect copper wires, small hardware components, electronic components such as screws and nuts, small pills, and small accessories.
- It can be equipped with a high-speed Chinese amplifier for use, with good stability and fast response speed.

model	GW-60(Outgoing type)	GW-120(Outgoing type)
window	60x60mm	120x120mm
source	12-24V DC ±10%	12-24V DC ±10%
ambient temperature	-25°C~+55°C	-15°C~+55°C
light source	Infrared 940nm	Infrared LED
sensitivity	5-speed adjustable	1 turn rotary trimmer
reaction time	< 900us	≤10ms
Output mode	NPN/PNP	NPN/PNP



- Provide multiple models, including thin, square, cylindrical, transparent testing, background suppression, etc
- Free switching between light in action (Lon) and shading action (D.on)
- The metal shell is sturdy and durable, while the plastic shell is economical and easy to install
- Short circuit protection and reverse polarity protection function
- The maximum switching frequency can reach 5000Hz

Diffuse reflection type Laser sensor



model	GL03-**-N/P	GL04-**-N/P	GL05-**-N/P	GL06-**-N/P	L08-**-N/P	GL12-**-N/P	GL18-**-N/P
Sensing distance	30/40mm	50/70mm	100/130mm	150/200mm	150/200mm	100/200mm	300/500mm
Spot size	1.5/2mm Small light spot	1.5/2mm Small light spot	1.5/2mm Small light spot	1.5/2mm Small light spot	1.5/2mm Small light spot	1.5/2mm Small light spot	1.5/2mm Small light spot
working voltage	10-30V DC	10-30V DC	10-30V DC	10-30V DC	10-30V DC	10-30V DC	10-30V DC
Response time	5ms	5ms	5ms	5ms	5ms	5ms	5ms
Light source	Visible red light 660nm	Visible red light 660nm	Visible red light 660nm	Visible red light 660nm	Visible red light 660nm	Visible red light 660nm	Visible red light 660nm
Protection level	IP65	IP65	IP65	IP65	IP65	IP65	IP65

Antipodal type Laser sensor



model	GL03-200N/P	GL04-200N/P	GL05-200N/P	GL06-200N/P	GL08-200N/P	GL12-300N/P	GL18-300N/P
Sensing distance	20mm	20mm	20mm	20mm	20mm	30mm	30mm
Spot size	1.5/2mm Small light spot	1.5/2mm Small light spot	1.5/2mm Small light spot	1.5/2mm Small light spot	1.5/2mm Small light spot	1.5/2mm Small light spot	1.5/2mm Small light spot
working voltage	10-30V DC	10-30V DC	10-30V DC	10-30V DC	10-30V DC	10-30V DC	10-30V DC
Response time	5ms	5ms	5ms	5ms	5ms	5ms	5ms
Light source	Visible red light 660nm	Visible red light 660nm	Visible red light 660nm	Visible red light 660nm	Visible red light 660nm	Visible red light 660nm	Visible red light 660nm
Protection level	IP65	IP65	IP65	IP65	IP65	IP65	IP65

Note: ** Detection distance

Pipeline liquid level sensor



- Suitable for a wide range of pipe diameters
- The built-in amplifier saves installation space.
- The penetration strength can be adjusted according to the wall thickness of the pipeline.
- Tie ties to the pipeline for easy installation.
- A liquid level sensor that is not affected by the color of pipeline liquids and can detect various types of liquids.

model	GY-15 series	GY-30 series
Applicable pipeline outer diameter	Wall thickness below 1.5mm Φ6~Φ13mm	Wall thickness below 2mm Φ14~Φ26mm
Repetitive distance accuracy	Below ±0.2mm	Below ±0.2mm
Detectable objects	liquid	liquid
Stress difference	0.6~5mm	0.6~5mm
supply voltage	10-30V	10-30V
Switching capacity	12mA以下/100mA以下	12mA以下/100mA以下
Protection level	IP66	IP66

Background suppression shape Laser sensor



model	GBL-ZL70N/P	GBL-ZL30N/P	GBL-ZL10N/P
type	Long distance type	Long distance type	Short distance type
Detection method	diffuse reflection	diffuse reflection	diffuse reflection
Spot size	Φ6mm/200mm	Φ1.5mm/200mm	Φ1mm/100mm
Detection distance	100-700mm	10-300mm	20-100mm
response time	0.7ms	0.7ms	0.7ms
light source	Laser 650nm	Laser 650nm	Laser 650nm
Protection level	Ip67	Ip67	Ip67

Proximity sensors



- Non contact detection, no wear, high reliability High sensitivity, high repeatability, and product lifespan of up to 8 years Multiple shell materials, from stainless steel, copper alloy to plastic, with a wide range of Teflon coatings
- Complete specifications and sizes almost cover all sizes IP67 protection level
- design, excellent water and oil resistance performance

Cable type Proximity switch



Installation method	Embedding (A)				Embedding (A)			
mode	LR03-**-	LR04-**-	LR6.5-**-	LR05-**-	LR08-**-	LR12-**-	LR18-**-	LR30-**-
specifications	Φ3	Φ4	Φ6.5	M5	M8	M12	M18	M30
Detection distance (mm)	0.6/0.8/1.0	0.8/1.0/1.2/1.5	1.0/2.0/3.0	0.8/1.0/1.2/1.5	1.0/2.0/3.0	2.0/4.0/6.0	5.0/8.0/12	10/16/22
Installation method	Non embedded (B)				Non embedded (B)			
model	LR6.5-**-			LR08-**-	LR12-**-	LR18-**-	LR30-**-	
specifications	Φ6.5			M8	M12	M18	M30	
Detection distance (mm)	2.0/4.0/6.0			2.0/4.0/6.0	4.0/8.0/12	8.0/12/16	15/25/40	
material quality	Stainless steel				Nickel copper alloy			

Note: ** Detection distance

Plug-in type Proximity switch



Installation method	Embedding (A)				Non embedded (B)			
model	LR08-1.5	LR12-02	LR18-05	LR30-10	LR6.5-02	LR08-02	LR18-08	LR30-15
specifications	M8	M12	M18	M30	M8	M12	M18	M30
Detection distance	1.5mm	2mm/4mm	5mm	10mm	2mm	4mm	8mm	15mm
material quality	Stainless steel	Nickel copper alloy			Stainless steel	Nickel copper alloy		
working voltage	10~30V DC(Ripple<10%)							
Repetitive accuracy	<1.0%(Sr)				<5.0%(Sr)			<1.0%(Sr)

Inductive Tiny square



Installation method	Non embedded (B)	Non embedded (B)	Non embedded (B)	Non embedded (B)
model	LE06-01NO-ZBA	LE07-01NO-ZBA	LE08-2.5NO-ZBA LE08-03NO-ZBA	LE09-2.5NO-ZBA LE09-03NO-ZBA
specifications	E06	E07	E08	E09
Detection distance	1mm	1mm	2.5mm/3mm	2.5mm/3mm
material quality	plastic			
working voltage	10~30V DC(Ripple<10%)			
Repetitive accuracy	<5.0%(Sr)		<1.0%(Sr)	

Inductive Standard square



Installation method	Non embedded (B)	Non embedded (B)	Non embedded (B)	Non embedded (B)
model	LE10-2.5NO-ZBA LE10-04NO-ZBA	LE12-04NO-ZBA	LE15-05NO-ZBA LE15-08NO-ZBA	LE16-05NO-ZBA LE16-08NO-ZBA
specifications	E10	E12	E15	E16
Detection distance	2.5mm/4mm	4mm	5mm/8mm	5mm/8mm
material quality	plastic			
working voltage	10~30V DC(Ripple<10%)			
Repetitive accuracy	<5.0%(Sr)		<1.0%(Sr)	

Inductive Standard square



Installation method	Embedding (A)	Non embedded (B)	Embedding (A)	Non embedded (B)	Embedding (A)	Non embedded (B)
model	LQ17-05NO-ZAA	LQ17-08NO-ZBA	LQ18-05NO-ZAA	LQ18-08NO-ZBA	LQ18M-05NO-ZAA	LQ18M-08NO-ZBA
specifications	Q17		Q18		Q18M	
Detection distance	5mm	8mm	5mm	8mm	5mm	8mm
material quality	plastic					
working voltage	10~30V DC					
Residual voltage	<1.5V					
Repetitive accuracy	<5.0%(Sr)			<1.0%(Sr)		

DC two wire cylindrical



Installation method		Embedding (A)			
mode	LR08-**-HO-ZAA	LR12-**-HO-ZAA	LR18-**-HO-ZAA	LR30-**-HO-ZAA	
specifications	M8	M12	M18	M30	
Detection distance	1mm/2mm	2mm/3mm/4mm	5mm/7mm/8mm	10mm/16mm	
Installation method		Non embedded (B)			
model	LR08-**-HO-ZBA	LR12-**-HO-ZBA	LR18-**-HO-ZBA	LR30-**-HO-ZBA	
specifications	M8	M12	M18	M30	
Detection distance	2mm/3.5mm	4mm/6mm/8mm	8mm/12mm/16mm	15mm/25mm	
material quality	Nickel copper alloy				
working voltage	10~30V DC(Ripple<10%)				

Note: ** Detection distance

DC two wire cylindrical



Installation method		埋入(A)			
mode	LR12-**-AO-ZAA	LR12-**-AO-YAA	LR18-**-AO-ZAA	LR30-**-AO-ZAA	
specifications	M12	M12	M18	M30	
Detection distance	2mm/4mm	2mm/4mm	5mm/8mm	10mm/16mm	
Installation method		非埋入(B)			
model	LR12-**-AO-ZBA	LR12-**-AO-YBA	LR18-**-AO-ZBA	LR30-**-AO-ZBA	
specifications	M12	M12	M18	M30	
Detection distance	4mm/8mm	4mm/8mm	8mm/16mm	15mm/25mm	
material quality	Nickel copper alloy				
working voltage	20~250VAC				
No load current	< 1.8mA				

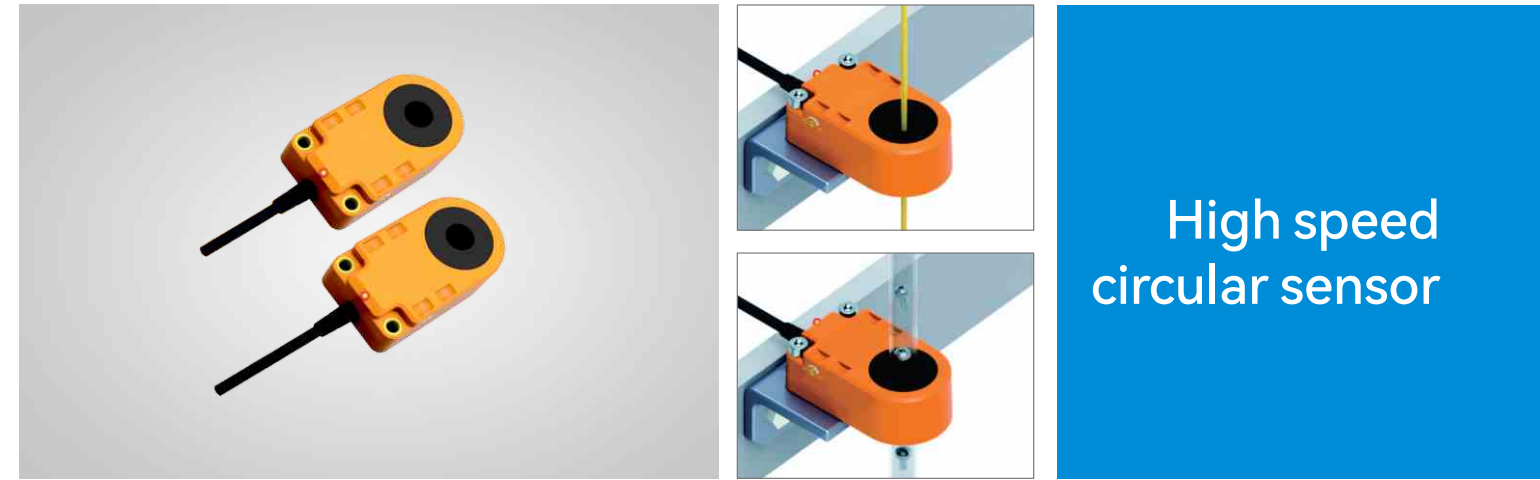
Note: ** Detection distance

Capacitive standard cylindrical



Installation method		埋入(A)		非埋入(B)			埋入(A)
model	CK12-**-	CK18-**-	CK30-**-	CK12-**-	CK18-**-	CK30-**-	CF18-**-
specifications	M12	M18	M30	M12	M18	M30	M18
Detection distance	2.0/3.0(Adjustable)	5.0/8.0(Adjustable)	10/20(Adjustable)	4.0/6.0(Adjustable)	8.0/15(Adjustable)	15/30(Adjustable)	10(Adjustable)
material quality	PBT						
working voltage	10~30V DC(Ripple<10%)						12~24V DC
Residual voltage	<2V						
Maximum load current	150mA	300mA		150mA	300mA		100mA
Repeating accuracy	<5.0%(Sr)						
switching frequency	100Hz						

Note: ** Detection distance



model	LR-D03-NO	LR-D05-NO	LR-D06-NO	LR-D08-NO	LR-D10-NO
aperture diameter	3mm	5mm	6mm	8mm	10mm
Minimum detection object	0.5mm	0.8mm	1mm	1.5mm	2mm
Kong Gao	20mm	20mm	20mm	20mm	20mm
Shell material	ABS	ABS	ABS	ABS	ABS
working voltage	10-30V DC	10-30V DC	10-30V DC	10-30V DC	10-30V DC
Detecting objects	Magnetic metal	Magnetic metal	Magnetic metal	Magnetic metal	Magnetic metal
Repetitive accuracy	<2.0%(Sr)	<2.0%(Sr)	<2.0%(Sr)	<2.0%(Sr)	<2.0%(Sr)
Detection method	Free fall/air blowing	Free fall/air blowing	Free fall/air blowing	Free fall/air blowing	Free fall/air blowing



model	LR-D12-NO	LR-D15-NO	LR-D19-NO	LR-D22-NO	LR-D25-NO
aperture diameter	12mm	15mm	19mm	22mm	25mm
Minimum detection object	2.5mm	3.5mm	5.5mm	6.5mm	7.5mm
Kong Gao	20mm	20mm	20mm	20mm	20mm
Shell material	ABS	ABS	ABS	ABS	ABS
working voltage	10-30V DC	10-30V DC	10-30V DC	10-30V DC	10-30V DC
Detecting objects	Magnetic metal	Magnetic metal	Magnetic metal	Magnetic metal	Magnetic metal
Repetitive accuracy	<2.0%(Sr)	<2.0%(Sr)	<2.0%(Sr)	<2.0%(Sr)	<2.0%(Sr)
Detection method	Free fall/air blowing	Free fall/air blowing	Free fall/air blowing	Free fall/air blowing	Free fall/air blowing

Proximity sensors



- The amplifier is separated from the sensing head;
- The sensing head has a fineness of 2.8mm;
- Not limited by installation location and space;
- The detection distance is the same as that of traditional proximity sensors More than twice
- The maximum detection distance can reach 7mm.

model	DP-L1/DP-L1P; DP-L2/DP-L2P
source	12-24V DC
Current/Power	Maximum 25mA
ambient temperature	-0°C~+55°C
sensitivity modulation	25 turn knob type regulator
Operation mode	NO/NC selectable switch
reaction time	Maximum 1ms
weight	Approximately 65g

type	Embedded type							
	Cylindrical shape			Threaded type	Ultra thin type	thin type	Oil resistant type	
model	LL-302	LL-305	LL-308	LL-110	LL-114	LL-605	LL-614	LL-108
exterior								
Stable detection range	0-0.6mm	0-1mm	0-2mm	0-5mm	0-1mm	0-5mm	0-1.5mm	

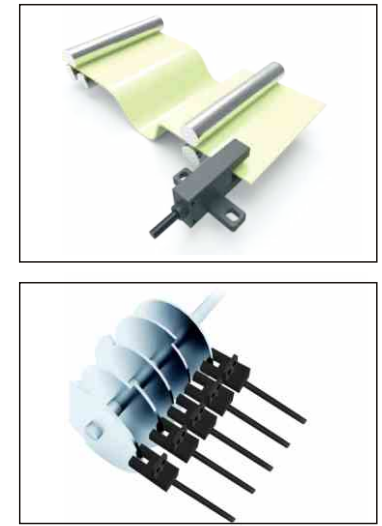
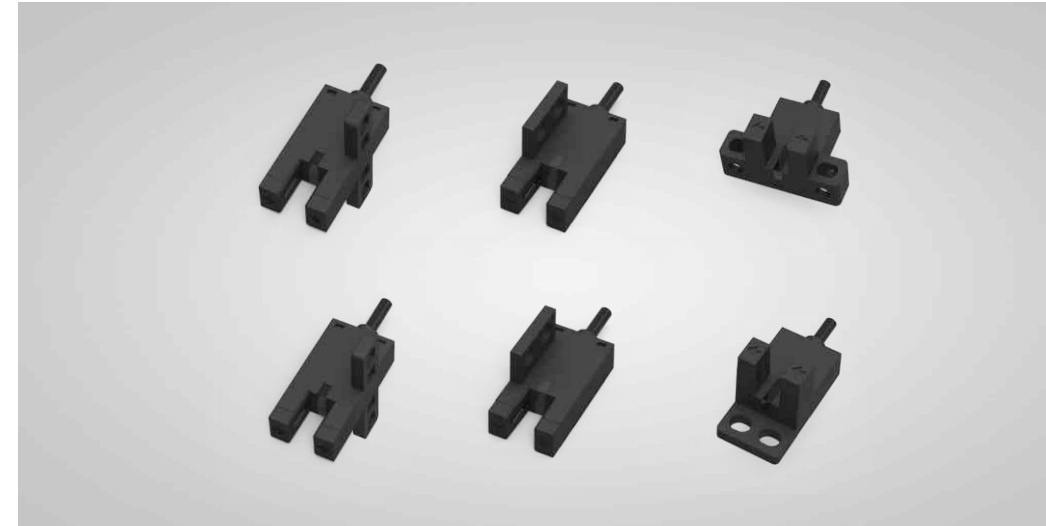
type	Embedded type			Non embedded type	
	Cylindrical shape	Threaded type	Cylindrical shape		
model	LL-305S	LL-308S	LL-110S	LL-402-ZBA	LL-422-ZBA
exterior					
Stable detection range	0-1mm	0-2mm	0-3mm	0-9mm	

Identification of non-ferrous metals



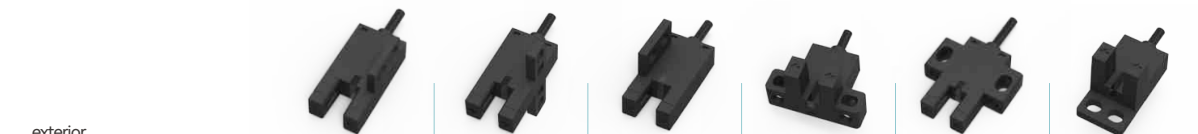
- One click setting, convenient and fast;
- Long distance detection and small sensing heads;
- Multiple sizes of sensing heads are available for selection: $\Phi 5.4\text{mm}$ 、 $\Phi 8$ and M10....
- Non ferrous metals such as aluminum can be detected over long distances;
- Wire breakage alarm output;

type	Embedded type			
	Sensing head	LS-T305	LS-T308	LS-T110
model	exterior			
	amplifier	DPS-F1/DPS-F1P		
Detection distance	0-1.0mm		0-2.0mm	
Detectable objects	Nonferrous metals			



- The product line is rich, with slot widths ranging from 5mm to 120mm.
- The micro groove series products can perfectly replace well-known brand products.
- There are outlet type and plug-in type, with multiple appearances to choose from.
- Normally open/normally closed output for easy wiring.
- Customized development can be carried out according to customer needs, such as oil resistance and drag chain requirements.

series	exterior	type	Slot width	model		
				When an object is detected	NPN NO&NC	PNP NO&NC
Groove shape Z type: outgoing type Y type: plug-in type		81 type	5mm	Lights up when an object is detected	U581NL-Z/Y type	U581PL-Z/Y type
				The light goes out when an object is detected	U581NY-Z/Y type	U581NY-Z/Y type
		82 type	5mm	Lights up when an object is detected	U582NL-Z/Y type	U582NL-Z/Y type
				The light goes out when an object is detected	U582NY-Z/Y type	U582NY-Z/Y type
		83 type	5mm	Lights up when an object is detected	U583NL-Z/Y type	U583NL-Z/Y type
				The light goes out when an object is detected	U583NY-Z/Y type	U583NY-Z/Y type
		84 type	5mm	Lights up when an object is detected	U584NL-Z/Y type	U584NL-Z/Y type
				The light goes out when an object is detected	U584NY-Z/Y type	U584NY-Z/Y type
		85 type	5mm	Lights up when an object is detected	U585NL-Z/Y type	U585NL-Z/Y type
				The light goes out when an object is detected	U585NY-Z/Y type	U585NY-Z/Y type
		86 type	5mm	Lights up when an object is detected	U586NL-Z/Y type	U586NL-Z/Y type
				The light goes out when an object is detected	U586NY-Z/Y type	U586NY-Z/Y type



exterior	
type	81 type 82 type 83 type 84 type 85 type 86 type
model	U581□□-Y/Z U582□□-Y/Z U583□□-Y/Z U584□□-Y/Z U585□□-Y/Z U586□□-Y/Z
The NPN detection object light is on	NL
Detection object light off	NY
PNP object detection light on	PL
Detection object light off	PY
Detection distance	5mm (slot width)
Standard test substance	2 * 1.8mm opaque object
Repetitive accuracy	Below 0.03mm
Output mode	NPN or PNP collector open circuit
Switching mode	L. On (in light action)/D.on (shading action) can be switched
Indicator light	Red LED
Response frequency	3KHz
response time	≤ 0.3 milliseconds
light source	Infrared LED (940nm)
working voltage	5-24V DC



- The fiber optic amplifier comes with automatic light compensation technology, effectively ensuring the stability of detection
- The specifications of fiber optic components are complete, perfectly realizing the full range replacement of mainstream models in the market
- Customized development can be carried out according to the on-site needs of users
- Abundant inventory, quick response, and fast delivery



model	PG-E31/PG-E31P	PG-E31C/PG-E31CP
connect	cable	M8
light source	650nm red light-emitting diode source	650nm red light-emitting diode source
reaction time	NPN/PNP	NPN/PNP
Control output	50μs/250μs/1ms/16ms	50μs/250μs/1ms/16ms
supply voltage	12-24V DC	12-24V DC
ambient temperature	-20°C~+55°C	-20°C~+55°C
Dimensions (H x W x D)	30.3x9.8x71.8mm	30.3x9.8x71.8mm

model	PG-31N	PG-31P
connect	cable	M8
light source	Red, 4-element light-emitting diode	650nm red light-emitting diode source
reaction time	P-1: Less than 100us P-2: Less than 200us	P-1: Less than 100us P-2: Less than 200u
Consumption current	Less than 40mA	Less than 40mA
supply voltage	12-24V DC	12-24V DC
ambient temperature	-20°C~+55°C	-20°C~+55°C
Dimensions (H x W x D)	30.3x9.8x71.8mm	30.3x9.8x71.8mm

Universal Diffuse Reflective Fiber Optic Element

model	QR-R49Y	QR-R46	QR22-Q-I/S/M/L	QR-S32-Q	QR-32	QR-32-I/S/M/L
size	Φ1.5	Φ1.5	Φ2	Φ3	M3	M3
Minimum bending radius	R2	R10	R10	R10	R15	R15
Detection distance	20-100mm Increase or decrease depending on different amplifiers	8-30mm Increase or decrease depending on different amplifiers	15mm Increase or decrease depending on different amplifiers	40-120mm Increase or decrease depending on different amplifiers	35mm Increase or decrease depending on different amplifiers	35mm Increase or decrease depending on different amplifiers

model	QR-E32	QR32-I/S/M/L	QR-42	QR42-I/S/M/L	QR-62	QR-62-I/S/M/L
size	M3	M3	M4	M4	M6	M6
Minimum bending radius	R10	R10	R15	R15	R25	R25
Detection distance	5mm Increase or decrease depending on different amplifiers	10-30mm Increase or decrease depending on different amplifiers	90mm Increase or decrease depending on different amplifiers	45-110mm Increase or decrease depending on different amplifiers	100mm Increase or decrease depending on different amplifiers	150-350mm Increase or decrease depending on different amplifiers

model	QR-L35GA	QR-G45Y	QR-C310-35FA	QR-C310-35FA-I/S/M/L	QR-C42	QR-C42-I/S/M/L
size	M3	Φ0.82/3	M3	M3	M4	M4
Minimum bending radius	R2	R4	R15	R15	R15	R25
Detection distance	290mm Increase or decrease depending on different amplifiers	45mm Increase or decrease depending on different amplifiers	45mm Increase or decrease depending on different amplifiers	45mm Increase or decrease depending on different amplifiers	35mm Increase or decrease depending on different amplifiers	85-220mm Increase or decrease depending on different amplifiers

model	QR-C62	QR-C62-I/S/M/L	QR-32-DQ	QR-32-SQ	QR-W32-Q	QR-W48
size	M6	M6	Φ3	Φ3	Φ3	Φ3
Minimum bending radius	R25	R25	R25	R10	R1	R4
Detection distance	90mm Increase or decrease depending on different amplifiers	90mm Increase or decrease depending on different amplifiers	25mm Increase or decrease depending on different amplifiers	20mm Increase or decrease depending on different amplifiers	35mm Increase or decrease depending on different amplifiers	200mm Increase or decrease depending on different amplifiers

Universal Diffuse Reflective Fiber Optic Element



model	QR-W69Y	QR-W68
size	M3	M4
Minimum bending radius	R4	R4
Detection distance	100mm Increase or decrease depending on different amplifiers	200mm Increase or decrease depending on different amplifiers

Diffuse reflective light soldering element



model	QR-C32TZ	QR-C42TZ
size	M3	M4
Minimum bending radius	R5	R5
Detection distance	35mm Increase or decrease depending on different amplifiers	40mm Increase or decrease depending on different amplifiers

Universal opposed fiber optic components



model	QT-S31-Q	QT-31-Q-I/S/M/L	QT-32	QT-32-I/S/M/L	QT-42	QT-42-I/S/M/L
size	Φ3	Φ3	M3	M3	M4	M4
Minimum bending radius	R15	R15	R25	R25	R25	R25
Detection distance	140mm Increase or decrease depending on different amplifiers	140mm Increase or decrease depending on different amplifiers	600-1900mm Increase or decrease depending on different amplifiers	700-1900mm Increase or decrease depending on different amplifiers	600-2200mm Increase or decrease depending on different amplifiers	500mm Increase or decrease depending on different amplifiers



model	QT-62	QT-62-I/S/M/L	QT-C32T2	QT-C42T2
size	M6	M6	M3	M4
Minimum bending radius	R25	R25	R5	R15
Detection distance	1500mm Increase or decrease depending on different amplifiers	1200mm Increase or decrease depending on different amplifiers	500-1300mm Increase or decrease depending on different amplifiers	600mm Increase or decrease depending on different amplifiers

Opposing fiber optic components



model	QT-32-QO	QT-32-SQ	QT-W59	QT-W79	QT-R58V	QT-R59
size	Φ3	Φ2.5	Φ1.5	M3	Φ1.0	Φ1.5
Minimum bending radius	R25	R10	R4	R4	R4	R4
Detection distance	350mm Increase or decrease depending on different amplifiers	40mm Increase or decrease depending on different amplifiers	810mm Increase or decrease depending on different amplifiers	810mm Increase or decrease depending on different amplifiers	130-400mm Increase or decrease depending on different amplifiers	700mm Increase or decrease depending on different amplifiers



model	QT-S1520-Q	QT-G32
size	Φ1.5	Φ0.85/2.5
Minimum bending radius	R25	R25
Detection distance	110mm Increase or decrease depending on different amplifiers	40-100mm Increase or decrease depending on different amplifiers



Optical fiber focusing lens DX37	Optical fiber focusing lens DX47	Optical fiber focusing lens DX67	Optical fiber focusing lens DX-4H
Universal optical brazing: M3 threaded type Focus: Ø0.5 Detection distance: 20mm Working temperature: -50 °C --+70 °C	Universal optical brazing: M3 threaded type Focus: Ø0.5 Detection distance: 10mm Working temperature: -50 °C --+70 °C	Universal optical brazing: M3 threaded type Focus: Ø2.0 Detection distance: 30mm Working temperature: -50 °C --+70 °C	Universal optical brazing: M4 threaded type Focus: Ø8.0 Detection distance: 1500mm Working temperature: -50 °C --+70 °C

Diffuse reflection of regional matrix fiber optic components



model	QJD-10ML	QJD-15ML-D	QJD-20ML-S	QJD-20ML	QJD-25ML	QJD-30ML
size	Φ0.05	Φ0.05	Φ1.5	Φ0.05	Φ2	Φ4
Minimum bending radius	R25	R25	R25	R25	R25	R25
Detection distance	80-250mm Increase or decrease depending on different amplifiers	85-220mm Increase or decrease depending on different amplifiers	150-350mm Increase or decrease depending on different amplifiers	140-530mm Increase or decrease depending on different amplifiers	150-300mm Increase or decrease depending on different amplifiers	160-300mm Increase or decrease depending on different amplifiers

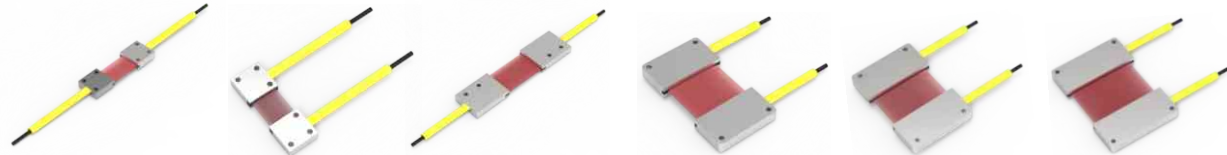
Optical brazing sensor

Diffuse reflection of regional matrix fiber optic components

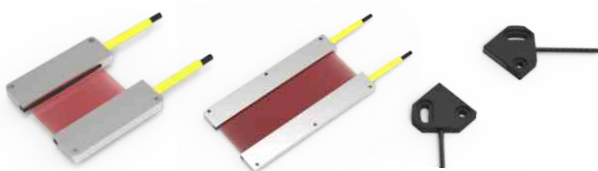


model	QJD-35ML	QJD-50ML	QJD-A10
size	Φ6	Φ10	Φ0.05
Minimum bending radius	R25	R25	R25
Detection distance	120-450mm Increase or decrease depending on different amplifiers	130-260mm Increase or decrease depending on different amplifiers	95-200mm Increase or decrease depending on different amplifiers

Area matrix type fiber optic element alignment



model	QJT-10ML	QJT-15ML-D	QJT-20ML	QJT-25ML	QJT-30ML	QJT-35ML
size	Φ01	Φ0.5	Φ0.5	/	/	/
Minimum bending radius	R25	R25	R25	R2	R25	R25
Detection distance	550-1500mm Increase or decrease depending on different amplifiers	550-1200mm Increase or decrease depending on different amplifiers	600-1500mm Increase or decrease depending on different amplifiers	600-1000mm Increase or decrease depending on different amplifiers	1000-3000mm Increase or decrease depending on different amplifiers	1000mm Increase or decrease depending on different amplifiers



model	QJT-50ML	QJT-120ML	QJT-A10
size	Φ5.0	Φ30	Φ0.05
Minimum bending radius	R25	R25	R25
Detection distance	600-1100mm Increase or decrease depending on different amplifiers	1200-4000mm Increase or decrease depending on different amplifiers	650-3000mm Increase or decrease depending on different amplifiers