

DADISICK®

Long distance laser rangefinder DS series



1

Product Introduction

DADISICK's new long-distance laser rangefinder DS series can achieve high-precision fixed-point measurement within 200 meters, with a ranging accuracy of up to $\pm 2\text{mm}$; the DS series is equipped with an intuitive operation panel and status prompts, which can be easily and quickly installed: Unlike conventional phase rangefinders, this product can support a measurement frequency of up to 1000Hz, so it is particularly suitable for precise positioning and measurement of high-speed moving objects, and is an essential sensor for automated warehousing, logistics or driving systems.



200m
Measuring
Distance



1000Hz
Measurement
frequency



2mm
Distance measurement
accuracy

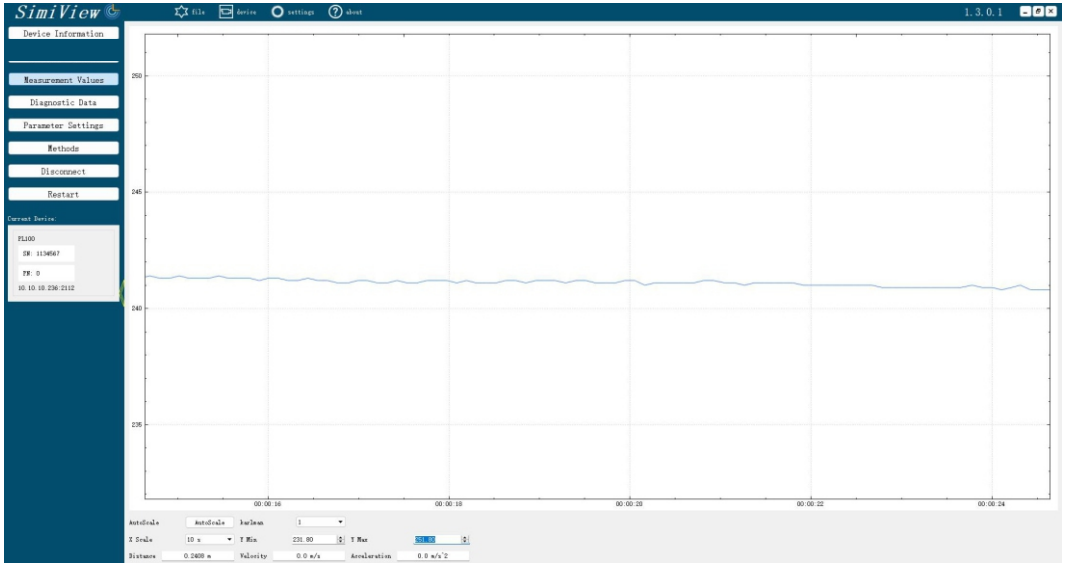


Easy
Installation

Basic information			
Product name	Long distance laser rangefinder DS series		
Model	DS-80	DS-120	DS-200
Measurement characteristics			
Measurement range (reflective film)	80m	120m	200m
Typical value of spot size	100mm (@80m)	150mm (@120m)	245mm (@200m)
Measurement accuracy	±2 mm		
Repeat accuracy	1 mm		
Measurement frequency	1000Hz		
Measurement resolution	0.1mm		
Maximum movement rate	15m/s		
Optoelectronic characteristics			
Power supply voltage	DC 9V...30V		
Working current	0.2 A/12V DC		
Laser source	Red laser (visible light)		
Power consumption	2.4W(MAX)		
Others			
Data transmission interface	SSI、Ethernet100BASE-TX		
Indicator light	PWR indicator, MF1/MF2 status, LNK indicator, BUS indicator		
Display screen	OLED screen (128*64 pixels)		
Network interface	M12/4-core/D-type female straight connector		
Power supply/SSI interface	M12/8-core/A-type male straight connector		
Ambient light resistance	≤100,000 lx		
Working environment temperature	-10°C ~ +55°C		
Storage temperature	-30°C ~ +75°C		
Humidity	< 80%		
Protection level	IP65		
Dimensions	123*69.5*90 (mm)		
Weight	600g (without wire)		

3

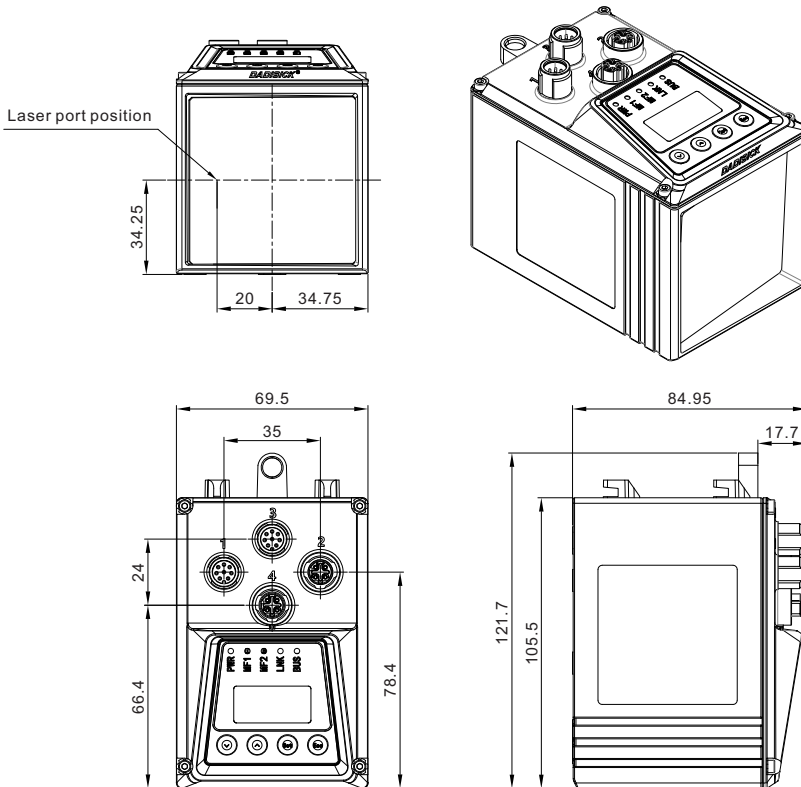
Software



4

Dimension

Unit: mm





Smart warehousing



Lifting or hoisting equipment



Automated parking system



Port automation

DADISICK



Scan the QR code to learn more

Contact us

Dongguan Dadi Electronic Technology Co., Ltd.

Add: No.10 Sanjiang Industrial Area, Hengli Town, Dongguan City, Guangdong Province P.R.China.
We reserve the right to make technical changes

Email: sale@dadisick.com
WhatsAPP: 8613313746108
Website: www.dadisick.com