

TECHNICAL DATA SHEET

SAFETY LIGHT CURTAIN SENSOR
Emitter: QMF08/10-70-2BB-E
Receiver: QMF08/10-70-2BB-R



Contents

- Product application
- Technical data
- Operation and display
- Dimensioned drawings
- Electrical connection
- Wiring diagram
- Accessories



GB/T 19001-2016

Product application

- A. Light curtain can achieve full protection for the slider can be stopped at any position on the press machine.
- B. The light curtain can only achieve upper dead point protection if the slider can not be stopped at any position on the press machine.
- C. Realize the regional protection for the industry manipulator, injection molding machines, packaging equipment, automation equipment, assembly wires and other dangerous work area.
- D. Used to detect and alarm object.

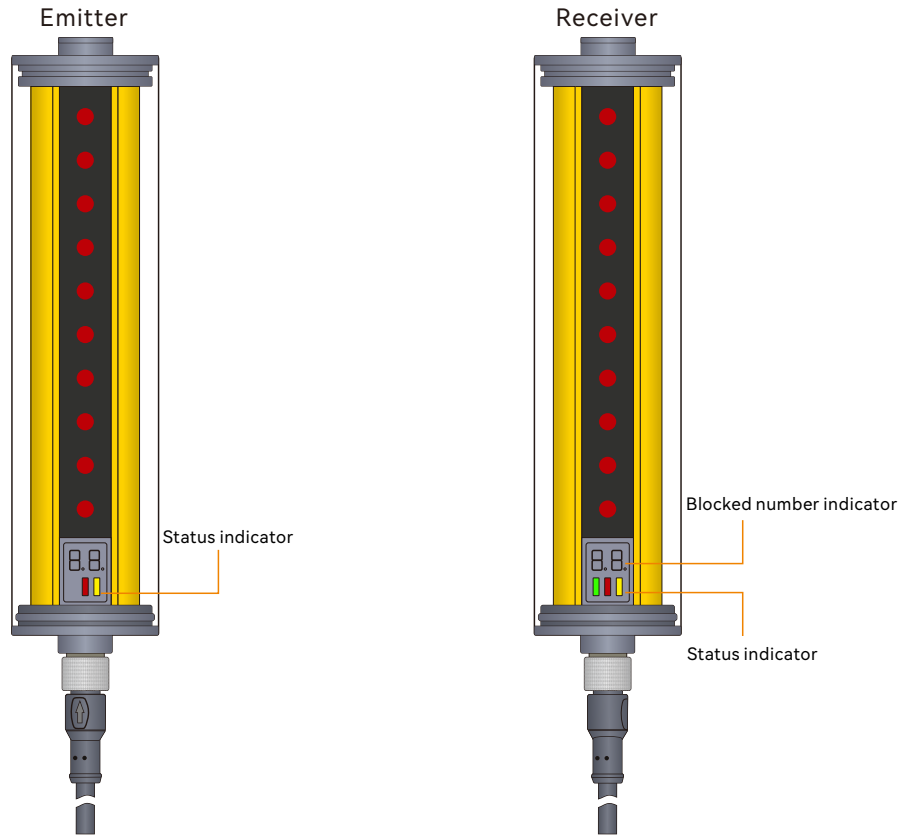
Technical data

Basic data of Receiver and Emitter

Standard packaging	
Product model	QMF08/10-70-2BB-E and QMF08/10-70-2BB-R
Standard configuration	One receiver, one transmitter, two data lines, one right-angle rack, and one t-shaped screw
Light curtain form	Infrared radiation type
Application	Standard industrial environment - finger protection
Features	
Resolution ratio	10mm
Check the accuracy	15mm
Number of beams	8
Protection height	70mm
Total height	134.5mm
Detection distance	30-6000mm (Default 30-6000mm, customer service can be contacted to customize 30-25000mm.)
Response time	≤15ms
Synchronization	
Synchronization	Line synchronization
Consumption current	≤200mA
Output mode	2-circuit of PNP, with current of 500mA and voltage below 1.5V, polarity, short circuit and over-cutting protection
Output status	ON (receiving indicator green light)
Indicator light	Transmitter: power indicator light (red); receiver: output indicator light on (green), blackout (red)
Wavelength	850nm
Type of light	Infrared light (NIR), invisible
Function	Automatic reset
Mechanical data	
Overall dimension	36*36*134.5mm
Housing material	Metal
Metal shell	Aluminium
Lens front screen material	Acrylic
Upper and lower cover materials	ABS reinforced nylon PA66+30% GF
Environmental data	
Protection grade	IP65
Resistance to ambient light	Incandescent light: illumination of light-receiving surface 3000Lx; Sunlight: illumination of light-receiving surface 10000Lx
Ambient temperature	Working temperature: - 10~+40 °C (but not frozen), storage temperature: - 25 ~+55 °C
Ambient humidity	Working time: 35~85% RH, saving time: 35~95% RH

Performance data	
Protection circuit	Short circuit protection Overvoltage protection
Supply voltage	24VDC, -20...20%
Maximum current consumption	150mA
Fuse	2A half time interval
Output	
Number of safe output circuits (OSSD)	2-circuit
Type	Safety circuit output circuit OSSD
Minimum switch voltage high	18V
Minimum switch voltage low	2.5V
Typical switching voltage	22.5V
Voltage type	DC
Maximum current load	380mA
Load inductance	two thousand
Load capacity	zero point three
Maximum residual current	0.2mA
Typical residual current	0.002MA
Voltage drop	1.5V
Safety switch output 1	Connection pin 4, WHITE OSSD1
Switching element	Transistor PNP
Safety switch output 2	Connection pin 5, GREEN OSSD2
Switching element	Transistor PNP
Certificate	
CETÜV	No.E8A 104143 0001 Rev.00
ROHS certification	No.BSTDG180811032001CC
CE TYPE 4	No.ICR Polska/VC/HS221214
UL	No. 4790783741.1-S
GB/T	No. HIC180327 GB/T 19001-2016 idt ISO 9001:2015

Operation and display

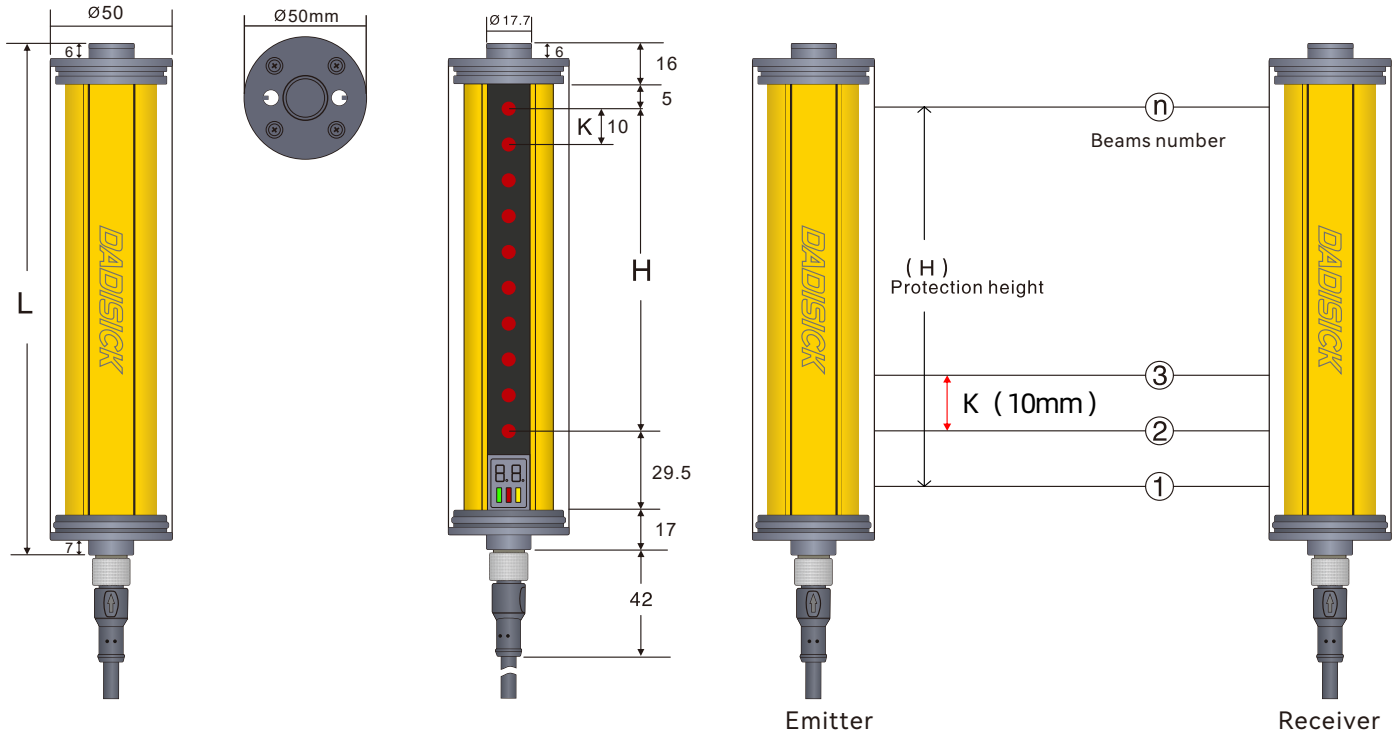


Status indicator	LED status Indicator	Explain
Emitter	 Red and Yellwo, always on	Turns on the power
Receiver	 Red, always on	Turns on the power
	 Green and Red	All light paths are connected
	 Red and Yellwo	The light is blocked or misaligned
	 Lights flashing	Interference or overstep detection range

Dimensioned drawings

QMF 10mm series

Unit: mm



Remarks

L: Total length of light screen

H: Height of protected area

K: Resolution ratio

n: Beams number

L=16+5+H+29.5+17

H= (n-1) * 10

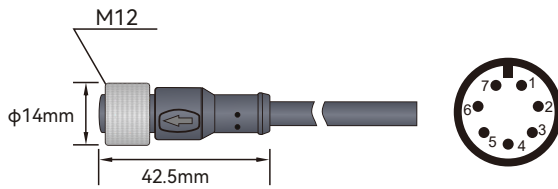
QMF 10mm specification list

Resolution	Light beam	Protection height (H)	Total height (L)	Product model	Signal output mode		Detection range	
					Two outputs	PNP output		
10mm (K)	8	70	137.5	QMF08/10-70	2	PNP	0.3-6m	
	10	90	157.5	QMF10/10-90	2	PNP	0.3-6m	
	12	110	177.5	QMF12/10-110	2	PNP	0.3-6m	
	14	130	197.5	QMF14/10-140	2	PNP	0.3-6m	
	16	150	217.5	QMF16/10-150	2	PNP	0.3-6m	
	18	170	237.5	QMF18/10-170	2	PNP	0.3-6m	
	20	190	257.5	QMF20/10-190	2	PNP	0.3-6m	
	22	210	277.5	QMF22/10-210	2	PNP	0.3-6m	
	24	230	297.5	QMF24/10-230	2	PNP	0.3-6m	
	26	250	317.5	QMF26/10-250	2	PNP	0.3-6m	
	28	270	337.5	QMF28/10-270	2	PNP	0.3-6m	
	30	290	357.5	QMF30/10-290	2	PNP	0.3-6m	
	32	310	377.5	QMF32/10-310	2	PNP	0.3-6m	
	34	330	397.5	QMF34/10-330	2	PNP	0.3-6m	
	36	350	417.5	QMF36/10-350	2	PNP	0.3-6m	
	38	370	437.5	QMF38/10-370	2	PNP	0.3-6m	
	40	390	457.5	QMF40/10-390	2	PNP	0.3-6m	
	42	410	477.5	QMF42/10-410	2	PNP	0.3-6m	
	44	430	497.5	QMF44/10-430	2	PNP	0.3-6m	
	46	450	517.5	QMF46/10-450	2	PNP	0.3-6m	
	48	470	537.5	QMF48/10-470	2	PNP	0.3-6m	
	50	490	557.5	QMF50/10-490	2	PNP	0.3-6m	
	52	510	577.5	QMF52/10-510	2	PNP	0.3-6m	
	54	530	597.5	QMF54/10-530	2	PNP	0.3-6m	
	56	550	617.5	QMF56/10-550	2	PNP	0.3-6m	
	58	570	637.5	QMF58/10-570	2	PNP	0.3-6m	
	60	590	657.5	QMF60/10-590	2	PNP	0.3-6m	
	62	610	677.5	QMF62/10-610	2	PNP	0.3-6m	
	2	PNP	0.3-6m
	296	2950	714.5	QMF66/10-650	2	PNP	0.3-6m	
298	2970	734.5	QMF68/10-670	2	PNP	0.3-6m		
300	2990	754.5	QMF70/10-690	2	PNP	0.3-6m		

Electrical connection

Electrical interface	
Number of interfaces	2 (receiver and transmitter)
Type	M12 connector, 7-pin
Interface metal	Copper nickel plating
Plug material	GY384 gray 30P
Allowable typical conductor section	0.25mm ²
Maximum link cable	100m
Maximum allowable cable load	4.9A
Cable material	PVC

Cable description:



7-pin M12 cable connector straight
3m waterproof cable

Emitter Wiring diagram		
Pin number	Line color	Name
1	BROWN	24V DC
2	BLUE	0V
3	BLACK	CP
4	WHITE	NC
5	GREEN	NC
6	RED	CE
7	YELLOW	Ground wire

Receiver Wiring diagram		
Pin number	Line color	Name
1	BROWN	24V DC
2	BLUE	0V
3	BLACK	CP
4	WHITE	OSSD1
5	GREEN	OSSD2
6	RED	CE
7	YELLOW	Ground wire

1. QMF signal output selection (actual output of transistor working normally)

NPN NC



A

PNP NC



B

NPN NO



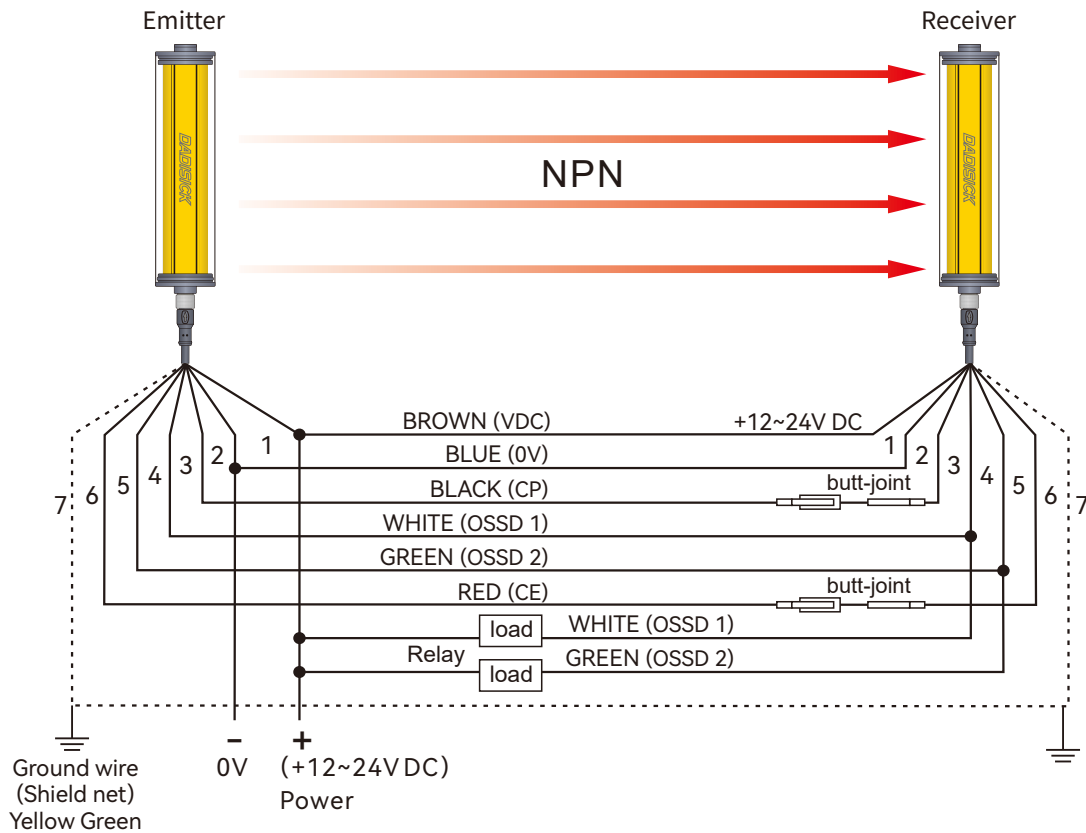
C

PNP NO



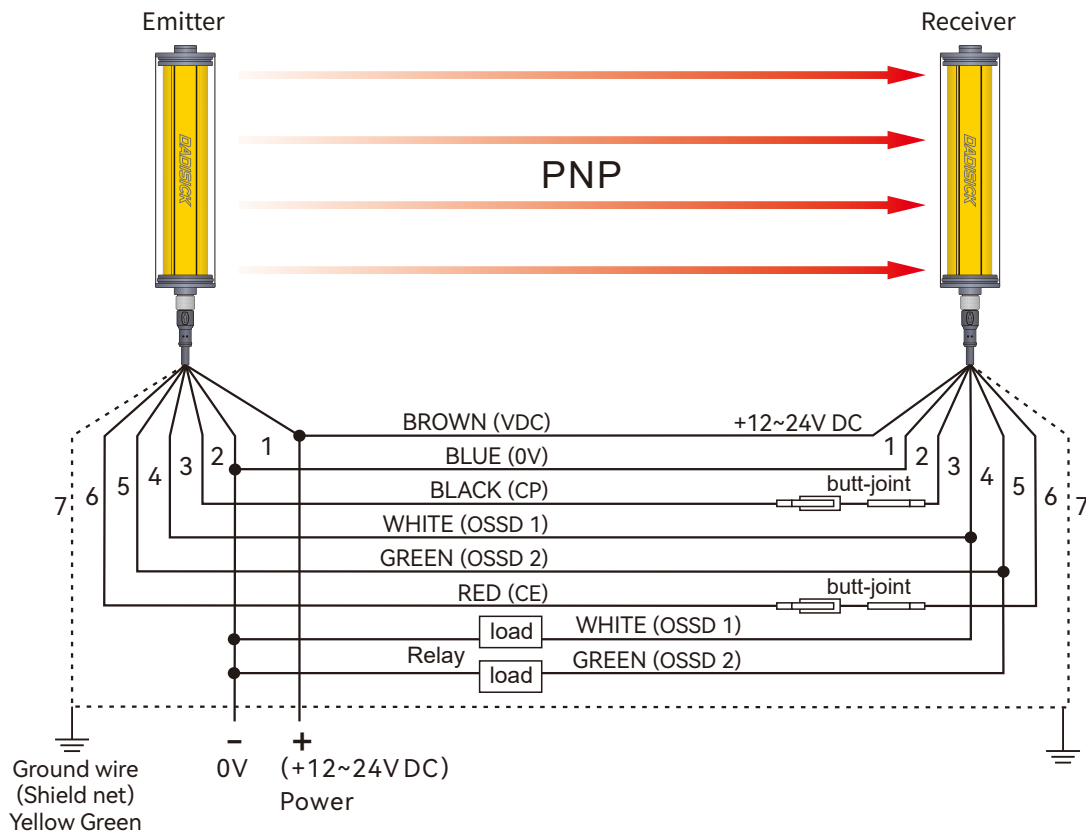
D

2. NPN output wiring diagram







This figure is an example of NPN double output 7-pin wiring.

3. PNP output wiring diagram

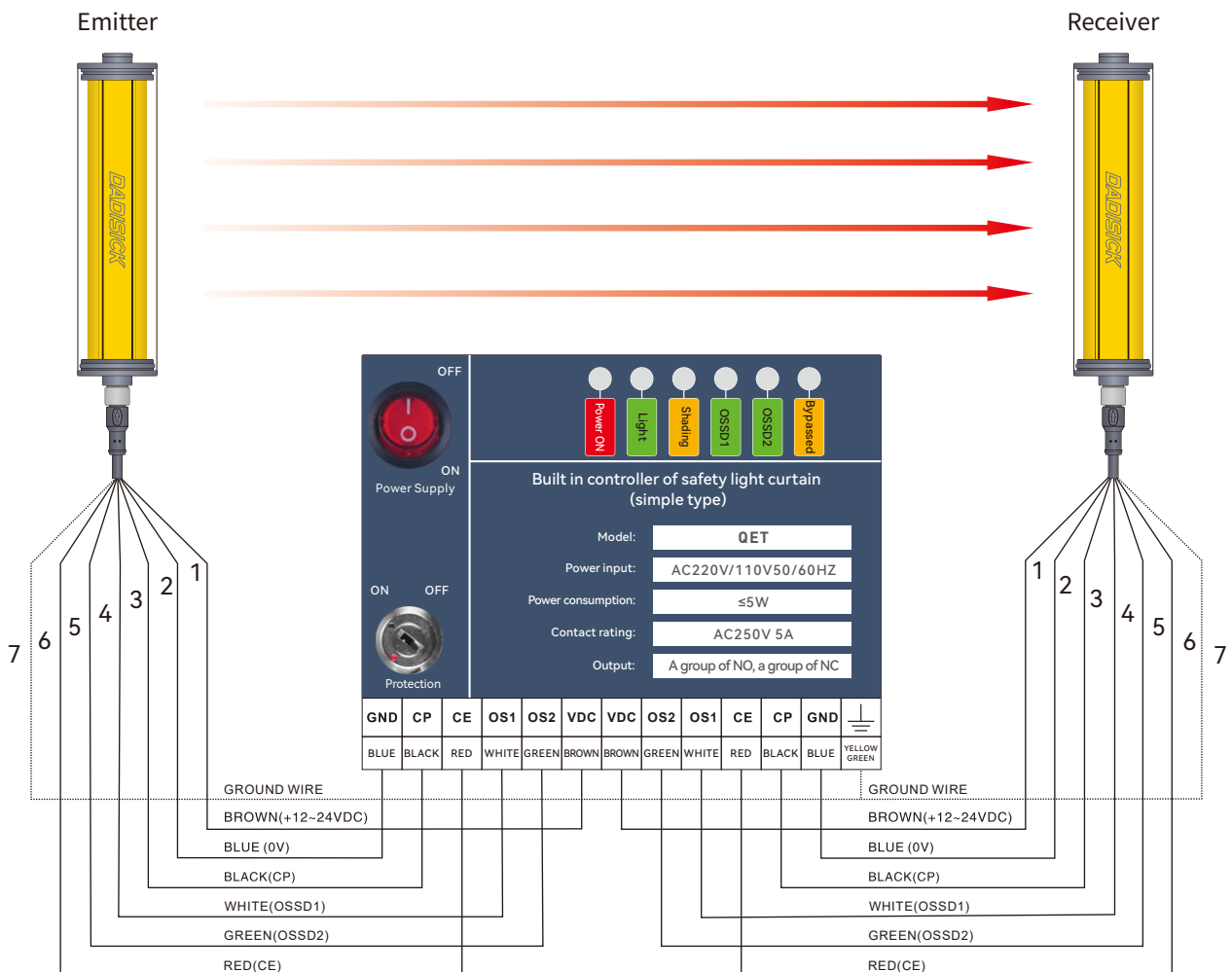


This figure is an example of PNP double output 7-pin wiring.

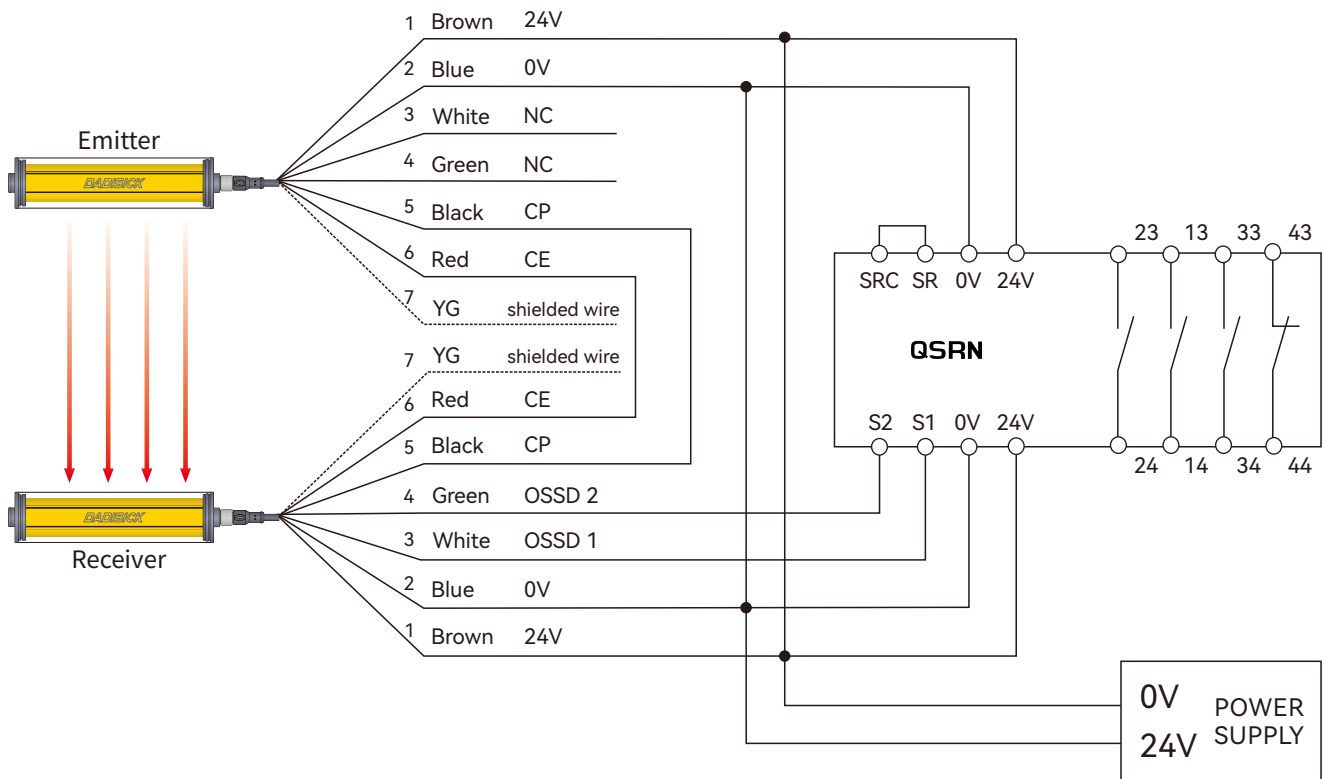
4. Selection of safety light curtain controller

Name	Order separately	Model	Descriptions
Built-in controller		QET	Used to monitor the signal processing of QMF series light curtain, and output one group of NO and one group of NC.
Safety relay		QSRN	QSRN safety relays have three groups of NO and one group of NC, with strong control capabilities. They are suitable for various signal monitoring in industrial places with high safety requirements, including emergency stop signals, safety door opening and closing signals, safety light curtain signals, and two-handed button signals.
Safety relay	 Multifunctional switching switch	Ter-A	Equipped with a mode switch, it can be used for most safety components, such as light curtains, safety switches, carpet contacts, two handed switches, etc. Automatic/manual reset paddles for quick configuration. Dual channel monitoring circuit, safe and reliable.
Light curtain relay		QET-1	Output conversion between NC and NO for QMF series light curtain.

4.1 Wiring diagram of QET built-in controller

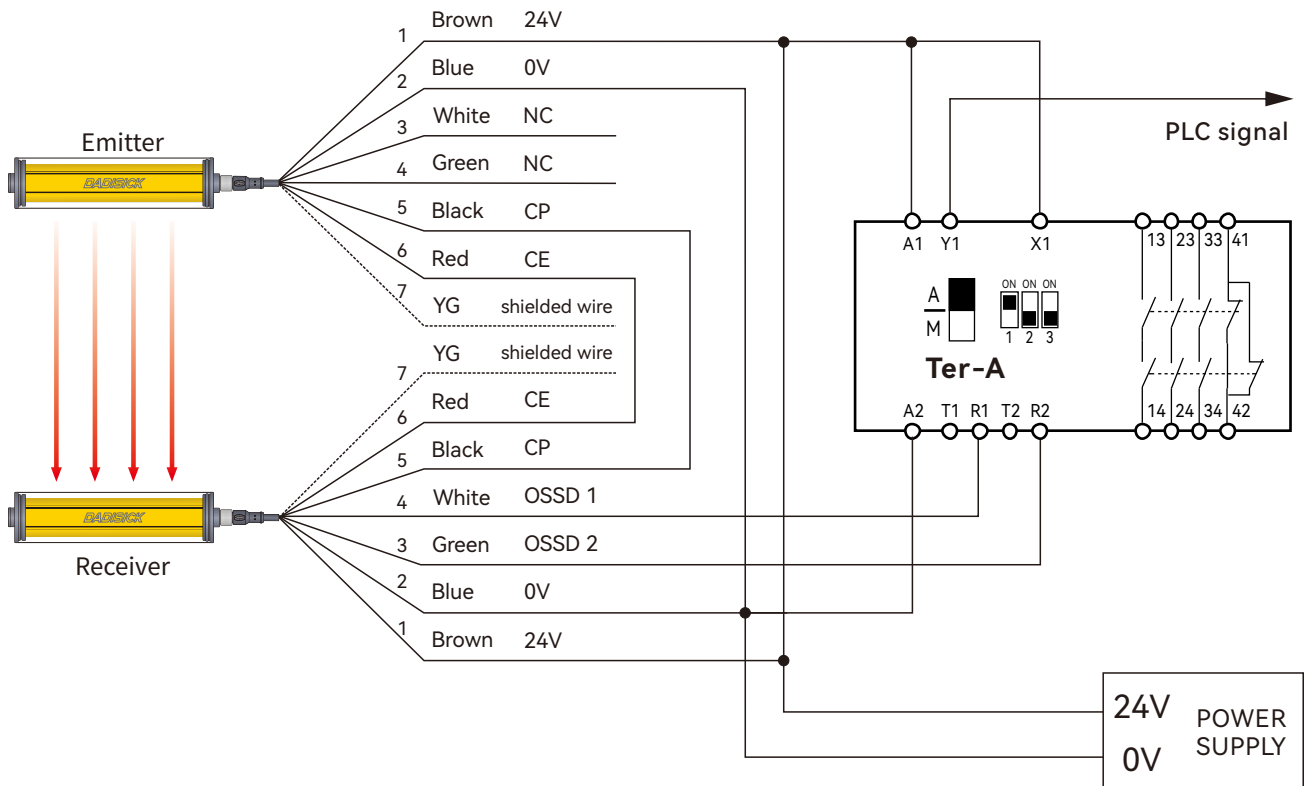


4.2 Wiring diagram of QSRN safety relay



4.3 Wiring diagram of Ter-A safety relay

Dual channel light curtain PNP switch safety input, with automatic reset and PLC signal output.



4.4 Wiring diagram of QET-1 light curtain relay



4.5 Wiring between light curtain and PLC and one-chip computer system

NPN wiring:



PNP wiring:



Accessories

Metal angled fixing bracket installation method
(Original accessories)

