

# Instructions for Use

## Endoscopy Working Station

**JTA-310**



To ensure safety, be sure to read these instructions before use !

Please read this instructions for use thoroughly before using the product and keep it properly for future reference. Information in the instructions may change at any time without prior notice. You may visit the website <https://www.jeetvet.com> for contact information.

When using the product, please strictly follow the instructions and properly carry out maintenance, which will greatly reduce the occurrence of faults and prolong the service life of the product.

Since the product is being improved continuously, the appearance or specifications of the product may be different from that stated in the instructions without prior notice.

Copyright © 2024 All rights reserved. No reproduction in any form of the instructions, in whole or in part, may be made without the written authorization from Jeet Medical (Shenzhen) Co., Ltd.

The version number of the user manual may be upgraded at any time without notice due to changes in software or technical specifications.



Jeet Medical (Shenzhen) Co., Ltd.

901, Block B, No.76 Baohe Avenue, Longgang District, Shenzhen, China

Tel: +86-755 2325 1842

Website: [www.jeetvet.com](http://www.jeetvet.com)

Version: A0

For veterinary use only.

## About the Instructions for Use

The Instructions for Use describes in details of the use, functionality, and operation method of the product.

Before using the product, please read the instruction manual carefully and understand the contents to ensure that the product can be used correctly and to ensure the safety of animals and users.

The instructions describe the product in its most complete configuration, so some of the contents may not apply to the product you have purchased. If you have any questions, please contact Jeet Medical.

Please keep this instruction manual near the product so that it can be easily and promptly accessed when needed.

The instruction manual is suitable for professional veterinary clinical staff with knowledge and working experience in the medical procedures, practices and terminology necessary for endoscope.

All illustrations provided in the instructions are for reference only and the settings or data in the illustrations may not exactly match the actual display you see on the product.

**Contents**

Instructions for Use ..... 1

Endoscopy Working Station ..... 1

**1. Important information** ..... 2

1.1 Instructions for use ..... 2

1.2 Intended Use ..... 2

1.3 Structural Composition ..... 3

1.4 Contraindications ..... 3

1.5 Unpacking and Inspection ..... 3

1.6 Maintenance and Modification ..... 5

1.7 Warnings and Precautions ..... 5

**2. Product Overview** ..... 8

2.1 Description of the front panel ..... 8

2.2 Description of the back panel ..... 9

2.3 Product parameters ..... 10

**3. Pre-use preparation** ..... 12

3.1 Product connection diagram ..... 12

3.2 Installation procedures ..... 13

3.3 Pre-use Inspection ..... 13

**4. Product operation** ..... 14

4.1 Real-time video mode: ..... 17

4.2 Shortcut key functions ..... 17

4.3 Menu setting ..... 18

**5. Maintenance, Storage and Disposal** ..... 19

5.1 Maintenance ..... 19


5.2 Storage ..... 21

5.3 Disposal ..... 21

**6. Troubleshooting** ..... 21

**7. Warranty** ..... 23

## 1. Important information

 **Note:** Before using the Veterinary Endoscopy Workstation (Hereinafter referred to as "workstation"), please read and fully understand the instruction manual of this product to ensure proper use.

### 1.1 Instructions for use

- This instructions manual provides detailed information on the product's purpose, structure, operation methods, precautions, and post-use maintenance. Before using this product, please read this manual carefully to ensure proper usage, thereby guaranteeing the safety of both animals and operators.
- If you have any questions or comments regarding the information in this manual, please contact Jeet Medical (Shenzhen) Co., Ltd.
- The content of this manual is subject to change without prior notice. Unauthorized reproduction of any part or the entirety of this manual is prohibited.
- Please keep this manual in a safe place for future reference.
- This manual has been written by technical personnel with relevant professional knowledge and specialized training.

### 1.2 Intended Use

This product is compatible with various specifications of endoscopes for image processing. It not only features local high-definition display but also supports Wi-Fi wireless transmission and HDMI output. Additionally, it integrates aspiration and suction functions, allowing for saline flushing, air aspiration and waste fluid suction during animal surgeries.

### 1.3 Structural Composition

The product comprises a main unit, clean water bottle, waste water bottle, HDMI cable, power cable, foot switch and etc.

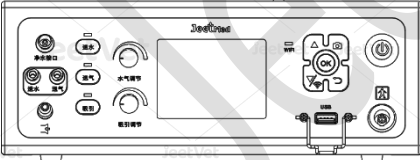
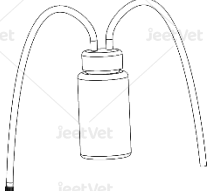
### 1.4 Contraindications

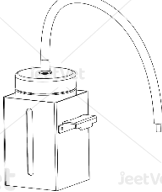


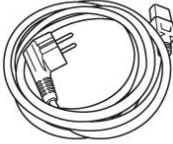
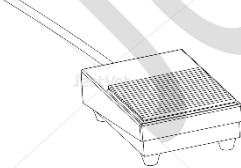
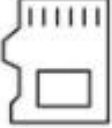
- The product must not be used for suction during induced abortion or for suctioning live tissue.
- Cases outside the intended use as designed in this manual.
- Do not use equipment that is not compatible with this device for examination or treatment.

### 1.5 Unpacking and Inspection

The packaging of this product includes the following items. Please check all items against the list below.

If any parts are missing or damaged, do not use the product and contact Jeet Medical (Shenzhen) Co., Ltd. for verification and confirmation.

	<p>JeetVet</p> <p>Main Unit of Endoscopy Workstation</p>
	<p>Waste water bottle</p>

	<p><b>Water &amp; Air bottle</b> (Installed on the left side of the main unit)</p>
	<p><b>Water &amp; air hose</b> (with Luer three-way connector)</p>
	<p><b>HDMI cable</b></p>
	<p><b>Power cable</b></p>
	<p><b>Foot switch</b></p>
	<p><b>TF card</b></p>



## Instructions for use (This manual)

### 1.6 Maintenance and Modification

Do not use this device if it is potentially contaminated, suspected to be faulty, or has already malfunctioned. For any required repairs, please contact Jeet Medical.

Parts must be purchased from the manufacturer by qualified engineers. The use of non-compliant components can lead to safety issues.

**Safety Control:** After each maintenance or repair involving safety inspections, ensure that the device is operating in the appropriate environment.

**⚠ Warning:** This device should only be serviced by the technicians from Jeet Medical. The company is not responsible for any injury or damage caused by servicing performed by other technicians.

### 1.7 Warnings and Precautions

Please carefully read the following precautions to ensure proper use of this product and to avoid equipment damage or improper operation:

- a) Lack of thorough reading of the user manual or insufficient experience.
- b) Do not strike, throw, or subject the product to excessive mechanical vibration.
- c) Do not use in environments with excessively high or low



temperatures.

- d) Prepare for emergencies before surgery, if the equipment's performance changes, cease operation and replace the device.
- e) The procedure should be performed by adequately trained and skilled veterinarians familiar with the surgical techniques.

 **Warnings:**

To avoid potential serious injury to users or animals and prevent equipment damage, please heed the following warnings:

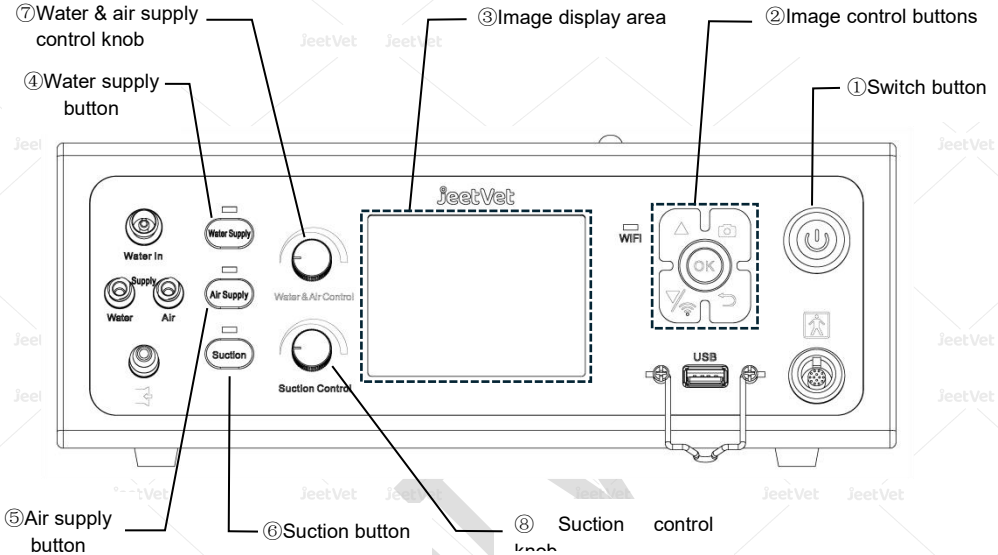
- a) Users must be qualified veterinarians with comprehensive knowledge of this device.
- b) Before connecting and using this device, thoroughly read and understand the instructions for use (especially the warnings).
- c) Test the device prior to performing surgery to ensure it is safe and effective.
- d) In the event of the following incidents, promptly unplug the device and seek assistance from professional technicians:
  - Liquid or other objects have entered the control unit.
  - The device does not function properly when used according to the manual.
  - The device has been dropped or is in a poor environment.
  - Performance degradation.
- e) Do not clean this device directly with cleaning liquids or water.
- f) Do not use any corrosive cleaning agents to wipe the surface of this device.
- g) Carefully open the outer packaging and check for any damage incurred during transport. If there's any damage, contact our company or an authorized distributor.
- h) Pay special attention to the instructions regarding maintenance,

cleaning, and disinfection in this manual. Any non-compliant operation may result in equipment damage.

- i) This device is designed to minimize interference with other electrical devices and has passed testing. However, if interference occurs, adjust the device's position, distance, or connect it to a different outlet or circuit.
- j) Do not use this device in the presence of flammable anesthetic gases mixed with air, or with oxygen or nitrous oxide.
- k) To ensure the safety of the user, animal, and others, only use parts and accessories specified by Jeet Medical. Using other parts and accessories may increase electromagnetic emissions or decrease immunity to interference.

## 2. Product Overview

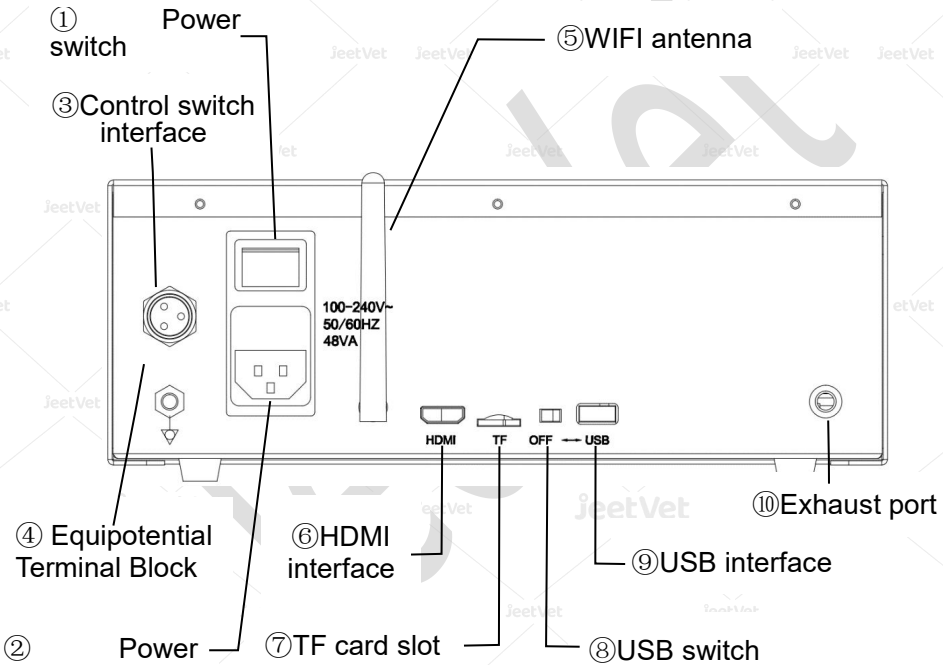
### 2.1 Description of the front panel



No.	Description	Instructions
1.	Switch button	Enable / disable image function
2.	Image control buttons	Control the image, accessing menu, etc. (see section 4.2 for key functions)
3.	Image display area	Endoscopic image display area and menu settings
4.	Water supply button	Control to start and stop water supply
5.	Air supply button	Control to start and stop air supply

6.	Suction button	Control to start and stop suction
7.	Water & air control knob	Control the volume of water and air supply
8.	Suction control knob	Control the volume of suction

**2.2 Description of the back panel**



No.	Description	Instructions
1.	Power Switch	Power on / off
2.	Power socket	Connect the power cable

3.	Control switch interface	Connect the foot switch or hand switch
4.	Equipotential Terminal Block	Connecting the equipotential balance ports of other devices ensures equal electrical potential between the devices
5.	Wi-Fi antenna	Transmitting and receiving radio waves
6.	HDMI interface	Connect to a monitor or other device equipped with an HDMI input interface to output digital video signals
7.	TF card slot	Insert a TF card into this slot
8.	USB switch	Enable/Disable the USB interface
9.	USB interface	Transmit USB image signals externally
10.	Exhaust port	Expel air during suction

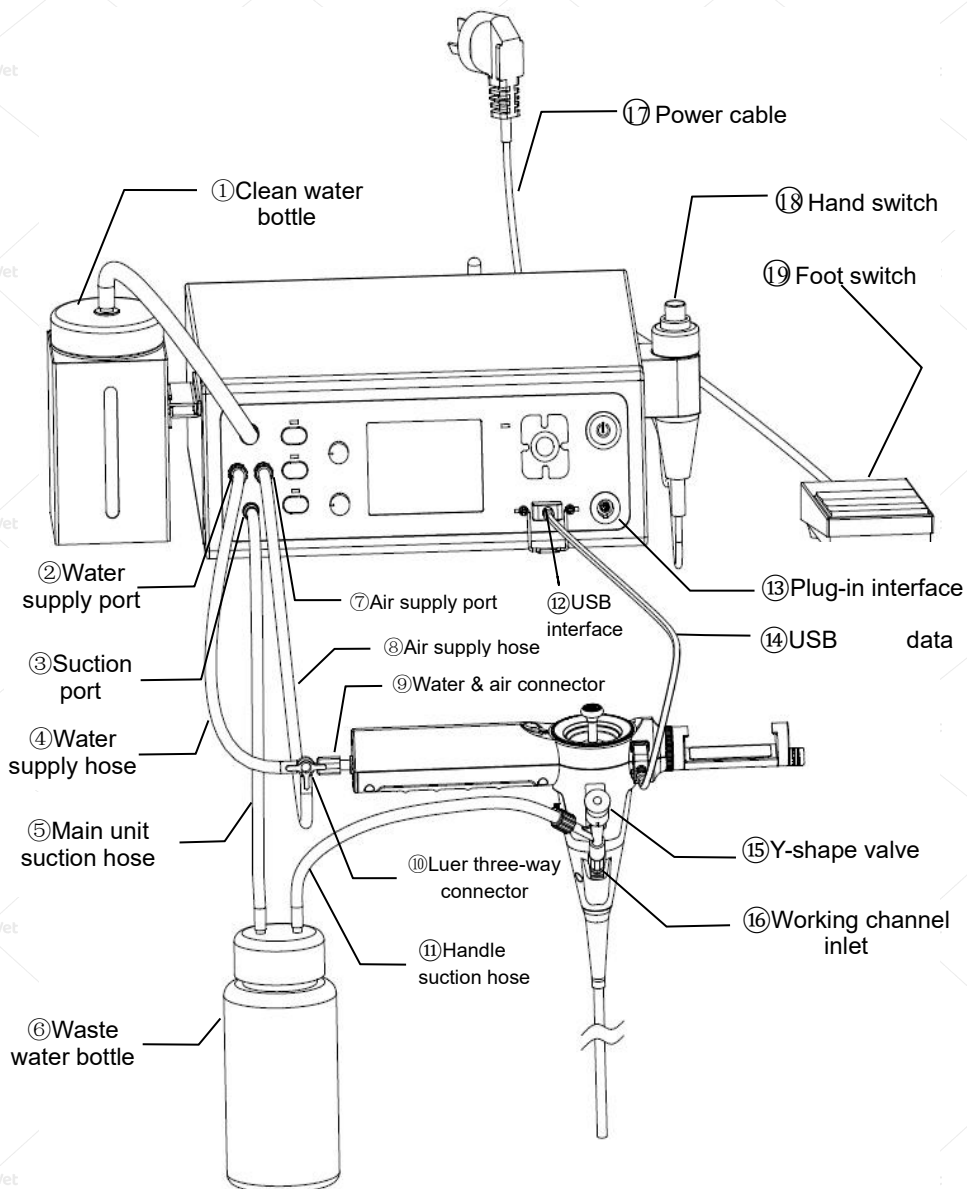
### 2.3 Product parameters

Display screen	
Resolution	640×480
Size of screen	3.5 inch
Display direction	Horizontal
Power-on time	About 5 seconds
Flow rate	
Flush flow rate	≥15ml/s
Suction flow rate	≥30ml/s
Power supply	

Rated voltage and frequency	100-240 V ~, 50Hz /60 Hz
Input power	48 VA
Size	
Length	333mm
Width	286mm
Height	110mm
Weight	4Kg
Environmental conditions	
Operating environment	Temperature: 5°C~40°C , Relative humidity: 10~80%
Storage and transportation	Temperature: -20°C ~ + 55°C , Relative humidity: 10~93%
Atmospheric pressure	70kPa~106kPa

### 3. Pre-use preparation

#### 3.1 Product connection diagram



### 3.2 Installation procedures

#### Step 1

- Connect the endoscope to the main unit's right-side endoscope signal interface (use ⑫USB interface or ⑬plug-in interface depending on the endoscope model).

#### Step 2

- Attach one end of the two water & air hoses to ② water supply port and ⑦air supply port, and the other end to ⑨water & air connector (specific connections depend on the actual endoscope model).

#### Step 3

- Connect the waste water bottle and ⑤ main unit suction hose (without adapter) to ③suction port. First, connect ⑮Y-shape valve to ⑯working channel inlet, then connect ⑪handle suction hose to ⑮Y-shape valve (specific connections depend on the actual endoscope model).

#### Step 4

- Connect ⑰power cable, ⑱hand switch or ⑲foot switch (choose one) to the main unit's rear power socket and foot switch interface.

#### Step 5

- Plug the power cable into the mains power supply.

#### Warning:

Note: Prior to using the equipment, disinfect the water bottle, endoscope, waste bottle, all hoses, connectors, etc.

### 3.3 Pre-use Inspection

a) Before starting to use, please check the following:

- Ensure the equipment is powered off.
- Ensure all connectors, hoses, and interfaces are securely connected.
- Ensure the equipment is placed stably.



- Ensure the power cable is correctly connected.
- b) Inspection of power equipment:
- Turn on the power switch.
  - Press the device switch button.
  - The switch button's blue backlight illuminates.
  - After inspection, turn off the device power button and the power switch, the blue light on the power button will turn off.

## 4. Product operation

### ① Power On

Turn the working station power switch to the "I" position, connect the power to the suction pump section, and start performing the water and air supply and suction function self-check. The indicator light will illuminate in sequence and then turn off. Then, press the switch button on the front panel, and the switch's blue backlight will turn on.

### ② Connect to Monitor (for viewing images on an external monitor)

When you need to display the image processor's output on a monitor, use the HDMI cable provided with the equipment. Connect one end to the HDMI interface on the back of the image processor and the other end to the corresponding interface on the monitor (the interface may vary depending on the monitor; please refer to the monitor's manual for operation).

### ③ Connect to Wi-Fi (for viewing images on a mobile smart device)

Scan the following QR code with your phone to download and install the app. Once installed, press the Wi-Fi switch on the main unit panel to turn on the main unit Wi-Fi. After connecting your smart device to the

main unit Wi-Fi, you can view the images on the mobile device.



#### ④ Water & air supply functions

- Start: Press the "Water supply button" or "Air supply button" on the panel. The blue indicator light above the button will stay on, indicating that the water or air supply function is active.
- Flow adjustment: Turn the "Water & air control knob" to the far left for the minimum flow. Rotate it clockwise to gradually increase the flow. During use, rotate the knob to the desired position based on actual needs.
- Stop: Press the "Water supply button" or "Air supply Button" again during operation. The indicator light will turn off, stopping the water and air functions.

#### ⑤ Suction Function

- Start: Press the "Suction button" on the panel. The blue indicator light above the button will stay on, indicating that the suction function is active.
- Flow Adjustment: Turn the "Suction Adjustment Knob" to the far left for the minimum flow. Rotate it clockwise to gradually increase the flow. During use, rotate the knob to the desired position based on actual needs.
- Stop: Press the "Suction Button" again during operation. The

indicator light will turn off, stopping the suction function.

### ⑥Foot Control or Manual Control

For foot or manual control of the water, air, or suction functions, first connect the foot switch or hand switch (choose one) to the back of the main unit. With the corresponding function activated, press the foot switch to start water, air, or suction delivery, and release to stop. The same operation applies to the hand switch.

### ⑦Automatic Cleaning Function

Press and hold the "Water supply button" to start the automatic cleaning function. This function automatically alternates between water and air delivery, cycling twice for a total duration of approximately 25 seconds. This function can also be used for self-cleaning of the device.

### ⑧Power Off

Turn off the front panel function buttons, then press the switch button to turn off the blue backlight. Finally, turn the power switch on the back of the workstation to the "O" position.


**⚠ Warning:** The capacity of the clean water bottle and waste water bottle is 450ml each. The liquid level during use must not exceed the marked line on the bottle. After each use, follow the cleaning and disinfection procedures outlined in Chapter 5.1.

**4.1 Real-time video mode:**



**4.2 Shortcut key functions**

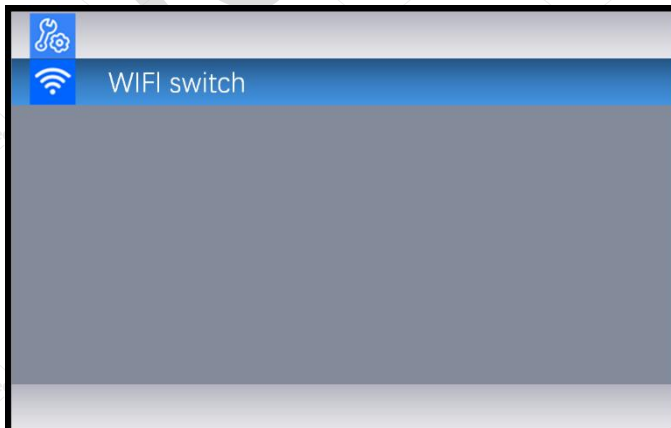
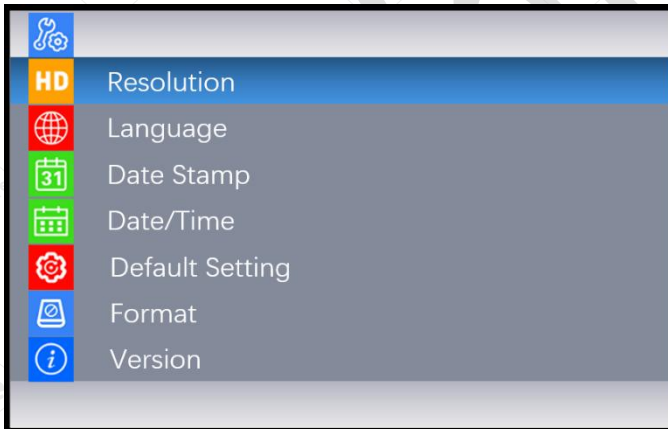
Icon	Key description	Operation instructions
OK	Confirmation key	Press to open a menu or to perform a confirmation function.
▲	Up key	Navigate upwards through presets.
▼/Wi-Fi	Down key	Main interface mode: Press to toggle Wi-Fi on or off; Menu access: Navigate downwards through presets.
📷	Taking photo&video key	Short press for photo capture, long press for video recording; during recording, press to end recording. Note: When taking a photo, a camera icon flashes in the top right corner of the image interface; during video recording, the recording duration is displayed in the top right corner of the image interface.

	Back key	Real-time video mode: Press to review photos and videos; Menu access: Return to the previous menu level.
---	----------	--

## **Warning:**

The working station can only take photos and videos when a TF card is inserted. Before performing photo and video operations, check and confirm that the TF card is inserted and functioning properly.

### 4.3 Menu setting



Menu options	Instructions to functions
Resolution	To choose display image resolution
Language	To choose the language of system menu
Date Stamp	Enable or disable the date watermark on pictures/videos.
Date/Time	Set the time and date of the main unit
Default Setting	Restore to factory default settings
Format	Delete files stored on the TF card.
Version	Check software version
WIFI switch	Enable or disable the main unit Wi-Fi.

 **Warning:**

The system supports setting the host time and provides a real-time clock powered by the main board button battery. If the battery power is insufficient, the system time may become inaccurate. If users notice that the system time is inaccurate, please contact Jeet Medical promptly.

## 5. Maintenance, Storage and Disposal

### 5.1 Maintenance

Precautions:

- Perform maintenance correctly after use as described in the manual. If post-use maintenance is not executed properly, the product may become unusable before the end of its expected

service life.

- Regular inspections should be conducted by technicians designated by the manufacturer. If proper inspections are not performed, the product may not last until the end of its expected service life.

#### Regular Inspections:

In addition to routine checks by the user before and after each use (appearance and cables), regular inspections should be conducted to ensure the system can operate safely and effectively. Inspectors should check the equipment for the following conditions:

- External damage to the equipment;
- Damage to the power cables;
- Damage to the connectors or cable insulation.

If any of the above conditions are found, stop using the product and contact Jeet Medical (Shenzhen) Co., Ltd.

#### Cleaning and Disinfection:

Before initial use, the equipment must be cleaned and disinfected according to the cleaning and disinfection instructions. After each use, the equipment should be cleaned and disinfected immediately.

- a) Wipe stains with a wet gauze soaked in enzyme detergent (it is recommended to use enzyme detergent diluted according to the manufacturer's recommendations, and to wipe for 5-10 seconds).
- b) Use wet gauze soaked in clean water to remove the detergent from the surface of the equipment.
- c) Dry all moisture with dry gauze.
- d) Wipe all surfaces of the equipment with wet gauze soaked in 75% alcohol for disinfection, keeping the wiping time between 5-10

seconds.

- e) After cleaning, visually inspect the surface of the equipment. If stains remain, repeat the above steps.



#### Warning:

Before cleaning the equipment, ensure it is disconnected from all power sources, all accessories are detached, and the equipment is completely powered off.

Do not use spray-type agents directly on the equipment, such as spray alcohol. Otherwise, the agent may enter the system through the cooling holes, causing fire or damage to the equipment.

Do not immerse the equipment in water, or use high-temperature, high-pressure sterilization or steam sterilization, as these methods will damage the equipment. Do not use hard or abrasive scrubbing materials on the equipment's surface, as they will scratch the surface.

## 5.2 Storage

The product should be stored in conditions that protect it from high temperatures, moisture, and humidity. Avoid direct sunlight, and during transport and storage, avoid vibration and rain. Store the product in a well-ventilated indoor area free of corrosive gases.

## 5.3 Disposal

When the device reaches the end of its effective service life, dispose of it as electronic waste in accordance with all applicable national and local laws and regulations. Improper disposal will cause environmental pollution.

# 6. Troubleshooting

The information in this chapter is intended to help users diagnose and



resolve potential issues that may arise during use. The following sections include possible problems during operation, their potential causes, and suggested solutions.

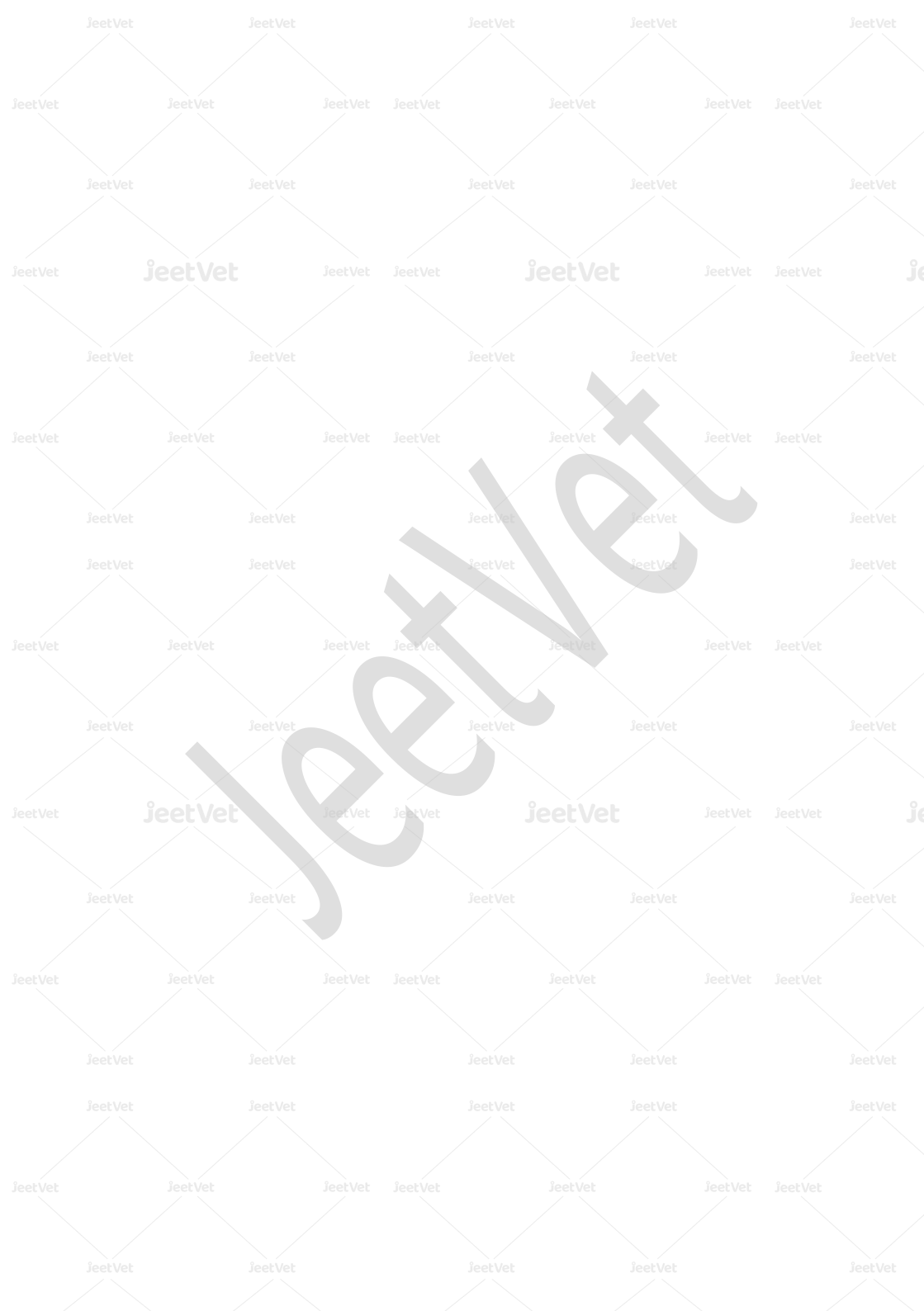
Note: If the problem persists after taking the suggested measures, or if the issue is not described in this chapter, please stop using the product and contact Jeet Medical (Shenzhen) Co., Ltd. for consultation and repair.

Malfunctions	Possible reasons	Troubleshooting methods
Power indicator does not light up after turning on the power switch	The power socket is not properly connected.	Check the power supply and power socket
	Power cable is not properly connected.	Check the power supply cable and plug.
	The fuse is blown.	Check the fuse of the device
No real-time image on the display	An abnormality occurred between the endoscope and the computer.	1. Is the connected endoscope the designated model specified by our company? 2. Restart the device
	Wi-Fi connection is abnormal.	Restart the device
No image on monitor	The monitor power is turned off.	Open the monitor
	The video signal cable is connected abnormally.	Check that the video signal cable is properly connected.
	The monitor does not support the current output format.	Replace the monitor.

Unable to save photos or videos	TF card is not inserted.	Check if the TF card is inserted.
Endoscope image too dark or too bright	The LED light is not switched on.	Switch on the LED light
Unable to recognise TF card	The TF card is not connected correctly.	Check that the TF card is correctly inserted into the appropriate port.
Data cannot be saved on TF card	The TF card is malfunctioning.	Replace the TF card.
	The remaining space on the TF card is insufficient.	Replace the TF card.

## 7. Warranty

- Warranty period: 12 months from the date of purchase.
- Warranty Coverage: This warranty covers failures caused by material defects or manufacturing processes, excluding any issues resulting from human actions. Faulty components will be repaired or replaced free of charge within the warranty period.
- Failures or damages caused by improper use or maintenance by the user, as well as any damage resulting from unauthorized disassembly, will not be covered under this warranty, and repair costs will be borne by the user.



**jeetVet**

Seeing Animal Health Clearly

---

Jeet Medical (Shenzhen) Co., Ltd.

901, Block B, No.76 Baohe Avenue, Longgang District, Shenzhen, China

Tel: +86-755-23251842

Email: [export@jeetmed.com](mailto:export@jeetmed.com)

Website: [www.jeetvet.com](http://www.jeetvet.com)