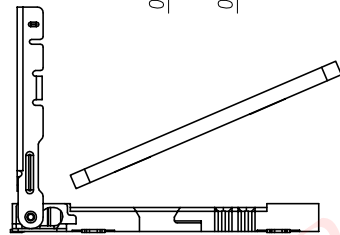
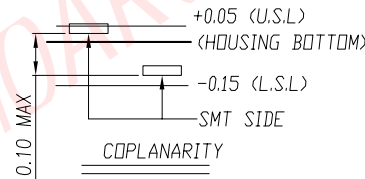
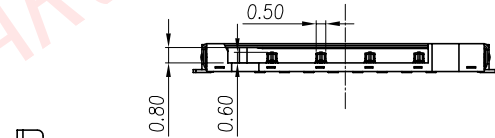
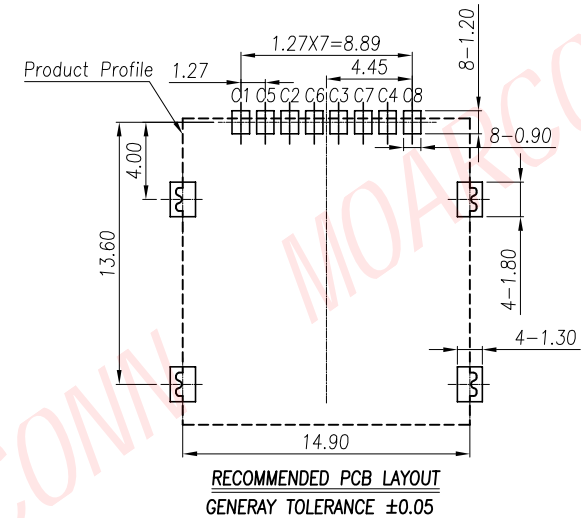
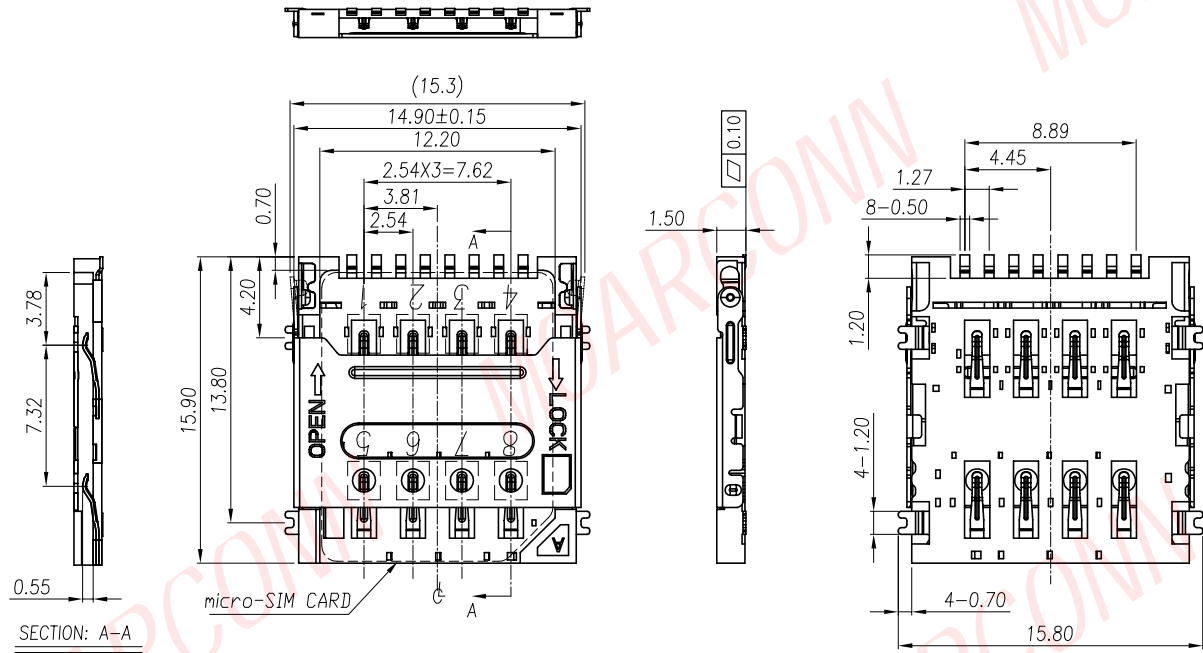


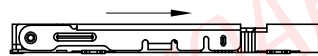
All materials, plating and process meet HF requirements.

NOTES:

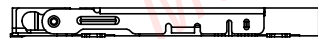
1. ELECTRICAL CHARACTERISTICS
 - 1-1. CONTACT RESISTANCE: 60 Milliohms Max
 - 1-2. INSULATION RESISTANCE: 1,000 Megohms Min.
 - 1-3. DIELECTRIC WITHSTANDING VOLTAGE: 500V AC FOR 1 MINUTE.
2. MECHANICAL CHARACTERISTICS
 - 2-1. OPERATION TEMPERATURE RANGE: -25°C~+70°C
 - 2-2. DURABILITY: 5000 CYCLES
3. MATERIAL:
 - 3-1. HOUSING: THERMOPLASTIC, UL 94-V0
 - 3-2. TERMINAL: PHOSPHOR BRONZE, T=0.15
 - 3-3. SHELL: STAINLESS STEEL, T=0.15
4. FINISHED:
 - 4-1. TERMINAL: Ni PLATED UNDER, Au PLATED ON CONTACT AREA, G/F PLATED ON SOLDER TAIL



STEP 1 INSERT Micro-SIM CARD



STEP 2 PUSH THE SHELL



STEP 3 FINISH

SIM CARD	
Pin No.	NAME
C1	VCC
C2	RST
C3	CLK
C4	RESERVED
C5	GND
C6	VPP
C7	I/O
C8	RESERVED

		DONG GUAN MOARCONN ELECTRONIC Co., Ltd.			
		PRODUCT NAME : MICRO SIM HINGE TYPE H:1.5mm	DRAWING: FAJI	DATE: 2021.08.27	
DIMENSIONS INIT: mm UNLESS OTHERWISE SPECIFIABLE		PRODUCT NO. : SM150-T1150-11-W	CHECK:	DATE:	
DIMENSION TOLERANCE X.X: ± 0.20 X.XX: ± 0.10 X.XXX: ± 0.05 ANGULAR: ± 2'		DRAWING NO. : D-SM150-T1150-11-W	APPROVED:	DATE:	
REVISION NO.	ECR NO.	DESCRIPTION	MARK	DATE	SCALE: 1:1 DWG ID: C D REV.: A PAGE: 1 OF 1

A	----	NEW RELEASE	FAJI	2021.08.27
1				
2				
3				