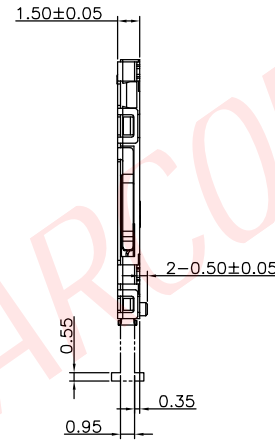
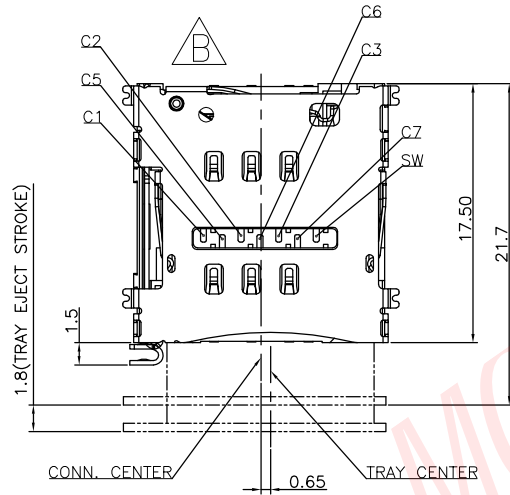
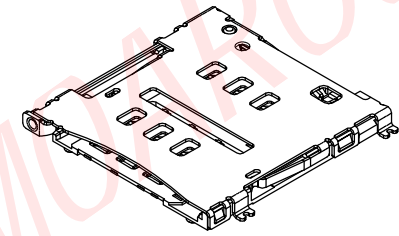


All materials, plating and process meet HF requirements.



WITHOUT TRAY	TRAY INSERT
Pin No.	Description
C1	Supply Voltage (Vcc)
C2	Reset (RST)
C3	Clock (CLK)
C5	Ground
C6	Programming Voltage (Vcc)
C7	I/O
SW	Detect Switch
GND	Shielding Ground



Specification :

Material :

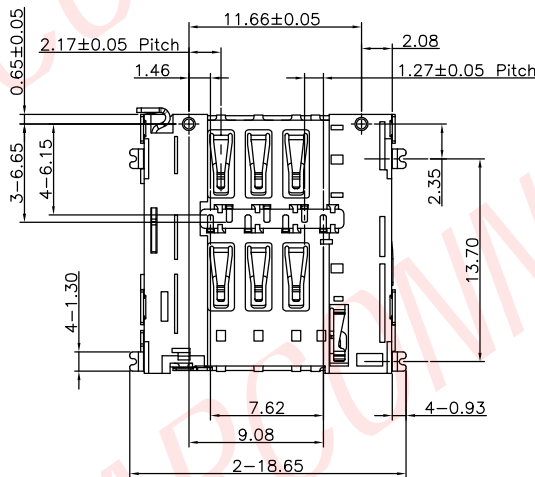
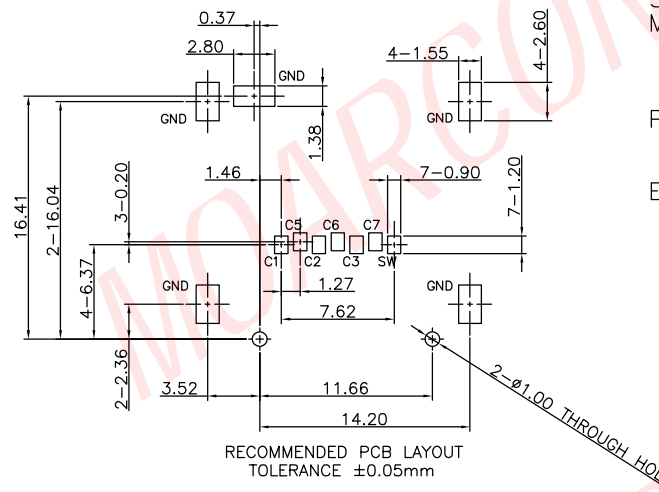
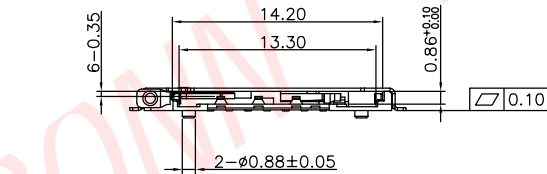
Insulator : High Temperature Thermoplastic, UL-94V-0
 Contact : Copper Alloy
 Shield Shell : Stainless Steel

Plating :

Contact : Plated 50μ" Ni overall, Contact Area 1μ" Au
 Shield Shell : Plated 30μ" min. Solderability Ni overall

Electrical :

Current Rating : 0.5A
 Voltage Rating : 30V AC/DC
 Ambient Temperature Range : -20 C~+85 C
 Storage Temperature Range : -50 C~+100 C
 Ambient Humidity Range : 95% R.H. Max.
 Contact Resistance : 100m Ω Max.
 Insulation Resistance : 1000M Ω Min. /500V DC
 Mating Cycles : 3000Min Insertions



REVISION NO.	ECR NO.	DESCRIPTION	MARK	DATE
B	ER2106090	Modify the drawing to be consistent with the product	Alexander	2021.06.03
A	----	NEW RELEASE	Alexander	2019.06.01

MOARCONN MORE CONNECTIONS START FUTURE		DONG GUAN MOARCONN ELECTRONIC Co.,Ltd.			
DIMENSIONS INIT: mm UNLESS OTHERWISE SPECIFIABLE	DIMENSION	TOLERANCE	PRODUCT NAME :	DRAWING:	DATE:
	X.X: ±	0.35	Micro SIM EJECTING TYPE H1.50mm	Alexander	2021.06.03
X.XX: ±	0.20	X.XXX: ±	PRODUCT NO. :	CHECK:	DATE:
	0.10		MS150-T1130-01		
ANGULAR: ±	2'	DRAWING NO. :	APPROVED:	DATE:	
			D-MS150-T1130-01		
		SCALE:	DWG ID:	REV.:	PAGE:
		1:1	C D	B	1 of 1