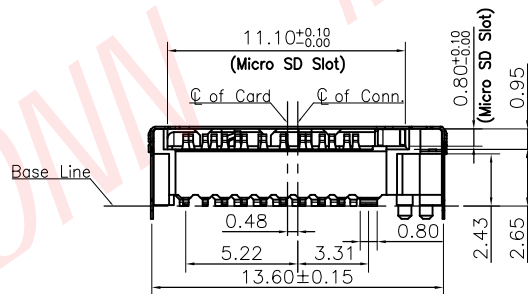
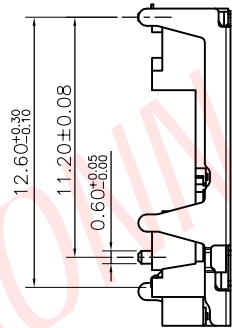
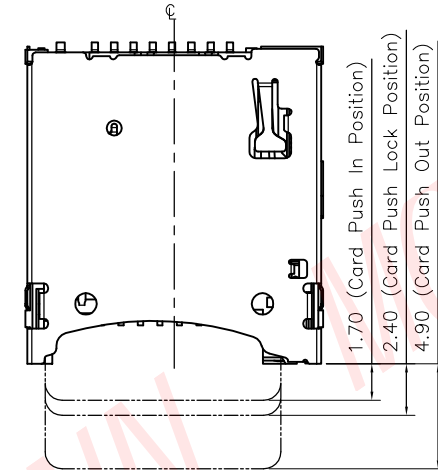
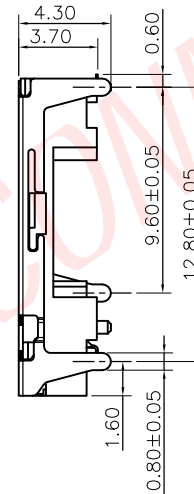
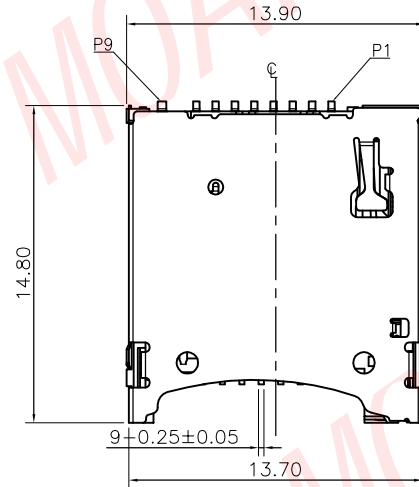
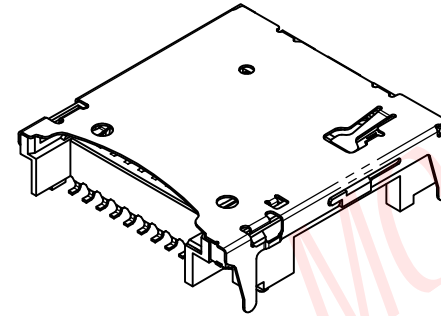
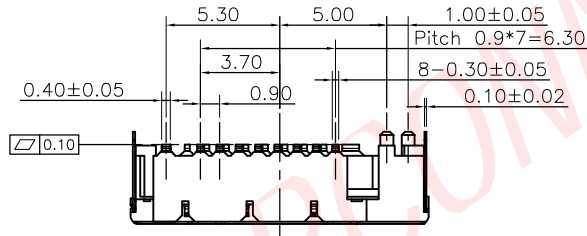


All materials, plating and process meet HF requirements.



MOARCONN
MORE CONNECTIONS SMART FUTURE

DONG GUAN MOARCONN ELECTRONIC Co., Ltd.

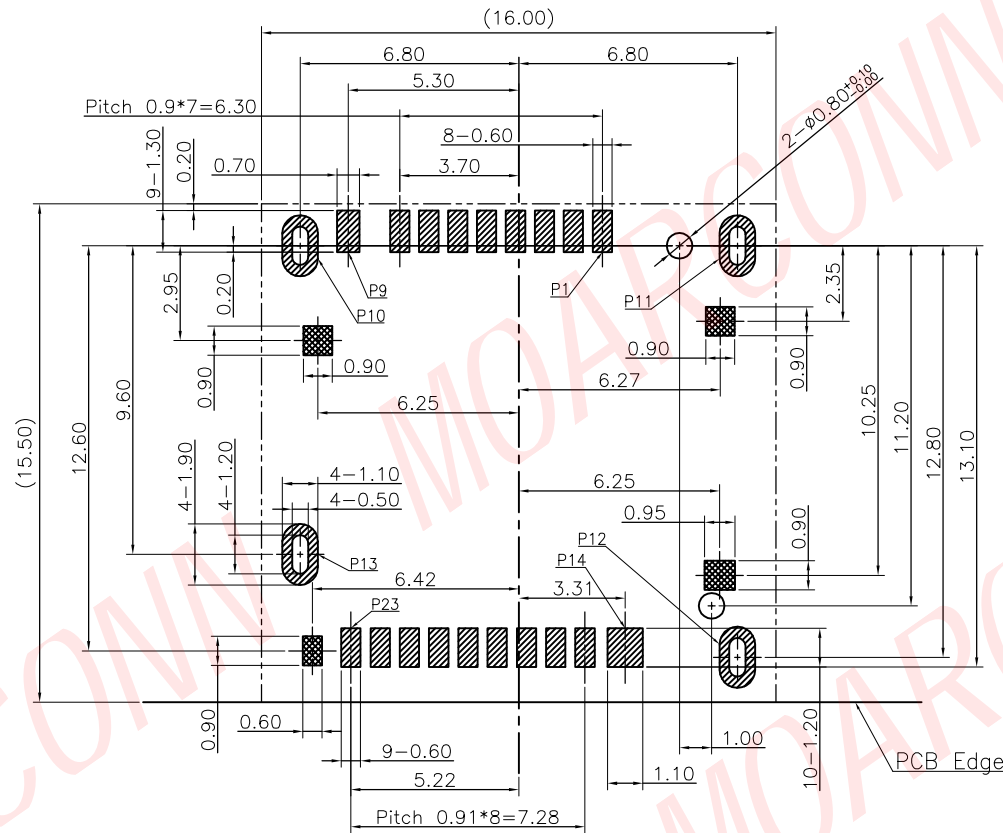
DIMENSIONS INIT: mm
UNLESS OTHERWISE SPECIFIABLE
DIMENSION TOLERANCE
X.X: ± 0.35
X.XX: ± 0.20
X.XXX: ± 0.10
ANGULAR: ± 2'

PRODUCT NAME :	MicroSD 4.0 Standoff 2.43 push-push	DRAWING:	Alexander	DATE:	2020.04.03
PRODUCT NO. :	MS370-D1150-11	CHECK:		DATE:	
DRAWING NO. :	D-MS370-D1150-11	APPROVED:		DATE:	
SCALE:	1:1	DWG ID:	C D	REV.:	A
				PAGE:	1 OF 2

A	----	PRE-RELEASE	Alexander	2020.04.03
REVISION NO.	ECR NO.	DESCRIPTION	MARK	DATE

A
B
C
D
E
F

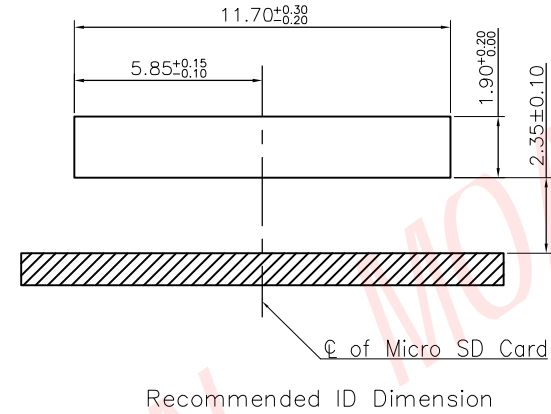
All materials, plating and process meet HF requirements.



- Pad Area
- Other Component Keepout Area
- Red Gluing Area

Recommended PCB Layout
Top View (Tolerance: 0.05)

	Card Detect Switch
Card Uninsertion	Open
Card Half Insertion	Open
Card Insertion	Close
	Open Close



Recommended ID Dimension

Pin No.	Pin Assignment
P1	Micro SD DAT2
P2	Micro SD CD/DAT3
P3	Micro SD CMD
P4	Micro SD VDD1
P5	Micro SD CLK
P6	Micro SD VSS
P7	Micro SD DAT0/RCLK+
P8	Micro SD DAT1/RCLK-
P9	Micro SD CD
P10	GND
P11	GND
P12	GND
P13	GND
P14	GND
P15	Micro SD VDD2
P16	Micro SD SWIO
P17	Micro SD VSS
P18	Micro SD D0+
P19	Micro SD D0-
P20	Micro SD VSS
P21	Micro SD D1-
P22	Micro SD D1+
P23	Micro SD VSS

Note:

1. Material:
 - 1-1. Plastic: LCP, S470, Black, UL94V-0
 - 1-2. Contact: C5210-H
 - 1-3. Shell: SUS304-H
2. Plating:
 - 2-1. Contact:
 - Contact Area: Au 1μ" min. Plating Over Ni 50μ" min.
 - Soldertail: Gold Flash Plating Over Ni 50μ" min.
 - 2-2. Shell:
 - Solderability Ni 50μ" min. Over All
3. Contact And Tail Coplanarity To Be 0.10mm max.

MOARCONN <small>MORE CONNECTIONS SMART FUTURE</small>		DONG GUAN MOARCONN ELECTRONIC Co.,Ltd.				
DIMENSIONS INIT: mm UNLESS OTHERWISE SPECIFIABLE DIMENSION TOLERANCE X.X: ± 0.35 X.XX: ± 0.20 X.XXX: ± 0.10 ANGULAR: ± 2°	PRODUCT NAME :	MicroSD 4.0 Standoff 2.43 push-push	DRAWING:	Alexander	DATE:	2020.04.03
	PRODUCT NO. :	MS370-T1150-11	CHECK:		DATE:	
	DRAWING NO. :	D-MS370-T1150-11	APPROVED:		DATE:	
			SCALE:	1.5:1	DWG ID:	C D
						PAGE: 2 OF 2

REVISION NO.	ECR NO.	DESCRIPTION	MARK	DATE
A	----	NEW RELEASE	Alexander	2020.04.03
1				
2				
3				