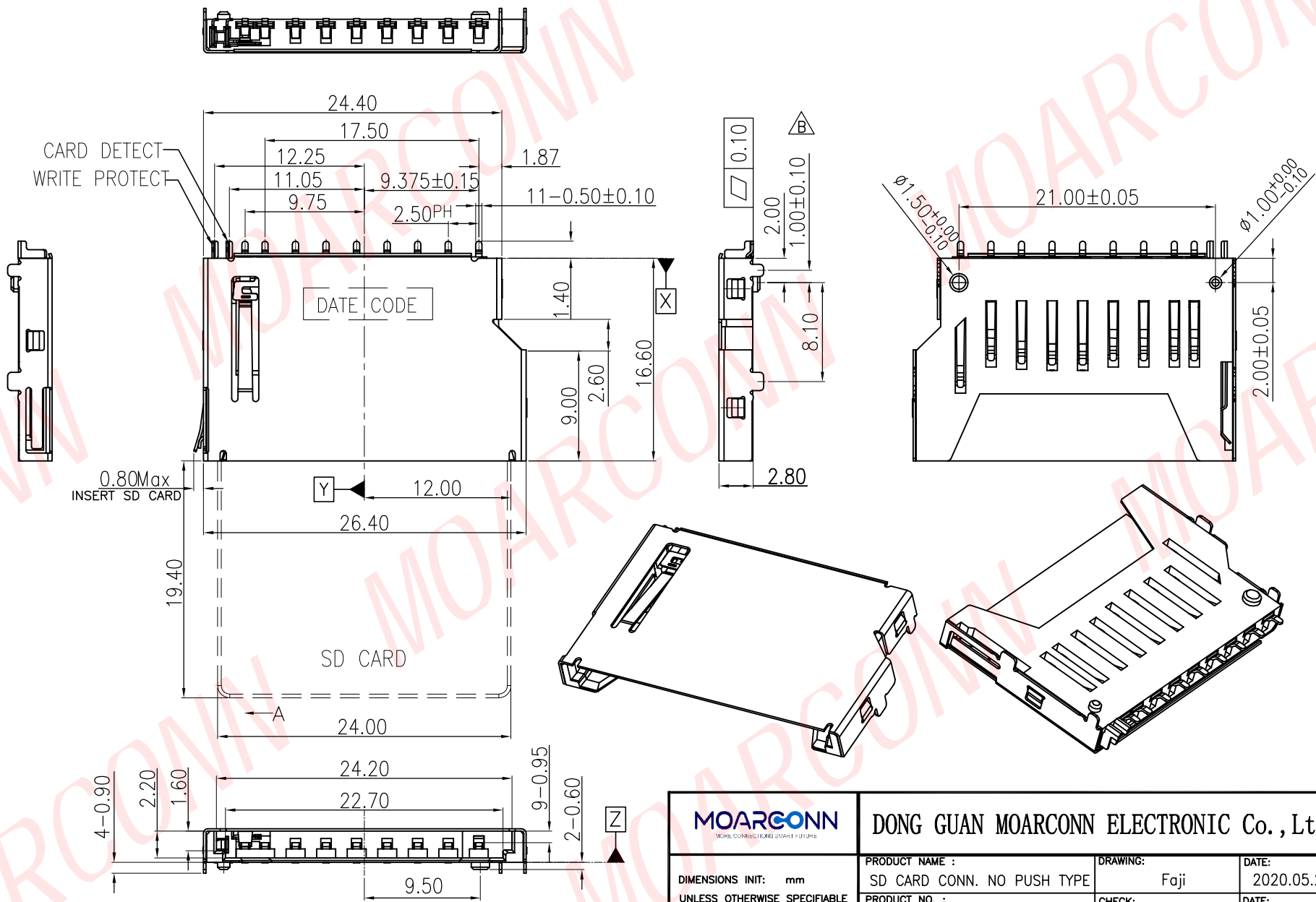


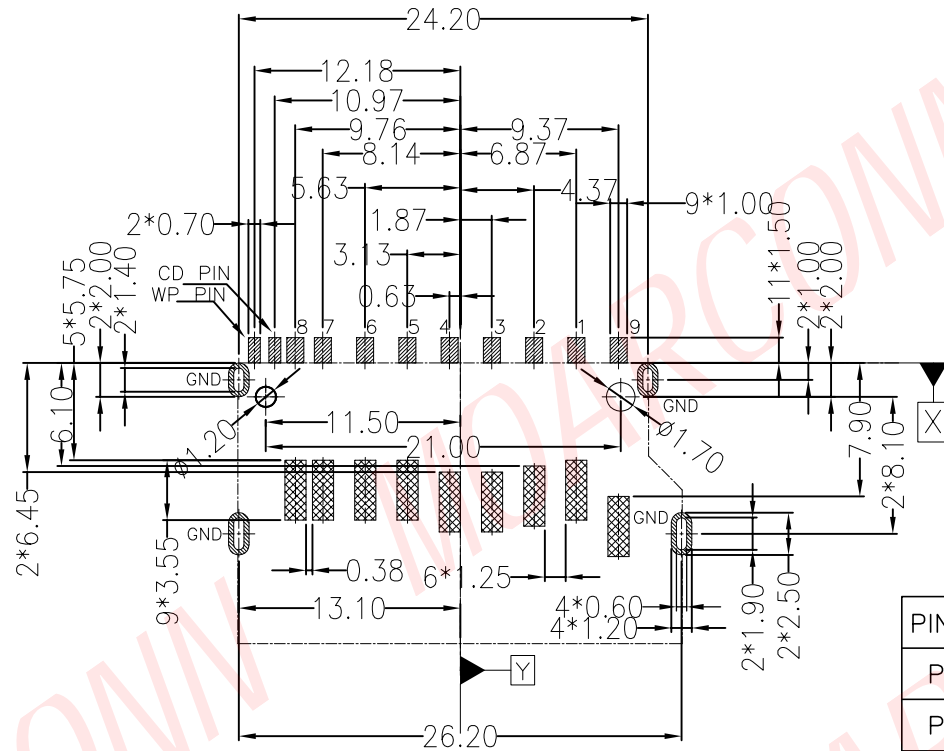
All materials, plating and process meet HF requirements.



B	ER2005047	Add control dimension	Faji	2020.05.26
A	----	NEW RELEASE	janyz	2019.03.25
REVISION NO.	ECR NO.	DESCRIPTION	MARK	DATE

		DONG GUAN MOARCONN ELECTRONIC Co.,Ltd.			
		DIMENSIONS INIT: mm		DRAWING: Faji	
UNLESS OTHERWISE SPECIFIABLE		PRODUCT NAME : SD CARD CONN. NO PUSH TYPE		DATE: 2020.05.26	
DIMENSION TOLERANCE		PRODUCT NO. : SDD-T1250-71		CHECK: DATE:	
X.X: ± 0.38		DRAWING NO. : D-SDD-T1250-71		APPROVED: DATE:	
X.XX: ± 0.25				SCALE: 1:1	
X.XXX: ± 0.15				DWG ID: C D	
ANGULAR: ± 3'		REV.: B		PAGE: 1 OF 2	

All materials, plating and process meet HF requirements.



RECOMMENDED P.C.B LAYOUT  
(General tolerance  $\pm 0.05$ )

-  PAD AREA
-  KEEP OUT AREA
-  NO COPPER AREA  
(NO TRACE & VIA & GND)
-  GND PATTERN ONLY

PIN NO.	DESCRIPTION
PIN1	DAT 3
PIN2	CMD
PIN3	VSS
PIN4	VDD
PIN5	CLK
PIN6	VSS2
PIN7	DAT 0
PIN8	DAT 1
PIN9	DAT 2

NOTES :

1.MATERIAL :

- 1-1.INSULATOR : HIGH TEMPERATURE THERMOPLASTIC  
.FLAMMABILITY RARING (LCP) : E130I Black UL94V-0
- 1-2.CONTACT : Phosphor Bronze(C5191-EH,T=0.2 $\pm$ 0.03mm)
- 1-3.COVER : Brass (C2680R-H,T=0.2 $\pm$ 0.03mm)



2.PLATING:

- 2-1.CONTACT: PLATED 50u" Ni OVERALL  
G/F SELECTIVE CONTACT ARE  
PLATED 80u" SN OVER Ni ON SOLDER ARE
- 2-2.SHELL: PLATED 50u" Ni OVERALL

3.ELECTRICAL CHARACTERISTICS:

- 3-1.CONTACT CURRENT RATING:0.5 A
- 3-2.VOLTAGE RATING:250VRMS
- 3-3.DIELECTRIC WITHSTANDING VOLTAGE: AC 500V r.m.s.
- 3-4.INSULATION RESISTANCE:1000 M $\Omega$  Minimum.
- 3-5.CONTACT RESISTANCE:100 m $\Omega$  Maximum.
- 3-6.INSERTION FORCE:10N Max
- 3-7.SEPARATION FORCE: 2N Min
- 3-8.OPERATING TEMPERATURE:-25 $^{\circ}$ C~90 $^{\circ}$ C
- 3-9.COPLANARITY: 0.10mm MAX.
- 3-10.MULTIMEDIA CARD COMPATIBLE
- 3-11.WP: WRITE PROTECT
- 3-12.CD: CARD DETECT INDICAITON6

- 4. Recommending A Metal More Than 0.15mm Thick.  
Please Confirm Solderadility, If Use A Metal  
Mask Less Than 0.15mm Thick.

 MOARCONN ELECTRONIC Co.,Ltd.		DONG GUAN MOARCONN ELECTRONIC Co.,Ltd.			
DIMENSIONS INIT: mm UNLESS OTHERWISE SPECIFIABLE	PRODUCT NAME : SD CARD CONN. NO PUSH TYPE	DRAWING: Faji	DATE: 2020.05.26		
DIMENSION TOLERANCE X.X: $\pm$ 0.38 X.XX: $\pm$ 0.25 X.XXX: $\pm$ 0.15 ANGULAR: $\pm$ 3'	PRODUCT NO. : SDD-T1250-71	CHECK: 	DATE: 		
	DRAWING NO. : D-SDD-T1250-71	APPROVED: 	DATE: 		
		SCALE: 1:1	DWG ID: C D	REV.: B	PAGE: 2 of 2

REVISION NO.	ECR NO.	DESCRIPTION	MARK	DATE
B	ER2005047	Add control dimension	Faji	2020.05.26
A	----	NEW RELEASE	janyz	2019.03.25