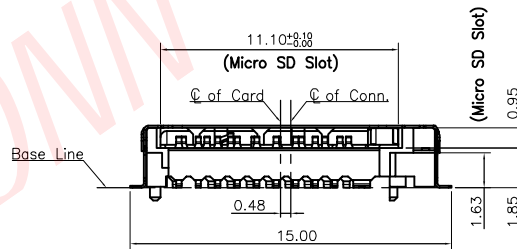
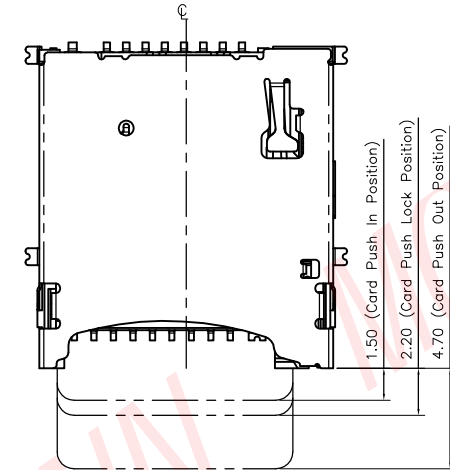
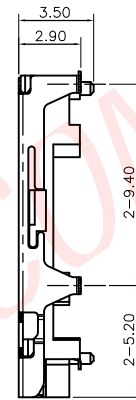
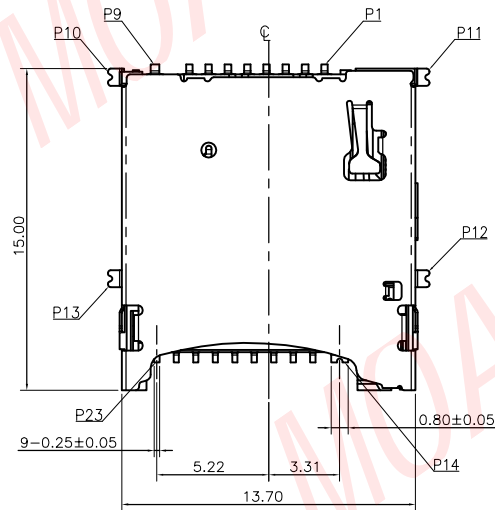
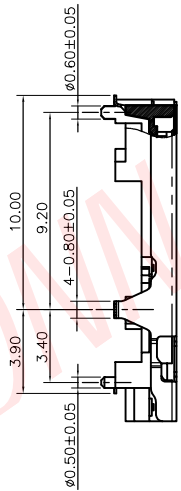
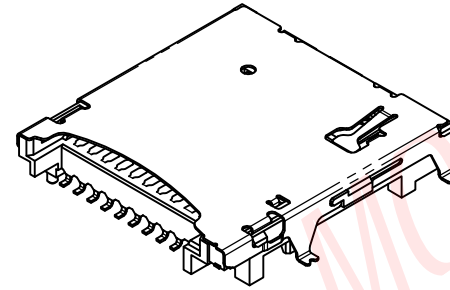
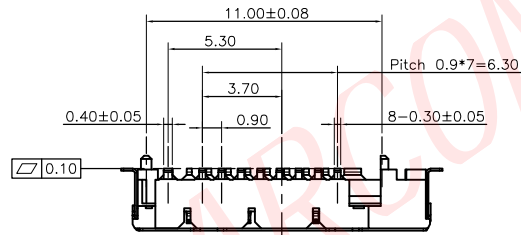


All materials, plating and process meet HF requirements.

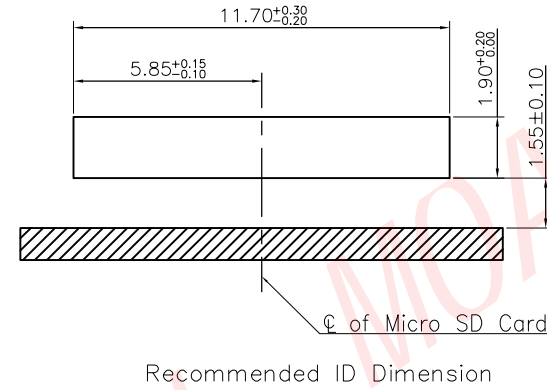
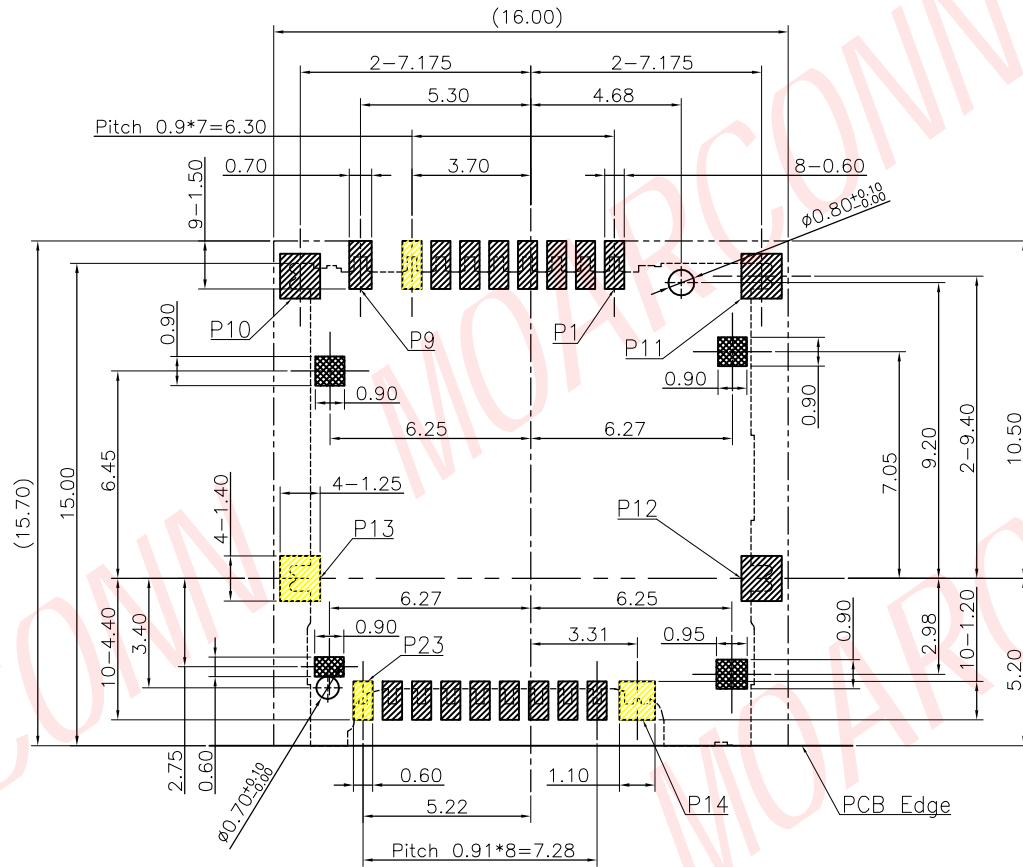


		DONG GUAN MOARCONN ELECTRONIC Co., Ltd.			
		PRODUCT NAME : MicroSD 4.0 Standoff 1.63 push-push	DRAWING: Alexander	DATE: 2019.12.19	
DIMENSIONS INIT: mm UNLESS OTHERWISE SPECIFIABLE		PRODUCT NO. : MS290-T1150-01	CHECK:	DATE:	
DIMENSION TOLERANCE X.X: ± 0.35 X.XX: ± 0.20 X.XXX: ± 0.10 ANGULAR: ± 2'		DRAWING NO. : D-MS290-T1150-01	APPROVED:	DATE:	
			SCALE: 1:1	DWG ID: C D	REV.: A
				PAGE: 1 OF 2	

A	----	NEW RELEASE	Alexander	2019.12.19
REVISION NO.	ECR NO.	DESCRIPTION	MARK	DATE

A
B
C
D
E
F

All materials, plating and process meet HF requirements.



Pin No.	Pin Assignment
P1	Micro SD DAT2
P2	Micro SD CD/DAT3
P3	Micro SD CMD
P4	Micro SD VDD1
P5	Micro SD CLK
P6	Micro SD VSS
P7	Micro SD DAT0/RCLK+
P8	Micro SD DAT1/RCLK-
P9	Micro SD CD
P10	GND
P11	GND
P12	GND
P13	GND
P14	GND
P15	Micro SD VDD2
P16	Micro SD SWIO
P17	Micro SD VSS
P18	Micro SD D0+
P19	Micro SD D0-
P20	Micro SD VSS
P21	Micro SD D1-
P22	Micro SD D1+
P23	Micro SD VSS

Note:

- Material:
 - 1-1. Plastic: LCP, S470, Black, UL94V-0
 - 1-2. Contact: C5210-H
 - 1-3. Shell: SUS304-H
- Plating:
 - 2-1. Contact:
 - Contact Area: Au 1μ" min. Plating Over Ni 50μ" min.
 - Soldertail: Plating Over G/F" min.
 - 2-2. Shell:
 - Solderability Ni 50μ" min. Over All
- Contact And Tail Coplanarity To Be 0.10mm max.

- Pad Area
- No Component Area
- Red Gluing Area
- Product Area

Recommended PCB Layout
Top View (Tolerance ±0.05)

	Card Detect Switch
Card Uninsertion	Open
Card Half Insertion	Open
Card Insertion	Close

Open	Close

REVISION NO.	ECR NO.	DESCRIPTION	MARK	DATE
A	----	NEW RELEASE	Alexander	2019.12.19

MOARCONN MORE CONNECTIONS SMART FUTURE		DONG GUAN MOARCONN ELECTRONIC Co., Ltd.			
DIMENSIONS INIT: mm	UNLESS OTHERWISE SPECIFIABLE	PRODUCT NAME : MicroSD 4.0 Standoff 1.63 push-push	DRAWING: Alexander	DATE: 2019.12.19	
DIMENSION	TOLERANCE	PRODUCT NO. : MS290-T1150-01	CHECK:	DATE:	
X.X: ± 0.35	X.XX: ± 0.20	DRAWING NO. : D-MS290-T1150-01	APPROVED:	DATE:	
X.XXX: ± 0.10	ANGULAR: ± 2'		SCALE: 1.5:1	DWG ID: C D	REV.: A
				PAGE: 2 OF 2	