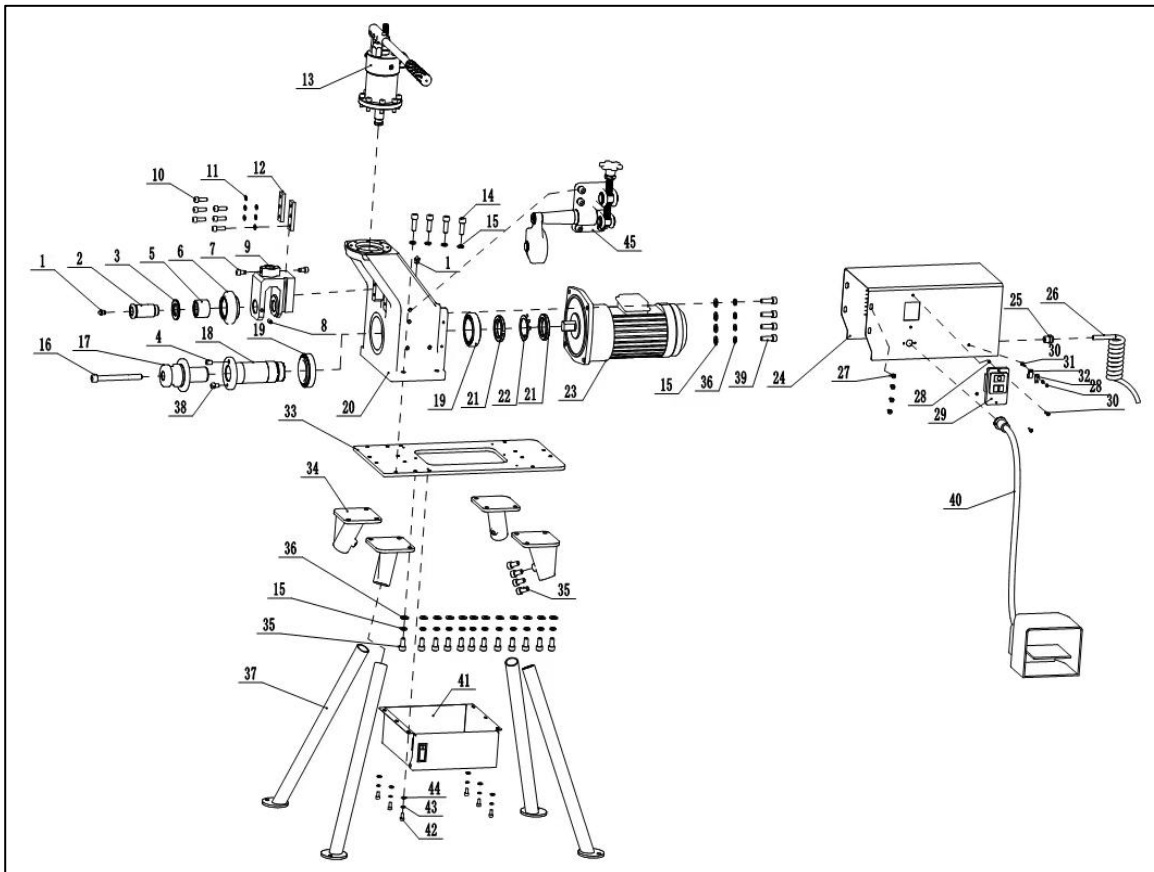


RG-1X Electric & Hydraulic Roll Grooving Machine

Explosive view & part list

Standard Machine Set



| No. | Item Code | Specification | No./ Unit | Type | Note |
|-----|-----------|-------------------------|-----------|--------------|------|
| 1 | 15027 | grease nuzzle | 2 | * std. parts | |
| 2 | 11046 | groove shaft | 1 | ** machined | |
| 3 | 15002 | rollerer bearing | 3 | *** bearing | |
| 4 | 15106 | pin $\phi 10 \times 18$ | 1 | * std. parts | |
| 5 | 15003 | rollerer bearing | 3 | *** bearing | |
| 6 | 12011 | ^groove roller 1" ~ 1½" | 1 | *** roller | |
| 6 | 12012 | ^groove roller 2"~6" | 1 | *** roller | |
| 6 | 12013 | ^groove roller 8" | 1 | *** roller | |
| 7 | 19040 | piston fix screw | 2 | ** machined | |
| 8 | 15115 | set screw | 1 | * std. parts | |
| 9 | 18006 | slide block | 1 | ** machined | |
| 10 | 15046 | hex screw | 6 | * std. parts | |
| 11 | 15074 | spring washer | 6 | * std. parts | |
| 12 | 13015 | slide key | 2 | ** machined | |
| 13 | 98009 | hydraulic pump RG-1X | 1 | ** asselbly | |
| 14 | 15076 | hex screw | 4 | * std. parts | |
| 15 | 15078 | spring washer | 16 | * std. parts | |
| 16 | 15004 | hex screw | 1 | * std. parts | |
| 17 | 11042 | drive roller 1" ~ 1 ½" | 1 | *** roller | |
| 17 | 11043 | drive roller 2" ~ 6" | 1 | *** roller | |

RG-1X Electric & Hydraulic Roll Grooving Machine

Explosive view & part list

| | | | | | |
|----|-------|------------------------|----|--------------|--------------------|
| 17 | 11044 | drive roller 8" | 1 | *** roller | |
| 18 | 11047 | main drive shaft | 1 | ** machined | |
| 19 | 15001 | tapered roller bearing | 2 | *** bearing | |
| 20 | 10004 | housing | 1 | * casting | |
| 21 | 15107 | nut | 2 | * std. parts | |
| 22 | 15108 | lock washer | 1 | * std. parts | |
| 23 | 98007 | thress phase motor | 1 | ** motor | alternative |
| 23 | 98008 | single phase motor | 1 | ** motor | alternative |
| 24 | 14005 | motor cover | 1 | ** machined | |
| 25 | 15130 | cable plug | 1 | ** electric | |
| 26 | 15087 | electric cable (3mtrs) | 3 | ** electric | |
| 27 | 15080 | hex screw | 4 | * std. parts | |
| 28 | 15084 | hex screw | 4 | * std. parts | |
| 29 | 15085 | power switch | 1 | ** electric | |
| 30 | 15083 | pan head screw | 3 | * std. parts | |
| 31 | 15197 | cable clip | 1 | *std. parts | |
| 32 | 15196 | ground plate | 1 | *std. parts | |
| 33 | 13016 | base plate | 1 | ** machined | |
| 34 | 10006 | foot socket | 4 | * casting | |
| 35 | 15007 | hex screw | 16 | * std. parts | |
| 36 | 15075 | flat washer | 12 | * std. parts | |
| 37 | 11054 | support bars | 4 | ** machined | |
| 38 | 15105 | hex screw | 1 | * std. parts | |
| 39 | 15076 | hex screw | 4 | * std. parts | |
| 40 | 98026 | foot switch | 1 | ** electric | optional |
| 41 | 98037 | tool box RG-1X | 1 | ** machined | |
| 42 | 15104 | hex screw | 6 | * std. parts | |
| 43 | 15124 | spring washer | 6 | * std. parts | |
| 44 | 15123 | flat washer | 6 | * std. parts | |
| 45 | 98033 | pipe stabilizer | 1 | ** asselbly | optional |
| 46 | 98082 | pipe stand 1"~12" | 1 | ** asselbly | |

**Remark ^: Groove roller only works with #15002 & #15003 roller bearings.
Each roller requires 2 bearings.**

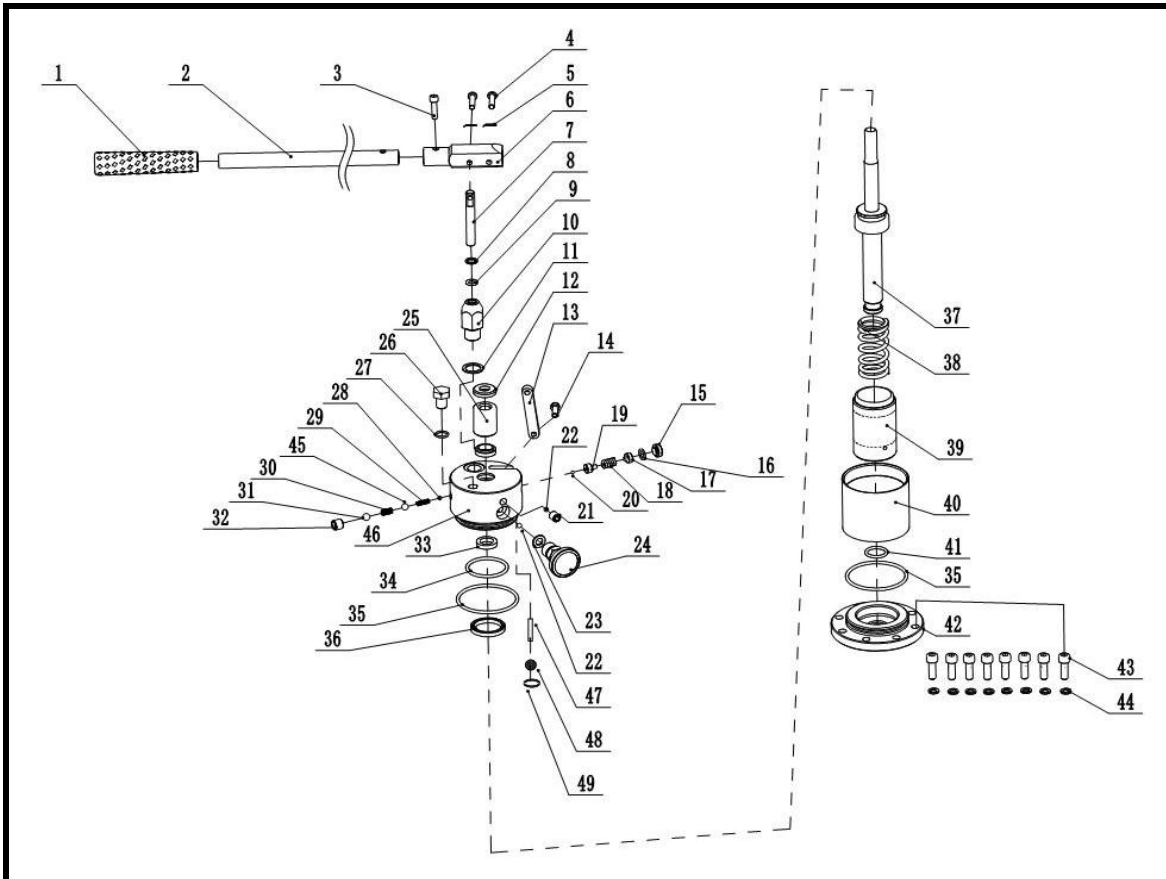
Spare part recommendation:

- Type * No need for inventory, can be found at local market or covered in warranty;
- Type ** Small local inventory recommended for missing/ physical damage;
- Type *** Local inventory recommended for replacing;

RG-1X Electric & Hydraulic Roll Grooving Machine

Explosive view & part list

Hydraulic Pump



| No. | Item Code | Specification | No./ Unit | Type | Note |
|------|-----------|--------------------|-----------|--------------|--|
| 1 | 15062 | plastic sleeve | 1 | * std. parts | |
| 2 | 19015 | pump lever | 1 | ** machined | |
| 3 | 15042 | hex screw | 1 | * std. parts | |
| 4 | 15057 | hinge pin | 2 | * std. parts | |
| 5 | 15060 | split pin | 2 | * std. parts | |
| 6 | 18004 | lever seat | 1 | ** machined | |
| 7-11 | 98017 | hex cylinder | 1 | ** asselbly | |
| 7 | 19028 | piston rod | 1 | ** machined | not recommend to order separately order #98017 instead |
| 8 | 16026 | PTFE gasket | 1 | *** sealing | |
| 9 | 16027 | O-ring | 1 | *** sealing | |
| 10 | 19024 | hex cylinder liner | 1 | ** machined | |
| 11 | 15117 | brass washer | 1 | * std. parts | |
| 12 | 19026 | lock nut | 1 | ** machined | |
| 13 | 19031 | slide block | 1 | ** machined | |
| 14 | 15042 | hex screw | 1 | * std. parts | |
| 15 | 19005 | releave valve plug | 1 | ** machined | |
| 16 | 16002 | O-ring | 1 | *** sealing | |
| 17 | 19006 | adjust screw | 1 | ** machined | |
| 18 | 19016 | adjust spring | 1 | ** spring | |
| 19 | 19018 | ball seat | 1 | ** machined | |

RG-1X Electric & Hydraulic Roll Grooving Machine

Explosive view & part list

Hydraulic Pump

| | | | | | |
|----|-------|-------------------------|---|--------------|--|
| 20 | 16017 | steel ball | 1 | *** sealing | |
| 21 | 15065 | plug | 1 | * std. parts | |
| 22 | 16018 | steel ball | 1 | *** sealing | |
| 23 | 15064 | brass washer | 1 | * std. parts | |
| 24 | 98016 | release valve | 1 | ** asselbly | |
| 25 | 19027 | stop knob | 1 | ** machined | |
| 26 | 19039 | grease nuzzle | 1 | ** machined | |
| 27 | 16001 | O-ring | 1 | *** sealing | |
| 28 | 16019 | steel ball | 1 | *** sealing | |
| 29 | 19038 | spring of filling valve | 1 | ** spring | |
| 30 | 19037 | spring of outlet valve | 1 | ** spring | |
| 31 | 16015 | steel ball | 1 | *** sealing | |
| 32 | 15066 | plug | 1 | * std. parts | |
| 33 | 16028 | gasket | 1 | *** sealing | |
| 34 | 16029 | O-ring | 1 | *** sealing | |
| 35 | 16030 | O-ring | 2 | *** sealing | |
| 36 | 16031 | gasket | 1 | *** sealing | |
| 37 | 19029 | piston | 1 | ** machined | |
| 38 | 19035 | spring | 1 | ** spring | |
| 39 | 19034 | cylinder housing | 1 | ** machined | |
| 40 | 19032 | oil cilinder | 1 | ** machined | |
| 41 | 16032 | O-ring | 1 | *** sealing | |
| 42 | 19036 | pump seat | 1 | ** machined | |
| 43 | 15111 | hex screw | 8 | * std. parts | |
| 44 | 15074 | spring washer | 8 | * std. parts | |
| 45 | 16016 | steel ball | 1 | *** sealing | |
| 46 | 19009 | pump head assembly | 1 | ** machined | |
| 47 | 19008 | oil suction tubing | 1 | *** sealing | |
| 48 | 15067 | copper filter | 1 | * std. parts | |
| 49 | 16004 | O-ring | 1 | *** sealing | |

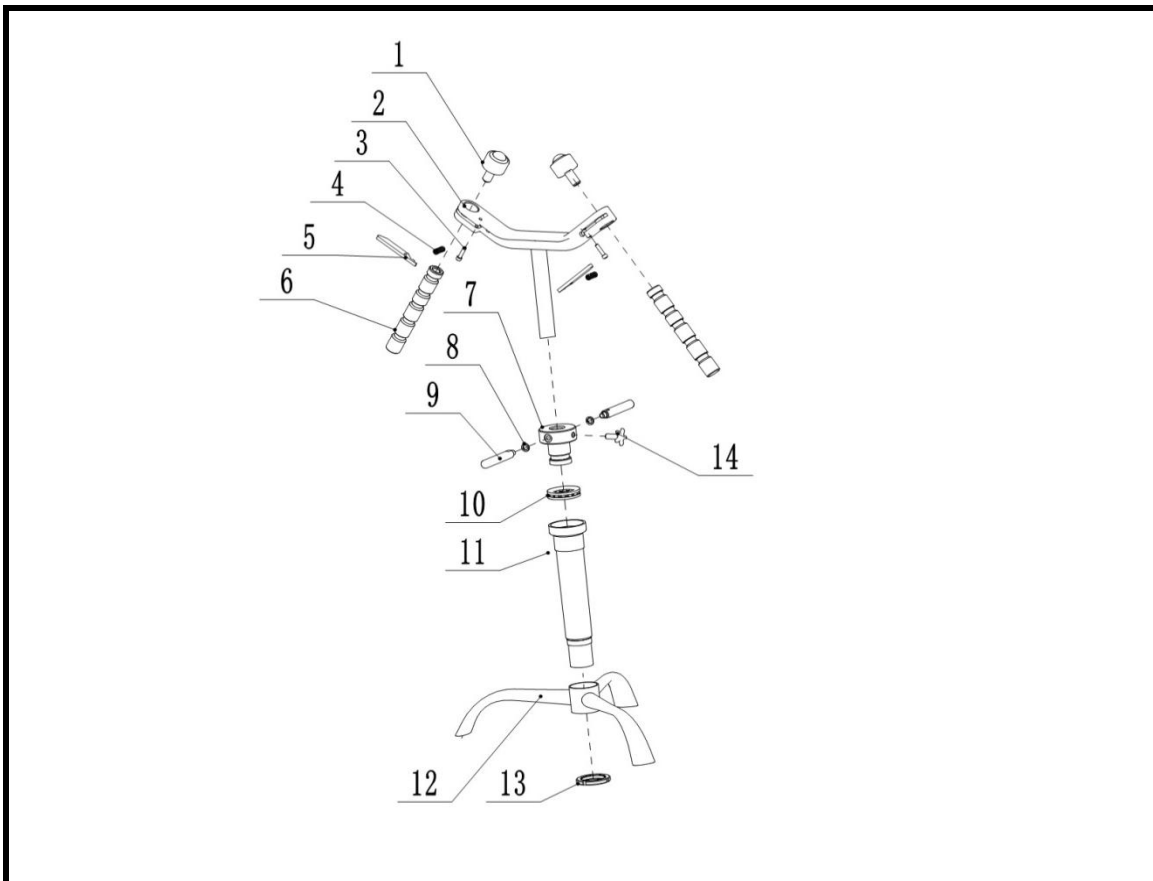
Spare part recommendation:

- Type * No need for inventory, can be found at local market or covered in warranty;
- Type ** Small local inventory recommended for missing/ physical damage;
- Type *** Local inventory recommended for replacing;

RG-1X Electric & Hydraulic Roll Grooving Machine

Explosive view & part list

Pipe Stand



| No. | Item Code | Specification | No./ Unit | Type | Note |
|-----|-----------|------------------|-----------|--------------|------|
| 1 | 15153 | ball seat | 2 | * std. parts | |
| 2 | 18010 | v-bracket | 1 | ** machined | |
| 3 | 15042 | hex screw | 2 | * std. parts | |
| 4 | 15154 | spring | 2 | ** spring | |
| 5 | 13028 | locating block | 2 | ** machined | |
| 6 | 11123 | ball joint axle | 2 | ** machined | |
| 7 | 11048 | adjusting socket | 1 | ** machined | |
| 8 | 15078 | spring washer | 2 | * std. parts | |
| 9 | 11077 | handle | 2 | ** machined | |
| 10 | 15155 | ball bearing | 1 | *** bearing | |
| 11 | 21025 | axle sleeve | 1 | ** machined | |
| 12 | 15156 | five feet stand | 1 | ** machined | |
| 13 | 15107 | round nut | 1 | * std. parts | |
| 14 | 15157 | set wheel | 1 | * std. parts | |

Spare part recommendation:

Type * No need for inventory, can be found at local market or covered in warranty;

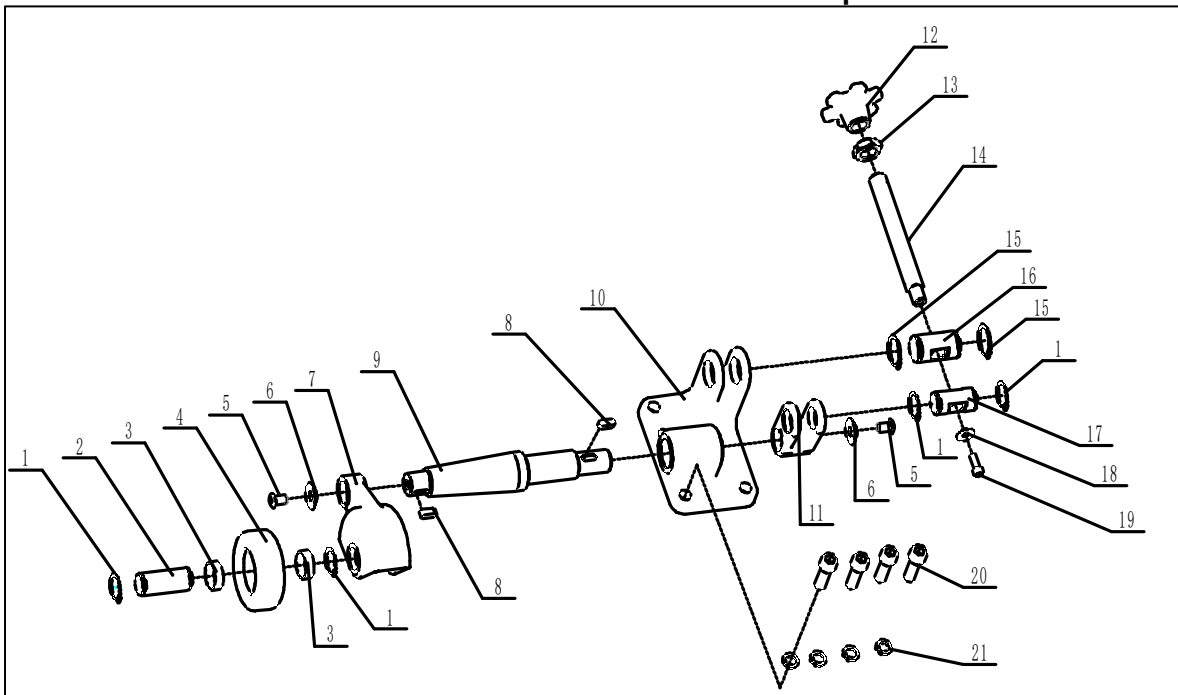
Type ** Small local inventory recommended for missing/ physical damage;

Type *** Local inventory recommended for replacing;

RG-1X Electric & Hydraulic Roll Grooving Machine

Explosive view & part list

Pipe Stabilizer



| No. | Item Code | Specification | No./ Unit | Type | Note |
|-----|-----------|----------------|-----------|--------------|------|
| 1 | 15096 | elastic collar | 4 | * std. parts | |
| 2 | 11061 | roller axle | 1 | ** machined | |
| 3 | 12015 | axle sleeve | 2 | ** machined | |
| 4 | 15097 | nylon roller | 1 | * std. parts | |
| 5 | 15009 | hex screw | 2 | * std. parts | |
| 6 | 15098 | washer | 2 | * std. parts | |
| 7 | 10010 | roller housing | 1 | * casting | |
| 8 | 15099 | flat key | 2 | * std. parts | |
| 9 | 11076 | main shaft | 1 | ** machined | |
| 10 | 10011 | roller seat | 1 | * casting | |
| 11 | 10012 | rotation arm | 1 | * casting | |
| 12 | 15100 | hand wheel | 1 | * std. parts | |
| 13 | 15101 | hex nut | 1 | * std. parts | |
| 14 | 11063 | thread rod | 1 | ** machined | |
| 15 | 15102 | elastic collar | 2 | * std. parts | |
| 16 | 11064 | feed axle | 1 | ** machined | |
| 17 | 11065 | rotation axle | 1 | ** machined | |
| 18 | 15103 | washer | 1 | * std. parts | |
| 19 | 15104 | hex screw | 1 | * std. parts | |
| 20 | 15076 | hex screw | 4 | * std. parts | |
| 21 | 15078 | spring washer | 4 | * std. parts | |

Spare part recommendation:

Type * No need for inventory, can be found at local market or covered in warranty;

Type ** Small local inventory recommended for missing/ physical damage;

Type *** Local inventory recommended for replacing;