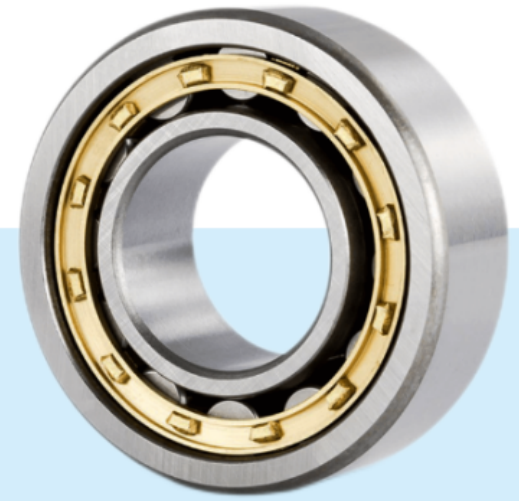


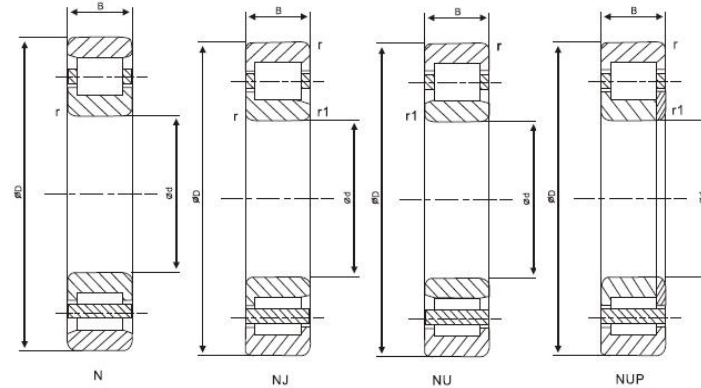


CYLINDRICAL ROLLER BEARING



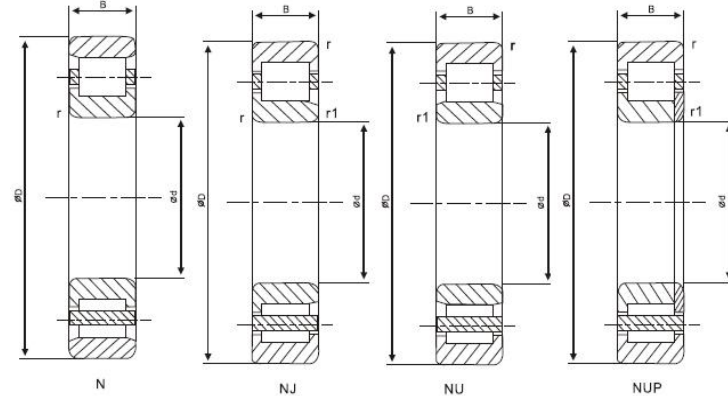
CYLINDRICAL ROLLER BEARING

CYLINDRICAL ROLLER BEARING



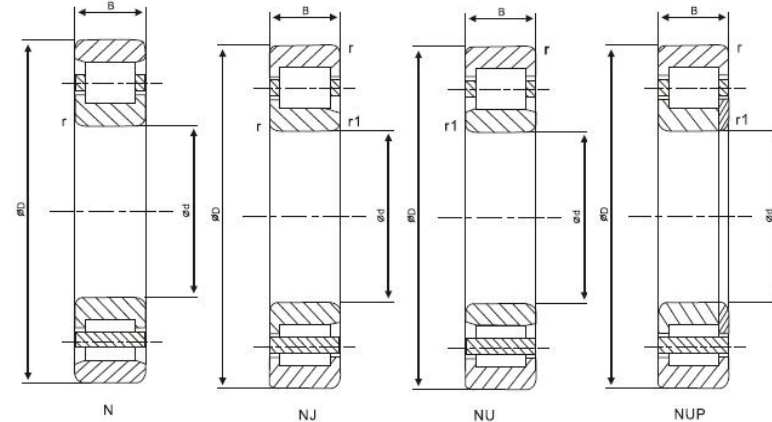
Bearing No.	Boundary dimensions					Basic load rating(kN)		Limiting speeds		Mass Kg
	mm					Dynamic	Static	rpm		
	d	D	B	r _{s min}	r _{s1 min}	Cr	Cor	Grease	Oil	
N208	40	80	18	1.1	1.1	43.5	43	9,400	11,000	0.37
N209	45	85	19	1.1	1.1	46	47	8,400	9,900	0.423
N210	50	90	20	1.1	1.1	48	51	7,600	9,000	0.46
N211	55	100	21	1.5	1.1	58	62.5	6,900	8,200	0.626
N212	60	110	22	1.5	1.5	68.5	75	6,400	7,600	0.802
N213	65	120	23	1.5	1.5	84	94.5	5,900	7,000	1
N214	70	125	24	1.5	1.5	83.5	95	5,500	6,500	1.1
N215	75	130	25	1.5	1.5	96.5	111	5,100	6,000	1.21
N216	80	140	26	2	2	106	122	4,800	5,700	1.47
N217	85	150	28	2	2	120	140	4,500	5,300	1.83
N218	90	160	30	2	2	152	178	4,300	5,000	2.25
N219	95	170	32	2.1	2.1	166	195	4,000	4,700	2.72
N220	100	180	34	2.1	2.1	183	217	3,800	4,500	3.26
N221	105	190	36	2.1	2.1	201	241	3,600	4,300	3.87
N222	110	200	38	2.1	2.1	240	290	3,400	4,000	4.54
N224	120	215	40	2.1	2.1	260	320	3,200	3,700	5.46
N226	130	230	40	3	3	270	340	2,900	3,400	6.17
N228	140	250	42	3	3	310	400	2,700	3,100	7.72
N230	150	270	45	3	3	345	435	2,500	2,900	9.72

CYLINDRICAL ROLLER BEARING



Bearing No.	Boundary dimensions					Basic load rating(kN)		Limiting speeds		Mass Kg
	mm					Dynamic	Static	rpm		
	d	D	B	$r_{s \text{ min}}$	$r_{s1 \text{ min}}$	Cr	Cor	Grease	Oil	
N1005	25	47	12	0.6	0.3	15.1	14.1	16,000	19,000	0.091
N1006	30	55	13	1	0.6	19.7	19.6	14,000	16,000	0.128
N1007	35	62	14	1	0.6	22.6	23.2	12,000	15,000	0.176
N1008	40	68	15	1	0.6	27.3	29	11,000	13,000	0.217
N1009	45	75	16	1	0.6	31	34	9,900	12,000	0.276
N1010	50	80	16	1	0.6	32	36	8,900	11,000	0.291
N1011	55	90	18	1.1	1	37.5	44	8,200	9,700	0.435
N1012	60	95	18	1.1	1	40	48.5	7,500	8,800	0.467
N1013	65	100	18	1.1	1	41	51	7,000	8,200	0.477
N1014	70	110	20	1.1	1	58.5	70.5	6,500	7,600	0.689
N1015	75	115	20	1.1	1	60	74.5	6,100	7,100	0.727
N1016	80	125	22	1.1	1	72.5	90.5	5,700	6,700	0.965
N1017	85	130	22	1.1	1	74.5	95.5	5,400	6,300	1.01
N1018	90	140	24	1.5	1.1	88	114	5,100	5,900	1.31
N1019	95	145	24	1.5	1.1	90.5	120	4,800	5,600	1.38
N1020	100	150	24	1.5	1.1	93	126	4,600	5,400	1.43
N1021	105	160	26	2	1.1	105	142	4,300	5,100	1.81
N1022	110	170	28	2	1.1	131	174	4,100	4,800	2.3
N1024	120	180	28	2	1.1	139	191	3,800	4,400	2.4
N1026	130	200	33	2	1.1	172	238	3,400	4,000	3.63
N1028	140	210	33	2	1.1	176	250	3,200	3,800	3.98
N1030	150	225	35	2.1	1.5	202	294	3,000	3,500	4.7

CYLINDRICAL ROLLER BEARING



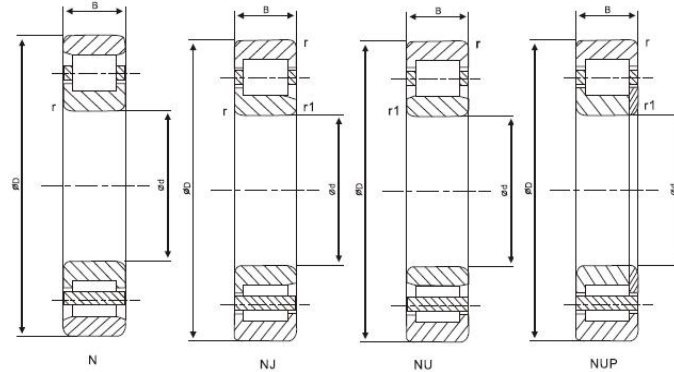
Bearing No.	Boundary dimensions					Basic load rating(kN)		Limiting speeds		Mass Kg
	mm					Dynamic	Static	rpm		
	d	D	B	r _{s min}	r _{s1 min}	Cr	Cor	Grease	Oil	
NF303E	17	47	14	1	0.6	24.65	21.16	13000	15000	0.139
NF304E	20	52	15	1.1	0.6	23.1	19.2	14000	17000	0.149
NF305E	25	62	17	1.1	1.1	38.5	35.8	9000	12000	0.24
NF306E	30	72	19	1.1	1.1	49.2	48.2	8000	10000	0.38
NF307E	35	80	21	1.5	1.1	62	63.2	7000	9000	0.54
NF308E	40	90	23	1.5	1.5	76.8	77.8	6300	8000	0.65
NF309E	45	100	25	1.5	1.5	93	98	5600	7000	0.95
NF310E	50	110	27	2	2	105	112	5300	6700	1.2
NF311E	55	120	29	2	2	128	138	4800	6000	1.61
NF312E	60	130	31	2.1	2.1	142	155	4500	5600	1.94
NF313E	65	140	33	2.1	2.1	170	188	4000	5000	2.42
NF314E	70	150	35	2.1	2.1	195	220	3800	4800	2.9
NF315E	75	160	37	2.1	2.1	228	260	3600	4500	3.59
NF316E	80	170	39	2.1	2.1	245	270	3400	4300	3.9
NF317E	85	180	41	3	3	265	280	3200	4000	5.2
NF318E	90	190	43	3	3	290	320	3000	3800	6.17
NF319E	95	200	45	3	3	320	350	2800	3600	6.92
NF320E	100	215	47	3	3	355	380	2600	3200	8.24
NF321E	105	225	49	3	3	390	420	2200	3000	9.9
NF322E	110	240	50	3	3	415	470	2000	2800	11.2

CYLINDRICAL ROLLER BEARING

NF324E	120	260	55	3	3	440	552	1900	2600	14.1
--------	-----	-----	----	---	---	-----	-----	------	------	------

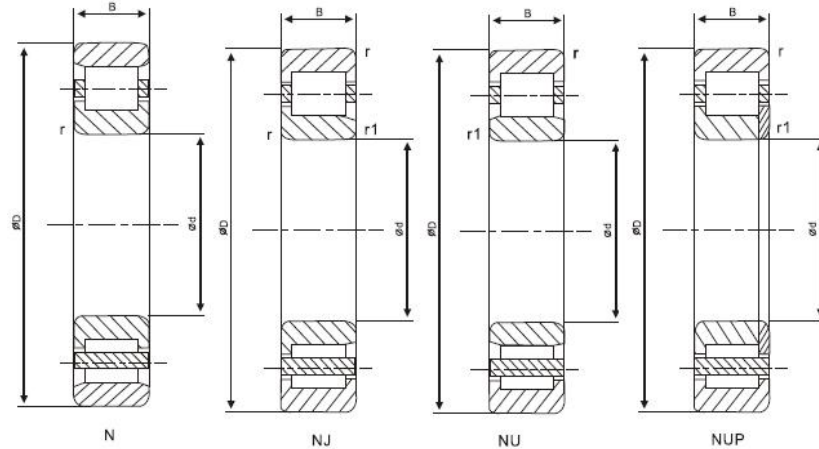


CYLINDRICAL ROLLER BEARING



Bearing No.	Boundary dimensions					Basic load rating(kN)		Limiting speeds		Mass
	mm					Dynamic	Static	rpm		Kg
	d	D	B	$r_{s \min}$	$r_{s1 \min}$	Cr	Cor	Grease	Oil	
NF2203EM	17	40	16	0.6	0.3	24	22	16000	18000	0.095
NF2204EM	20	47	18	1	0.6	22.2	20.3	15000	18000	0.141
NF2205EM	25	52	18	1	0.6	23.7	22.8	10000	14000	0.168
NF2206EM	30	62	20	1	0.6	23.9	33.1	7500	11000	0.3
NF2207EM	35	72	23	1.1	0.6	49	51.2	6500	9500	0.45
NF2208EM	40	80	23	1.1	1.1	58.3	62	6000	9000	0.49
NF2209EM	45	85	23	1.1	1.1	61.4	67.8	5300	8000	0.54
NF2210EM	50	90	23	1.1	1.1	64.2	73.6	5000	7500	0.65
NF2211EM	55	100	25	1.5	1.1	75.3	87.2	4300	6700	0.77
NF2212EM	60	110	28	1.5	1.5	101	123	4000	6300	1.09
NF2213EM	65	120	31	1.5	1.5	120	149	3500	5600	1.55
NF2214EM	70	125	31	1.5	1.5	119	151	3300	5300	1.7
NF2215EM	75	130	31	1.5	1.5	135	172	3000	5000	1.8
NF2216EM	80	140	33	2	2	148	186	2800	4800	2.2
NF2217EM	85	150	36	2	2	169	218	2600	4500	2.8
NF2218EM	90	160	40	2	2	207	265	2400	4300	3.6
NF2219EM	95	170	43	2.1	2.1	230	298	2200	4000	4.3
NF2220EM	100	180	46	2.1	2.1	259	338	2000	3800	5.99
NF2222EM	110	200	53	2.1	2.1	334	442	1600	3400	8.7
NF2224EM	120	215	58	2.1	2.1	367	492	1200	3000	9.55
NF2226EM	130	230	64	3	3	395	560	1000	2800	11.9

CYLINDRICAL ROLLER BEARING



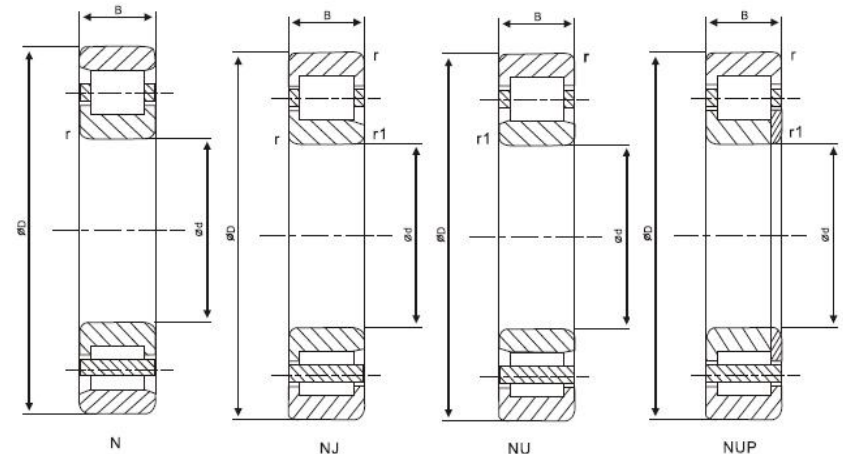
Bearing No.	Boundary dimensions					Basic load rating(kN)		Limiting speeds		Mass
	mm					Dynamic	Static	rpm		
	d	D	B	$r_{s \min}$	$r_{s1 \min}$	Cr	Cor	Grease	Oil	Kg
NJ204E	20	47	14	1	0.6	25.7	22.6	15,000	18,000	0.122
NJ205E	25	52	15	1	0.6	29.3	27.7	13,000	15,000	0.151
NJ206E	30	62	16	1	0.6	39	37.5	11,000	13,000	0.226
NJ207E	35	72	17	1.1	0.6	50.5	50	9,500	11,000	0.327
NJ208	40	80	18	1.1	1.1	43.5	43	9,400	11,000	0.378
NJ208E	40	80	18	1.1	1.1	55.5	55.5	8,500	10,000	0.426
NJ209	45	85	19	1.1	1.1	46	47	8,400	9,900	0.432
NJ209E	45	85	19	1.1	1.1	63	66.5	7,600	9,000	0.495
NJ210	50	90	20	1.1	1.1	48	51	7,600	9,000	0.47
NJ210E	50	90	20	1.1	1.1	66	72	6,900	8,100	0.54
NJ211	55	100	21	1.5	1.1	58	62.5	6,900	8,200	0.638
NJ211E	55	100	21	1.5	1.1	82.5	93	6,300	7,400	0.718
NJ212	60	110	22	1.5	1.5	68.5	75	6,400	7,600	0.818
NJ212E	60	110	22	1.5	1.5	97.5	107	5,800	6,800	0.923
NJ213	65	120	23	1.5	1.5	84	94.5	5,900	7,000	1.02
NJ213E	65	120	23	1.5	1.5	108	119	5,400	6,300	1.21
NJ214	70	125	24	1.5	1.5	83.5	95	5,500	6,500	1.12
NJ214E	70	125	24	1.5	1.5	119	137	5,000	5,900	1.3

CYLINDRICAL ROLLER BEARING

NJ215	75	130	25	1.5	1.5	96.5	111	5,100	6,000	1.23
NJ215E	75	130	25	1.5	1.5	130	156	4,700	5,500	1.41
NJ216	80	140	26	2	2	106	122	4,800	5,700	1.5
NJ216E	80	140	26	2	2	139	167	4,400	5,100	1.67
NJ217	85	150	28	2	2	120	140	4,500	5,300	1.87
NJ217E	85	150	28	2	2	167	199	4,100	4,800	2.11
NJ218	90	160	30	2	2	152	178	4,300	5,000	2.3
NJ218E	90	160	30	2	2	182	217	3,900	4,600	2.44
NJ219	95	170	32	2.1	2.1	166	195	4,000	4,700	2.78
NJ219E	95	170	32	2.1	2.1	220	265	3,600	4,300	3.02
NJ220	100	180	34	2.1	2.1	183	217	3,800	4,500	3.33
NJ221	105	190	36	2.1	2.1	201	241	3,600	4,300	3.95
NJ222	110	200	38	2.1	2.1	240	290	3,400	4,000	4.63
NJ224	120	215	40	2.1	2.1	260	320	3,200	3,700	5.57
NJ226	130	230	40	3	3	270	340	2,900	3,400	6.3
NJ226E	130	230	40	3	3	365	455	2,600	3,100	6.9
NJ228	140	250	42	3	3	310	400	2,700	3,100	7.88
NJ228E	140	250	42	3	3	395	515	2,400	2,800	8.73
NJ230	150	270	45	3	3	345	435	2,500	2,900	9.92
NJ230E	150	270	45	3	3	450	595	2,200	2,600	11



CYLINDRICAL ROLLER BEARING



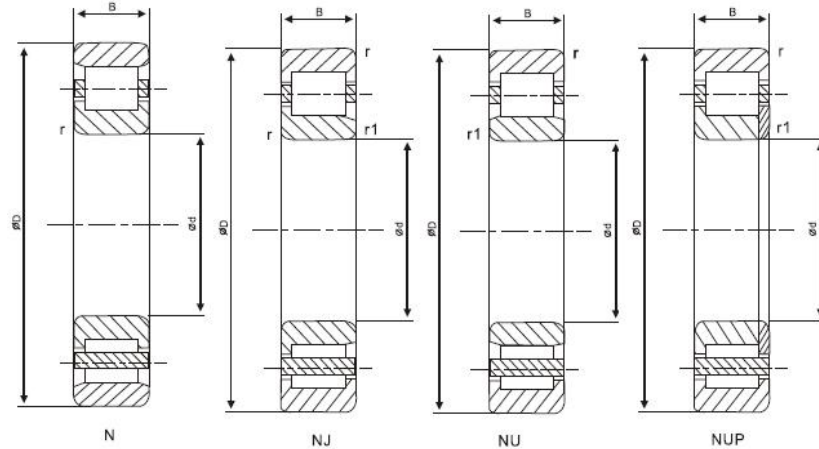
Bearing No.	Boundary dimensions					Basic load rating(kN)		Limiting speeds		Mass
	mm					Dynamic	Static	rpm		Kg
	d	D	B	$r_{s \min}$	$r_{s1 \min}$	C_r	C_{or}	Grease	Oil	
NJ304E	20	52	15	1.1	0.6	31.5	26.9	13,000	15,000	0.176
NJ305E	25	62	17	1.1	1.1	41.5	37.5	11,000	13,000	0.275
NJ306E	30	72	19	1.1	1.1	53	50	9,300	11,000	0.398
NJ307E	35	80	21	1.5	1.1	71	71	8,100	9,600	0.545
NJ308	40	90	23	1.5	1.5	58.5	57	8,000	9,400	0.658
NJ308E	40	90	23	1.5	1.5	83	81.5	7,200	8,500	0.754
NJ309	45	100	25	1.5	1.5	74	71	7,200	8,400	0.877
NJ309E	45	100	25	1.5	1.5	97.5	98.5	6,500	7,600	0.996
NJ310	50	110	27	2	2	87	86	6,500	7,700	1.14
NJ310E	50	110	27	2	2	110	113	5,900	6,900	1.3
NJ311	55	120	29	2	2	111	111	5,900	7,000	1.45
NJ311E	55	120	29	2	2	137	143	5,300	6,300	1.65
NJ312	60	130	31	2.1	2.1	124	126	5,500	6,500	1.8
NJ312E	60	130	31	2.1	2.1	150	157	4,900	5,800	2.05
NJ313	65	140	33	2.1	2.1	135	139	5,100	6,000	2.23
NJ313E	65	140	33	2.1	2.1	181	191	4,600	5,400	2.54
NJ314	70	150	35	2.1	2.1	158	168	4,700	5,500	2.71

CYLINDRICAL ROLLER BEARING

NJ314E	70	150	35	2.1	2.1	205	222	4,200	5,000	3.1
NJ315	75	160	37	2.1	2.1	190	205	4,400	5,200	3.28
NJ315E	75	160	37	2.1	2.1	240	263	4,000	4,700	3.74
NJ316	80	170	39	2.1	2.1	190	207	4,100	4,800	3.86
NJ316E	80	170	39	2.1	2.1	256	282	3,700	4,400	4.22
NJ317	85	180	41	3	3	212	228	3,900	4,600	4.54
NJ317E	85	180	41	3	3	291	330	3,500	4,100	4.81
NJ318	90	190	43	3	3	240	265	3,700	4,300	5.3
NJ318E	90	190	43	3	3	315	355	3,300	3,900	5.72
NJ319	95	200	45	3	3	259	285	3,400	4,000	6.13
NJ319E	95	200	45	3	3	335	385	3,100	3,600	6.62
NJ320	100	215	47	3	3	299	335	3,300	3,800	7.49
NJ320E	100	215	47	3	3	380	425	2,900	3,500	8.57
NJ321	105	225	49	3	3	320	360	3,100	3,700	8.53
NJ322	110	240	50	3	3	360	400	3,000	3,500	10
NJ322E	110	240	50	3	3	450	525	2,700	3,100	11.1
NJ324	120	260	55	3	3	450	510	2,700	3,200	12.8
NJ324E	120	260	55	3	3	530	610	2,400	2,800	13.9
NJ326	130	280	58	4	4	560	665	2,500	2,900	17.4
NJ326E	130	280	58	4	4	615	735	2,200	2,600	19.4
NJ328	140	300	62	4	4	615	745	2,300	2,700	21.2
NJ328E	140	300	62	4	4	665	795	2,100	2,400	23.2
NJ330	150	320	65	4	4	665	805	2,100	2,500	25.3
NJ330E	150	320	65	4	4	760	920	1,900	2,300	28.4



CYLINDRICAL ROLLER BEARING



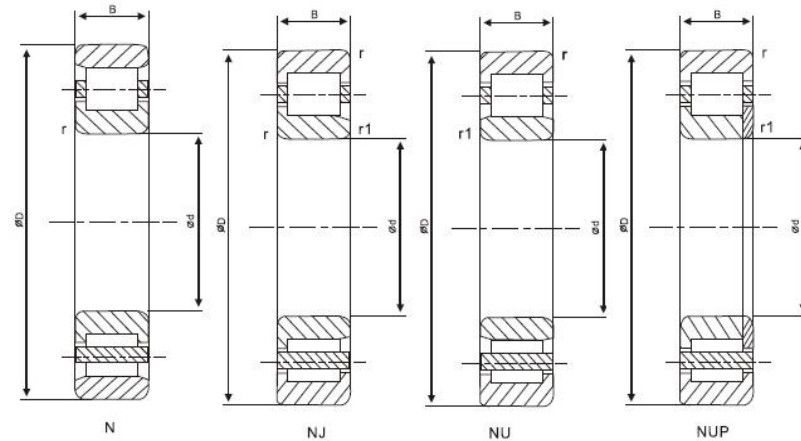
Bearing No.	Boundary dimensions					Basic load rating(kN)		Limiting speeds		Mass
	mm					Dynamic	Static	rpm		
	d	D	B	$r_{s \min}$	$r_{s1 \min}$	Cr	Cor	Grease	Oil	Kg
NJ1005	25	47	12	0.6	0.3	15.1	14.1	16,000	19,000	0.092
NJ1006	30	55	13	1	0.6	19.7	19.6	14,000	16,000	0.13
NJ1007	35	62	14	1	0.6	22.6	23.2	12,000	15,000	0.179
NJ1008	40	68	15	1	0.6	27.3	29	11,000	13,000	0.22
NJ1009	45	75	16	1	0.6	31	34	9,900	12,000	0.28
NJ1010	50	80	16	1	0.6	32	36	8,900	11,000	0.295
NJ1011	55	90	18	1.1	1	37.5	44	8,200	9,700	0.442
NJ1012	60	95	18	1.1	1	40	48.5	7,500	8,800	0.474
NJ1013	65	100	18	1.1	1	41	51	7,000	8,200	0.485
NJ1014	70	110	20	1.1	1	58.5	70.5	6,500	7,600	0.699
NJ1015	75	115	20	1.1	1	60	74.5	6,100	7,100	0.738
NJ1016	80	125	22	1.1	1	72.5	90.5	5,700	6,700	0.98
NJ1017	85	130	22	1.1	1	74.5	95.5	5,400	6,300	1.03
NJ1018	90	140	24	1.5	1.1	88	114	5,100	5,900	1.33
NJ1019	95	145	24	1.5	1.1	90.5	120	4,800	5,600	1.4
NJ1020	100	150	24	1.5	1.1	93	126	4,600	5,400	1.45
NJ1021	105	160	26	2	1.1	105	142	4,300	5,100	1.84
NJ1022	110	170	28	2	1.1	131	174	4,100	4,800	2.33

CYLINDRICAL ROLLER BEARING

NJ1024	120	180	28	2	1.1	139	191	3,800	4,400	2.44
NJ1026	130	200	33	2	1.1	172	238	3,400	4,000	3.69
NJ1028	140	210	33	2	1.1	176	250	3,200	3,800	4.05
NJ1030	150	225	35	2.1	1.5	202	294	3,000	3,500	4.77



CYLINDRICAL ROLLER BEARING



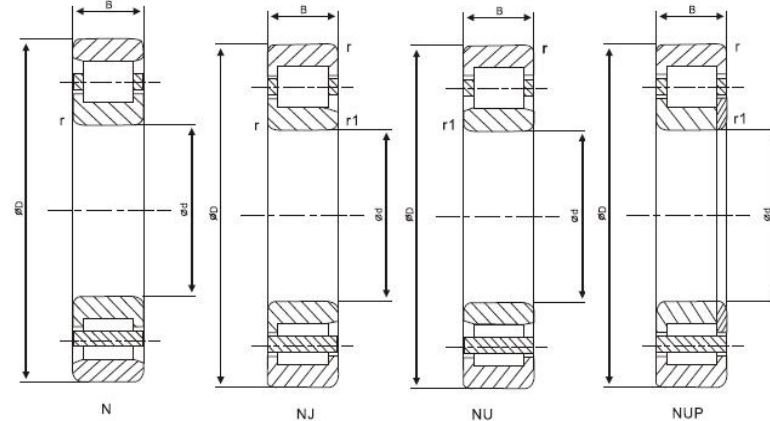
Bearing No.	Boundary dimensions					Basic load rating(kN)		Limiting speeds		Mass
	mm					Dynamic	Static	rpm		Kg
	d	D	B	$r_{s \text{ min}}$	$r_{s1 \text{ min}}$	Cr	Cor	Grease	Oil	
NJ2204E	20	47	18	1	0.6	30.5	28.3	14,000	16,000	0.158
NJ2205E	25	52	18	1	0.6	35	34.5	11,000	13,000	0.186
NJ2206E	30	62	20	1	0.6	49	50	9,700	11,000	0.297
NJ2207E	35	72	23	1.1	0.6	61.5	65.5	8,500	10,000	0.455
NJ2208	40	80	23	1.1	1.1	58	62	8,500	10,000	0.49
NJ2208E	40	80	23	1.1	1.1	72.5	77.5	7,600	8,900	0.552
NJ2209	45	85	23	1.1	1.1	61.5	68	7,600	9,000	0.53
NJ2209E	45	85	23	1.1	1.1	76	84.5	6,800	8,000	0.6
NJ2210	50	90	23	1.1	1.1	64	73.5	6,900	8,100	0.571
NJ2210E	50	90	23	1.1	1.1	79.5	91.5	6,200	7,300	0.652
NJ2211	55	100	25	1.5	1.1	75.5	87	6,300	7,400	0.773
NJ2211E	55	100	25	1.5	1.1	97	114	5,600	6,600	0.968
NJ2212	60	110	28	1.5	1.5	96	116	5,800	6,800	1.06
NJ2212E	60	110	28	1.5	1.5	131	157	5,200	6,100	1.21
NJ2213	65	120	31	1.5	1.5	120	149	5,400	6,300	1.4
NJ2213E	65	120	31	1.5	1.5	149	181	4,800	5,600	1.6
NJ2214	70	125	31	1.5	1.5	119	151	5,000	5,900	1.47
NJ2214E	70	125	31	1.5	1.5	156	194	4,500	5,200	1.7
NJ2215	75	130	31	1.5	1.5	130	162	4,700	5,500	1.55
NJ2215E	75	130	31	1.5	1.5	162	207	4,200	4,900	1.79
NJ2216	80	140	33	2	2	147	186	4,400	5,100	1.93
NJ2216E	80	140	33	2	2	186	243	3,900	4,600	2.12

CYLINDRICAL ROLLER BEARING

NJ2217	85	150	36	2	2	170	218	4,100	4,800	2.44
NJ2217E	85	150	36	2	2	217	279	3,700	4,300	2.68
NJ2218	90	160	40	2	2	197	248	3,900	4,600	3.1
NJ2218E	90	160	40	2	2	242	315	3,500	4,100	3.33
NJ2219	95	170	43	2.1	2.1	230	298	3,600	4,300	3.79
NJ2219E	95	170	43	2.1	2.1	286	370	3,300	3,800	4.14
NJ2220	100	180	46	2.1	2.1	258	340	3,500	4,100	4.57
NJ2220E	100	180	46	2.1	2.1	335	445	3,100	3,600	5.01
NJ2222	110	200	53	2.1	2.1	320	415	3,100	3,700	6.56
NJ2222E	110	200	53	2.1	2.1	385	515	2,800	3,300	7.4
NJ2224	120	215	58	2.1	2.1	350	460	2,900	3,400	8.19
NJ2224E	120	215	58	2.1	2.1	450	620	2,600	3,000	9.18
NJ2226	130	230	64	3	3	380	530	2,600	3,100	10.2
NJ2226E	130	230	64	3	3	530	735	2,300	2,700	11.8
NJ2228	140	250	68	3	3	445	635	2,400	2,800	12.9
NJ2228E	140	250	68	3	3	575	835	2,100	2,500	15.8
NJ2230	150	270	73	3	3	500	710	2,200	2,600	16.3
NJ2230E	150	270	73	3	3	660	980	2,000	2,400	19.7



CYLINDRICAL ROLLER BEARING



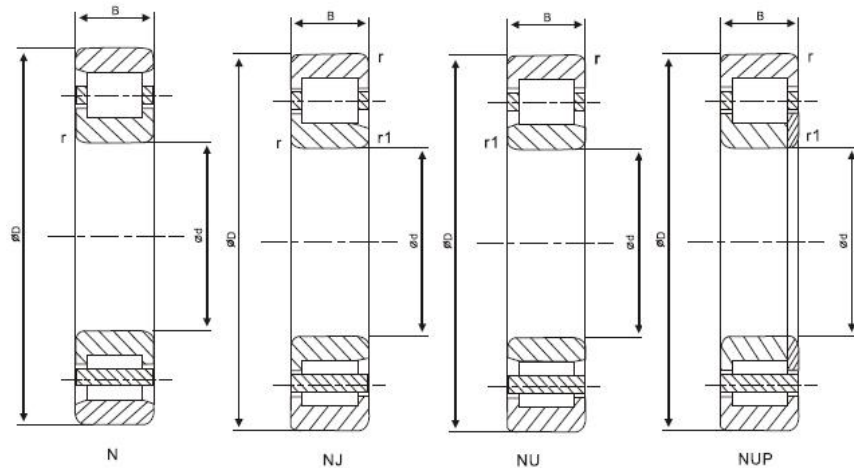
Bearing No.	Boundary dimensions					Basic load rating(kN)		Limiting speeds		Mass Kg
	mm					Dynamic	Static	rpm		
	d	D	B	$r_{s \text{ min}}$	$r_{s1 \text{ min}}$	Cr	Cor	Grease	Oil	
NJ2304E	20	52	21	1.1	0.6	42	39	12,000	14,000	0.242
NJ2305E	25	62	24	1.1	1.1	57	56	9,700	11,000	0.386
NJ2306E	30	72	27	1.1	1.1	74.5	77.5	8,300	9,700	0.58
NJ2307E	35	80	31	1.5	1.1	99	109	7,200	8,500	0.78
NJ2308	40	90	33	1.5	1.5	82.5	88	7,000	8,200	0.951
NJ2308E	40	90	33	1.5	1.5	114	122	6,400	7,500	1.06
NJ2309	45	100	36	1.5	1.5	99	104	6,300	7,400	1.27
NJ2309E	45	100	36	1.5	1.5	137	153	5,700	6,800	1.41
NJ2310	50	110	40	2	2	121	131	5,700	6,700	1.7
NJ2310E	50	110	40	2	2	163	187	5,200	6,100	1.9
NJ2311	55	120	43	2	2	148	162	5,200	6,100	2.17
NJ2311E	55	120	43	2	2	201	233	4,700	5,600	2.37
NJ2312	60	130	46	2.1	2.1	169	188	4,800	5,700	2.71
NJ2312E	60	130	46	2.1	2.1	222	262	4,400	5,200	2.96
NJ2313	65	140	48	2.1	2.1	188	212	4,400	5,200	3.27
NJ2313E	65	140	48	2.1	2.1	248	287	4,100	4,800	3.48
NJ2314	70	150	51	2.1	2.1	223	262	4,100	4,800	3.98
NJ2314E	70	150	51	2.1	2.1	274	325	3,800	4,400	4.25
NJ2315	75	160	55	2.1	2.1	258	300	3,800	4,500	4.87
NJ2315E	75	160	55	2.1	2.1	330	395	3,500	4,100	5.25

CYLINDRICAL ROLLER BEARING

NJ2316	80	170	58	2.1	2.1	274	330	3,600	4,200	5.79
NJ2316E	80	170	58	2.1	2.1	355	430	3,300	3,900	6.25
NJ2317	85	180	60	3	3	315	380	3,400	4,000	6.7
NJ2317E	85	180	60	3	3	395	485	3,100	3,700	7.16
NJ2318	90	190	64	3	3	325	395	3,200	3,800	7.95
NJ2318E	90	190	64	3	3	435	535	2,900	3,400	8.56
NJ2319	95	200	67	3	3	370	460	3,000	3,500	9.2
NJ2319E	95	200	67	3	3	460	585	2,700	3,200	9.8
NJ2320	100	215	73	3	3	410	505	2,900	3,400	11.7
NJ2320E	100	215	73	3	3	570	715	2,600	3,100	12.8
NJ2322	110	240	80	3	3	605	790	2,600	3,100	17.1
NJ2322E	110	240	80	3	3	675	880	2,400	2,800	19.4
NJ2324	120	260	86	3	3	710	920	2,400	2,800	21.5
NJ2324E	120	260	86	3	3	795	1,030	2,200	2,500	26.1
NJ2326	130	280	93	4	4	840	1,130	2,200	2,600	26.9
NJ2326E	130	280	93	4	4	920	1,230	2,000	2,300	30.9
NJ2328	140	300	102	4	4	920	1,250	2,000	2,300	33.8
NJ2328E	140	300	102	4	4	1,020	1,380	1,800	2,100	38.7



CYLINDRICAL ROLLER BEARING



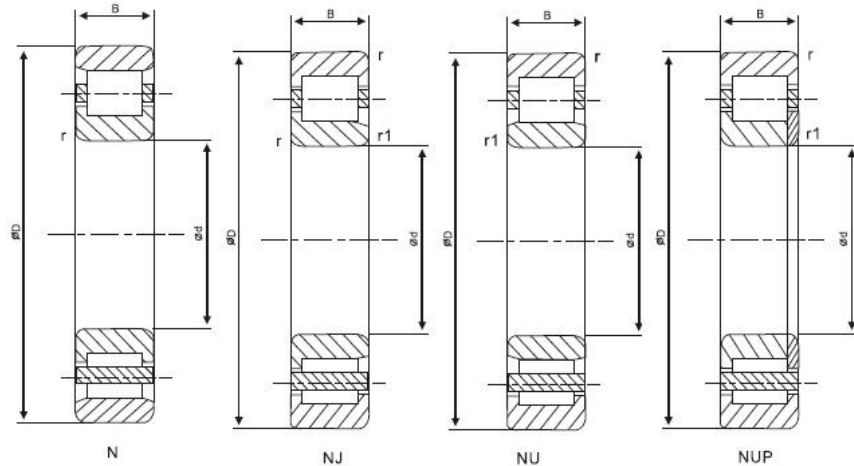
Bearing No.	Boundary dimensions					Basic load rating(kN)		Limiting speeds		Mass
	mm					Dynamic	Static	rpm		Kg
	d	D	B	$r_{s \text{ min}}$	$r_{s1 \text{ min}}$	C_r	C_{or}	Grease	Oil	
NU204E	20	47	14	1	0.6	25.7	22.6	15,000	18,000	0.122
NU205E	25	52	15	1	0.6	29.3	27.7	13,000	15,000	0.151
NU206E	30	62	16	1	0.6	39	37.5	11,000	13,000	0.226
NU207E	35	72	17	1.1	0.6	50.5	50	9,500	11,000	0.327
NU208	40	80	18	1.1	1.1	43.5	43	9,400	11,000	0.378
NU208E	40	80	18	1.1	1.1	55.5	55.5	8,500	10,000	0.426
NU209	45	85	19	1.1	1.1	46	47	8,400	9,900	0.432
NU209E	45	85	19	1.1	1.1	63	66.5	7,600	9,000	0.495
NU210	50	90	20	1.1	1.1	48	51	7,600	9,000	0.47
NU210E	50	90	20	1.1	1.1	66	72	6,900	8,100	0.54
NU211	55	100	21	1.5	1.1	58	62.5	6,900	8,200	0.638
NU211E	55	100	21	1.5	1.1	82.5	93	6,300	7,400	0.718
NU212	60	110	22	1.5	1.5	68.5	75	6,400	7,600	0.818
NU212E	60	110	22	1.5	1.5	97.5	107	5,800	6,800	0.923
NU213	65	120	23	1.5	1.5	84	94.5	5,900	7,000	1.02
NU213E	65	120	23	1.5	1.5	108	119	5,400	6,300	1.21
NU214	70	125	24	1.5	1.5	83.5	95	5,500	6,500	1.12
NU214E	70	125	24	1.5	1.5	119	137	5,000	5,900	1.3
NU215	75	130	25	1.5	1.5	96.5	111	5,100	6,000	1.23

CYLINDRICAL ROLLER BEARING

NU215E	75	130	25	1.5	1.5	130	156	4,700	5,500	1.41
NU216	80	140	26	2	2	106	122	4,800	5,700	1.5
NU216E	80	140	26	2	2	139	167	4,400	5,100	1.67
NU217	85	150	28	2	2	120	140	4,500	5,300	1.87
NU217E	85	150	28	2	2	167	199	4,100	4,800	2.11
NU218	90	160	30	2	2	152	178	4,300	5,000	2.3
NU218E	90	160	30	2	2	182	217	3,900	4,600	2.44
NU219	95	170	32	2.1	2.1	166	195	4,000	4,700	2.78
NU219E	95	170	32	2.1	2.1	220	265	3,600	4,300	3.02
NU220	100	180	34	2.1	2.1	183	217	3,800	4,500	3.33
NU220E	100	180	34	2.1	2.1	249	305	3,500	4,100	3.66
NU221	105	190	36	2.1	2.1	201	241	3,600	4,300	3.95
NU222	110	200	38	2.1	2.1	240	290	3,400	4,000	4.63
NU224	120	215	40	2.1	2.1	260	320	3,200	3,700	5.57
NU224E	120	215	40	2.1	2.1	335	420	2,900	3,400	5.97
NU226	130	230	40	3	3	270	340	2,900	3,400	6.3
NU226E	130	230	40	3	3	365	455	2,600	3,100	6.9
NU228	140	250	42	3	3	310	400	2,700	3,100	7.88
NU228E	140	250	42	3	3	395	515	2,400	2,800	8.73
NU230	150	270	45	3	3	345	435	2,500	2,900	9.92
NU230E	150	270	45	3	3	450	595	2,200	2,600	11



CYLINDRICAL ROLLER BEARING



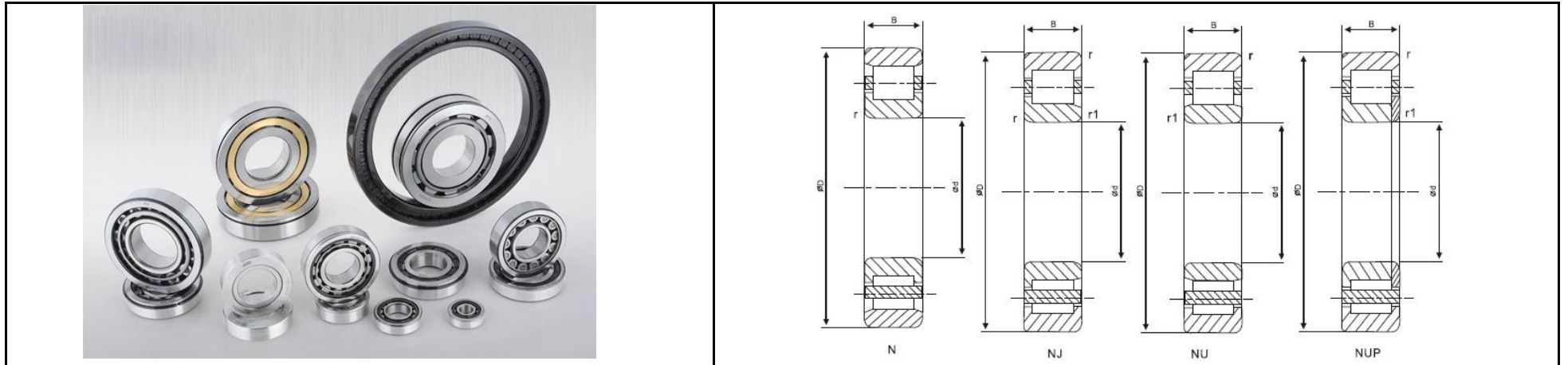
Bearing No.	Boundary dimensions					Basic load rating(kN)		Limiting speeds		Mass
	mm					Dynamic	Static	rpm		Kg
	d	D	B	$r_{s \text{ min}}$	$r_{s1 \text{ min}}$	C_r	C_{or}	Grease	Oil	
NU304E	20	52	15	1.1	0.6	31.5	26.9	13,000	15,000	0.176
NU305E	25	62	17	1.1	1.1	41.5	37.5	11,000	13,000	0.275
NU306E	30	72	19	1.1	1.1	53	50	9,300	11,000	0.398
NU307E	35	80	21	1.5	1.1	71	71	8,100	9,600	0.545
NU308	40	90	23	1.5	1.5	58.5	57	8,000	9,400	0.658
NU308E	40	90	23	1.5	1.5	83	81.5	7,200	8,500	0.754
NU309	45	100	25	1.5	1.5	74	71	7,200	8,400	0.877
NU309E	45	100	25	1.5	1.5	97.5	98.5	6,500	7,600	0.996
NU310	50	110	27	2	2	87	86	6,500	7,700	1.14
NU310E	50	110	27	2	2	110	113	5,900	6,900	1.3
NU311	55	120	29	2	2	111	111	5,900	7,000	1.45
NU311E	55	120	29	2	2	137	143	5,300	6,300	1.65
NU312	60	130	31	2.1	2.1	124	126	5,500	6,500	1.8
NU312E	60	130	31	2.1	2.1	150	157	4,900	5,800	2.05
NU313	65	140	33	2.1	2.1	135	139	5,100	6,000	2.23
NU313E	65	140	33	2.1	2.1	181	191	4,600	5,400	2.54
NU314	70	150	35	2.1	2.1	158	168	4,700	5,500	2.71
NU314E	70	150	35	2.1	2.1	205	222	4,200	5,000	3.1
NU315	75	160	37	2.1	2.1	190	205	4,400	5,200	3.28

CYLINDRICAL ROLLER BEARING

NU315E	75	160	37	2.1	2.1	240	263	4,000	4,700	3.74
NU316	80	170	39	2.1	2.1	190	207	4,100	4,800	3.86
NU316E	80	170	39	2.1	2.1	256	282	3,700	4,400	4.22
NU317	85	180	41	3	3	212	228	3,900	4,600	4.54
NU317E	85	180	41	3	3	291	330	3,500	4,100	4.81
NU318	90	190	43	3	3	240	265	3,700	4,300	5.3
NU318E	90	190	43	3	3	315	355	3,300	3,900	5.72
NU319	95	200	45	3	3	259	285	3,400	4,000	6.13
NU319E	95	200	45	3	3	335	385	3,100	3,600	6.62
NU320	100	215	47	3	3	299	335	3,300	3,800	7.49
NU320E	100	215	47	3	3	380	425	2,900	3,500	8.57
NU321	105	225	49	3	3	320	360	3,100	3,700	8.53
NU322	110	240	50	3	3	360	400	3,000	3,500	10
NU322E	110	240	50	3	3	450	525	2,700	3,100	11.1
NU324	120	260	55	3	3	450	510	2,700	3,200	12.8
NU324E	120	260	55	3	3	530	610	2,400	2,800	13.9
NU326	130	280	58	4	4	560	665	2,500	2,900	17.4
NU326E	130	280	58	4	4	615	735	2,200	2,600	19.4
NU328	140	300	62	4	4	615	745	2,300	2,700	21.2
NU328E	140	300	62	4	4	665	795	2,100	2,400	23.2
NU330	150	320	65	4	4	665	805	2,100	2,500	25.3
NU330E	150	320	65	4	4	760	920	1,900	2,300	28.4

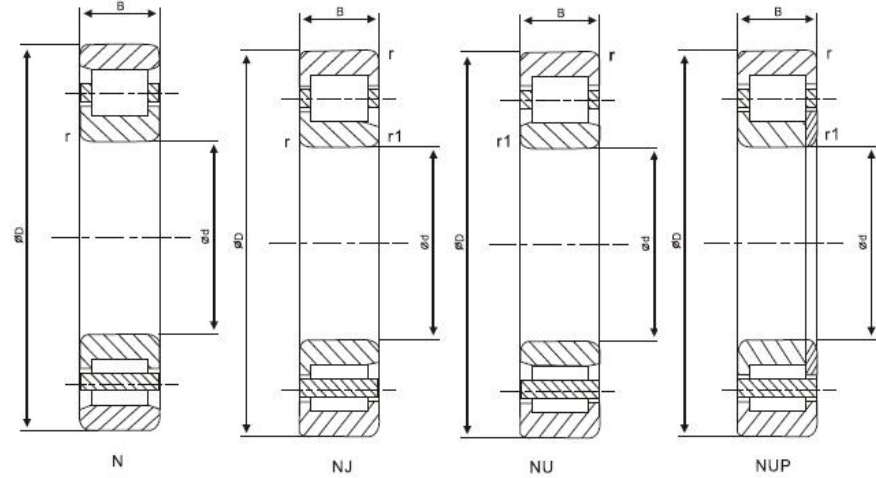


CYLINDRICAL ROLLER BEARING



Bearing No.	Boundary dimensions					Basic load rating(kN)		Limiting speeds		Mass
	mm					Dynamic	Static	rpm		Kg
	d	D	B	$r_{s \min}$	$r_{s1 \min}$	Cr	Cor	Grease	Oil	
NU1005	25	47	12	0.6	0.3	15.1	14.1	16,000	19,000	0.092
NU1006	30	55	13	1	0.6	19.7	19.6	14,000	16,000	0.13
NU1007	35	62	14	1	0.6	22.6	23.2	12,000	15,000	0.179
NU1008	40	68	15	1	0.6	27.3	29	11,000	13,000	0.22
NU1009	45	75	16	1	0.6	31	34	9,900	12,000	0.28
NU1010	50	80	16	1	0.6	32	36	8,900	11,000	0.295
NU1011	55	90	18	1.1	1	37.5	44	8,200	9,700	0.442
NU1012	60	95	18	1.1	1	40	48.5	7,500	8,800	0.474
NU1013	65	100	18	1.1	1	41	51	7,000	8,200	0.485
NU1014	70	110	20	1.1	1	58.5	70.5	6,500	7,600	0.699
NU1015	75	115	20	1.1	1	60	74.5	6,100	7,100	0.738
NU1016	80	125	22	1.1	1	72.5	90.5	5,700	6,700	0.98
NU1017	85	130	22	1.1	1	74.5	95.5	5,400	6,300	1.03
NU1018	90	140	24	1.5	1.1	88	114	5,100	5,900	1.33
NU1019	95	145	24	1.5	1.1	90.5	120	4,800	5,600	1.4
NU1020	100	150	24	1.5	1.1	93	126	4,600	5,400	1.45
NU1021	105	160	26	2	1.1	105	142	4,300	5,100	1.84
NU1022	110	170	28	2	1.1	131	174	4,100	4,800	2.33
NU1024	120	180	28	2	1.1	139	191	3,800	4,400	2.44
NU1026	130	200	33	2	1.1	172	238	3,400	4,000	3.69
NU1028	140	210	33	2	1.1	176	250	3,200	3,800	4.05
NU1030	150	225	35	2.1	1.5	202	294	3,000	3,500	4.77

CYLINDRICAL ROLLER BEARING



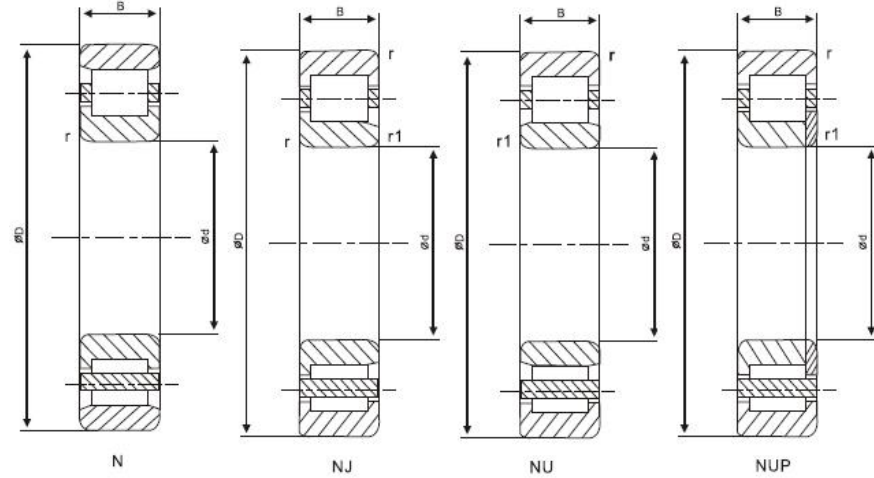
Bearing No.	Boundary dimensions					Basic load rating(kN)		Limiting speeds		Mass
	mm					Dynamic	Static	rpm		Kg
	d	D	B	$r_{s \min}$	$r_{s1 \min}$	Cr	Cor	Grease	Oil	
NU2204E	20	47	18	1	0.6	30.5	28.3	14,000	16,000	0.158
NU2205E	25	52	18	1	0.6	35	34.5	11,000	13,000	0.186
NU2206E	30	62	20	1	0.6	49	50	9,700	11,000	0.297
NU2207E	35	72	23	1.1	0.6	61.5	65.5	8,500	10,000	0.455
NU2208	40	80	23	1.1	1.1	58	62	8,500	10,000	0.49
NU2208E	40	80	23	1.1	1.1	72.5	77.5	7,600	8,900	0.552
NU2209	45	85	23	1.1	1.1	61.5	68	7,600	9,000	0.53
NU2209E	45	85	23	1.1	1.1	76	84.5	6,800	8,000	0.6
NU2210	50	90	23	1.1	1.1	64	73.5	6,900	8,100	0.571
NU2210E	50	90	23	1.1	1.1	79.5	91.5	6,200	7,300	0.652
NU2211	55	100	25	1.5	1.1	75.5	87	6,300	7,400	0.773
NU2211E	55	100	25	1.5	1.1	97	114	5,600	6,600	0.968
NU2212	60	110	28	1.5	1.5	96	116	5,800	6,800	1.06
NU2212E	60	110	28	1.5	1.5	131	157	5,200	6,100	1.21
NU2213	65	120	31	1.5	1.5	120	149	5,400	6,300	1.4
NU2213E	65	120	31	1.5	1.5	149	181	4,800	5,600	1.6
NU2214	70	125	31	1.5	1.5	119	151	5,000	5,900	1.47
NU2214E	70	125	31	1.5	1.5	156	194	4,500	5,200	1.7

CYLINDRICAL ROLLER BEARING

NU2215	75	130	31	1.5	1.5	130	162	4,700	5,500	1.55
NU2215E	75	130	31	1.5	1.5	162	207	4,200	4,900	1.79
NU2216	80	140	33	2	2	147	186	4,400	5,100	1.93
NU2216E	80	140	33	2	2	186	243	3,900	4,600	2.12
NU2217	85	150	36	2	2	170	218	4,100	4,800	2.44
NU2217E	85	150	36	2	2	217	279	3,700	4,300	2.68
NU2218	90	160	40	2	2	197	248	3,900	4,600	3.1
NU2218E	90	160	40	2	2	242	315	3,500	4,100	3.33
NU2219	95	170	43	2.1	2.1	230	298	3,600	4,300	3.79
NU2219E	95	170	43	2.1	2.1	286	370	3,300	3,800	4.14
NU2220	100	180	46	2.1	2.1	258	340	3,500	4,100	4.57
NU2220E	100	180	46	2.1	2.1	335	445	3,100	3,600	5.01
NU2222	110	200	53	2.1	2.1	320	415	3,100	3,700	6.56
NU2222E	110	200	53	2.1	2.1	385	515	2,800	3,300	7.4
NU2224	120	215	58	2.1	2.1	350	460	2,900	3,400	8.19
NU2224E	120	215	58	2.1	2.1	450	620	2,600	3,000	9.18
NU2226	130	230	64	3	3	380	530	2,600	3,100	10.2
NU2226E	130	230	64	3	3	530	735	2,300	2,700	11.8
NU2228	140	250	68	3	3	445	635	2,400	2,800	12.9
NU2228E	140	250	68	3	3	575	835	2,100	2,500	15.8
NU2230	150	270	73	3	3	500	710	2,200	2,600	16.3
NU2230E	150	270	73	3	3	660	980	2,000	2,400	19.7



CYLINDRICAL ROLLER BEARING



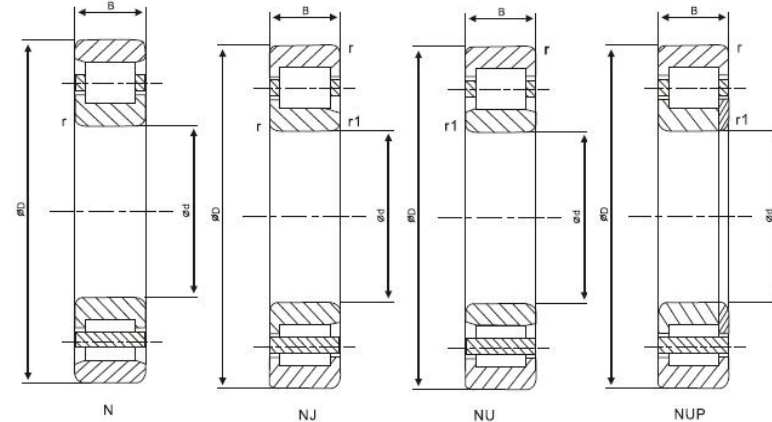
Bearing No.	Boundary dimensions					Basic load rating(kN)		Limiting speeds		Mass
	mm					Dynamic	Static	rpm		Kg
	d	D	B	r _{s min}	r _{s1 min}	Cr	Cor	Grease	Oil	
NU2304E	20	52	21	1.1	0.6	42	39	12,000	14,000	0.242
NU2305E	25	62	24	1.1	1.1	57	56	9,700	11,000	0.386
NU2306E	30	72	27	1.1	1.1	74.5	77.5	8,300	9,700	0.58
NU2307E	35	80	31	1.5	1.1	99	109	7,200	8,500	0.78
NU2308	40	90	33	1.5	1.5	82.5	88	7,000	8,200	0.951
NU2308E	40	90	33	1.5	1.5	114	122	6,400	7,500	1.06
NU2309	45	100	36	1.5	1.5	99	104	6,300	7,400	1.27
NU2309E	45	100	36	1.5	1.5	137	153	5,700	6,800	1.41
NU2310	50	110	40	2	2	121	131	5,700	6,700	1.7
NU2310E	50	110	40	2	2	163	187	5,200	6,100	1.9
NU2311	55	120	43	2	2	148	162	5,200	6,100	2.17
NU2311E	55	120	43	2	2	201	233	4,700	5,600	2.37
NU2312	60	130	46	2.1	2.1	169	188	4,800	5,700	2.71
NU2312E	60	130	46	2.1	2.1	222	262	4,400	5,200	2.96
NU2313	65	140	48	2.1	2.1	188	212	4,400	5,200	3.27
NU2313E	65	140	48	2.1	2.1	248	287	4,100	4,800	3.48

CYLINDRICAL ROLLER BEARING

NU2314	70	150	51	2.1	2.1	223	262	4,100	4,800	3.98
NU2314E	70	150	51	2.1	2.1	274	325	3,800	4,400	4.25
NU2315	75	160	55	2.1	2.1	258	300	3,800	4,500	4.87
NU2315E	75	160	55	2.1	2.1	330	395	3,500	4,100	5.25
NU2316	80	170	58	2.1	2.1	274	330	3,600	4,200	5.79
NU2316E	80	170	58	2.1	2.1	355	430	3,300	3,900	6.25
NU2317	85	180	60	3	3	315	380	3,400	4,000	6.7
NU2317E	85	180	60	3	3	395	485	3,100	3,700	7.16
NU2318	90	190	64	3	3	325	395	3,200	3,800	7.95
NU2318E	90	190	64	3	3	435	535	2,900	3,400	8.56
NU2319	95	200	67	3	3	370	460	3,000	3,500	9.2
NU2319E	95	200	67	3	3	460	585	2,700	3,200	9.8
NU2320	100	215	73	3	3	410	505	2,900	3,400	11.7
NU2320E	100	215	73	3	3	570	715	2,600	3,100	12.8
NU2322	110	240	80	3	3	605	790	2,600	3,100	17.1
NU2322E	110	240	80	3	3	675	880	2,400	2,800	19.4
NU2324	120	260	86	3	3	710	920	2,400	2,800	21.5
NU2324E	120	260	86	3	3	795	1,030	2,200	2,500	26.1
NU2326	130	280	93	4	4	840	1,130	2,200	2,600	26.9
NU2326E	130	280	93	4	4	920	1,230	2,000	2,300	30.9
NU2328	140	300	102	4	4	920	1,250	2,000	2,300	33.8
NU2328E	140	300	102	4	4	1,020	1,380	1,800	2,100	38.7
NU2330	150	320	108	4	4	1,020	1,400	1,900	2,200	40.6
NU2330E	150	320	108	4	4	1,160	1,600	1,700	2,000	47.2



CYLINDRICAL ROLLER BEARING



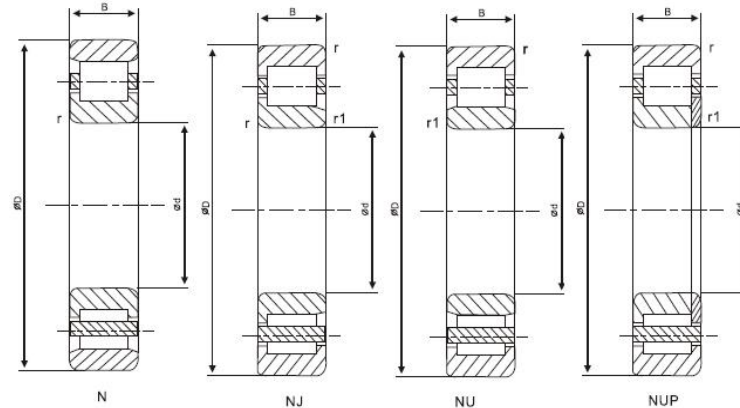
Bearing No.	Boundary dimensions					Basic load rating(kN)		Limiting speeds		Mass Kg
	mm					Dynamic	Static	rpm		
	d	D	B	$r_{s \text{ min}}$	$r_{s1 \text{ min}}$	Cr	Cor	Grease	Oil	
NUP204E	20	47	14	1	0.6	25.7	22.6	15,000	18,000	0.122
NUP205E	25	52	15	1	0.6	29.3	27.7	13,000	15,000	0.151
NUP206E	30	62	16	1	0.6	39	37.5	11,000	13,000	0.226
NUP207E	35	72	17	1.1	0.6	50.5	50	9,500	11,000	0.327
NUP208	40	80	18	1.1	1.1	43.5	43	9,400	11,000	0.378
NUP208E	40	80	18	1.1	1.1	55.5	55.5	8,500	10,000	0.426
NUP209	45	85	19	1.1	1.1	46	47	8,400	9,900	0.432
NUP209E	45	85	19	1.1	1.1	63	66.5	7,600	9,000	0.495
NUP210	50	90	20	1.1	1.1	48	51	7,600	9,000	0.47
NUP210E	50	90	20	1.1	1.1	66	72	6,900	8,100	0.54
NUP211	55	100	21	1.5	1.1	58	62.5	6,900	8,200	0.638
NUP211E	55	100	21	1.5	1.1	82.5	93	6,300	7,400	0.718
NUP212	60	110	22	1.5	1.5	68.5	75	6,400	7,600	0.818
NUP212E	60	110	22	1.5	1.5	97.5	107	5,800	6,800	0.923
NUP213	65	120	23	1.5	1.5	84	94.5	5,900	7,000	1.02
NUP213E	65	120	23	1.5	1.5	108	119	5,400	6,300	1.21
NUP214	70	125	24	1.5	1.5	83.5	95	5,500	6,500	1.12
NUP214E	70	125	24	1.5	1.5	119	137	5,000	5,900	1.3
NUP215	75	130	25	1.5	1.5	96.5	111	5,100	6,000	1.23
NUP215E	75	130	25	1.5	1.5	130	156	4,700	5,500	1.41

CYLINDRICAL ROLLER BEARING

NUP216	80	140	26	2	2	106	122	4,800	5,700	1.5
NUP216E	80	140	26	2	2	139	167	4,400	5,100	1.67
NUP217	85	150	28	2	2	120	140	4,500	5,300	1.87
NUP217E	85	150	28	2	2	167	199	4,100	4,800	2.11
NUP218	90	160	30	2	2	152	178	4,300	5,000	2.3
NUP218E	90	160	30	2	2	182	217	3,900	4,600	2.44
NUP219	95	170	32	2.1	2.1	166	195	4,000	4,700	2.78
NUP219E	95	170	32	2.1	2.1	220	265	3,600	4,300	3.02
NUP220	100	180	34	2.1	2.1	183	217	3,800	4,500	3.33
NUP220E	100	180	34	2.1	2.1	249	305	3,500	4,100	3.66
NUP221	105	190	36	2.1	2.1	201	241	3,600	4,300	3.95
NUP222	110	200	38	2.1	2.1	240	290	3,400	4,000	4.63
NUP222E	110	200	38	2.1	2.1	293	365	3,100	3,700	4.27
NUP224	120	215	40	2.1	2.1	260	320	3,200	3,700	5.57
NUP224E	120	215	40	2.1	2.1	335	420	2,900	3,400	5.97
NUP226	130	230	40	3	3	270	340	2,900	3,400	6.3
NUP226E	130	230	40	3	3	365	455	2,600	3,100	6.9
NUP228	140	250	42	3	3	310	400	2,700	3,100	7.88
NUP228E	140	250	42	3	3	395	515	2,400	2,800	8.73
NUP230	150	270	45	3	3	345	435	2,500	2,900	9.92
NUP230E	150	270	45	3	3	450	595	2,200	2,600	11

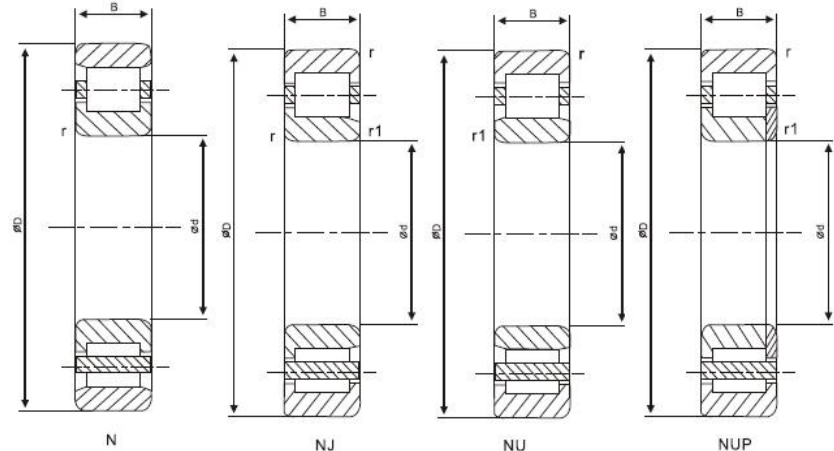


CYLINDRICAL ROLLER BEARING



B	N	B				B (N)		L		M
		D	B	r_1	r	C	C	G	O	K
N P304E	20	52	15	1.1	0.6	31.5	26.9	13,000	15,000	0.176
N P305E	25	62	17	1.1	1.1	41.5	37.5	11,000	13,000	0.275
N P306E	30	72	19	1.1	1.1	53	50	9,300	11,000	0.398
N P307E	35	80	21	1.5	1.1	71	71	8,100	9,600	0.545
N P308	40	90	23	1.5	1.5	58.5	57	8,000	9,400	0.658
N P308E	40	90	23	1.5	1.5	83	81.5	7,200	8,500	0.754
N P309	45	100	25	1.5	1.5	74	71	7,200	8,400	0.877
N P309E	45	100	25	1.5	1.5	97.5	98.5	6,500	7,600	0.996
N P310	50	110	27	2	2	87	86	6,500	7,700	1.14
N P310E	50	110	27	2	2	110	113	5,900	6,900	1.3
N P311	55	120	29	2	2	111	111	5,900	7,000	1.45
N P311E	55	120	29	2	2	137	143	5,300	6,300	1.65
N P312	60	130	31	2.1	2.1	124	126	5,500	6,500	1.8
N P312E	60	130	31	2.1	2.1	150	157	4,900	5,800	2.05
N P313	65	140	33	2.1	2.1	135	139	5,100	6,000	2.23
N P313E	65	140	33	2.1	2.1	181	191	4,600	5,400	2.54
N P314	70	150	35	2.1	2.1	158	168	4,700	5,500	2.71
N P314E	70	150	35	2.1	2.1	205	222	4,200	5,000	3.1
N P315	75	160	37	2.1	2.1	190	205	4,400	5,200	3.28
N P315E	75	160	37	2.1	2.1	240	263	4,000	4,700	3.74
N P316	80	170	39	2.1	2.1	190	207	4,100	4,800	3.86

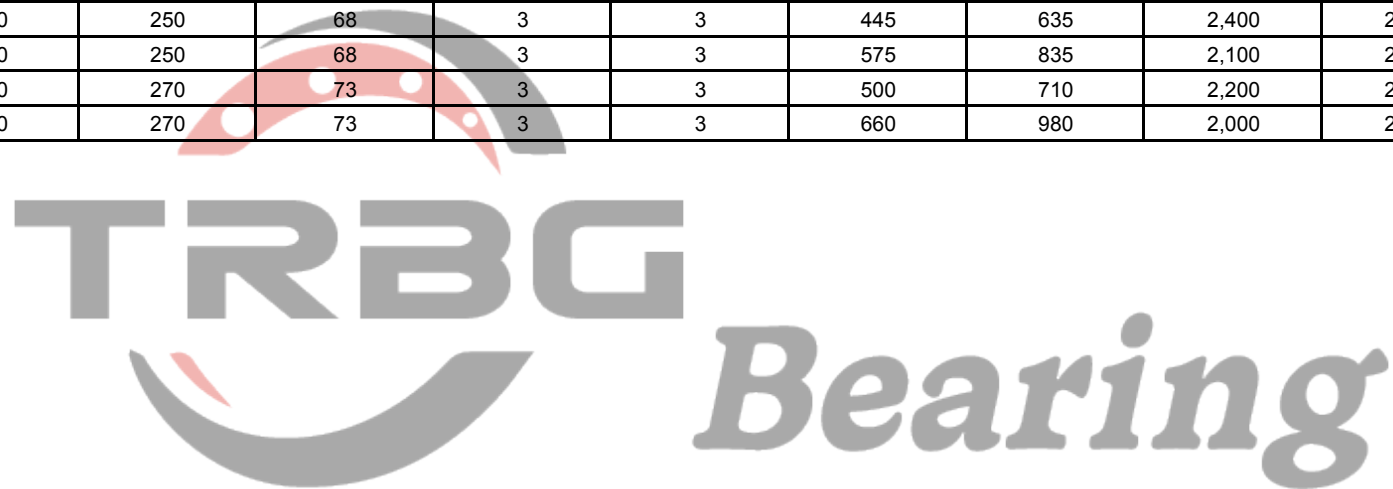
CYLINDRICAL ROLLER BEARING



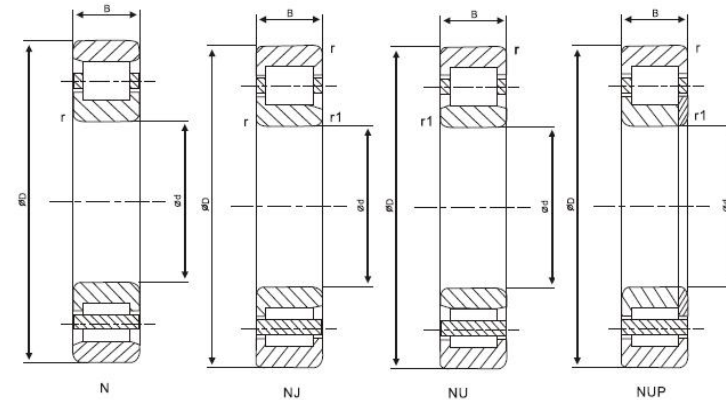
Bearing No.	Boundary dimensions					Basic load rating(kN)		Limiting speeds		Mass
	mm					Dynamic	Static	rpm		Kg
	d	D	B	$r_{s \text{ min}}$	$r_{s1 \text{ min}}$	Cr	Cor	Grease	Oil	
NUP2204E	20	47	18	1	0.6	30.5	28.3	14,000	16,000	0.158
NUP2205E	25	52	18	1	0.6	35	34.5	11,000	13,000	0.186
NUP2206E	30	62	20	1	0.6	49	50	9,700	11,000	0.297
NUP2207E	35	72	23	1.1	0.6	61.5	65.5	8,500	10,000	0.455
NUP2208	40	80	23	1.1	1.1	58	62	8,500	10,000	0.49
NUP2208E	40	80	23	1.1	1.1	72.5	77.5	7,600	8,900	0.552
NUP2209	45	85	23	1.1	1.1	61.5	68	7,600	9,000	0.53
NUP2209E	45	85	23	1.1	1.1	76	84.5	6,800	8,000	0.6
NUP2210	50	90	23	1.1	1.1	64	73.5	6,900	8,100	0.571
NUP2210E	50	90	23	1.1	1.1	79.5	91.5	6,200	7,300	0.652
NUP2211	55	100	25	1.5	1.1	75.5	87	6,300	7,400	0.773
NUP2211E	55	100	25	1.5	1.1	97	114	5,600	6,600	0.968
NUP2212	60	110	28	1.5	1.5	96	116	5,800	6,800	1.06
NUP2212E	60	110	28	1.5	1.5	131	157	5,200	6,100	1.21
NUP2213	65	120	31	1.5	1.5	120	149	5,400	6,300	1.4
NUP2213E	65	120	31	1.5	1.5	149	181	4,800	5,600	1.6
NUP2214	70	125	31	1.5	1.5	119	151	5,000	5,900	1.47

CYLINDRICAL ROLLER BEARING

NUP2214E	70	125	31	1.5	1.5	156	194	4,500	5,200	1.7
NUP2215	75	130	31	1.5	1.5	130	162	4,700	5,500	1.55
NUP2215E	75	130	31	1.5	1.5	162	207	4,200	4,900	1.79
NUP2216	80	140	33	2	2	147	186	4,400	5,100	1.93
NUP2216E	80	140	33	2	2	186	243	3,900	4,600	2.12
NUP2217	85	150	36	2	2	170	218	4,100	4,800	2.44
NUP2217E	85	150	36	2	2	217	279	3,700	4,300	2.68
NUP2218	90	160	40	2	2	197	248	3,900	4,600	3.1
NUP2218E	90	160	40	2	2	242	315	3,500	4,100	3.33
NUP2219	95	170	43	2.1	2.1	230	298	3,600	4,300	3.79
NUP2219E	95	170	43	2.1	2.1	286	370	3,300	3,800	4.14
NUP2220	100	180	46	2.1	2.1	258	340	3,500	4,100	4.57
NUP2220E	100	180	46	2.1	2.1	335	445	3,100	3,600	5.01
NUP2222	110	200	53	2.1	2.1	320	415	3,100	3,700	6.56
NUP2222E	110	200	53	2.1	2.1	385	515	2,800	3,300	7.4
NUP2224	120	215	58	2.1	2.1	350	460	2,900	3,400	8.19
NUP2224E	120	215	58	2.1	2.1	450	620	2,600	3,000	9.18
NUP2226	130	230	64	3	3	380	530	2,600	3,100	10.2
NUP2226E	130	230	64	3	3	530	735	2,300	2,700	11.8
NUP2228	140	250	68	3	3	445	635	2,400	2,800	12.9
NUP2228E	140	250	68	3	3	575	835	2,100	2,500	15.8
NUP2230	150	270	73	3	3	500	710	2,200	2,600	16.3
NUP2230E	150	270	73	3	3	660	980	2,000	2,400	19.7

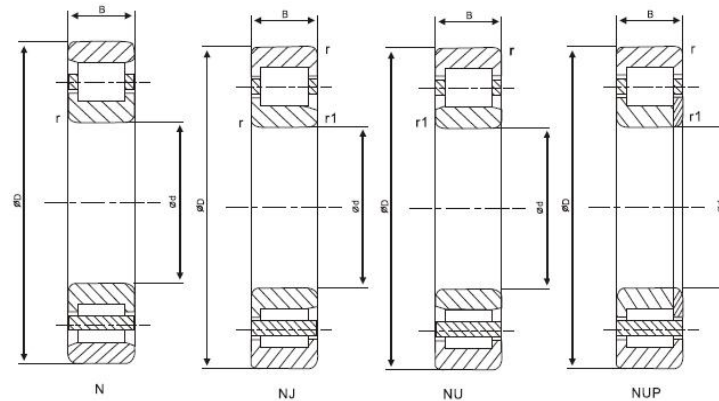


CYLINDRICAL ROLLER BEARING

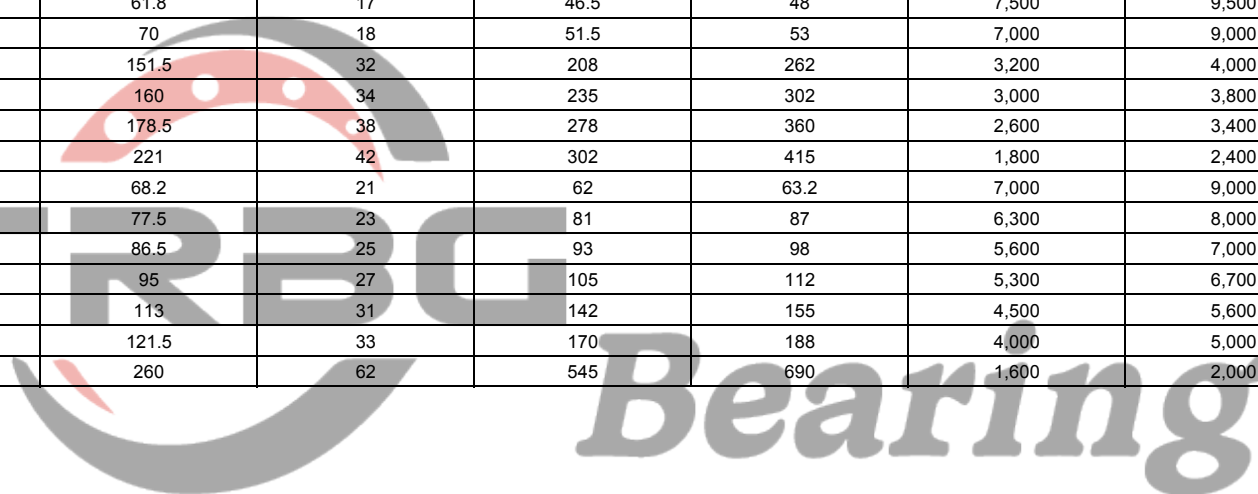


Bearing No.	Boundary dimensions					Basic load rating(kN)		Limiting speeds		Mass
	mm					Dynamic	Static	rpm		Kg
	d	D	B	$r_{s \min}$	$r_{s1 \min}$	Cr	Cor	Grease	Oil	
NUP2304E	20	52	21	1.1	0.6	42	39	12,000	14,000	0.242
NUP2305E	25	62	24	1.1	1.1	57	56	9,700	11,000	0.386
NUP2306E	30	72	27	1.1	1.1	74.5	77.5	8,300	9,700	0.58
NUP2307E	35	80	31	1.5	1.1	99	109	7,200	8,500	0.78
NUP2308	40	90	33	1.5	1.5	82.5	88	7,000	8,200	0.951
NUP2308E	40	90	33	1.5	1.5	114	122	6,400	7,500	1.06
NUP2309	45	100	36	1.5	1.5	99	104	6,300	7,400	1.27
NUP2309E	45	100	36	1.5	1.5	137	153	5,700	6,800	1.41
NUP2310	50	110	40	2	2	121	131	5,700	6,700	1.7
NUP2310E	50	110	40	2	2	163	187	5,200	6,100	1.9
NUP2311	55	120	43	2	2	148	162	5,200	6,100	2.17
NUP2311E	55	120	43	2	2	201	233	4,700	5,600	2.37
NUP2312	60	130	46	2.1	2.1	169	188	4,800	5,700	2.71
NUP2312E	60	130	46	2.1	2.1	222	262	4,400	5,200	2.96
NUP2313	65	140	48	2.1	2.1	188	212	4,400	5,200	3.27
NUP2313E	65	140	48	2.1	2.1	248	287	4,100	4,800	3.48
NUP2314	70	150	51	2.1	2.1	223	262	4,100	4,800	3.98
NUP2314E	70	150	51	2.1	2.1	274	325	3,800	4,400	4.25
NUP2315	75	160	55	2.1	2.1	258	300	3,800	4,500	4.87
NUP2315E	75	160	55	2.1	2.1	330	395	3,500	4,100	5.25
NUP2316	80	170	58	2.1	2.1	274	330	3,600	4,200	5.79
NUP2316E	80	170	58	2.1	2.1	355	430	3,300	3,900	6.25

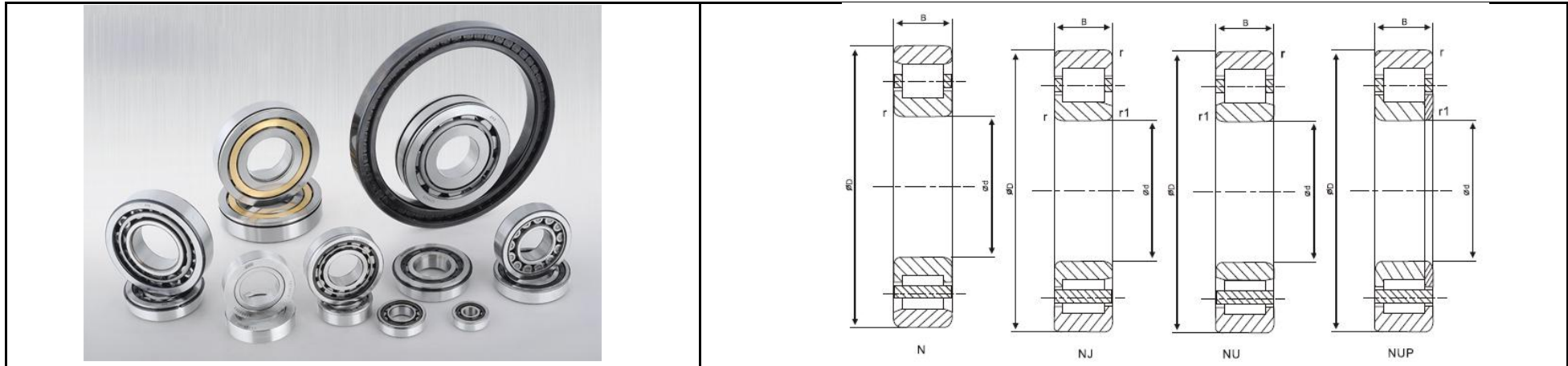
CYLINDRICAL ROLLER BEARING



Bearing No.	Boundary dimensions			Basic load rating(kN)		Limiting speeds		Mass
	mm			Dynamic	Static	rpm		Kg
	Fw	D	B	Cr	Cor	Grease	Oil	
RN203EM	17	40	12	19.3	17	10,000	11,000	0.08
RN204EM	17	40	14	25.8	24	12,000	16,000	0.08
RN205EM	25	45	15	27.5	26.8	11,000	14,000	0.09
RN206EM	30	53.5	16	36	35.5	8,500	11,000	0.11
RN207EM	35	61.8	17	46.5	48	7,500	9,500	0.2
RN208EM	40	70	18	51.5	53	7,000	9,000	0.27
RN219EM	95	151.5	32	208	262	3,200	4,000	2.18
RN220EM	100	160	34	235	302	3,000	3,800	2.65
RN222EM	110	178.5	38	278	360	2,600	3,400	3.3
RN228EM	140	221	42	302	415	1,800	2,400	5.95
RN307EM	35	68.2	21	62	63.2	7,000	9,000	0.32
RN308EM	40	77.5	23	81	87	6,300	8,000	0.41
RN309EM	45	86.5	25	93	98	5,600	7,000	0.61
RN310EM	50	95	27	105	112	5,300	6,700	0.79
RN312EM	60	113	31	142	155	4,500	5,600	1.11
RN313EM	65	121.5	33	170	188	4,000	5,000	1.57
RN328EM	140	260	62	545	690	1,600	2,000	13.2



CYLINDRICAL ROLLER BEARING



Bearing No.	Boundary dimensions			Basic load rating(kN)		Limiting speeds		Mass
	mm			Dynamic	Static	rpm		Kg
	Fw	D	B	Cr	Cor	Grease	Oil	
RNU208E	50	80	18	51.5	53	7,000	9,000	0.25
RNU209E	55	85	19	58.5	63.8	6,300	8,000	0.41
RNU210E	60.4	90	20	61.2	68.2	6,000	7,500	0.43
RNU212E	73	110	22	89.8	102	5,000	6,300	0.78
RNU214E	84.5	125	24	112	135	4,300	5,300	0.89
RNU218E	107	160	30	172	215	3,400	4,300	2.07
RNU305E	35	62	17	38.5	35.8	9,000	12,000	0.2
RNU306E	42	72	19	49.2	48.2	8,000	10,000	0.32
RNU307E	46.2	80	21	62	63.2	7,000	9,000	0.4
RNU308E	53.5	90	23	76.8	77.8	6,300	8,000	0.48
RNU309E	58.5	100	25	93	98	5,600	7,000	0.79
RNU310E	65	110	27	105	112	5,300	6,700	1.01
RNU311E	70.5	120	29	128	138	4,800	6,000	1.5

