

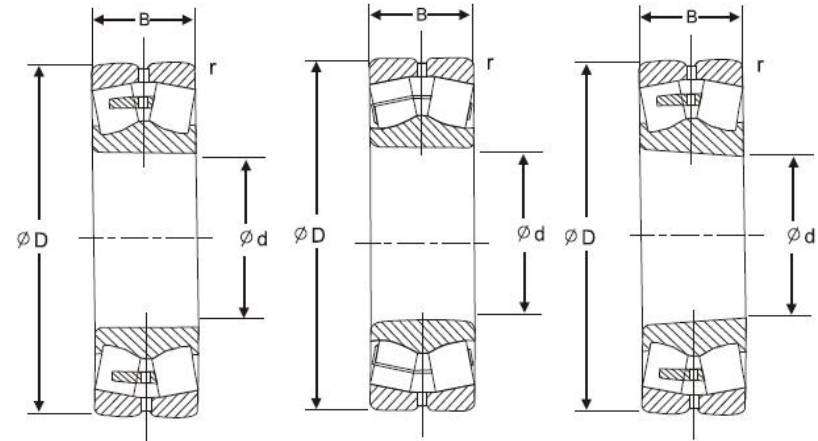


SPHERICAL ROLLER BEARING



SPHERICAL ROLLER BEARING

SPHEROCAL ROLLER BEARING



Bearing No.	Boundary dimensions				Basic load ratings(kN)		Limiting speeds		Mass Kg
	mm				Dynamic	Static	rpm		
	d	D	B	r _{min}	C _r	C _{or}	Grease	Oil	
21308	40	90	23	1.5	88	90	3,200	4,900	0.705
21308K	40	90	23	1.5	88	90	3,200	4,900	0.694
21308KW33C3	40	90	23	1.5	88	90	3,200	4,900	0.694
21308W33C3	40	90	23	1.5	88	90	3,200	4,900	0.705
21309	45	100	25	1.5	102	106	2,900	4,400	0.927
21309K	45	100	25	1.5	102	106	2,900	4,400	0.912
21309KW33C3	45	100	25	1.5	102	106	2,900	4,400	0.912
21309W33C3	45	100	25	1.5	102	106	2,900	4,400	0.927
21310	50	110	27	2	118	127	2,600	4,000	1.21
21310K	50	110	27	2	118	127	2,600	4,000	1.19
21310KW33C3	50	110	27	2	118	127	2,600	4,000	1.19
21310W33C3	50	110	27	2	118	127	2,600	4,000	1.21
21311	55	120	29	2	145	163	2,400	3,700	1.71

SPHEROCAL ROLLER BEARING

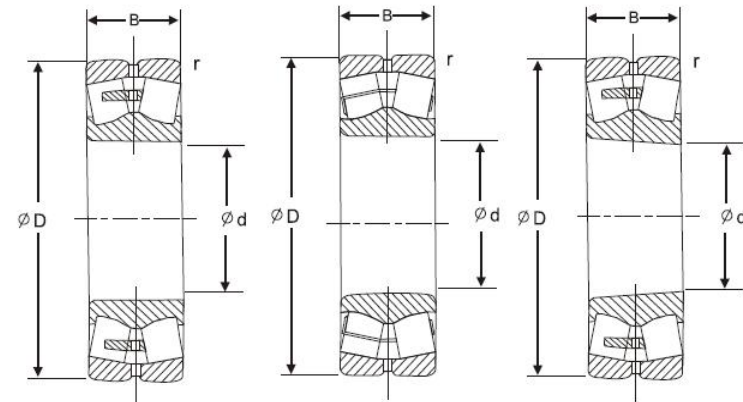
21311K	55	120	29	2	145	163	2,400	3,700	1.69
21311KW33C3	55	120	29	2	145	163	2,400	3,700	1.69
21311W33C3	55	120	29	2	145	163	2,400	3,700	1.71
21312	60	130	31	2.1	167	191	2,200	3,400	2.1
21312K	60	130	31	2.1	167	191	2,200	3,400	2.07
21312KW33C3	60	130	31	2.1	167	191	2,200	3,400	2.07
21312W33C3	60	130	31	2.1	167	191	2,200	3,400	2.1
21313	65	140	33	2.1	194	228	2,000	3,100	2.55
21313K	65	140	33	2.1	194	228	2,000	3,100	2.51
21313KW33C3	65	140	33	2.1	194	228	2,000	3,100	2.51
21313W33C3	65	140	33	2.1	194	228	2,000	3,100	2.55
21314	70	150	35	2.1	220	262	1,900	2,900	3.18
21314K	70	150	35	2.1	220	262	1,900	2,900	3.14
21314KW33C3	70	150	35	2.1	220	262	1,900	2,900	3.14
21314W33C3	70	150	35	2.1	220	262	1,900	2,900	3.18
21315	75	160	37	2.1	239	287	1,800	2,700	3.81
21315K	75	160	37	2.1	239	287	1,800	2,700	3.76
21315KW33C3	75	160	37	2.1	239	287	1,800	2,700	3.76
21315W33C3	75	160	37	2.1	239	287	1,800	2,700	3.81
21316	80	170	39	2.1	260	315	1,700	2,500	4.53
21316K	80	170	39	2.1	260	315	1,700	2,500	4.47
21316KW33C3	80	170	39	2.1	260	315	1,700	2,500	4.47
21316W33C3	80	170	39	2.1	260	315	1,700	2,500	4.53
21317	85	180	41	3	289	355	1,600	2,400	5.35
21317K	85	180	41	3	289	355	1,600	2,400	5.28
21317KW33C3	85	180	41	3	289	355	1,600	2,400	5.28
21317W33C3	85	180	41	3	289	355	1,600	2,400	5.35
21318	90	190	43	3	320	400	1,500	2,300	6.3
21318K	90	190	43	3	320	400	1,500	2,300	6.21
21318KW33C3	90	190	43	3	320	400	1,500	2,300	6.21
21318W33C3	90	190	43	3	320	400	1,500	2,300	6.3
21319	95	200	45	3	335	420	1,400	2,100	7.1
21319K	95	200	45	3	335	420	1,400	2,100	7
21319KW33C3	95	200	45	3	335	420	1,400	2,100	7
21319W33C3	95	200	45	3	335	420	1,400	2,100	7.1

SPHEROCAL ROLLER BEARING

21320	100	215	47	3	370	465	1,300	2,000	8.89
21320K	100	215	47	3	370	465	1,300	2,000	8.78
21320KW33C3	100	215	47	3	370	465	1,300	2,000	8.78
21320W33C3	100	215	47	3	370	465	1,300	2,000	8.89
21322	110	240	50	3	495	615	1,200	1,800	11.2
21322K	110	240	50	3	495	615	1,200	1,800	11.1
21322KW33C3	110	240	50	3	495	615	1,200	1,800	11.1
21322W33C3	110	240	50	3	495	615	1,200	1,800	11.2



SPHEROCAL ROLLER BEARING



Bearing No.	Boundary dimensions				Basic load ratings(kN)		Limiting speeds		Mass Kg
	mm				Dynamic	Static	rpm		
	d	D	B	$r_{s \text{ min}}$	Cr	Cor	Grease	Oil	
22205	25	52	18	1	36.5	36	6,500	10,000	0.186
22205K	25	52	18	1	36.5	36	6,500	10,000	0.182
22205KW33C3	25	52	18	1	36.5	36	6,500	10,000	0.182
22205W33C3	25	52	18	1	36.5	36	6,500	10,000	0.186
22206	30	62	20	1	49	49	5,700	8,800	0.287
22206K	30	62	20	1	49	49	5,700	8,800	0.282
22206KW33C3	30	62	20	1	49	49	5,700	8,800	0.282
22206W33C3	30	62	20	1	49	49	5,700	8,800	0.287
22207	35	72	23	1.1	69.5	71	4,900	7,500	0.446
22207K	35	72	23	1.1	69.5	71	4,900	7,500	0.437
22207KW33C3	35	72	23	1.1	69.5	71	4,900	7,500	0.437
22207W33C3	35	72	23	1.1	69.5	71	4,900	7,500	0.446
22208	40	80	23	1.1	79	88.5	4,300	6,600	0.526
22208K	40	80	23	1.1	79	88.5	4,300	6,600	0.515
22208KW33C3	40	80	23	1.1	79	88.5	4,300	6,600	0.515
22208W33C3	40	80	23	1.1	79	88.5	4,300	6,600	0.526

SPHERICAL ROLLER BEARING

22209	45	85	23	1.1	82.5	95	3,800	5,900	0.584
22209K	45	85	23	1.1	82.5	95	3,800	5,900	0.572
22209KW33C3	45	85	23	1.1	82.5	95	3,800	5,900	0.572
22209W33C3	45	85	23	1.1	82.5	95	3,800	5,900	0.584
22210	50	90	23	1.1	86	102	3,500	5,300	0.63
22210K	50	90	23	1.1	86	102	3,500	5,300	0.616
22210KW33C3	50	90	23	1.1	86	102	3,500	5,300	0.616
22210W33C3	50	90	23	1.1	86	102	3,500	5,300	0.63
22211	55	100	25	1.5	118	144	3,200	4,900	0.808
22211K	55	100	25	1.5	118	144	3,200	4,900	0.79
22211KW33C3	55	100	25	1.5	93.5	110	3,200	4,200	0.832
22211W33C3	55	100	25	1.5	118	144	3,200	4,900	0.808
22212	60	110	28	1.5	115	147	2,900	4,500	1.15
22212K	60	110	28	1.5	115	147	2,900	4,500	1.13
22212KW33C3	60	110	28	1.5	115	147	2,900	4,500	1.13
22212W33C3	60	110	28	1.5	115	147	2,900	4,500	1.15
22213	65	120	31	1.5	143	179	2,700	4,200	1.5
22213K	65	120	31	1.5	143	179	2,700	4,200	1.47
22213KW33C3	65	120	31	1.5	143	179	2,700	4,200	1.47
22213W33C3	65	120	31	1.5	143	179	2,700	4,200	1.5
22214	70	125	31	1.5	154	201	2,500	3,900	1.55
22214K	70	125	31	1.5	154	201	2,500	3,900	1.52
22214KW33C3	70	125	31	1.5	154	201	2,500	3,900	1.52
22214W33C3	70	125	31	1.5	154	201	2,500	3,900	1.55
22215	75	130	31	1.5	166	223	2,300	3,600	1.65
22215K	75	130	31	1.5	166	223	2,300	3,600	1.61
22215KW33C3	75	130	31	1.5	166	223	2,300	3,600	1.61
22215W33C3	75	130	31	1.5	166	223	2,300	3,600	1.65
22216	80	140	33	2	213	277	2,200	3,400	1.99
22216K	80	140	33	2	213	277	2,200	3,400	1.94
22216KW33C3	80	140	33	2	213	277	2,200	3,400	1.94
22216W33C3	80	140	33	2	213	277	2,200	3,400	1.99
22217	85	150	36	2	251	320	2,100	3,200	2.49
22217K	85	150	36	2	251	320	2,100	3,200	2.43
22217KW33C3	85	150	36	2	251	320	2,100	3,200	2.43
22217W33C3	85	150	36	2	251	320	2,100	3,200	2.49
22218	90	160	40	2	292	385	1,900	3,000	3.24
22218K	90	160	40	2	292	385	1,900	3,000	3.16

SPHEROCAL ROLLER BEARING

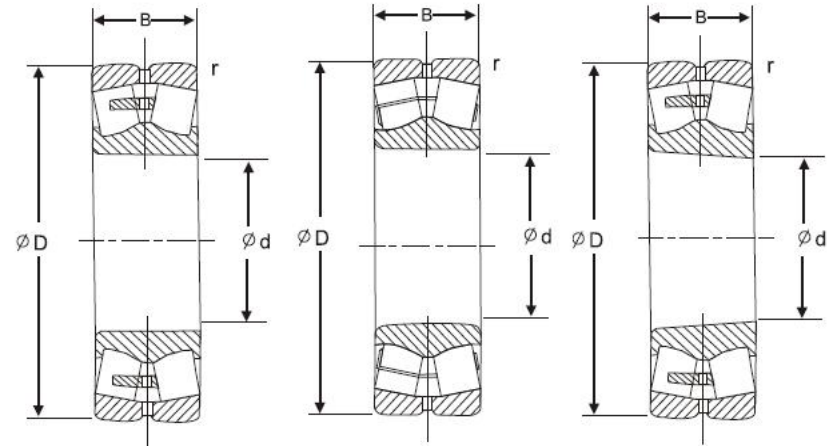
22218KW33C3	90	160	40	2	292	385	1,900	3,000	3.16
22218W33C3	90	160	40	2	292	385	1,900	3,000	3.24
22219	95	170	43	2.1	294	390	1,800	2,800	4.1
22219K	95	170	43	2.1	294	390	1,800	2,800	4.01
22219KW33C3	95	170	43	2.1	294	390	1,800	2,800	4.01
22219W33C3	95	170	43	2.1	294	390	1,800	2,800	4.1
22220	100	180	46	2.1	315	415	1,700	2,700	4.95
22220K	100	180	46	2.1	315	415	1,700	2,700	4.84
22220KW33C3	100	180	46	2.1	315	415	1,700	2,700	4.84
22220W33C3	100	180	46	2.1	315	415	1,700	2,700	4.95
22222	110	200	53	2.1	410	570	1,600	2,400	7.2
22222K	110	200	53	2.1	410	570	1,600	2,400	7.04
22222KW33C3	110	200	53	2.1	410	570	1,600	2,400	7.04
22222W33C3	110	200	53	2.1	410	570	1,600	2,400	7.2
22224	120	215	58	2.1	485	700	1,400	2,200	9.1
22224K	120	215	58	2.1	485	700	1,400	2,200	8.89
22224KW33C3	120	215	58	2.1	485	700	1,400	2,200	8.89
22224W33C3	120	215	58	2.1	485	700	1,400	2,200	9.1
22226	130	230	64	3	570	790	1,300	2,000	11.2
22226K	130	230	64	3	570	790	1,300	2,000	10.9
22226KW33C3	130	230	64	3	570	790	1,300	2,000	10.9
22226W33C3	130	230	64	3	570	790	1,300	2,000	11.2
22228	140	250	68	3	685	975	1,200	1,900	14
22228K	140	250	68	3	685	975	1,200	1,900	13.7
22228KW33C3	140	250	68	3	685	975	1,200	1,900	13.7
22228W33C3	140	250	68	3	685	975	1,200	1,900	14
22230	150	270	73	3	775	1,160	1,100	1,700	18.1
22230K	150	270	73	3	775	1,160	1,100	1,700	17.7
22230KW33C3	150	270	73	3	775	1,160	1,100	1,700	17.7
22230W33C3	150	270	73	3	775	1,160	1,100	1,700	18.1
22232	160	290	80	3	870	1,290	1,000	1,600	22.7
22232K	160	290	80	3	870	1,290	1,000	1,600	22.2
22232KW33C3	160	290	80	3	870	1,290	1,000	1,600	22.2
22232W33C3	160	290	80	3	870	1,290	1,000	1,600	22.7
22234	170	310	86	4	1,000	1,520	980	1,500	28
22234K	170	310	86	4	1,000	1,520	980	1,500	27.3
22234KW33C3	170	310	86	4	1,000	1,520	980	1,500	27.3
22234W33C3	170	310	86	4	1,000	1,520	980	1,500	28

SPHEROCAL ROLLER BEARING

22236	180	320	86	4	1,040	1,610	920	1,400	29.3
22236K	180	320	86	4	1,040	1,610	920	1,400	28.6
22236KW33C3	180	320	86	4	1,040	1,610	920	1,400	28.6
22236W33C3	180	320	86	4	1,040	1,610	920	1,400	29.3
22238	190	340	92	4	1,160	1,810	860	1,300	36.6
22238K	190	340	92	4	1,160	1,810	860	1,300	35.8
22238KW33C3	190	340	92	4	1,160	1,810	860	1,300	35.8
22238W33C3	190	340	92	4	1,160	1,810	860	1,300	36.6
22240	200	360	98	4	1,310	2,010	820	1,300	44
22240K	200	360	98	4	1,310	2,010	820	1,300	43
22240KW33C3	200	360	98	4	1,310	2,010	820	1,300	43
22240W33C3	200	360	98	4	1,310	2,010	820	1,300	44
22244	220	400	108	4	1,580	2,460	730	1,100	60.4
22244K	220	400	108	4	1,580	2,460	730	1,100	59.1
22244KW33C3	220	400	108	4	1,580	2,460	730	1,100	59.1
22244W33C3	220	400	108	4	1,580	2,460	730	1,100	60.4
22248	240	440	120	4	1,940	3,100	660	1,000	81.7
22248K	240	440	120	4	1,940	3,100	660	1,000	80
22248KW33C3	240	440	120	4	1,940	3,100	660	1,000	80
22248W33C3	240	440	120	4	1,940	3,100	660	1,000	81.7
22252	260	480	130	5	2,230	3,600	610	930	106
22252K	260	480	130	5	2,230	3,600	610	930	104
22252KW33C3	260	480	130	5	2,230	3,600	610	930	104
22252W33C3	260	480	130	5	2,230	3,600	610	930	106
22256	280	500	130	5	2,310	3,800	560	860	112
22256K	280	500	130	5	2,310	3,800	560	860	110
22256KW33C3	280	500	130	5	2,310	3,800	560	860	110
22256W33C3	280	500	130	5	2,310	3,800	560	860	112
22260	300	540	140	5	2,670	4,350	510	790	141
22260K	300	540	140	5	2,670	4,350	510	790	138
22260KW33C3	300	540	140	5	2,670	4,350	510	790	138
22260W33C3	300	540	140	5	2,670	4,350	510	790	141



SPHEROCAL ROLLER BEARING



Bearing No.	Boundary dimensions				Basic load ratings(kN)		Limiting speeds		Mass
	mm				Dynamic	Static	rpm		Kg
	d	D	B	r _{min}	Cr	Cor	Grease	Oil	
22308	40	90	33	1.5	121	128	3,800	5,900	0.974
22308K	40	90	33	1.5	121	128	3,800	5,900	0.951
22308KW33C3	40	90	33	1.5	121	128	3,800	5,900	0.951
22308W33C3	40	90	33	1.5	121	128	3,800	5,900	0.974
22309	45	100	36	1.5	148	167	3,400	5,300	1.33
22309K	45	100	36	1.5	148	167	3,400	5,300	1.3
22309KW33C3	45	100	36	1.5	148	167	3,400	5,300	1.3
22309W33C3	45	100	36	1.5	148	167	3,400	5,300	1.33
22310	50	110	40	2	186	212	3,100	4,800	1.79
22310K	50	110	40	2	186	212	3,100	4,800	1.75
22310KW33C3	50	110	40	2	186	212	3,100	4,800	1.75
22310W33C3	50	110	40	2	186	212	3,100	4,800	1.79

SPHEROCAL ROLLER BEARING

22311	55	120	43	2	204	234	2,800	4,400	2.3
22311K	55	120	43	2	204	234	2,800	4,400	2.25
22311KW33C3	55	120	43	2	204	234	2,800	4,400	2.25
22311W33C3	55	120	43	2	204	234	2,800	4,400	2.3
22312	60	130	46	2.1	238	273	2,600	4,000	2.9
22312K	60	130	46	2.1	238	273	2,600	4,000	2.83
22312KW33C3	60	130	46	2.1	238	273	2,600	4,000	2.83
22312W33C3	60	130	46	2.1	238	273	2,600	4,000	2.9
22313	65	140	48	2.1	265	320	2,400	3,700	3.45
22313K	65	140	48	2.1	265	320	2,400	3,700	3.37
22313KW33C3	65	140	48	2.1	265	320	2,400	3,700	3.37
22313W33C3	65	140	48	2.1	265	320	2,400	3,700	3.45
22314	70	150	51	2.1	325	380	2,300	3,500	4.22
22314K	70	150	51	2.1	325	380	2,300	3,500	4.12
22314KW33C3	70	150	51	2.1	325	380	2,300	3,500	4.12
22314W33C3	70	150	51	2.1	325	380	2,300	3,500	4.22
22315	75	160	55	2.1	330	410	2,100	3,200	5.25
22315K	75	160	55	2.1	330	410	2,100	3,200	5.13
22315KW33C3	75	160	55	2.1	330	410	2,100	3,200	5.13
22315W33C3	75	160	55	2.1	330	410	2,100	3,200	5.25
22316	80	170	58	2.1	385	470	2,000	3,000	6.05
22316K	80	170	58	2.1	385	470	2,000	3,000	5.91
22316KW33C3	80	170	58	2.1	385	470	2,000	3,000	5.91
22316W33C3	80	170	58	2.1	385	470	2,000	3,000	6.05
22317	85	180	60	3	415	510	1,900	2,900	7.1
22317K	85	180	60	3	415	510	1,900	2,900	6.94
22317KW33C3	85	180	60	3	415	510	1,900	2,900	6.94
22317W33C3	85	180	60	3	415	510	1,900	2,900	7.1
22318	90	190	64	3	480	590	1,800	2,700	8.35
22318K	90	190	64	3	480	590	1,800	2,700	8.16
22318KW33C3	90	190	64	3	480	590	1,800	2,700	8.16
22318W33C3	90	190	64	3	480	590	1,800	2,700	8.35
22319	95	200	67	3	500	615	1,600	2,500	9.76
22319K	95	200	67	3	500	615	1,600	2,500	9.54

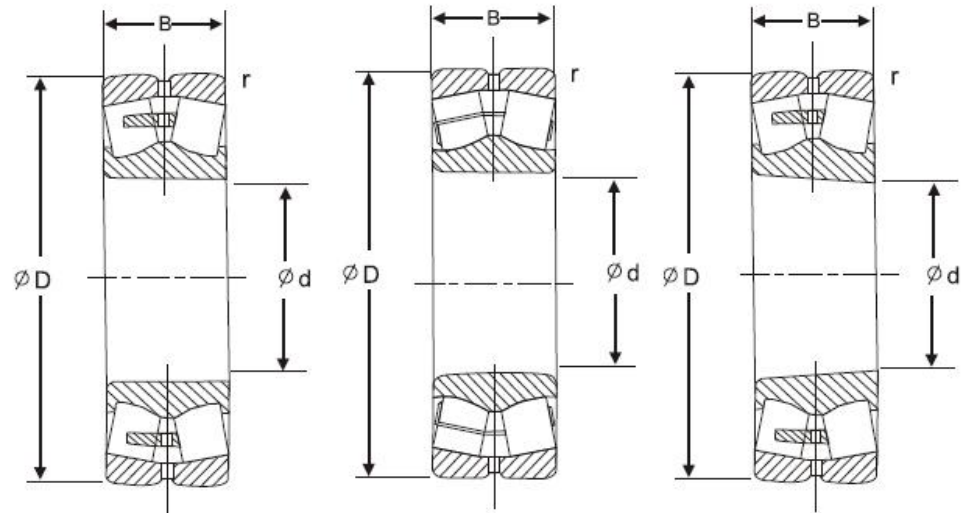
SPHEROCAL ROLLER BEARING

22319KW33C3	95	200	67	3	500	615	1,600	2,500	9.54
22319W33C3	95	200	67	3	500	615	1,600	2,500	9.76
22320	100	215	73	3	605	755	1,600	2,400	12.4
22320K	100	215	73	3	605	755	1,600	2,400	12.1
22320KW33C3	100	215	73	3	605	755	1,600	2,400	12.1
22320W33C3	100	215	73	3	605	755	1,600	2,400	12.4
22322	110	240	80	3	745	930	1,400	2,200	17.1
22322K	110	240	80	3	745	930	1,400	2,200	16.7
22322KW33C3	110	240	80	3	745	930	1,400	2,200	16.7
22322W33C3	110	240	80	3	745	930	1,400	2,200	17.1
22324	120	260	86	3	880	1,120	1,300	2,000	21.5
22324K	120	260	86	3	880	1,120	1,300	2,000	21
22324KW33C3	120	260	86	3	880	1,120	1,300	2,000	21
22324W33C3	120	260	86	3	880	1,120	1,300	2,000	21.5
22326	130	280	93	4	1,000	1,290	1,200	1,800	26.8
22326K	130	280	93	4	1,000	1,290	1,200	1,800	26.2
22326KW33C3	130	280	93	4	1,000	1,290	1,200	1,800	26.2
22326W33C3	130	280	93	4	1,000	1,290	1,200	1,800	26.8
22328	140	300	102	4	1,130	1,460	1,100	1,700	33.8
22328K	140	300	102	4	1,130	1,460	1,100	1,700	33
22328KW33C3	140	300	102	4	1,130	1,460	1,100	1,700	33
22328W33C3	140	300	102	4	1,130	1,460	1,100	1,700	33.8
22330	150	320	108	4	1,270	1,750	1,000	1,600	42.7
22330K	150	320	108	4	1,270	1,750	1,000	1,600	41.8
22330KW33C3	150	320	108	4	1,270	1,750	1,000	1,600	41.8
22330W33C3	150	320	108	4	1,270	1,750	1,000	1,600	42.7
22332	160	340	114	4	1,410	1,990	940	1,500	50.8
22332K	160	340	114	4	1,410	1,990	940	1,500	49.7
22332KW33C3	160	340	114	4	1,410	1,990	940	1,500	49.7
22332W33C3	160	340	114	4	1,410	1,990	940	1,500	50.8
22334	170	360	120	4	1,540	2,180	880	1,400	59.8
22334K	170	360	120	4	1,540	2,180	880	1,400	58.5
22334KW33C3	170	360	120	4	1,540	2,180	880	1,400	58.5
22334W33C3	170	360	120	4	1,540	2,180	880	1,400	59.8

SPHEROCAL ROLLER BEARING

22336	180	380	126	4	1,740	2,560	830	1,300	70
22336K	180	380	126	4	1,740	2,560	830	1,300	68.5
22336KW33C3	180	380	126	4	1,740	2,560	830	1,300	68.5
22336W33C3	180	380	126	4	1,740	2,560	830	1,300	70
22338	190	400	132	5	1,870	2,790	780	1,200	81
22338K	190	400	132	5	1,870	2,790	780	1,200	79.3
22338KW33C3	190	400	132	5	1,870	2,790	780	1,200	79.3
22338W33C3	190	400	132	5	1,870	2,790	780	1,200	81
22340	200	420	138	5	2,040	3,050	740	1,100	93.2
22340K	200	420	138	5	2,040	3,050	740	1,100	91.2
22340KW33C3	200	420	138	5	2,040	3,050	740	1,100	91.2
22340W33C3	200	420	138	5	2,040	3,050	740	1,100	93.2
22344	220	460	145	5	2,350	3,500	660	1,000	117
22344K	220	460	145	5	2,350	3,500	660	1,000	115
22344KW33C3	220	460	145	5	2,350	3,500	660	1,000	115
22344W33C3	220	460	145	5	2,350	3,500	660	1,000	117
22348	240	500	155	5	2,720	4,100	600	930	148
22348K	240	500	155	5	2,720	4,100	600	930	145
22348KW33C3	240	500	155	5	2,720	4,100	600	930	145
22348W33C3	240	500	155	5	2,720	4,100	600	930	148
22352	260	540	165	6	3,100	4,750	550	850	183
22352K	260	540	165	6	3,100	4,750	550	850	179
22352KW33C3	260	540	165	6	3,100	4,750	550	850	179
22352W33C3	260	540	165	6	3,100	4,750	550	850	183
22356	280	580	175	6	3,500	5,350	500	780	224
22356K	280	580	175	6	3,500	5,350	500	780	220
22356KW33C3	280	580	175	6	3,500	5,350	500	780	220
22356W33C3	280	580	175	6	3,500	5,350	500	780	224
22360	300	620	185	7.5	3,600	5,400	470	720	270
22360K	300	620	185	7.5	3,600	5,400	470	720	265
22360KW33C3	300	620	185	7.5	3,600	5,400	470	720	265
22360W33C3	300	620	185	7.5	3,600	5,400	470	720	270

SPHEROCAL ROLLER BEARING



Bearing No.	Boundary dimensions				Basic load ratings(kN)		Limiting speeds		Mass
	mm				Dynamic	Static	rpm		Kg
	d	D	B	r_{smin}	Cr	Cor	Grease	Oil	
23022	110	170	45	2	282	455	1,800	2,800	3.71
23022K	110	170	45	2	282	455	1,800	2,800	3.58
23022KW33C3	110	170	45	2	282	455	1,800	2,800	3.58
23022W33C3	110	170	45	2	282	455	1,800	2,800	3.71
23024	120	180	46	2	296	495	1,700	2,600	4.05
23024K	120	180	46	2	296	495	1,700	2,600	3.9
23024KW33C3	120	180	46	2	296	495	1,700	2,600	3.9
23024W33C3	120	180	46	2	296	495	1,700	2,600	4.05
23026	130	200	52	2	375	620	1,500	2,300	5.9
23026K	130	200	52	2	375	620	1,500	2,300	5.69
23026KW33C3	130	200	52	2	375	620	1,500	2,300	5.69
23026W33C3	130	200	52	2	375	620	1,500	2,300	5.9

SPHEROCAL ROLLER BEARING

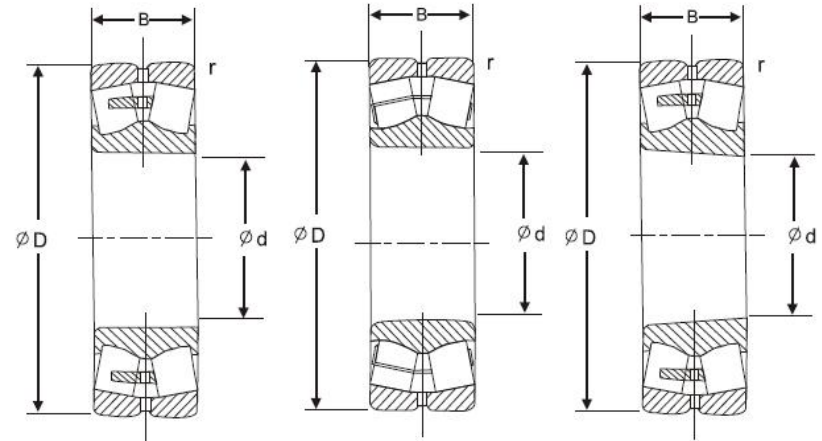
23028	140	210	53	2	405	690	1,400	2,200	6.35
23028K	140	210	53	2	405	690	1,400	2,200	6.12
23028KW33C3	140	210	53	2	405	690	1,400	2,200	6.12
23028W33C3	140	210	53	2	405	690	1,400	2,200	6.35
23030	150	225	56	2.1	445	775	1,300	2,000	7.73
23030K	150	225	56	2.1	445	775	1,300	2,000	7.45
23030KW33C3	150	225	56	2.1	445	775	1,300	2,000	7.45
23030W33C3	150	225	56	2.1	445	775	1,300	2,000	7.73
23032	160	240	60	2.1	505	885	1,200	1,900	9.42
23032K	160	240	60	2.1	505	885	1,200	1,900	9.09
23032KW33C3	160	240	60	2.1	505	885	1,200	1,900	9.09
23032W33C3	160	240	60	2.1	505	885	1,200	1,900	9.42
23034	170	260	67	2.1	630	1,080	1,100	1,800	12.7
23034K	170	260	67	2.1	630	1,080	1,100	1,800	12.3
23034KW33C3	170	260	67	2.1	630	1,080	1,100	1,800	12.3
23034W33C3	170	260	67	2.1	630	1,080	1,100	1,800	12.7
23036	180	280	74	2.1	740	1,290	1,100	1,700	16.7
23036K	180	280	74	2.1	740	1,290	1,100	1,700	16.1
23036KW33C3	180	280	74	2.1	740	1,290	1,100	1,700	16.1
23036W33C3	180	280	74	2.1	740	1,290	1,100	1,700	16.7
23038	190	290	75	2.1	755	1,350	1,000	1,600	17.7
23038K	190	290	75	2.1	755	1,350	1,000	1,600	17.1
23038KW33C3	190	290	75	2.1	755	1,350	1,000	1,600	17.1
23038W33C3	190	290	75	2.1	755	1,350	1,000	1,600	17.7
23040	200	310	82	2.1	915	1,620	960	1,500	22.7
23040K	200	310	82	2.1	915	1,620	960	1,500	21.9
23040KW33C3	200	310	82	2.1	915	1,620	960	1,500	21.9
23040W33C3	200	310	82	2.1	915	1,620	960	1,500	22.7
23044	220	340	90	3	1,060	1,920	870	1,300	29.9
23044K	220	340	90	3	1,060	1,920	870	1,300	28.8
23044KW33C3	220	340	90	3	1,060	1,920	870	1,300	28.8
23044W33C3	220	340	90	3	1,060	1,920	870	1,300	29.9
23048	240	360	92	3	1,130	2,140	790	1,200	33.4
23048K	240	360	92	3	1,130	2,140	790	1,200	32.2

SPHEROCAL ROLLER BEARING

23048KW33C3	240	360	92	3	1,130	2,140	790	1,200	32.2
23048W33C3	240	360	92	3	1,130	2,140	790	1,200	33.4
23052	260	400	104	4	1,420	2,620	720	1,100	48.5
23052K	260	400	104	4	1,420	2,620	720	1,100	46.8
23052KW33C3	260	400	104	4	1,420	2,620	720	1,100	46.8
23052W33C3	260	400	104	4	1,420	2,620	720	1,100	48.5
23056	280	420	106	4	1,510	2,920	660	1,000	52.4
23056K	280	420	106	4	1,510	2,920	660	1,000	50.6
23056KW33C3	280	420	106	4	1,510	2,920	660	1,000	50.6
23056W33C3	280	420	106	4	1,510	2,920	660	1,000	52.4
23060	300	460	118	4	1,890	3,550	610	940	72.4
23060K	300	460	118	4	1,890	3,550	610	940	70.2
23060KW33C3	300	460	118	4	1,890	3,550	610	940	70.2
23060W33C3	300	460	118	4	1,890	3,550	610	940	72.4



SPHEROCAL ROLLER BEARING



Bearing No.	Boundary dimensions				Basic load ratings(kN)		Limiting speeds		Mass
	mm				Dynamic	Static	rpm		Kg
	d	D	B	r_{smin}	Cr	Cor	Grease	Oil	
23120	100	165	52	2	310	470	1,700	2,600	4.3
23120K	100	165	52	2	310	470	1,700	2,600	4.16
23120KW33C3	100	165	52	2	310	470	1,700	2,600	4.16
23120W33C3	100	165	52	2	310	470	1,700	2,600	4.3
23122	110	180	56	2	370	580	1,500	2,400	5.4
23122K	110	180	56	2	370	580	1,500	2,400	5.22
23122KW33C3	110	180	56	2	370	580	1,500	2,400	5.22
23122W33C3	110	180	56	2	370	580	1,500	2,400	5.4
23124	120	200	62	2	455	705	1,400	2,100	7.7
23124K	120	200	62	2	455	705	1,400	2,100	7.46
23124KW33C3	120	200	62	2	455	705	1,400	2,100	7.46
23124W33C3	120	200	62	2	455	705	1,400	2,100	7.7

SPHEROCAL ROLLER BEARING

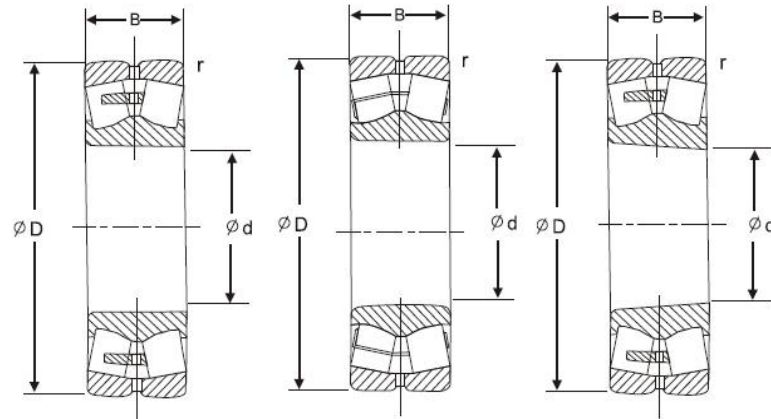
23126	130	210	64	2	495	795	1,300	2,000	8.47
23126K	130	210	64	2	495	795	1,300	2,000	8.2
23126KW33C3	130	210	64	2	495	795	1,300	2,000	8.2
23126W33C3	130	210	64	2	495	795	1,300	2,000	8.47
23128	140	225	68	2.1	540	895	1,200	1,800	10.2
23128K	140	225	68	2.1	540	895	1,200	1,800	9.86
23128KW33C3	140	225	68	2.1	540	895	1,200	1,800	9.86
23128W33C3	140	225	68	2.1	540	895	1,200	1,800	10.2
23130	150	250	80	2.1	730	1,190	1,100	1,700	15.6
23130K	150	250	80	2.1	730	1,190	1,100	1,700	15.1
23130KW33C3	150	250	80	2.1	730	1,190	1,100	1,700	15.1
23130W33C3	150	250	80	2.1	730	1,190	1,100	1,700	15.6
23132	160	270	86	2.1	840	1,370	1,000	1,600	19.8
23132K	160	270	86	2.1	840	1,370	1,000	1,600	19.2
23132KW33C3	160	270	86	2.1	840	1,370	1,000	1,600	19.2
23132W33C3	160	270	86	2.1	840	1,370	1,000	1,600	19.8
23134	170	280	88	2.1	885	1,490	960	1,500	21.5
23134K	170	280	88	2.1	885	1,490	960	1,500	20.8
23134KW33C3	170	280	88	2.1	885	1,490	960	1,500	20.8
23134W33C3	170	280	88	2.1	885	1,490	960	1,500	21.5
23136	180	300	96	3	1,030	1,730	900	1,400	25.1
23136K	180	300	96	3	1,030	1,730	900	1,400	24.2
23136KW33C3	180	300	96	3	1,030	1,730	900	1,400	24.2
23136W33C3	180	300	96	3	1,030	1,730	900	1,400	25.1
23138	190	320	104	3	1,190	2,020	850	1,300	35.3
23138K	190	320	104	3	1,190	2,020	850	1,300	34.2
23138KW33C3	190	320	104	3	1,190	2,020	850	1,300	34.2
23138W33C3	190	320	104	3	1,190	2,020	850	1,300	35.3
23140	200	340	112	3	1,350	2,270	800	1,200	43.3
23140K	200	340	112	3	1,350	2,270	800	1,200	42
23140KW33C3	200	340	112	3	1,350	2,270	800	1,200	42
23140W33C3	200	340	112	3	1,350	2,270	800	1,200	43.3
23144	220	370	120	4	1,540	2,670	720	1,100	53.3
23144K	220	370	120	4	1,540	2,670	720	1,100	51.6
23144KW33C3	220	370	120	4	1,540	2,670	720	1,100	51.6

SPHEROCAL ROLLER BEARING

23144W33C3	220	370	120	4	1,540	2,670	720	1,100	53.3
23148	240	400	128	4	1,730	3,050	650	1,000	65.8
23148K	240	400	128	4	1,730	3,050	650	1,000	63.8
23148KW33C3	240	400	128	4	1,730	3,050	650	1,000	63.8
23148W33C3	240	400	128	4	1,730	3,050	650	1,000	65.8
23152	260	440	144	4	2,140	3,850	600	920	91.4
23152K	260	440	144	4	2,140	3,850	600	920	88.6
23152KW33C3	260	440	144	4	2,140	3,850	600	920	88.6
23152W33C3	260	440	144	4	2,140	3,850	600	920	91.4
23156	280	460	146	5	2,300	4,250	550	850	97.7
23156K	280	460	146	5	2,300	4,250	550	850	94.6
23156KW33C3	280	460	146	5	2,300	4,250	550	850	94.6
23156W33C3	280	460	146	5	2,300	4,250	550	850	97.7
23160	300	500	160	5	2,750	5,000	510	780	131
23160K	300	500	160	5	2,750	5,000	510	780	127
23160KW33C3	300	500	160	5	2,750	5,000	510	780	127
23160W33C3	300	500	160	5	2,750	5,000	510	780	131



SPHEROCAL ROLLER BEARING



Bearing No.	Boundary dimensions				Basic load ratings(kN)		Limiting speeds		Mass
	mm				Dynamic	Static	rpm		Kg
	d	D	B	r _{sm}	Cr	Cor	Grease	Oil	
23218	90	160	52.4	2	315	455	1,800	2,800	4.45
23218K	90	160	52.4	2	315	455	1,800	2,800	4.32
23218KW33C3	90	160	52.4	2	315	455	1,800	2,800	4.32
23218W33C3	90	160	52.4	2	315	455	1,800	2,800	4.45
23220	100	180	60.3	2.1	405	580	1,600	2,500	6.47
23220K	100	180	60.3	2.1	405	580	1,600	2,500	6.28
23220KW33C3	100	180	60.3	2.1	405	580	1,600	2,500	6.28
23220W33C3	100	180	60.3	2.1	405	580	1,600	2,500	6.47
23222	110	200	69.8	2.1	515	760	1,400	2,200	9.71
23222K	110	200	69.8	2.1	515	760	1,400	2,200	9.43
23222KW33C3	110	200	69.8	2.1	515	760	1,400	2,200	9.43
23222W33C3	110	200	69.8	2.1	515	760	1,400	2,200	9.71
23224	120	215	76	2.1	585	880	1,300	2,000	12.1
23224K	120	215	76	2.1	585	880	1,300	2,000	11.7

SPHEROCAL ROLLER BEARING

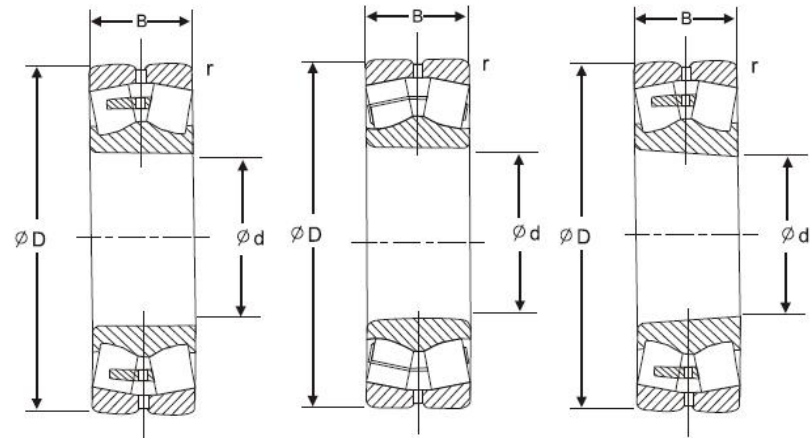
23224KW33C3	120	215	76	2.1	585	880	1,300	2,000	11.7
23224W33C3	120	215	76	2.1	585	880	1,300	2,000	12.1
23226	130	230	80	3	685	1,060	1,200	1,900	14.3
23226K	130	230	80	3	685	1,060	1,200	1,900	13.9
23226KW33C3	130	230	80	3	685	1,060	1,200	1,900	13.9
23226W33C3	130	230	80	3	685	1,060	1,200	1,900	14.3
23228	140	250	88	3	805	1,270	1,100	1,700	18.8
23228K	140	250	88	3	805	1,270	1,100	1,700	18.2
23228KW33C3	140	250	88	3	805	1,270	1,100	1,700	18.2
23228W33C3	140	250	88	3	805	1,270	1,100	1,700	18.8
23230	150	270	96	3	935	1,460	1,000	1,600	24.1
23230K	150	270	96	3	935	1,460	1,000	1,600	23.4
23230KW33C3	150	270	96	3	935	1,460	1,000	1,600	23.4
23230W33C3	150	270	96	3	935	1,460	1,000	1,600	24.1
23232	160	290	104	3	1,050	1,660	960	1,500	30
23232K	160	290	104	3	1,050	1,660	960	1,500	29.1
23232KW33C3	160	290	104	3	1,050	1,660	960	1,500	29.1
23232W33C3	160	290	104	3	1,050	1,660	960	1,500	30
23234	170	310	110	4	1,180	1,960	910	1,400	36.8
23234K	170	310	110	4	1,180	1,960	910	1,400	35.7
23234KW33C3	170	310	110	4	1,180	1,960	910	1,400	35.7
23234W33C3	170	310	110	4	1,180	1,960	910	1,400	36.8
23236	180	320	112	4	1,230	2,000	850	1,300	39
23236K	180	320	112	4	1,230	2,000	850	1,300	37.8
23236KW33C3	180	320	112	4	1,230	2,000	850	1,300	37.8
23236W33C3	180	320	112	4	1,230	2,000	850	1,300	39
23238	190	340	120	4	1,400	2,330	790	1,200	47.6
23238K	190	340	120	4	1,400	2,330	790	1,200	46.2
23238KW33C3	190	340	120	4	1,400	2,330	790	1,200	46.2
23238W33C3	190	340	120	4	1,400	2,330	790	1,200	47.6
23240	200	360	128	4	1,610	2,640	750	1,200	57.2
23240K	200	360	128	4	1,610	2,640	750	1,200	55.5
23240KW33C3	200	360	128	4	1,610	2,640	750	1,200	55.5
23240W33C3	200	360	128	4	1,610	2,640	750	1,200	57.2
23244	220	400	144	4	2,010	3,350	670	1,000	80
23244K	220	400	144	4	2,010	3,350	670	1,000	77.6

SPHEROCAL ROLLER BEARING

23244KW33C3	220	400	144	4	2,010	3,350	670	1,000	77.6
23244W33C3	220	400	144	4	2,010	3,350	670	1,000	80
23248	240	440	160	4	2,430	4,100	610	940	108
23248K	240	440	160	4	2,430	4,100	610	940	105
23248KW33C3	240	440	160	4	2,430	4,100	610	940	105
23248W33C3	240	440	160	4	2,430	4,100	610	940	108
23252	260	480	174	5	2,760	4,700	560	860	141
23252K	260	480	174	5	2,760	4,700	560	860	137
23252KW33C3	260	480	174	5	2,760	4,700	560	860	137
23252W33C3	260	480	174	5	2,760	4,700	560	860	141
23256	280	500	176	5	2,930	5,150	510	790	150
23256K	280	500	176	5	2,930	5,150	510	790	145
23256KW33C3	280	500	176	5	2,930	5,150	510	790	145
23256W33C3	280	500	176	5	2,930	5,150	510	790	150
23260	300	540	192	5	3,450	6,000	470	730	193
23260K	300	540	192	5	3,450	6,000	470	730	187
23260KW33C3	300	540	192	5	3,450	6,000	470	730	187
23260W33C3	300	540	192	5	3,450	6,000	470	730	193



SPHEROCAL ROLLER BEARING



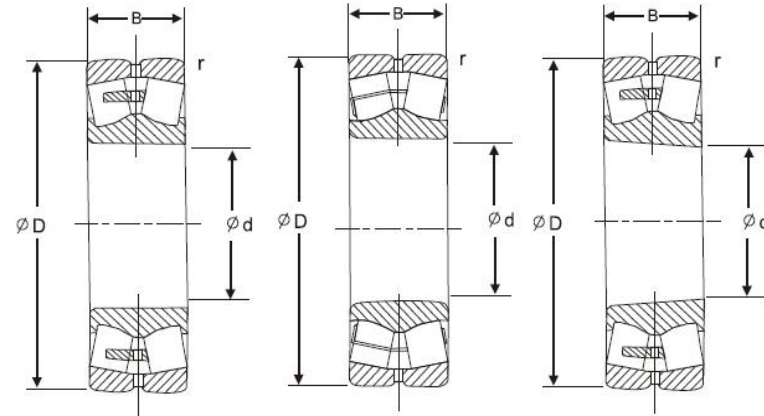
Bearing No.	Boundary dimensions				Basic load ratings(kN)		Limiting speeds		Mass
	mm				Dynamic	Static	rpm		Kg
	d	D	B	$r_{s \min}$	Cr	Cor	Grease	Oil	
23936	180	250	52	2	440	835	1,200	1,800	8.21
23936K	180	250	52	2	440	835	1,200	1,800	7.95
23936KW33C3	180	250	52	2	440	835	1,200	1,800	7.95
23936W33C3	180	250	52	2	440	835	1,200	1,800	8.21
23938	190	260	52	2	460	890	1,100	1,700	8.6
23938K	190	260	52	2	460	890	1,100	1,700	8.34
23938KW33C3	190	260	52	2	460	890	1,100	1,700	8.34
23938W33C3	190	260	52	2	460	890	1,100	1,700	8.6
23940	200	280	60	2.1	545	1,100	1,000	1,600	12.1
23940K	200	280	60	2.1	545	1,100	1,000	1,600	11.7
23940KW33C3	200	280	60	2.1	545	1,100	1,000	1,600	11.7
23940W33C3	200	280	60	2.1	545	1,100	1,000	1,600	12.1
23944	220	300	60	2.1	565	1,170	930	1,400	13.1

SPHEROCAL ROLLER BEARING

23944K	220	300	60	2.1	565	1,170	930	1,400	12.7
23944KW33C3	220	300	60	2.1	565	1,170	930	1,400	12.7
23944W33C3	220	300	60	2.1	565	1,170	930	1,400	13.1
23948	240	320	60	2.1	565	1,190	840	1,300	14
23948K	240	320	60	2.1	565	1,190	840	1,300	13.6
23948KW33C3	240	320	60	2.1	565	1,190	840	1,300	13.6
23948W33C3	240	320	60	2.1	565	1,190	840	1,300	14
23952	260	360	75	2.1	760	1,580	770	1,200	24
23952K	260	360	75	2.1	760	1,580	770	1,200	23.3
23952KW33C3	260	360	75	2.1	760	1,580	770	1,200	23.3
23952W33C3	260	360	75	2.1	760	1,580	770	1,200	24
23956	280	380	75	2.1	830	1,750	710	1,100	26.4
23956K	280	380	75	2.1	830	1,750	710	1,100	25.6
23956KW33C3	280	380	75	2.1	830	1,750	710	1,100	25.6
23956W33C3	280	380	75	2.1	830	1,750	710	1,100	26.4
23960	300	420	90	3	1,110	2,320	650	1,000	40
23960K	300	420	90	3	1,110	2,320	650	1,000	38.7
23960KW33C3	300	420	90	3	1,110	2,320	650	1,000	38.7
23960W33C3	300	420	90	3	1,110	2,320	650	1,000	40



SPHEROCAL ROLLER BEARING



Bearing No.	Boundary dimensions				Basic load ratings(kN)		Limiting speeds		Mass
	mm				Dynamic	Static	rpm		Kg
	d	D	B	rs min	Cr	Cor	Grease	Oil	
24024	120	180	60	2	390	670	1,500	2,300	5.48
24024K30	120	180	60	2	390	670	1,500	2,300	5.39
24024K30W33C3	120	180	60	2	390	670	1,500	2,300	5.39
24024W33C3	120	180	60	2	390	670	1,500	2,300	5.48
24026	130	200	69	2	505	895	1,300	2,100	8.08
24026K30	130	200	69	2	505	895	1,300	2,100	7.95
24026K30W33C3	130	200	69	2	505	895	1,300	2,100	7.95
24026W33C3	130	200	69	2	505	895	1,300	2,100	8.08
24028	140	210	69	2	510	945	1,200	1,900	8.57
24028K30	140	210	69	2	510	945	1,200	1,900	8.43
24028K30W33C3	140	210	69	2	510	945	1,200	1,900	8.43
24028W33C3	140	210	69	2	510	945	1,200	1,900	8.57
24030	150	225	75	2.1	585	1,060	1,200	1,800	10.7
24030K30	150	225	75	2.1	585	1,060	1,200	1,800	10.5
24030K30W33C3	150	225	75	2.1	585	1,060	1,200	1,800	10.5

SPHEROCAL ROLLER BEARING

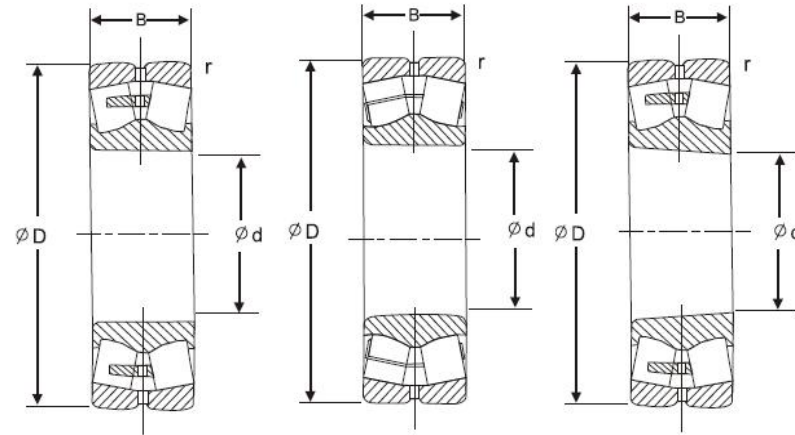
24030W33C3	150	225	75	2.1	585	1,060	1,200	1,800	10.7
24032	160	240	80	2.1	650	1,200	1,100	1,700	13
24032K30	160	240	80	2.1	650	1,200	1,100	1,700	12.8
24032K30W33C3	160	240	80	2.1	650	1,200	1,100	1,700	12.8
24032W33C3	160	240	80	2.1	650	1,200	1,100	1,700	13
24034	170	260	90	2.1	800	1,470	1,000	1,600	17.7
24034K30	170	260	90	2.1	800	1,470	1,000	1,600	17.4
24034K30W33C3	170	260	90	2.1	800	1,470	1,000	1,600	17.4
24034W33C3	170	260	90	2.1	800	1,470	1,000	1,600	17.7
24036	180	280	100	2.1	965	1,770	950	1,500	23.3
24036K30	180	280	100	2.1	965	1,770	950	1,500	22.9
24036K30W33C3	180	280	100	2.1	965	1,770	950	1,500	22.9
24036W33C3	180	280	100	2.1	965	1,770	950	1,500	23.3
24038	190	290	100	2.1	995	1,850	900	1,400	24.3
24038K30	190	290	100	2.1	995	1,850	900	1,400	23.9
24038K30W33C3	190	290	100	2.1	995	1,850	900	1,400	23.9
24038W33C3	190	290	100	2.1	995	1,850	900	1,400	24.3
24040	200	310	109	2.1	1,160	2,140	850	1,300	31
24040K30	200	310	109	2.1	1,160	2,140	850	1,300	30.5
24040K30W33C3	200	310	109	2.1	1,160	2,140	850	1,300	30.5
24040W33C3	200	310	109	2.1	1,160	2,140	850	1,300	31
24044	220	340	118	3	1,350	2,570	770	1,200	40.2
24044K30	220	340	118	3	1,350	2,570	770	1,200	39.6
24044K30W33C3	220	340	118	3	1,350	2,570	770	1,200	39.6
24044W33C3	220	340	118	3	1,350	2,570	770	1,200	40.2
24048	240	360	118	3	1,410	2,770	700	1,100	43
24048K30	240	360	118	3	1,410	2,770	700	1,100	42.3
24048K30W33C3	240	360	118	3	1,410	2,770	700	1,100	42.3
24048W33C3	240	360	118	3	1,410	2,770	700	1,100	43
24052	260	400	140	4	1,830	3,550	640	980	65.2
24052K30	260	400	140	4	1,830	3,550	640	980	64.1
24052K30W33C3	260	400	140	4	1,830	3,550	640	980	64.1
24052W33C3	260	400	140	4	1,830	3,550	640	980	65.2
24056	280	420	140	4	1,950	3,950	590	900	69
24056K30	280	420	140	4	1,950	3,950	590	900	67.9
24056K30W33C3	280	420	140	4	1,950	3,950	590	900	67.9
24056W33C3	280	420	140	4	1,950	3,950	590	900	69

SPHERICAL ROLLER BEARING

24060	300	460	160	4	2,450	4,950	540	840	98
24060K30	300	460	160	4	2,450	4,950	540	840	96.4
24060K30W33C3	300	460	160	4	2,450	4,950	540	840	96.4
24060W33C3	300	460	160	4	2,450	4,950	540	840	98



SPHEROCAL ROLLER BEARING



Bearing No.	Boundary dimensions				Basic load ratings(kN)		Limiting speeds		Mass
	mm				Dynamic	Static	rpm		Kg
	d	D	B	r_{smin}	Cr	Cor	Grease	Oil	
24122	110	180	69	2	450	755	1,500	2,400	7.07
24122K30	110	180	69	2	450	755	1,500	2,400	6.96
24122K30W33C3	110	180	69	2	450	755	1,500	2,400	6.96
24122W33C3	110	180	69	2	450	755	1,500	2,400	7.07
24124	120	200	80	2	575	945	1,400	2,100	10.3
24124K30	120	200	80	2	575	945	1,400	2,100	10.1
24124K30W33C3	120	200	80	2	575	945	1,400	2,100	10.1
24124W33C3	120	200	80	2	575	945	1,400	2,100	10.3
24126	130	210	80	2	585	995	1,300	2,000	11
24126K30	130	210	80	2	585	995	1,300	2,000	10.8
24126K30W33C3	130	210	80	2	585	995	1,300	2,000	10.8
24126W33C3	130	210	80	2	585	995	1,300	2,000	11
24128	140	225	85	2.1	670	1,150	1,200	1,800	13.3

SPHEROCAL ROLLER BEARING

24128K30	140	225	85	2.1	670	1,150	1,200	1,800	13.1
24128K30W33C3	140	225	85	2.1	670	1,150	1,200	1,800	13.1
24128W33C3	140	225	85	2.1	670	1,150	1,200	1,800	13.3
24130	150	250	100	2.1	885	1,520	1,100	1,700	20.2
24130K30	150	250	100	2.1	885	1,520	1,100	1,700	20
24130K30W33C3	150	250	100	2.1	885	1,520	1,100	1,700	20
24130W33C3	150	250	100	2.1	885	1,520	1,100	1,700	20.2
24132	160	270	109	2.1	1,040	1,780	1,000	1,600	26
24132K30	160	270	109	2.1	1,040	1,780	1,000	1,600	25.6
24132K30W33C3	160	270	109	2.1	1,040	1,780	1,000	1,600	25.6
24132W33C3	160	270	109	2.1	1,040	1,780	1,000	1,600	26
24134	170	280	109	2.1	1,080	1,880	960	1,500	27.2
24134K30	170	280	109	2.1	1,080	1,880	960	1,500	26.8
24134K30W33C3	170	280	109	2.1	1,080	1,880	960	1,500	26.8
24134W33C3	170	280	109	2.1	1,080	1,880	960	1,500	27.2
24136	180	300	118	3	1,250	2,210	900	1,400	34.3
24136K30	180	300	118	3	1,250	2,210	900	1,400	33.8
24136K30W33C3	180	300	118	3	1,250	2,210	900	1,400	33.8
24136W33C3	180	300	118	3	1,250	2,210	900	1,400	34.3
24138	190	320	128	3	1,420	2,480	850	1,300	42.8
24138K30	190	320	128	3	1,420	2,480	850	1,300	42.2
24138K30W33C3	190	320	128	3	1,420	2,480	850	1,300	42.2
24138W33C3	190	320	128	3	1,420	2,480	850	1,300	42.8
24140	200	340	140	3	1,630	2,900	800	1,200	53.4
24140K30	200	340	140	3	1,630	2,900	800	1,200	52.6
24140K30W33C3	200	340	140	3	1,630	2,900	800	1,200	52.6
24140W33C3	200	340	140	3	1,630	2,900	800	1,200	53.4
24144	220	370	150	4	1,880	3,400	720	1,100	67
24144K30	220	370	150	4	1,880	3,400	720	1,100	66
24144K30W33C3	220	370	150	4	1,880	3,400	720	1,100	66
24144W33C3	220	370	150	4	1,880	3,400	720	1,100	67
24148	240	400	160	4	2,110	3,800	650	1,000	82.2
24148K30	240	400	160	4	2,110	3,800	650	1,000	80.9
24148K30W33C3	240	400	160	4	2,110	3,800	650	1,000	80.9
24148W33C3	240	400	160	4	2,110	3,800	650	1,000	82.2

SPHEROCAL ROLLER BEARING

24152	260	440	180	4	2,510	4,600	600	920	114
24152K30	260	440	180	4	2,510	4,600	600	920	112
24152K30W33C3	260	440	180	4	2,510	4,600	600	920	112
24152W33C3	260	440	180	4	2,510	4,600	600	920	114
24156	280	460	180	5	2,730	5,200	550	850	120
24156K30	280	460	180	5	2,730	5,200	550	850	118
24156K30W33C3	280	460	180	5	2,730	5,200	550	850	118
24156W33C3	280	460	180	5	2,730	5,200	550	850	120
24160	300	500	200	5	3,300	6,400	510	780	161
24160K30	300	500	200	5	3,300	6,400	510	780	159
24160K30W33C3	300	500	200	5	3,300	6,400	510	780	159
24160W33C3	300	500	200	5	3,300	6,400	510	780	161

