

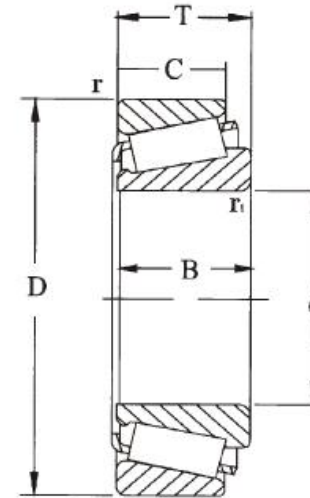


TAPER ROLLER BEARING



TAPER ROLLER BEARING

# METRIC SERIES TAPER ROLLER BEARING



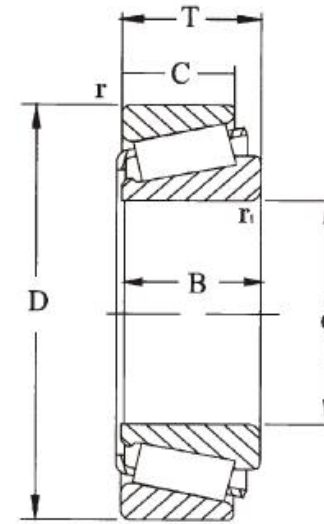
| Bearing No. | Boundary dimensions |     |       |    |    |      |      | Basic load rating(kN) |        | Limiting speed |       | Mass  |
|-------------|---------------------|-----|-------|----|----|------|------|-----------------------|--------|----------------|-------|-------|
|             | mm                  |     |       |    |    |      |      | Dynamic               | Static | rpm            |       | Kg    |
|             | d                   | D   | T     | B  | C  | Rmin | rmin | Cr                    | Cor    | Grease         | Oil   |       |
| 30202       | 15                  | 35  | 11.75 | 11 | 10 | 0.6  | 0.6  | 11.9                  | 13.5   | 9000           | 13000 | 0.053 |
| 30203       | 17                  | 40  | 13.25 | 12 | 11 | 1    | 1    | 20.7                  | 22.2   | 9000           | 13000 | 0.096 |
| 30204       | 20                  | 47  | 15.25 | 14 | 12 | 1    | 1    | 28.2                  | 30.9   | 8000           | 11000 | 0.128 |
| 30205       | 25                  | 52  | 16.25 | 15 | 13 | 1    | 1    | 33.7                  | 39.4   | 7500           | 10000 | 0.153 |
| 30206       | 30                  | 62  | 17.25 | 16 | 14 | 1    | 1    | 43.3                  | 50.6   | 6300           | 8500  | 0.232 |
| 30207       | 35                  | 72  | 18.25 | 17 | 15 | 1.5  | 1.5  | 54.2                  | 63.7   | 5300           | 7000  | 0.337 |
| 30208       | 40                  | 80  | 19.75 | 18 | 16 | 1.5  | 1.5  | 63                    | 74.1   | 4800           | 6300  | 0.422 |
| 30209       | 45                  | 85  | 20.75 | 19 | 16 | 1.5  | 1.5  | 67                    | 84     | 4500           | 6000  | 0.476 |
| 30210       | 50                  | 90  | 21.75 | 20 | 17 | 1.5  | 1.5  | 76                    | 97     | 4300           | 5600  | 0.538 |
| 30211       | 55                  | 100 | 22.75 | 21 | 18 | 2    | 1.5  | 90                    | 116    | 3800           | 5000  | 0.715 |
| 30212       | 60                  | 110 | 23.75 | 22 | 19 | 2    | 1.5  | 103                   | 132    | 3400           | 4500  | 0.905 |
| 30213       | 65                  | 120 | 24.75 | 23 | 20 | 2    | 1.5  | 120                   | 154    | 3000           | 4000  | 1.12  |
| 30214       | 70                  | 125 | 26.25 | 24 | 21 | 2    | 1.5  | 132                   | 174    | 3000           | 4000  | 1.26  |
| 30215       | 75                  | 130 | 27.25 | 25 | 22 | 2    | 1.5  | 137                   | 186    | 2800           | 3800  | 1.36  |
| 30216       | 80                  | 140 | 28.25 | 26 | 22 | 2.5  | 2    | 160                   | 213    | 2400           | 3400  | 1.67  |

## METRIC SERIES TAPER ROLLER BEARING

|              |     |     |       |    |    |     |     |     |      |      |      |      |
|--------------|-----|-----|-------|----|----|-----|-----|-----|------|------|------|------|
| <b>30217</b> | 85  | 150 | 30.5  | 28 | 24 | 2.5 | 2   | 180 | 242  | 2200 | 3200 | 2.08 |
| <b>30218</b> | 90  | 160 | 32.5  | 30 | 26 | 2.5 | 2   | 199 | 270  | 2000 | 3000 | 2.53 |
| <b>30219</b> | 95  | 170 | 34.5  | 32 | 27 | 3   | 2.5 | 226 | 310  | 1900 | 2800 | 3.06 |
| <b>30220</b> | 100 | 180 | 37    | 34 | 29 | 3   | 2.5 | 253 | 351  | 1900 | 2800 | 3.72 |
| <b>30221</b> | 105 | 190 | 39    | 36 | 30 | 3   | 2.5 | 284 | 400  | 1800 | 2600 | 4.39 |
| <b>30222</b> | 110 | 200 | 41    | 38 | 32 | 3.5 | 2   | 314 | 445  | 1700 | 2400 | 5.21 |
| <b>30224</b> | 120 | 215 | 43.5  | 40 | 34 | 3   | 2.5 | 335 | 487  | 1600 | 2200 | 6.19 |
| <b>30226</b> | 130 | 230 | 43.75 | 40 | 34 | 4   | 3   | 364 | 525  | 1500 | 2000 | 6.94 |
| <b>30228</b> | 140 | 250 | 45.75 | 42 | 36 | 4   | 3   | 407 | 589  | 1400 | 1900 | 8.75 |
| <b>30230</b> | 150 | 270 | 49    | 45 | 38 | 4   | 3   | 449 | 651  | 1300 | 1800 | 10.8 |
| <b>30232</b> | 160 | 290 | 52    | 48 | 40 | 4   | 3   | 509 | 744  | 1100 | 1600 | 12.9 |
| <b>30234</b> | 170 | 310 | 57    | 52 | 43 | 5   | 4   | 616 | 865  | 1000 | 1500 | 19   |
| <b>30236</b> | 180 | 320 | 57    | 52 | 43 | 5   | 4   | 583 | 815  | 1000 | 1500 | 20   |
| <b>30238</b> | 190 | 340 | 60    | 55 | 46 | 3   | 2.5 | 721 | 1000 | 950  | 1400 | 24   |
| <b>30240</b> | 200 | 360 | 64    | 58 | 48 | 5   | 4   | 792 | 1120 | 900  | 1300 | 25   |



# METRIC SERIES TAPER ROLLER BEARING



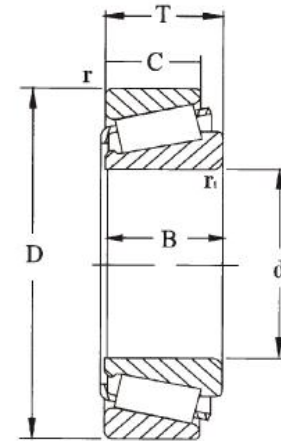
| Bearing No. | Boundary dimensions |     |       |    |    |      |      | Basic load rating(kN) |        | Limiting speed |       | Mass  |
|-------------|---------------------|-----|-------|----|----|------|------|-----------------------|--------|----------------|-------|-------|
|             | mm                  |     |       |    |    |      |      | Dynamic               | Static | rpm            |       | Kg    |
|             | d                   | D   | T     | B  | C  | Rmin | rmin | Cr                    | Cor    | Grease         | Oil   |       |
| 30302       | 15                  | 42  | 14.25 | 13 | 11 | 1    | 1    | 22.9                  | 21.7   | 9000           | 13000 | 0.096 |
| 30303       | 17                  | 47  | 15.25 | 14 | 12 | 1    | 1    | 28.3                  | 27.4   | 8500           | 12000 | 0.13  |
| 30304       | 20                  | 52  | 16.25 | 15 | 13 | 1.5  | 1.5  | 33.2                  | 33.3   | 8000           | 11000 | 0.166 |
| 30305       | 25                  | 62  | 18.25 | 17 | 15 | 1.5  | 1.5  | 47                    | 48.3   | 6700           | 9000  | 0.266 |
| 30306       | 30                  | 72  | 20.75 | 19 | 16 | 1.5  | 1.5  | 59                    | 63.9   | 5600           | 7500  | 0.391 |
| 30307       | 35                  | 80  | 22.75 | 21 | 18 | 2    | 1.5  | 75.4                  | 83.6   | 5000           | 6700  | 0.484 |
| 30308       | 40                  | 90  | 25.25 | 23 | 20 | 2    | 1.5  | 90                    | 108    | 4500           | 6000  | 0.751 |
| 30309       | 45                  | 100 | 27.25 | 25 | 22 | 2    | 1.5  | 108                   | 120    | 4000           | 5300  | 0.985 |
| 30310       | 50                  | 110 | 29.25 | 27 | 23 | 2.5  | 2    | 130                   | 159    | 3600           | 4800  | 1.28  |
| 30311       | 55                  | 120 | 31.5  | 29 | 25 | 2.5  | 2    | 153                   | 190    | 3200           | 4300  | 1.61  |
| 30312       | 60                  | 130 | 33.5  | 31 | 26 | 3    | 2.5  | 170                   | 211    | 3000           | 4000  | 1.95  |
| 30313       | 65                  | 140 | 36    | 33 | 28 | 3    | 2.5  | 195                   | 244    | 2600           | 3600  | 2.44  |
| 30314       | 70                  | 150 | 38    | 35 | 30 | 3    | 2.5  | 187                   | 220    | 2000           | 3000  | 2.99  |
| 30315       | 75                  | 160 | 40    | 37 | 31 | 3    | 2.5  | 250                   | 318    | 2200           | 3200  | 3.58  |

## METRIC SERIES TAPER ROLLER BEARING

|              |     |     |       |    |    |   |     |      |      |      |      |      |
|--------------|-----|-----|-------|----|----|---|-----|------|------|------|------|------|
| <b>30316</b> | 80  | 170 | 42.5  | 39 | 33 | 3 | 2.5 | 278  | 356  | 2000 | 3000 | 4.27 |
| <b>30317</b> | 85  | 180 | 44.5  | 41 | 34 | 4 | 3   | 304  | 392  | 1900 | 2800 | 4.97 |
| <b>30318</b> | 90  | 190 | 46.5  | 43 | 36 | 4 | 3   | 341  | 445  | 1800 | 2600 | 5.79 |
| <b>30319</b> | 95  | 200 | 49.5  | 45 | 38 | 4 | 3   | 368  | 483  | 1800 | 2600 | 6.8  |
| <b>30320</b> | 100 | 215 | 51.5  | 47 | 39 | 4 | 3   | 402  | 490  | 1700 | 2400 | 8.2  |
| <b>30321</b> | 105 | 225 | 53.5  | 49 | 41 | 4 | 3   | 432  | 568  | 1600 | 2200 | 9.91 |
| <b>30322</b> | 110 | 240 | 54.5  | 50 | 42 | 4 | 3   | 471  | 619  | 1600 | 2200 | 11.5 |
| <b>30324</b> | 120 | 260 | 59.5  | 55 | 46 | 4 | 3   | 562  | 754  | 1500 | 2000 | 13.7 |
| <b>30326</b> | 130 | 280 | 63.75 | 58 | 49 | 5 | 4   | 639  | 864  | 1300 | 1800 | 17.1 |
| <b>30328</b> | 140 | 300 | 67.75 | 62 | 53 | 5 | 4   | 721  | 985  | 1200 | 1700 | 21.7 |
| <b>30330</b> | 150 | 320 | 72    | 65 | 55 | 5 | 4   | 825  | 1060 | 1100 | 1600 | 28.5 |
| <b>30332</b> | 160 | 340 | 75    | 68 | 58 | 5 | 4   | 880  | 1400 | 1100 | 1600 | 29   |
| <b>30334</b> | 170 | 360 | 80    | 72 | 62 | 5 | 4   | 1020 | 1340 | 950  | 1400 | 35   |



# METRIC SERIES TAPER ROLLER BEARING



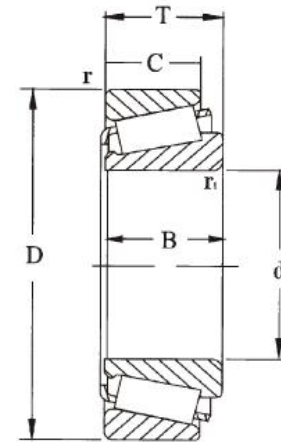
| Bearing No. | Boundary dimensions |     |       |    |    |      |      | Basic load rating(kN) |        | Limiting speed |      | Mass<br>Kg |
|-------------|---------------------|-----|-------|----|----|------|------|-----------------------|--------|----------------|------|------------|
|             | mm                  |     |       |    |    |      |      | Dynamic               | Static | rpm            |      |            |
|             | d                   | D   | T     | B  | C  | Rmin | rmin | Cr                    | Cor    | Grease         | Oil  |            |
| 31305       | 25                  | 62  | 18.25 | 17 | 13 | 1.5  | 1.5  | 40.7                  | 46     | 5600           | 7500 | 0.264      |
| 31306       | 30                  | 72  | 20.75 | 19 | 14 | 1.5  | 1.5  | 47.3                  | 50     | 5000           | 6700 | 0.393      |
| 31307       | 35                  | 80  | 22.75 | 21 | 15 | 2    | 1.5  | 61.6                  | 67     | 4500           | 6000 | 0.518      |
| 31308       | 40                  | 90  | 25.25 | 23 | 17 | 2    | 1.5  | 81                    | 96     | 4000           | 5300 | 0.727      |
| 31309       | 45                  | 100 | 27.25 | 25 | 18 | 2    | 1.5  | 91                    | 102    | 3400           | 4500 | 0.947      |
| 31310       | 50                  | 110 | 29.25 | 27 | 19 | 2.5  | 2    | 106                   | 120    | 3200           | 4300 | 1.22       |
| 31311       | 55                  | 120 | 31.5  | 29 | 21 | 2.5  | 2    | 130                   | 158    | 2800           | 3800 | 1.56       |
| 31312       | 60                  | 130 | 33.5  | 31 | 22 | 3    | 2.5  | 145                   | 176    | 2600           | 3600 | 1.91       |
| 31313       | 65                  | 140 | 36    | 33 | 23 | 3    | 2.5  | 165                   | 202    | 2200           | 3200 | 2.39       |
| 31314       | 70                  | 150 | 38    | 35 | 25 | 3    | 2.5  | 218                   | 274    | 2400           | 3400 | 2.95       |
| 31315       | 75                  | 160 | 40    | 37 | 26 | 3    | 2.5  | 209                   | 245    | 1900           | 2800 | 3.39       |
| 31316       | 80                  | 170 | 42.5  | 39 | 27 | 3    | 2.5  | 224                   | 265    | 1900           | 2800 | 4.05       |
| 31317       | 85                  | 180 | 44.5  | 41 | 28 | 4    | 3    | 242                   | 285    | 1800           | 2600 | 4.6        |
| 31318       | 90                  | 190 | 46.5  | 43 | 30 | 4    | 3    | 264                   | 315    | 1700           | 2400 | 5.9        |
| 31319       | 95                  | 200 | 49.5  | 45 | 32 | 4    | 3    | 292                   | 355    | 1700           | 2400 | 6.95       |
| 31320       | 100                 | 215 | 56.5  | 51 | 35 | 4    | 3    | 374                   | 465    | 1600           | 2200 | 8.6        |
| 31321       | 105                 | 225 | 58    | 53 | 36 | 4    | 3    | 402                   | 500    | 1500           | 2000 | 9.65       |
| 31322       | 110                 | 240 | 63    | 57 | 38 | 4    | 3    | 457                   | 585    | 1400           | 1900 | 12         |
| 31324       | 120                 | 260 | 68    | 62 | 42 | 4    | 3    | 539                   | 695    | 1200           | 1700 | 15.5       |
| 31326       | 130                 | 280 | 72    | 66 | 44 | 5    | 4    | 605                   | 780    | 1100           | 1600 | 18.5       |

## METRIC SERIES TAPER ROLLER BEARING

|              |     |     |    |    |    |   |   |     |      |      |      |      |
|--------------|-----|-----|----|----|----|---|---|-----|------|------|------|------|
| <b>31328</b> | 140 | 300 | 77 | 70 | 47 | 5 | 4 | 693 | 900  | 1000 | 1500 | 24.5 |
| <b>31330</b> | 150 | 320 | 82 | 75 | 50 | 5 | 4 | 781 | 1020 | 950  | 1400 | 29.5 |



# METRIC SERIES TAPER ROLLER BEARING



| Bearing No. | Boundary dimensions |     |    |    |      |      |      | Basic load rating(kN) |        | Limiting speed |       | Mass<br>Kg |
|-------------|---------------------|-----|----|----|------|------|------|-----------------------|--------|----------------|-------|------------|
|             | mm                  |     |    |    |      |      |      | Dynamic               | Static | rpm            |       |            |
|             | d                   | D   | T  | B  | C    | Rmin | rmin | Cr                    | Cor    | Grease         | Oil   |            |
| 32004       | 20                  | 42  | 15 | 15 | 12   | 0.6  | 0.6  | 27.3                  | 31.5   | 9700           | 13000 | 0.96       |
| 32005       | 25                  | 47  | 15 | 15 | 11.5 | 0.6  | 0.6  | 27                    | 32.5   | 8000           | 11000 | 0.115      |
| 32006       | 30                  | 55  | 17 | 17 | 13   | 1    | 1    | 35.8                  | 44     | 6700           | 9000  | 0.172      |
| 32007       | 35                  | 62  | 18 | 18 | 14   | 1    | 1    | 42.9                  | 54     | 6000           | 8000  | 0.227      |
| 32008       | 40                  | 68  | 19 | 19 | 14.5 | 1    | 1    | 52.8                  | 71     | 5300           | 7000  | 0.77       |
| 32009       | 45                  | 75  | 20 | 20 | 15.5 | 1    | 1    | 58                    | 80     | 4800           | 6300  | 0.329      |
| 32010       | 50                  | 80  | 20 | 20 | 15.5 | 1    | 1    | 60                    | 88     | 4500           | 6000  | 0.365      |
| 32011       | 55                  | 90  | 23 | 23 | 17.5 | 1.5  | 1.5  | 80                    | 116    | 4000           | 5300  | 0.55       |
| 32012       | 60                  | 95  | 23 | 23 | 17.5 | 1.5  | 1.5  | 82                    | 122    | 3800           | 5000  | 0.586      |
| 32013       | 65                  | 100 | 23 | 23 | 17.5 | 1.5  | 1.5  | 84                    | 127    | 3400           | 4500  | 0.627      |
| 32014       | 70                  | 110 | 25 | 25 | 19   | 1.5  | 1.5  | 101                   | 153    | 3200           | 4300  | 0.842      |
| 32015       | 75                  | 115 | 25 | 25 | 19   | 1.5  | 1.5  | 106                   | 163    | 3000           | 4000  | 0.887      |
| 32016       | 80                  | 125 | 29 | 29 | 22   | 1.5  | 1.5  | 138                   | 216    | 2600           | 3600  | 1.27       |
| 32017       | 85                  | 130 | 29 | 29 | 22   | 1.5  | 1.5  | 140                   | 224    | 2400           | 3400  | 1.33       |
| 32018       | 90                  | 140 | 32 | 32 | 24   | 2    | 1.5  | 168                   | 270    | 2200           | 3200  | 1.73       |
| 32019       | 95                  | 145 | 32 | 32 | 24   | 2    | 1.5  | 168                   | 270    | 2200           | 3200  | 1.8        |
| 32020       | 100                 | 150 | 32 | 32 | 24   | 2    | 1.5  | 172                   | 280    | 2000           | 3000  | 1.87       |
| 32021       | 105                 | 160 | 35 | 35 | 26   | 2.5  | 2    | 201                   | 335    | 1900           | 2800  | 2.38       |
| 32022       | 110                 | 170 | 38 | 38 | 29   | 2.5  | 2    | 233                   | 390    | 1800           | 2600  | 3.05       |
| 32024       | 120                 | 180 | 38 | 38 | 29   | 2.5  | 2    | 242                   | 415    | 1800           | 2600  | 3.2        |

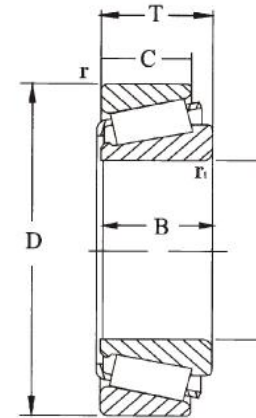


## METRIC SERIES TAPER ROLLER BEARING

|              |     |     |    |    |    |     |     |     |      |      |      |      |
|--------------|-----|-----|----|----|----|-----|-----|-----|------|------|------|------|
| <b>32026</b> | 130 | 200 | 45 | 45 | 34 | 2.5 | 2   | 314 | 540  | 1600 | 2200 | 4.86 |
| <b>32028</b> | 140 | 210 | 45 | 45 | 34 | 2.5 | 2   | 330 | 585  | 1600 | 2200 | 5.19 |
| <b>32030</b> | 150 | 225 | 48 | 48 | 36 | 3   | 2.5 | 369 | 655  | 1500 | 2000 | 6.33 |
| <b>32032</b> | 160 | 240 | 51 | 51 | 38 | 3   | 2.5 | 429 | 780  | 1300 | 1800 | 7.53 |
| <b>32034</b> | 170 | 260 | 57 | 57 | 43 | 3   | 2.5 | 512 | 915  | 1100 | 1600 | 10.6 |
| <b>32036</b> | 180 | 280 | 64 | 64 | 48 | 3   | 2.5 | 644 | 1160 | 1100 | 1600 | 14.5 |
| <b>32038</b> | 190 | 290 | 64 | 64 | 48 | 3   | 2.5 | 660 | 1200 | 1000 | 1500 | 15   |
| <b>32040</b> | 200 | 310 | 70 | 70 | 53 | 3   | 2.5 | 748 | 1370 | 950  | 1400 | 19.5 |
| <b>32044</b> | 220 | 340 | 76 | 76 | 57 | 4   | 3   | 897 | 1660 | 900  | 1300 | 25.5 |
| <b>32048</b> | 240 | 360 | 76 | 76 | 57 | 4   | 3   | 935 | 1800 | 850  | 1200 | 27.5 |



# METRIC SERIES TAPER ROLLER BEARING



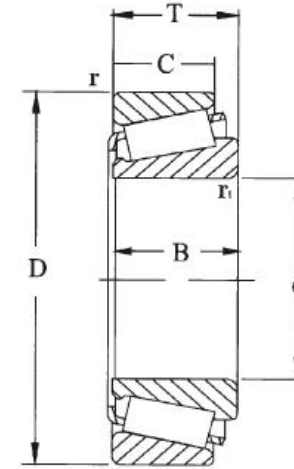
| Bearing No. | Boundary dimensions |     |       |    |    |      |      | Basic load rating(kN) |        | Limiting speed |       | Mass<br>Kg |
|-------------|---------------------|-----|-------|----|----|------|------|-----------------------|--------|----------------|-------|------------|
|             | mm                  |     |       |    |    |      |      | Dynamic               | Static | rpm            |       |            |
|             | d                   | D   | T     | B  | C  | Rmin | rmin | Cr                    | Cor    | Grease         | Oil   |            |
| 32204       | 20                  | 47  | 19.25 | 18 | 15 | 1    | 1    | 36.5                  | 39.5   | 8000           | 11000 | 0.161      |
| 32205       | 25                  | 52  | 19.25 | 18 | 16 | 1    | 1    | 42                    | 47     | 7500           | 10000 | 0.184      |
| 32206       | 30                  | 62  | 21.25 | 20 | 17 | 1    | 1    | 51.8                  | 63.9   | 6300           | 8500  | 0.29       |
| 32207       | 35                  | 72  | 24.25 | 23 | 19 | 1.5  | 1.5  | 70.6                  | 89.7   | 5300           | 7000  | 0.45       |
| 32208       | 40                  | 80  | 24.75 | 23 | 19 | 1.5  | 1.5  | 77                    | 97     | 4800           | 6300  | 0.535      |
| 32209       | 45                  | 85  | 24.75 | 23 | 19 | 1.5  | 1.5  | 80                    | 105    | 4500           | 6000  | 0.584      |
| 32210       | 50                  | 90  | 24.75 | 23 | 19 | 1.5  | 1.5  | 76                    | 97     | 4300           | 5600  | 0.646      |
| 32211       | 55                  | 100 | 26.76 | 25 | 21 | 2    | 1.5  | 108                   | 144    | 3800           | 5000  | 0.86       |
| 32212       | 60                  | 110 | 29.75 | 28 | 24 | 2    | 1.5  | 132                   | 181    | 3400           | 4500  | 1.16       |
| 32213       | 65                  | 120 | 32.75 | 31 | 27 | 2    | 1.5  | 160                   | 224    | 3000           | 4000  | 1.54       |
| 32214       | 70                  | 125 | 33.25 | 31 | 27 | 2    | 1.5  | 168                   | 238    | 2800           | 3800  | 1.63       |
| 32215       | 75                  | 130 | 33.25 | 31 | 27 | 2    | 1.5  | 169                   | 244    | 2600           | 3600  | 1.75       |
| 32216       | 80                  | 140 | 35.25 | 33 | 28 | 2.5  | 2    | 197                   | 280    | 2400           | 3400  | 2.13       |
| 32217       | 85                  | 150 | 38.5  | 36 | 30 | 2.5  | 2    | 226                   | 325    | 2200           | 3200  | 2.69       |
| 32218       | 90                  | 160 | 42.5  | 40 | 34 | 2.5  | 2    | 269                   | 396    | 2000           | 3000  | 3.43       |
| 32219       | 95                  | 170 | 45.5  | 43 | 37 | 3    | 2.5  | 301                   | 450    | 1900           | 2800  | 4.24       |
| 32220       | 100                 | 180 | 49    | 46 | 39 | 3    | 2.5  | 340                   | 513    | 1800           | 2600  | 3.72       |
| 32221       | 105                 | 190 | 53    | 50 | 43 | 3    | 2.5  | 380                   | 581    | 1800           | 2600  | 6.31       |
| 32222       | 110                 | 200 | 56    | 53 | 46 | 3.5  | 2    | 430                   | 668    | 1700           | 2400  | 7.43       |
| 32224       | 120                 | 215 | 61.5  | 58 | 50 | 3    | 2.5  | 475                   | 764    | 1600           | 2200  | 9.26       |
| 32226       | 130                 | 230 | 67.75 | 64 | 54 | 4    | 3    | 549                   | 895    | 1500           | 2000  | 11.5       |
| 32228       | 140                 | 250 | 71.75 | 68 | 58 | 4    | 3    | 640                   | 1060   | 1400           | 1900  | 14.4       |

## METRIC SERIES TAPER ROLLER BEARING

|              |     |     |     |     |    |   |   |      |      |      |      |      |
|--------------|-----|-----|-----|-----|----|---|---|------|------|------|------|------|
| <b>32230</b> | 150 | 270 | 77  | 73  | 60 | 4 | 3 | 718  | 1190 | 1200 | 1700 | 18.2 |
| <b>32232</b> | 160 | 290 | 84  | 80  | 67 | 4 | 3 | 852  | 1440 | 1000 | 1400 | 21.1 |
| <b>32234</b> | 170 | 310 | 91  | 86  | 71 | 5 | 4 | 1010 | 1630 | 1000 | 1500 | 28.5 |
| <b>32236</b> | 180 | 320 | 91  | 86  | 71 | 5 | 4 | 998  | 1720 | 950  | 1400 | 29.8 |
| <b>32238</b> | 190 | 340 | 97  | 92  | 75 | 5 | 4 | 1110 | 1920 | 900  | 1300 | 36   |
| <b>32240</b> | 200 | 360 | 104 | 98  | 82 | 5 | 4 | 1210 | 2000 | 900  | 1300 | 42.7 |
| <b>32244</b> | 220 | 400 | 115 | 108 | 90 | 5 | 4 | 1530 | 2560 | 800  | 1100 | 58.3 |



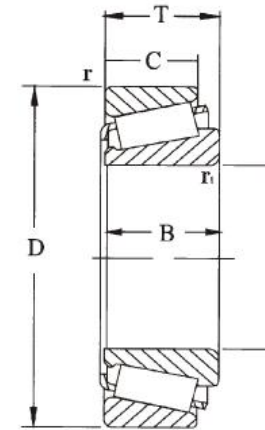
# METRIC SERIES TAPER ROLLER BEARING



| Bearing No. | Boundary dimensions |     |    |    |      |      |      | Basic load rating(kN) |        | Limiting speed |       | Mass<br>Kg |
|-------------|---------------------|-----|----|----|------|------|------|-----------------------|--------|----------------|-------|------------|
|             | mm                  |     |    |    |      |      |      | Dynamic               | Static | rpm            |       |            |
|             | d                   | D   | T  | B  | C    | Rmin | rmin | Cr                    | Cor    | Grease         | Oil   |            |
| 33005       | 25                  | 47  | 17 | 17 | 14   | 0.6  | 0.6  | 27.5                  | 37     | 8000           | 10700 | 0.131      |
| 33006       | 30                  | 55  | 20 | 20 | 16   | 1    | 1    | 39.5                  | 59.5   | 6700           | 9100  | 0.208      |
| 33007       | 35                  | 62  | 21 | 21 | 17   | 1    | 1    | 51.3                  | 68     | 6200           | 8200  | 0.267      |
| 33008       | 40                  | 68  | 22 | 22 | 18   | 1    | 1    | 60.4                  | 84.6   | 5500           | 7400  | 0.322      |
| 33009       | 45                  | 75  | 24 | 24 | 19   | 1    | 1    | 69.6                  | 101    | 5000           | 6700  | 0.414      |
| 33010       | 50                  | 80  | 24 | 24 | 19   | 1    | 1    | 73                    | 110    | 4600           | 6100  | 0.452      |
| 33011       | 55                  | 90  | 27 | 27 | 21   | 1.5  | 1.5  | 96.5                  | 145    | 4100           | 5400  | 0.672      |
| 33012       | 60                  | 95  | 27 | 27 | 21   | 1.5  | 1.5  | 101                   | 162    | 3900           | 5200  | 0.713      |
| 33013       | 65                  | 100 | 27 | 27 | 21   | 1.5  | 1.5  | 103                   | 169    | 3600           | 4800  | 0.758      |
| 33014       | 70                  | 110 | 31 | 31 | 25.5 | 1.5  | 1.5  | 134                   | 208    | 3300           | 4400  | 1.11       |
| 33015       | 75                  | 115 | 31 | 31 | 25.5 | 1.5  | 1.5  | 141                   | 225    | 3200           | 4200  | 1.18       |
| 33019       | 95                  | 145 | 39 | 39 | 32.5 | 2    | 1.5  | 226                   | 382    | 2500           | 3300  | 2.3        |
| 33022       | 110                 | 170 | 47 | 47 | 37   | 2.5  | 2    | 287                   | 502    | 2100           | 2800  | 3.775      |

*sdtr Bearing*

# METRIC SERIES TAPER ROLLER BEARING



| Bearing No. | Boundary dimensions |     |    |    |      |      |      | Basic load rating(kN) |        | Limiting speed |      | Mass<br>Kg |
|-------------|---------------------|-----|----|----|------|------|------|-----------------------|--------|----------------|------|------------|
|             | mm                  |     |    |    |      |      |      | Dynamic               | Static | rpm            |      |            |
|             | d                   | D   | T  | B  | C    | Rmin | rmin | Cr                    | Cor    | Grease         | Oil  |            |
| 33205       | 25                  | 52  | 22 | 22 | 18   | 1    | 1    | 47.3                  | 56     | 6700           | 9000 | 0.23       |
| 33206       | 30                  | 62  | 25 | 25 | 19.5 | 1    | 1    | 64.4                  | 76.5   | 5600           | 7500 | 0.37       |
| 33207       | 35                  | 72  | 28 | 28 | 22   | 1.5  | 1.5  | 84.2                  | 106    | 4800           | 6300 | 0.522      |
| 33208       | 40                  | 80  | 32 | 32 | 25   | 1.5  | 1.5  | 105                   | 132    | 4300           | 5600 | 0.535      |
| 33209       | 45                  | 85  | 32 | 32 | 24.5 | 1.5  | 1.5  | 108                   | 143    | 4000           | 5300 | 0.82       |
| 33210       | 50                  | 90  | 32 | 32 | 24.5 | 1.5  | 1.5  | 114                   | 160    | 3800           | 5000 | 0.9        |
| 33211       | 55                  | 100 | 35 | 35 | 27   | 2    | 1.5  | 138                   | 190    | 3400           | 4500 | 1.2        |
| 33212       | 60                  | 110 | 38 | 38 | 29   | 2    | 1.5  | 168                   | 250    | 3000           | 4000 | 1.6        |
| 33213       | 65                  | 120 | 41 | 41 | 32   | 2    | 1.5  | 194                   | 270    | 2800           | 3800 | 2.05       |
| 33214       | 70                  | 125 | 41 | 41 | 32   | 2    | 1.5  | 201                   | 285    | 2600           | 3600 | 2.1        |
| 33215       | 75                  | 130 | 41 | 41 | 31   | 2    | 1.5  | 209                   | 300    | 2400           | 3400 | 2.25       |
| 33216       | 80                  | 140 | 46 | 46 | 35   | 2.5  | 2    | 251                   | 375    | 2200           | 3200 | 2.9        |
| 33217       | 85                  | 150 | 49 | 49 | 37   | 2.5  | 2    | 286                   | 430    | 2000           | 3000 | 3.7        |
| 33220       | 100                 | 180 | 63 | 63 | 48   | 3    | 2.5  | 429                   | 655    | 1700           | 2400 | 6.78       |

