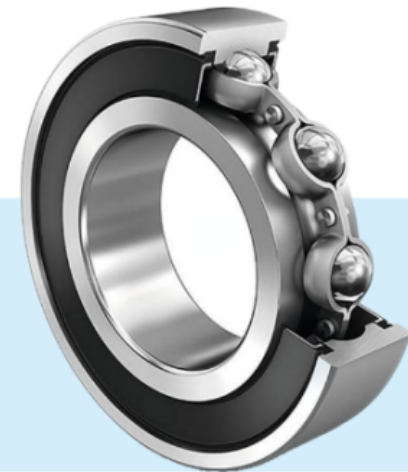


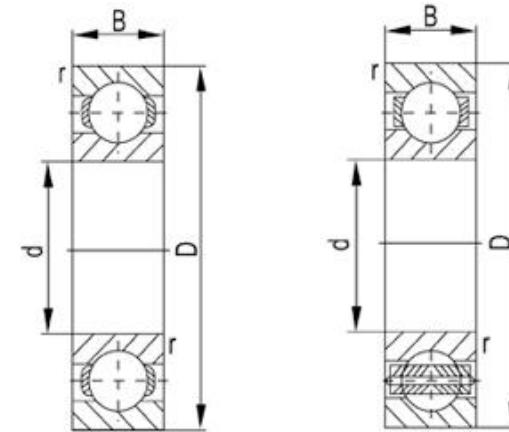


DEEP GROOVE BEARING



DEEP GROOVE BEARING

# METRIC SERIES DEEP GROOVE BALL BEARING



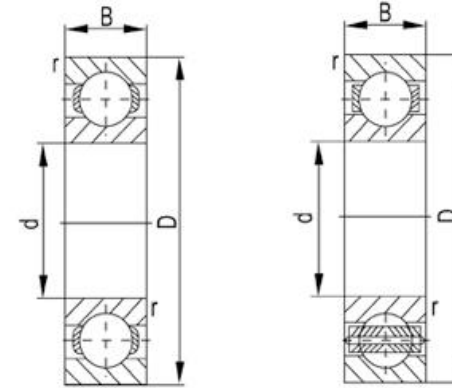
Bearing No.	Boundary dimensions				Basic load ratings (kN)		Limiting speed		Mass
	mm				Dynamic	Static	rpm		Kg
	d	D	B	rs min	Cr	Cor	Grease	Oil	
6000	10	26	8	0.3	4.58	1.98	29000	34000	0.019
6001	12	28	8	0.3	5.1	2.38	26000	30000	0.022
6002	15	32	9	0.3	5.58	2.85	22000	26000	0.031
6003	17	35	10	0.3	6	3.25	20000	24000	0.04
6004	20	42	12	0.6	9.38	5.02	18000	21000	0.068
6005	25	47	12	0.6	10	5.85	15000	18000	0.078
6006	30	55	13	1	13.2	8.3	13000	15000	0.11
6007	35	62	14	1	16.2	10.5	12000	14000	0.148
6008	40	68	15	1	17.2	11.8	10000	12000	0.185
6009	45	75	16	1	21	14.8	9200	11000	0.23
6010	50	80	16	1	22	16.2	8400	9800	0.258
6011	55	90	18	1.1	30.2	21.8	7700	9000	0.362
6012	60	95	18	1.1	31.5	24.2	7000	8300	0.385
6013	65	100	18	1.1	30.5	25.2	6500	7700	0.435
6014	70	110	20	1.1	38.1	30.9	6100	7100	0.602
6015	75	115	20	1.1	39.6	33.5	5700	6700	0.638
6016	80	125	22	1.1	47.6	39.8	5300	6200	0.85

## METRIC SERIES DEEP GROOVE BALL BEARING

<b>6017</b>	85	130	22	1.1	49.5	43.1	5000	5900	0.89
<b>6018</b>	90	140	24	1.5	58.2	49.7	4700	5600	1.16
<b>6019</b>	95	145	24	1.5	60.4	53.9	4500	5300	1.21
<b>6020</b>	100	150	24	1.5	60.2	54.2	4200	5000	1.25
<b>6021</b>	105	160	26	2	72.3	65.8	4000	4700	1.59
<b>6022</b>	110	170	28	2	82	73	3800	4500	1.96
<b>6024</b>	120	180	28	2	85	79.5	3500	4100	2.07
<b>6026</b>	130	200	33	2	106	101	3200	3800	3.16
<b>6028</b>	140	210	33	2	110	109	3000	3500	3.35
<b>6030</b>	150	225	35	2.1	126	126	2800	3200	4.08
<b>6032</b>	160	240	38	2.1	143	144	2600	3000	5.05
<b>6034</b>	170	260	42	2.1	168	172	2400	2800	6.76
<b>6036</b>	180	280	46	2.1	189	199	2300	2700	8.8
<b>6038</b>	190	290	46	2.1	197	215	2100	2500	9.18
<b>6040</b>	200	310	51	2.1	218	243	2000	2400	11.9



# METRIC SERIES DEEP GROOVE BALL BEARING



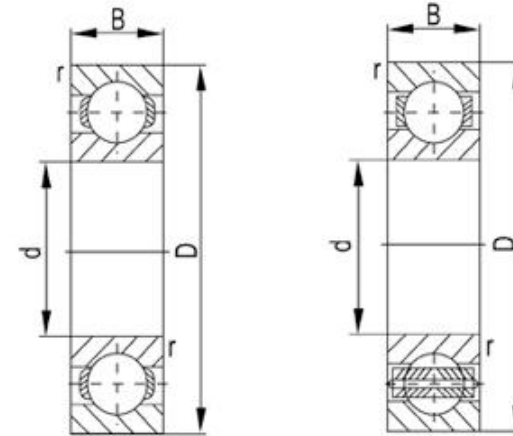
Bearing No.	Boundary dimensions				Basic load ratings (kN)		Limiting speed		Mass Kg
	mm				Dynamic	Static	rpm		
	d	D	B	rs min	Cr	Cor	Grease	Oil	
6200	10	30	9	0.6	5.1	2.38	25000	30000	0.032
6201	12	32	10	0.6	6.82	3.05	22000	26000	0.035
6202	15	35	11	0.6	7.65	3.72	19000	23000	0.045
6203	17	40	12	0.6	9.58	4.78	18000	21000	0.064
6204	20	47	14	1	12.8	6.65	16000	18000	0.103
6205	25	52	15	1	14	7.88	13000	15000	0.127
6206	30	62	16	1	19.5	11.5	11000	13000	0.2
6207	35	72	17	1.1	25.5	15.2	9800	11000	0.288
6208	40	80	18	1.1	29.5	18	8700	10000	0.368
6209	45	85	19	1.1	31.5	20.5	7800	9200	0.416
6210	50	90	20	1.1	35	23.2	7100	8300	0.463
6211	55	100	21	1.5	43.4	29.4	6400	7600	0.607
6212	60	110	22	1.5	52.4	36.2	6000	7000	0.783
6213	65	120	23	1.5	57.2	40.1	5500	6500	0.99
6214	70	125	24	1.5	62.2	44.1	5100	6000	1.07
6215	75	130	25	1.5	67.4	48.3	4800	5600	1.18
6216	80	140	26	2	72.7	53	4500	5300	1.4
6217	85	150	28	2	84	61.9	4200	5000	1.79
6218	90	160	30	2	96.1	71.5	4000	4700	2.15
6219	95	170	32	2.1	109	81.9	3700	4400	2.62
6220	100	180	34	2.1	122	93.1	3500	4200	3.14

# METRIC SERIES DEEP GROOVE BALL BEARING

6221	105	190	36	2.1	133	105	3400	4000	3.7
6222	110	200	38	2.1	144	117	3200	3800	4.36
6224	120	215	40	2.1	155	131	2900	3400	5.15
6226	130	230	40	3	167	146	2700	3100	5.82
6228	140	250	42	3	166	150	2500	2900	7.57
6230	150	270	45	3	176	168	2300	2700	9.41
6232	160	290	48	3	185	186	2100	2500	11.7
6234	170	310	52	4	212	223	2000	2400	14.5
6236	180	320	52	4	227	241	1900	2200	15.1
6238	190	340	55	4	255	281	1800	2100	18.2
6240	200	360	58	4	269	310	1700	2000	21.6
6244	220	400	65	4	297	365	1500	1800	30.2



# METRIC SERIES DEEP GROOVE BALL BEARING



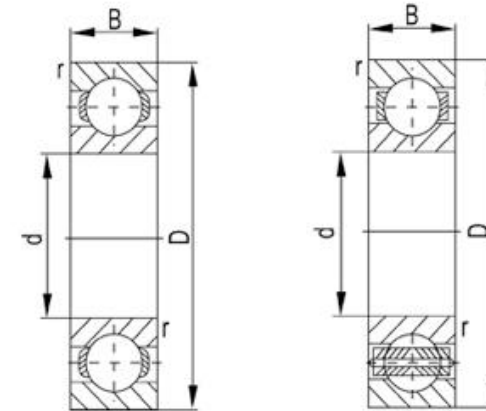
Bearing No.	Boundary dimensions				Basic load ratings (kN)		Limiting speed		Mass
	mm				Dynamic	Static	rpm		Kg
	d	D	B	rs min	Cr	Cor	Grease	Oil	
6300	10	35	11	0.6	7.65	3.48	23000	27000	0.053
6301	12	37	12	1	9.72	5.08	20000	24000	0.061
6302	15	42	13	1	11.5	5.42	17000	21000	0.08
6303	17	47	14	1	13.5	6.58	16000	19000	0.109
6304	20	52	15	1.1	15.8	7.88	14000	17000	0.142
6305	25	62	17	1.1	22.2	11.5	12000	14000	0.219
6306	30	72	19	1.1	27	15.2	10000	12000	0.349
6307	35	80	21	1.5	33.2	19.2	8800	10000	0.455
6308	40	90	23	1.5	40.8	24	7800	9200	0.639
6309	45	100	25	1.5	52.8	31.8	7000	8200	0.873
6310	50	110	27	2	62	38.3	6400	7500	1.07
6311	55	120	29	2	71.6	45	5800	6800	1.37
6312	60	130	31	2.1	81.9	52.2	5400	6300	1.7
6313	65	140	33	2.1	92.7	59.9	4900	5800	2.08
6314	70	150	35	2.1	104	68.2	4600	5400	2.52
6315	75	160	37	2.1	113	77.2	4300	5000	3.02
6316	80	170	39	2.1	123	86.7	4000	4700	3.59

## METRIC SERIES DEEP GROOVE BALL BEARING

<b>6317</b>	85	180	41	3	133	96.8	3800	4500	4.23
<b>6318</b>	90	190	43	3	143	107	3600	4200	4.91
<b>6319</b>	95	200	45	3	153	119	3300	3900	5.67
<b>6320</b>	100	215	47	3	173	141	3200	3700	7
<b>6321</b>	105	225	49	3	184	153	3000	3600	8.05
<b>6322</b>	110	240	50	3	205	180	2900	3400	9.54
<b>6324</b>	120	260	55	3	207	185	2600	3100	12.4
<b>6326</b>	130	280	58	4	229	214	2400	2800	15.3
<b>6328</b>	140	300	62	4	253	246	2200	2600	18.5
<b>6330</b>	150	320	65	4	274	284	2100	2400	22
<b>6332</b>	160	340	68	4	278	286	1900	2300	26
<b>6334</b>	170	360	72	4	325	355	1800	2100	30.7
<b>6336</b>	180	380	75	4	355	405	1700	2000	35.6
<b>6338</b>	190	400	78	5	355	415	1600	1900	41
<b>6340</b>	200	420	80	5	410	500	1500	1800	46.3
<b>6344</b>	220	460	88	5	410	520	1400	1600	60.8



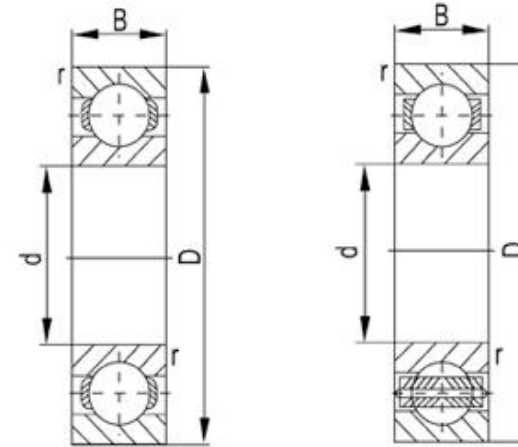
# METRIC SERIES DEEP GROOVE BALL BEARING



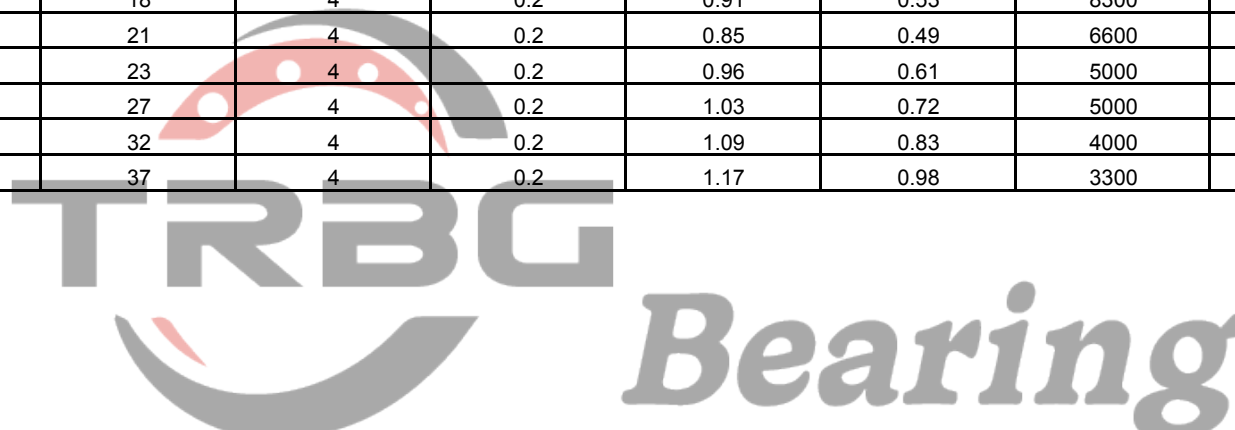
Bearing No.	Boundary dimensions				Basic load ratings (kN)		Mass
	mm				Dynamic	Static	Kg
	d	D	B	rs min	Cr	Cor	
6403	17	62	17	1	22.5	10.8	0.268
6404	20	72	19	1	31	15.2	0.4
6405	25	80	21	1.5	38.2	19.2	0.529
6406	30	90	23	1.5	56.8	24.5	0.71
6407	35	100	25	1.5	56.8	29.5	0.926
6408	40	110	27	2	63.7	36.6	1.23
6409	45	120	29	2	77.2	45.1	1.53
6410	50	130	31	2.1	83	49.5	1.88
6411	55	140	33	2.1	100	62.3	2.29
6412	60	150	35	2.1	110	70.8	2.77
6413	65	160	37	2.1	118	79.2	3.3
6414	70	180	42	3	144	104	4.83
6415	75	190	45	3	154	115	5.87
6416	80	200	48	3	164	125	6.84
6417	85	210	52	4	173	136	8.07
6418	90	225	54	4	184	149	9.78



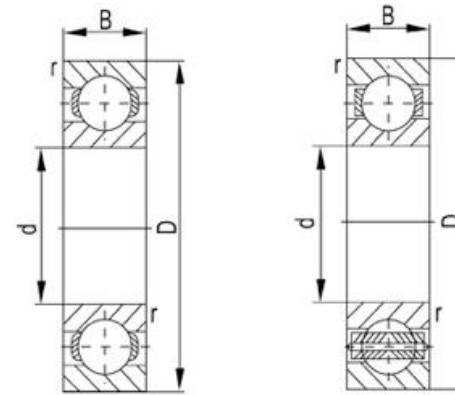
# METRIC SERIES DEEP GROOVE BALL BEARING



Bearing No.	Boundary dimensions				Basic load ratings (kN)		Limiting speed		Mass
	mm				Dynamic	Static	rpm		Kg
	d	D	B	rs min	Cr	Cor	Grease	Oil	
6700	10	15	3	0.1	0.8	0.39	36000	42000	0.0015
6701	12	18	4	0.2	0.91	0.53	8300	9500	0.002
6702	15	21	4	0.2	0.85	0.49	6600	7600	0.0025
6703	17	23	4	0.2	0.96	0.61	5000	6700	0.0025
6704	20	27	4	0.2	1.03	0.72	5000	5700	0.0045
6705	25	32	4	0.2	1.09	0.83	4000	4600	0.005
6706	30	37	4	0.2	1.17	0.98	3300	3800	0.006



# METRIC SERIES DEEP GROOVE BALL BEARING



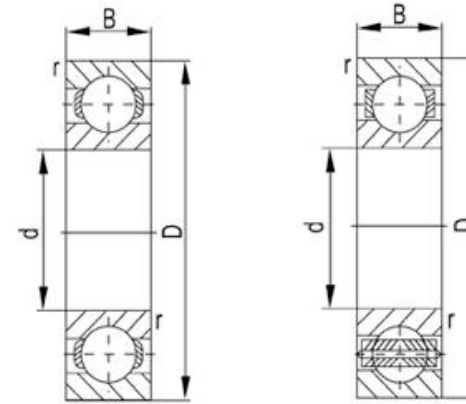
Bearing No.	Boundary dimensions				Basic load ratings (kN)		Limiting speed		Mass
	mm				Dynamic	Static	rpm		Kg
	d	D	B	rs min	Cr	Cor	Grease	Oil	
6800	10	19	5	0.3	1.83	0.925	32000	38000	0.005
6801	12	21	5	0.3	1.92	1.04	29000	35000	0.006
6802	15	24	5	0.3	2.08	1.26	26000	31000	0.007
6803	17	26	5	0.3	2.81	1.72	24000	28000	0.008
6804	20	32	7	0.3	4	2.47	21000	25000	0.019
6805	25	37	7	0.3	4.3	2.95	18000	21000	0.022
6806	30	42	7	0.3	4.7	3.65	15000	18000	0.026
6807	35	47	7	0.3	4.9	4.05	13000	16000	0.029
6808	40	52	7	0.3	4.95	4.2	12000	14000	0.033
6809	45	58	7	0.3	6.2	5.4	11000	12000	0.04
6810	50	65	7	0.3	6.6	6.1	9600	11000	0.052
6811	55	72	9	0.3	8.8	8.1	8700	10000	0.083
6812	60	78	10	0.3	11.5	10.6	8000	9400	0.104
6813	65	85	10	0.6	11.9	11.5	7400	8700	0.126
6814	70	90	10	0.6	12.1	11.9	6900	8100	0.134
6815	75	95	10	0.6	12.5	12.9	6400	7600	0.142
6816	80	100	10	0.6	12.7	13.3	6000	7100	0.15
6817	85	110	13	1	18.7	19	5700	6700	0.266
6818	90	115	13	1	19	19.7	5400	6300	0.279
6819	95	120	13	1	19.3	19.7	5000	5900	0.705
6820	100	125	13	1	19.6	21.2	4800	5600	0.309

## METRIC SERIES DEEP GROOVE BALL BEARING

<b>6821</b>	105	130	13	1	19.8	23.9	4600	5400	0.324
<b>6822</b>	110	140	16	1	28.1	30.7	4300	5100	0.606
<b>6824</b>	120	150	16	1	29	33	4000	4700	0.655
<b>6826</b>	130	165	18	1.1	36.9	41.2	3700	4300	0.939
<b>6828</b>	140	175	18	1.1	38.2	44.4	3400	4000	1
<b>6830</b>	150	190	20	1.1	47.8	54.9	3100	3700	1.4
<b>6832</b>	160	200	20	1.1	48.5	57	2900	3400	1.23
<b>6834</b>	170	215	22	1.1	60	70.5	2700	3200	1.63
<b>6836</b>	180	225	22	1.1	60.5	73	2600	3000	2.03
<b>6838</b>	190	240	24	1.5	73	88	2400	2900	2.62
<b>6840</b>	200	250	24	1.5	74	91.5	2300	2700	2.73



# METRIC SERIES DEEP GROOVE BALL BEARING



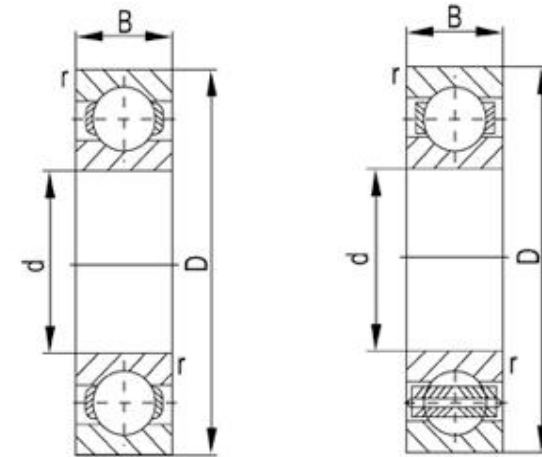
Bearing No.	Boundary dimensions				Basic load ratings (kN)		Limiting speed		Mass
	mm				Dynamic	Static	rpm		Kg
	d	D	B	rs min	Cr	Cor	Grease	Oil	
6900	10	22	6	0.3	2.7	1.25	30000	36000	0.01
6901	12	24	6	0.3	2.9	1.45	27000	32000	0.011
6902	15	28	7	0.3	4.3	2.25	24000	28000	0.017
6903	17	30	7	0.3	4.6	2.55	22000	26000	0.018
6904	20	37	9	0.3	6.35	3.7	19000	23000	0.036
6905	25	42	9	0.3	7	4.55	16000	19000	0.041
6906	30	47	9	0.3	7.25	5	14000	17000	0.045
6907	35	55	10	0.6	10.9	7.75	12000	15000	0.073
6908	40	62	12	0.6	13.7	9.95	11000	13000	0.112
6909	45	68	12	0.6	14.1	10.9	9800	12000	0.132
6910	50	72	12	0.6	14.5	11.7	8900	11000	0.133
6911	55	80	13	1	16.6	14.1	8200	9600	0.185
6912	60	85	13	1	20.2	17.3	7600	8900	0.193
6913	65	90	13	1	17.4	16.1	7000	8200	0.211
6914	70	100	16	1	23.7	21.2	6500	7700	0.342
6915	75	105	16	1	24.4	22.6	6100	7200	0.363
6916	80	110	16	1	25	24	5700	6700	0.382
6917	85	120	18	1.1	31.9	29.6	5400	6300	0.535
6918	90	125	18	1.1	32.8	31.6	5100	6000	0.565
6919	95	130	18	1.1	33.7	33.5	4800	5700	0.579

## METRIC SERIES DEEP GROOVE BALL BEARING

<b>6920</b>	100	140	20	1.1	45	41.9	4500	5300	0.785
<b>6921</b>	105	145	20	1.1	46.5	44.8	4300	5100	0.816
<b>6922</b>	110	150	20	1.1	47.9	47.8	4100	4800	0.849
<b>6924</b>	120	165	22	1.1	57.2	56.9	3800	4400	1.15
<b>6926</b>	130	180	24	1.5	69.6	70	3500	4100	1.52
<b>6928</b>	140	190	24	1.5	71.3	74.8	3200	3800	1.62
<b>6930</b>	150	210	28	2	93.4	94.3	3000	3500	2.47
<b>6932</b>	160	220	28	2	87	96	2800	3300	2.61
<b>6934</b>	170	230	28	2	86	95.5	2600	3100	2.74
<b>6936</b>	180	250	33	2	110	119	2400	2900	4.76
<b>6938</b>	190	260	33	2	113	127	2300	2700	4.98
<b>6940</b>	200	280	38	2.1	157	168	2200	2600	7.1



# METRIC SERIES DEEP GROOVE BALL BEARING



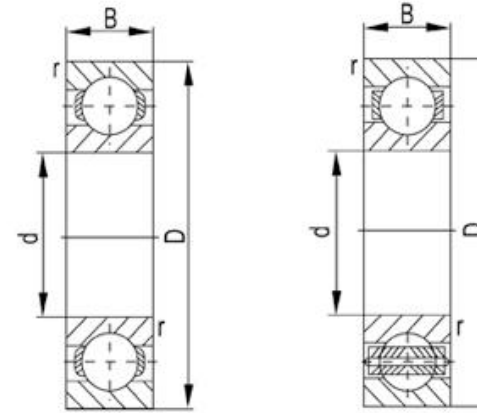
Bearing No.	Boundary dimensions				Basic load ratings (kN)		Mass
	mm				Dynamic	Static	Kg
	d	D	B	rs min	Cr	Cor	
1602	6.35	17.462	6.35	0.3	1.97	0.73	0.0064
1603	7.938	22.225	7.144	0.3	3.29	1.36	0.0095
1604	9.525	22.225	7.144	0.4	3.33	1.41	0.0086
1605	7.938	23.019	7.938	0.3	3.33	1.41	0.0168
1606	9.525	23.019	7.938	0.4	3.33	1.41	0.0218
1607	11.112	23.019	7.938	0.4	2.69	1.27	0.0222
1614	9.525	28.575	9.525	0.6	3.92	2.25	0.035
1615	11.112	28.575	9.525	0.6	3.92	2.25	0.034
1616	12.7	28.575	9.525	0.6	3.92	2.25	0.03
1620	11.112	34.925	11.112	0.6	5.9	3.5	0.05
1621	12.7	34.925	11.112	0.6	5.9	3.5	0.048
1622	14.288	34.925	11.112	0.6	5.9	3.5	0.04
1623	15.875	34.925	11.112	0.6	5.9	3.5	0.048
1628	15.875	41.275	12.7	0.6	7.25	3.5	0.072
1630	19.05	41.275	12.7	0.6	7.25	4.45	0.065

## METRIC SERIES DEEP GROOVE BALL BEARING

<b>1633</b>	15.875	44.45	12.7	0.6	7.25	4.45	0.092
<b>1635</b>	19.05	44.45	12.7	0.6	7.25	4.45	0.085
<b>1638</b>	19.05	50.8	14.288	0.8	10.8	4.45	0.12
<b>1640</b>	22.225	50.8	14.288	0.8	10.8	6.95	0.112
<b>1641</b>	25.4	50.8	14.288	0.8	10.8	6.95	0.1
<b>1652</b>	28.575	63.5	15.875	0.8	12.8	6.95	0.21
<b>1654</b>	31.75	63.5	15.875	0.8	12.8	8.4	0.19
<b>1657</b>	31.8	65.1	17.5	0.8	16.5	10.6	0.215
<b>1658</b>	33.3	65.1	17.5	0.8	16.5	10.6	0.2



# METRIC SERIES DEEP GROOVE BALL BEARING



Bearing No.	Boundary dimensions				Basic load ratings (kN)		Limiting speed		Mass
	mm				Dynamic	Static	rpm		Kg
	d	D	B	rs min	Cr	Cor	Grease	Oil	
16001	12	28	7	0.3	5.1	2.39	26000	30000	0.019
16002	15	32	8	0.3	5.6	2.83	22000	26000	0.025
16003	17	35	8	0.3	6.8	3.35	20000	24000	0.032
16004	20	42	8	0.3	7.9	4.5	18000	21000	0.051
16005	25	47	8	0.3	8.35	5.1	15000	18000	0.06
16006	30	55	9	0.3	11.2	7.35	13000	15000	0.091
16007	35	62	9	0.3	11.7	8.2	12000	14000	0.11
16008	40	68	9	0.3	12.6	9.65	10000	12000	0.125
16009	45	75	10	0.6	12.9	10.5	9200	11000	0.171
16010	50	80	10	0.6	13.2	11.3	8400	9800	0.18
16011	55	90	11	0.6	18.6	15.3	7700	9000	0.258
16012	60	95	11	0.6	20	17.5	7000	8300	0.283
16013	65	100	11	0.6	20.5	18.7	6500	7700	0.307
16014	70	110	13	0.6	24.4	22.6	6100	7100	0.441
16015	75	115	13	0.6	25	24	5700	6700	0.464
16016	80	125	14	0.6	25.4	25.1	5300	6200	0.597
16017	85	130	14	0.6	25.9	26.2	5000	5900	0.626
16018	90	140	16	1	33.5	33.5	4700	5600	0.848
16019	95	145	16	1	34.5	35	4500	5300	0.885

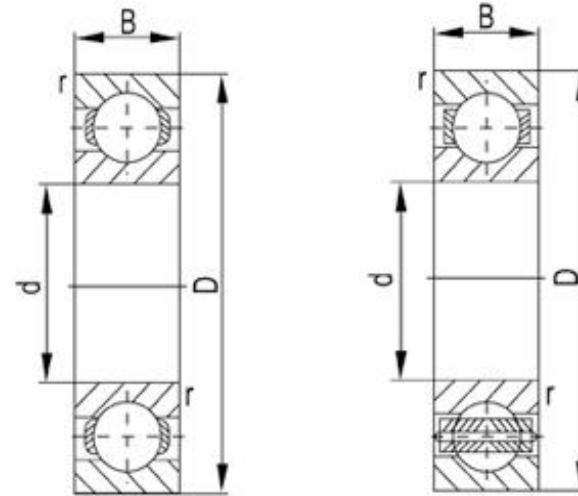


## METRIC SERIES DEEP GROOVE BALL BEARING

<b>16020</b>	100	150	16	1	35	36.5	4200	5000	0.91
<b>16021</b>	105	160	18	1	52	50.5	4000	4700	1.2
<b>16022</b>	110	170	19	1	57.5	56.5	3800	4500	1.46
<b>16024</b>	120	180	19	1	63	63.5	3500	4100	1.56
<b>16026</b>	130	200	22	1.1	80	79.5	3200	3800	2.31
<b>16028</b>	140	210	22	1.1	82	85	3000	3500	2.45
<b>16030</b>	150	225	24	1.1	96.5	101	2800	3200	3.07
<b>16032</b>	160	240	25	1.5	99	108	2600	3000	3.64
<b>16034</b>	170	260	28	1.5	119	128	2400	2800	4.93
<b>16036</b>	180	280	31	2	117	134	2300	2700	6.49
<b>16038</b>	190	290	31	2	134	156	2100	2500	6.77
<b>16040</b>	200	310	34	2	142	160	2000	2400	8.68

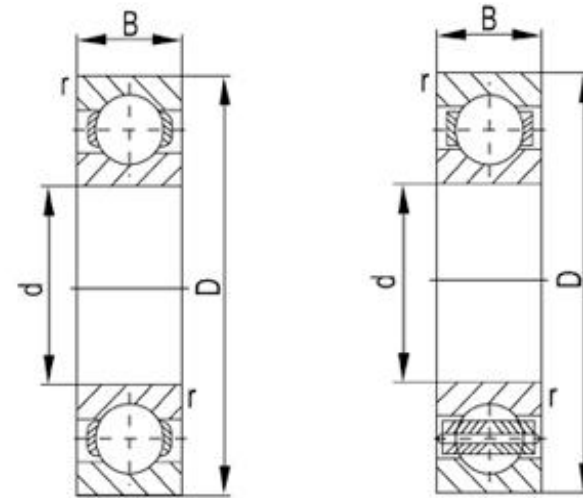


# METRIC SERIES DEEP GROOVE BALL BEARING



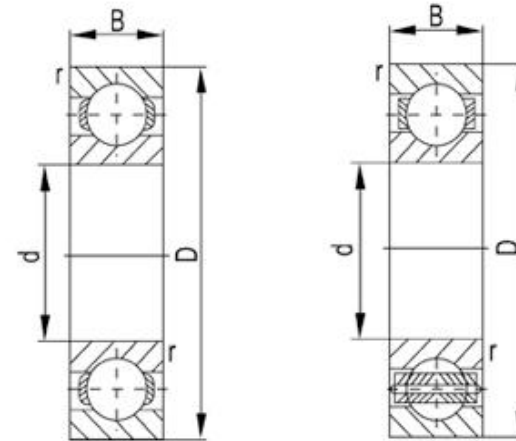
Bearing No.	Boundary dimensions				Basic load ratings (kN)		Mass Kg
	mm				Dynamic	Static	
	d	D	B	rs min	Cr	Cor	
62201	12	32	14	1	6.82	3.06	0.053
62202	15	35	14	1	7.64	3.72	0.065
62203	17	40	16	1	9.57	4.79	0.096
62204	20	47	18	1.5	12.84	6.65	0.145
62205	25	52	18	1.5	14.02	7.88	0.172
62206	30	62	20	1.5	19.46	11.31	0.275
62207	35	72	23	2	25.67	15.3	0.41
62208	40	80	23	2	29.52	18.14	0.616
62209	45	85	23	2	31.67	20.68	0.625
62210	50	90	23	2	35.07	23.18	0.726

# METRIC SERIES DEEP GROOVE BALL BEARING

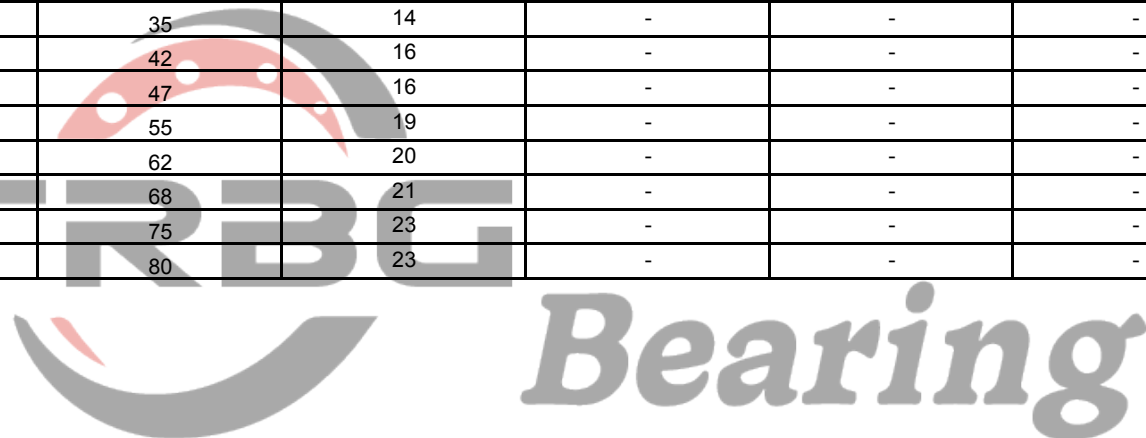


Bearing No.	Boundary dimensions				Basic load ratings (kN)		Mass
	mm				Dynamic	Static	Kg
	d	D	B	rs min	Cr	Cor	
62301	12	37	17	-	-	-	-
62302	15	42	17	-	-	-	-
62303	17	47	19	-	-	-	-
62304	20	52	21	-	-	-	-
62305	25	62	24	-	-	-	-
62306	30	72	27	-	-	-	-
62307	35	80	31	-	-	-	-
62308	40	90	33	-	-	-	-
62309	45	100	36	-	-	-	-
62310	50	110	40	-	-	-	-

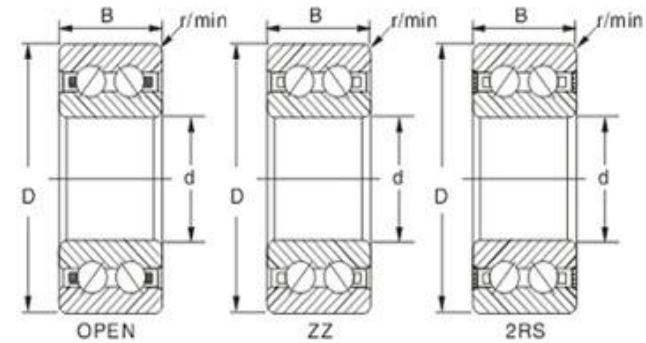
# METRIC SERIES DEEP GROOVE BALL BEARING



Bearing No.	Boundary dimensions				Basic load ratings (kN)		Mass
	mm				Dynamic	Static	Kg
	d	D	B	rs min	Cr	Cor	
63001	12	28	12	-	-	-	-
63002	15	32	13	-	-	-	-
63003	17	35	14	-	-	-	-
63004	20	42	16	-	-	-	-
63005	25	47	16	-	-	-	-
63006	30	55	19	-	-	-	-
63007	35	62	20	-	-	-	-
63008	40	68	21	-	-	-	-
63009	45	75	23	-	-	-	-
63010	50	80	23	-	-	-	-



# DOUBLE ROW DEEP GROOVE BALL BEARING



Designation	Principal dimensions			Basic load			Speed ratings		Weight	Dimensions				Abutment and fillet			Value	
	(mm)			KN			rpm			mm				mm				
	d	D	B	dyc	stc	Pu	Speed Ratings	Limiting Speed	kg	d	d1	D1	r <sub>1,2</sub>	d <sub>a</sub>	Da	r <sub>a</sub>	k <sub>r</sub>	f <sub>o</sub>
				Cr	Cor						~	~	Min	Min	Max	Max		
-	mm			kN			r/min		kg	mm				mm			-	
4200	10	30	14	9,23	5,2	0,224	40000	22000	0,049	10	16,7	23,3	0,6	14	26	0,6	0,05	12
4201	12	32	14	10,6	6,2	0,26	36000	20000	0,053	12	18,3	25,7	0,6	16	28	0,6	0,05	12
4301	12	37	17	13	7,8	0,325	34000	18000	0,092	12	20,5	28,5	1	17	32	1	0,06	12
4202	15	35	14	11,9	7,5	0,32	32000	17000	0,059	15	21,5	29	0,6	19	31	0,6	0,05	13
4302	15	42	17	14,8	9,5	0,405	28000	15000	0,120	15	24,5	32,5	1	20	37	1	0,06	13
4203	17	40	16	14,8	9,5	0,405	28000	15000	0,090	17	24,3	32,7	0,6	21	36	0,6	0,05	13
4303	17	47	19	19,5	13,2	0,56	24000	13000	0,16	17	28,7	38,3	1	22	42	1	0,06	13
4204	20	47	18	17,8	12,5	0,53	24000	13000	0,14	20	29,7	38,3	1	25	42	1	0,05	14
4304	20	52	21	23,4	16	0,68	22000	12000	0,21	20	31,8	42,2	1,1	26,5	45,5	1	0,06	13
4205	25	52	18	19	14,6	0,62	20000	11000	0,16	25	34,2	42,8	1	30	47	1	0,05	14
4305	25	62	24	31,9	22,4	0,95	18000	10000	0,34	25	37,3	49,7	1,1	31,5	55,5	1	0,06	13
4206	30	62	20	26	20,8	0,88	17000	9500	0,26	30	40,9	51,1	1	35	57	1	0,05	14
4306	30	72	27	41	30	1,27	16000	8500	0,50	30	43,9	58,1	1,1	36,5	65,5	1	0,06	13
4207	35	72	23	35,1	28,5	1,2	15000	8000	0,40	35	47,5	59,5	1,1	41,5	65,5	1	0,05	14
4307	35	80	31	50,7	38	1,63	14000	7500	0,69	35	49,5	65,4	1,5	43	72	1,5	0,06	13
4208	40	80	23	37,1	32,5	1,37	13000	7000	0,50	40	54	66	1,1	46,5	73,5	1	0,05	15
4308	40	90	33	55,9	45	1,9	12000	6700	0,95	40	56,9	73,1	1,5	48	82	1,5	0,06	14
4209	45	85	23	39	36	1,53	12000	6700	0,54	45	59,5	71,5	1,1	51,5	78,5	1	0,05	15
4309	45	100	36	68,9	56	2,4	11000	6000	1,25	45	63,5	81,5	1,5	53	92	1,5	0,06	14

## DOUBLE ROW DEEP GROOVE BALL BEARING

4210	50	90	23	41	40	1,7	11000	6000	0,58	50	65,5	77,5	1,1	56,5	83,5	1	0,05	15
4310	50	110	40	81,9	69,5	2,9	10000	5300	1,70	50	70	90	2	59	101	2	0,06	14
4211	55	100	25	44,9	44	1,9	10000	5600	0,80	55	71,2	83,8	1,5	63	92	1,5	0,05	16
4311	55	120	43	97,5	83	3,45	9000	5000	2,15	55	76,5	98,5	2	64	111	2	0,06	14
4212	60	110	28	57,2	55	2,36	9500	5300	1,10	60	75,6	90,4	1,5	68	102	1,5	0,05	15
4312	60	130	46	112	98	4,15	8500	4500	2,65	60	83,1	107	2,1	71	119	2	0,06	14
4213	65	120	31	67,6	67	2,8	8500	4800	1,45	65	82,9	99,1	1,5	73	112	1,5	0,05	15
4313	65	140	48	121	106	4,5	8000	4300	3,25	65	89,6	115	2,1	76	129	2	0,06	14
4214	70	125	31	70,2	73,5	3,1	8000	4300	1,50	70	89,4	106	1,5	78	117	1,5	0,05	15
4314	70	150	51	138	125	5	7000	3800	3,95	70	96,7	124	2,1	81	139	2	0,06	14
4215	75	130	31	72,8	80	3,35	7500	4000	1,60	75	96,9	114	1,5	83	122	1,5	0,05	16
4315	75	160	55	156	143	5,5	6700	3600	4,80	75	103	132	2,1	86	149	2	0,06	14
4216	80	140	33	80,6	90	3,6	7000	3800	2,00	80	102	120	2	89	131	2	0,05	16
4217	85	150	36	93,6	102	4	7000	3600	2,55	85	105	125	2	94	141	2	0,05	15
4218	90	160	40	112	122	4,65	6300	3400	3,20	90	114	136	2	99	151	2	0,05	15
4220	100	180	46	140	156	5,6	5600	3000	4,70	100	130	154	2,1	111	169	2	0,05	15

