

TECHNICAL DATA SHEET

SELF-CHECKING OPTICAL TOUCH BUTTON DK-THS series

Contents

- Functional Description
- Application Scenarios
- Technical Parameters
- Size parameters
- Wiring method



Figure can vary

Self-checking Optical Touch Button

Product Features

- Ergonomic design eliminates hand and arm strain from repetitive switching, providing a stress-free operation;
- Impactless against external light, EMI electromagnetic waves, and RFI radio wave interference;
- Suitable for use in chemical environments;
- IP66 protection rating;
- Two LED indicators show switch status;

*All models come with a black resin protective housing to prevent accidental damage to the optical contact buttons.



DK-THS series Button



Button With Protective Cover

Application Cases

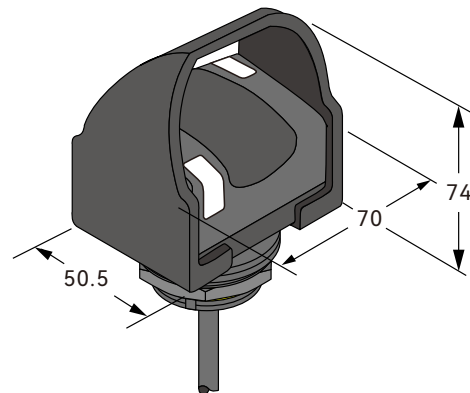
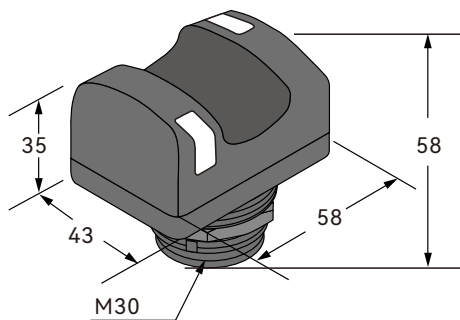


Product Parameters

Model	DK-THSVN6	DK-THSVP6
Type	NPN	PNP
Output Configuration	Complementary (SPDT) NPN (notch filter) open collector transistor; 1NO and 1NC transistor.	
Power Supply Voltage	10-30V DC	
Rated Output	Maximum load: 150mA On-state saturation voltage: < 15V@full load Off-state leakage current: <1 μ A	
Output Protection	Overload and short-circuit protection	
Response Time	20ms	
Indicator Light	Two LED indicators for power-on and output status	
Environmental Rating	IP66	
Light Interference Immunity	100000Lux	
Housing Material	Main housing material: thermoplastic polysulfone; electronic components: epoxy resin encapsulation	
Ambient Temperature	0°C~+50°C (+32°~+122°F)	
Relative Humidity	Maximum operating relative humidity at 50°C: non-condensing (%) 90%	
Features	Hazardous area number: silent; Features: Chemical resistance: No; Quick disconnect: No;	
Connection Method	Standard 2m cable (customizable length available)	

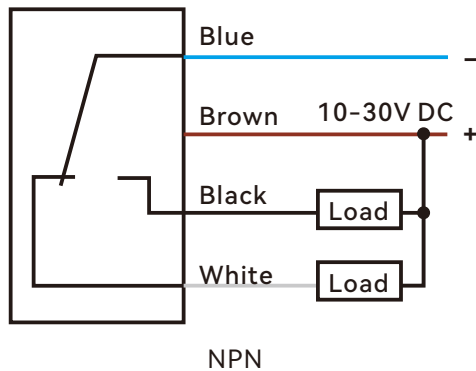
Product Dimensions

Unit: mm



Wiring method

DK-THSVN6



DK-THSVP6

