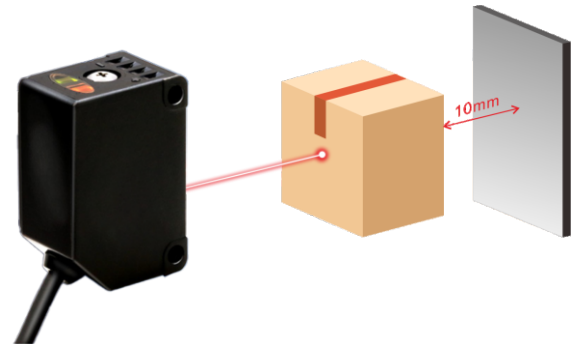



Background Suppression Photoelectric Sensor EGB43 Series

Product Features

- Unaffected by target color and background color, objects can be detected accurately;
- High precision, small differential distance, can detect small step difference;
- Anti-interference, can also resist variable frequency fluorescent lamps based on unique external interference light avoidance algorithm;
- Perfect application of BGS function, no need to adjust the detection distance even when changing production on the production line where different color workpieces are circulated;



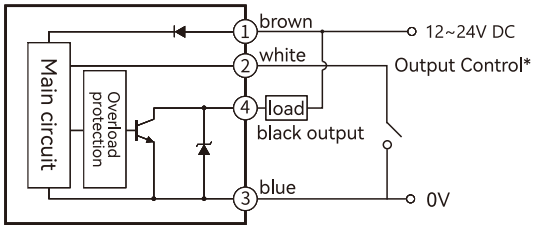
Product Specifications

Appearance (Please refer to the actual product)		
Model	NPN output	EGB43-100N-ZAA
	PNP output	EGB43-100P-ZAA
Sensor principle	Diffuse reflection photoelectric sensor, background suppression function	
Shell shape (light beam exit)	Square	
Maximum detection distance	30-1500mm	
Stable detection distance	60-1000mm	
Light source type	Infrared light	
Light spot size (distance)	Φ10-40mm	
Power supply voltage	12-24V DC	
Light exposure or not	Visible red light	
No-load current	5 mA	
Switch output	NPN/PNP	
Switch type	Normally open and normally closed wiring switch	
Output current	≤50 mA	
Response time	2ms	
Switching frequency	450Hz	
Connection type	Cable, 4 cores, 2m	
Wire material	PVC	
Protection circuit	Reverse polarity protection, 1 load short circuit	
Protection structure	IP64	
Ambient operating temperature	-25+50°C	
Ambient storage temperature	-25+70°C	
Shell material	Plastic, ABS	
Optical element	Plastic, PMMA	

Input/Output Circuit

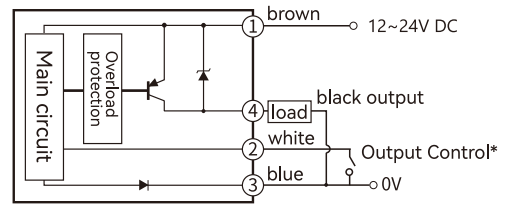
EGB43-100

NPN output



*NO white --- suspended, NC white --- 0V

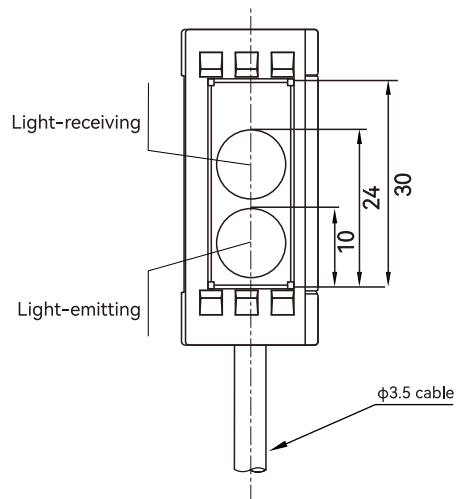
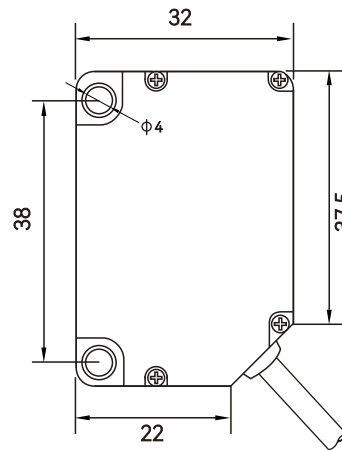
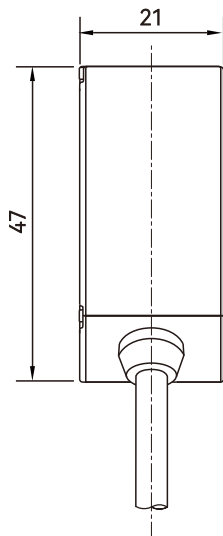
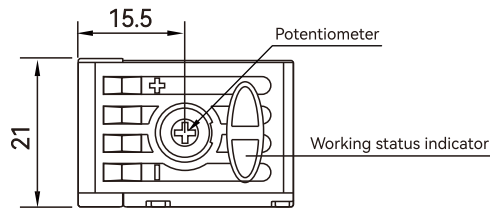
PNP output



*NO white --- suspended, NC white --- 0V

Product Specifications

EGB43-100



Unit: mm