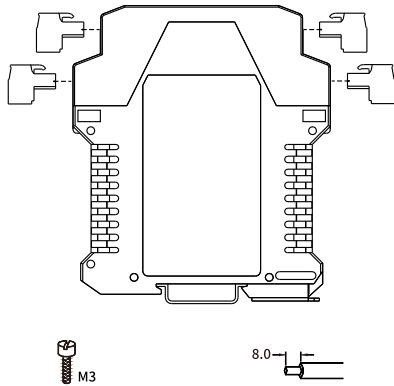


■ Connections

1. The module adopts knock-down connector with screw terminals.
2. The minimum cross section area of the flexible copper wire on the input side should be 0.5mm^2 , and 1mm^2 on the output side.
3. A length of 8mm bared wire is locked by the M3 bolt.
4. Sufficient fuse protection must be provided to the output contacts.
5. The copper wire must tolerate ambient temperature at least 75°C .
6. Wrong use of the terminal screws may cause malfunction, heat, etc., so please tighten the screws with the torque of 0.5Nm .



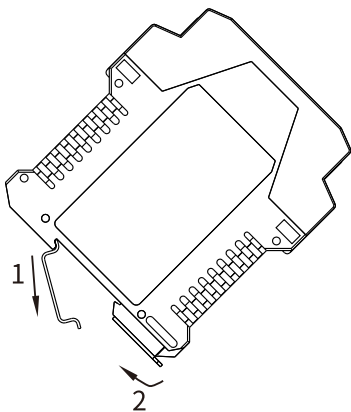
■ Installation

The safety relay should be installed in a housing at least IP54 (IEC60529) degree of protection, and the installation and using should fulfill the related requirements of IEC 60204-1.

ELS-2A4S series safety relays are designed for mounting on guide rail.

Installation according to the following steps:

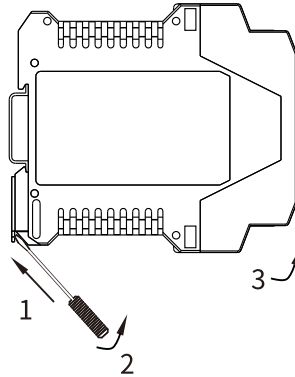
1. Make the upside of the device locked into the guide rail;
2. Push the downside of the device in the rail.



4

■ Disassembly

1. Insert a screwdriver (its edge length $\leq 6\text{mm}$) into the downside metal lock of the device;
2. Push the screwdriver upwards, then prize the metal lock downwards;
3. Take the device out of the guide rail.



5

■ Maintenance

1. Please check the safety function of safety relay periodically, make sure the safety function executes properly, and there is no sign of any components or circuit changed or bypassed.
2. Please observe relevant safety regulations, and operate according to this user manual. Disregarding these safety regulations may cause fatal accident, serious personal injury or property loss.
3. Every product has been test strictly before leaving factory. If users find any abnormality in the module, please contact the nearest agent or our technic support hot-line.
4. In 5 years from the delivery date, if the product works improperly during normal operation, we will repair or replace it without payment.

DADISICK TECHNOLOGY LIMITED

Website: ru.dadisick.com

We reserve the right to make technical changes

DADISICK®

Configurable Safety Control Unit User Manual

ELS-2A4S



Performance Level: PL e
Category: Cat.4



SIL3
IEC61508



Read this instruction sheet to make sure of correct operation.
Make sure that the instruction sheet is kept by the end user.

⚠ CAUTION

- Please check whether the product type on the package accords to the ordering contract;
- Read this manual carefully before installation or using. If anything unclear, please technical dadisick;
- Safety relay should be located in IP54 control cabinet;
- Supply voltage is 24V DC, 220V AC is forbidden;
- Users are not allowed to dismantle or repair the product, otherwise it will induce malfunction.

