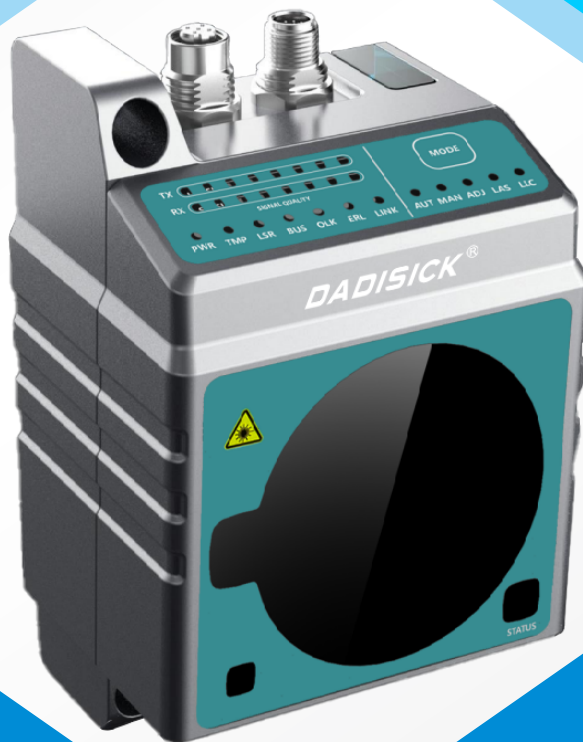


DADISICK®

Optical Data Transmission Module
EST100 series



DADISICK TECHNOLOGY LIMITED

ru.dadisick.com

1

Product Introduction

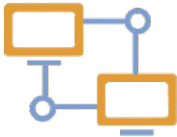
The high directivity of lasers can be used to achieve high-speed data transmission between two identified targets. Compared with traditional electromagnetic wave communication technology, laser communication has smaller transmission delay and larger transmission bandwidth, and there is almost no interference between channels. Optical data transmission modules are the best choice for all kinds of data transmission scenarios where cables cannot be laid or high real-time performance is required. The DADISICK EST100 series supports space laser communication of any protocol within 200 meters, with a transmission bandwidth of 100Mbps. It also has rich interactive and indication functions for quick installation.



200m
Measuring
Distance



1000Hz
Measurement
frequency



Any
Protocol

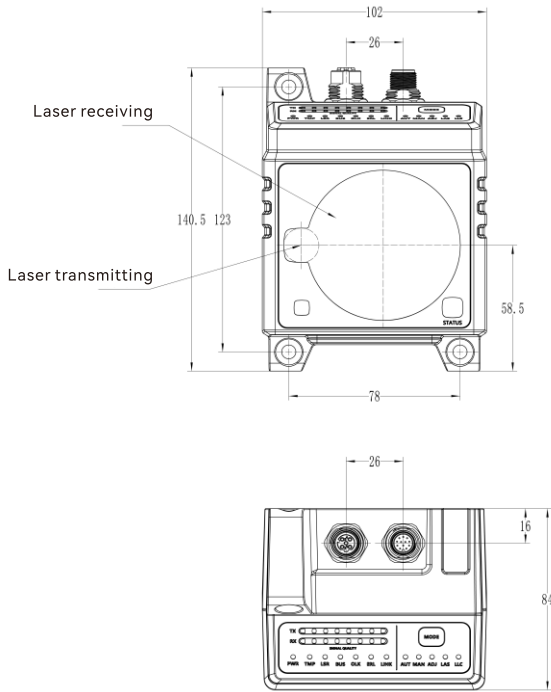


Easy
Installation

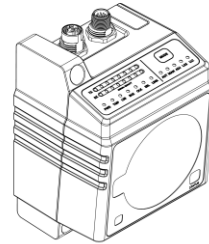
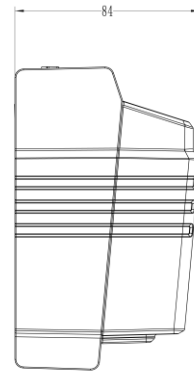
Basic information			
Product name	Optical data transmission module		
Transmitter model	EST100-80E3	EST100-120E3	EST100-200E3
Receiver model	EST100-80E4	EST100-120E4	EST100-200E4
Performance parameters			
Effective transmission distance	80m	120m	200m
Communication rate	100Mbit/s		
Communication light divergence angle	1°		
Communication light receiving angle	1.5°		
Mechanical/optical properties			
Power supply voltage	DC 10V-30V		
Power consumption	3W (max)		
Laser source	Calibration light: 650 nm Communication light source wavelength: E3 785nm/E4 850nm		
Laser level	Communication light: Class3b (EN 60825-1:2007) Calibration light: Class1		
Dimensions	102 * 84 * 140.5 (mm)		
Protection level	IP65		
Others			
Data transmission interface	Ethernet		
Communication protocol	Unlimited		
Using environment temperature	<80% RH		
Storage temperature	-20°C~70°C		
Working temperature	-10°C~55°C (indoor use)		
Ambient light	<80000 lx		

3

Dimension



Unit: mm



4

Applications



Smart warehousing



Lifting or hoisting equipment



Reciprocating transport system



Port automation