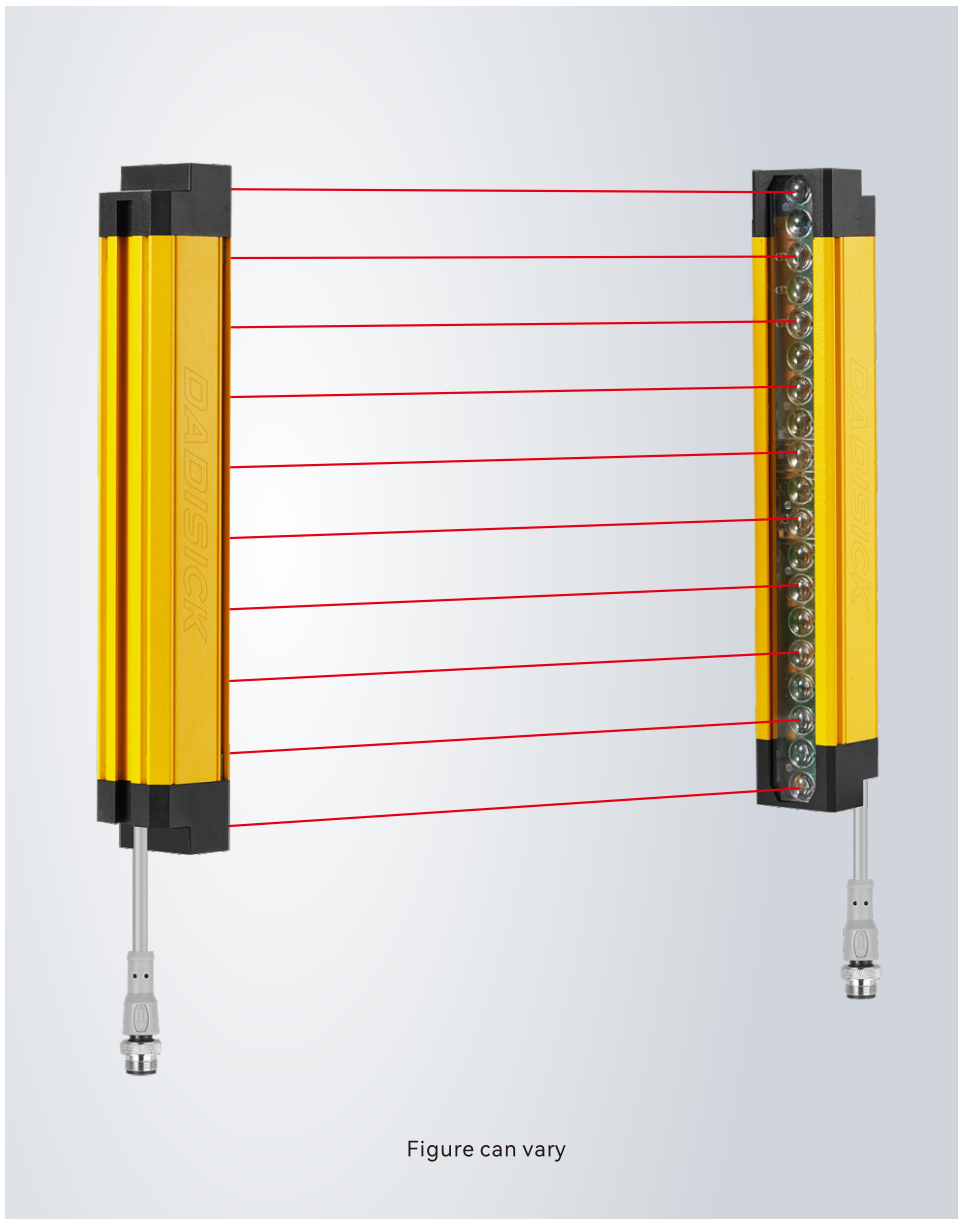


TECHNICAL DATA SHEET

SAFETY LIGHT CURTAIN SENSOR Emitter and Receiver EQO series



Contents

- Product application
- Resolution ratio
- Technical data
- Operation and display
- Dimensioned drawings
- Electrical connection
- Wiring diagram
- Accessories



Solutions

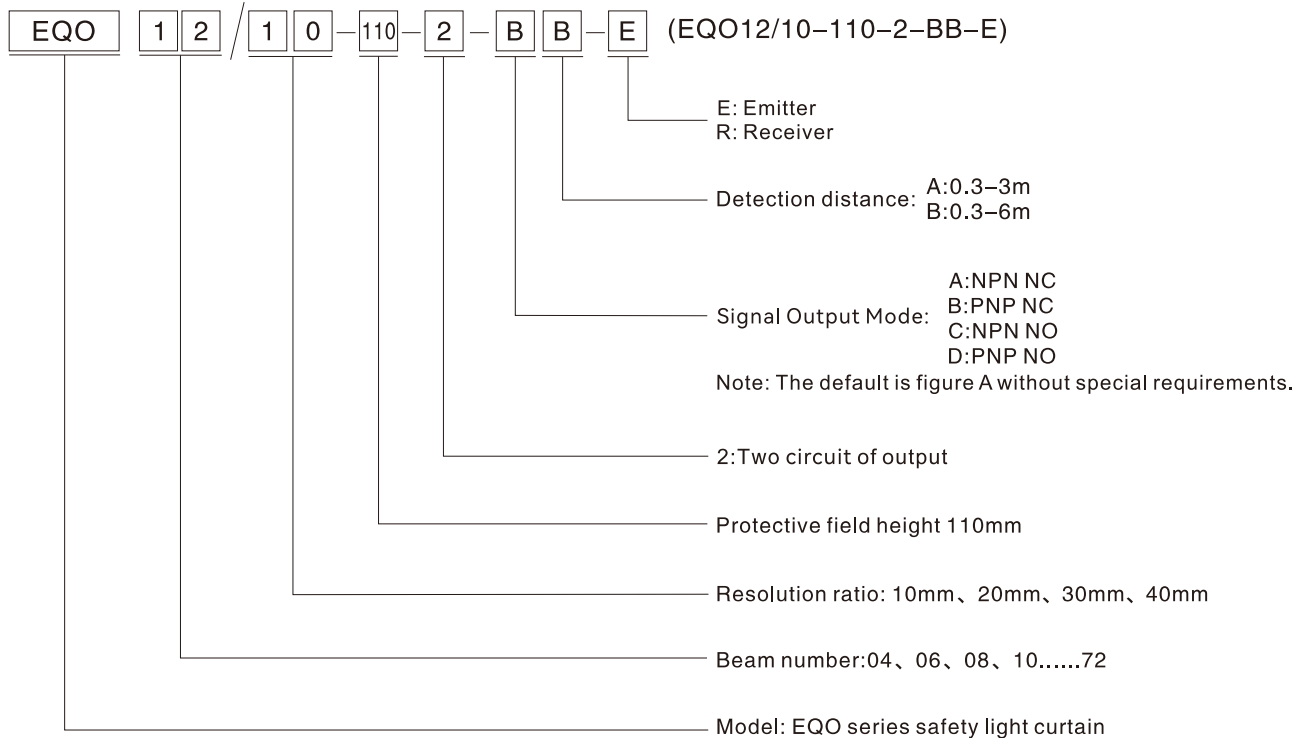


GB/T 19001-2016

Product application

- A. Light curtain can achieve full protection for the slider can be stopped at any position on the press machine.
- B. The light curtain can only achieve upper dead point protection if the slider can not be stopped at any position on the press machine.
- C. Realize the regional protection for the industry manipulator, injection molding machines, packaging equipment, automation equipment, assembly wires and other dangerous work area.
- D. Used to detect and alarm object.

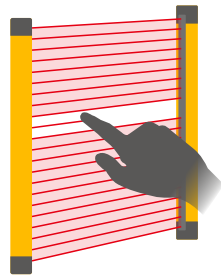
The specifications of EQO type safety light curtain are as follows:



Resolution ratio

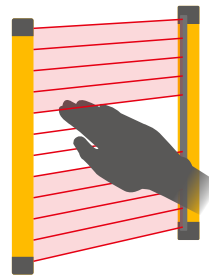
Depending on the usage environment and requirements, it is important to choose the appropriate beam spacing

Finger protection



Detection capability
10/20mm
diameter

Hand protection



Detection capability
30/40mm
diameter

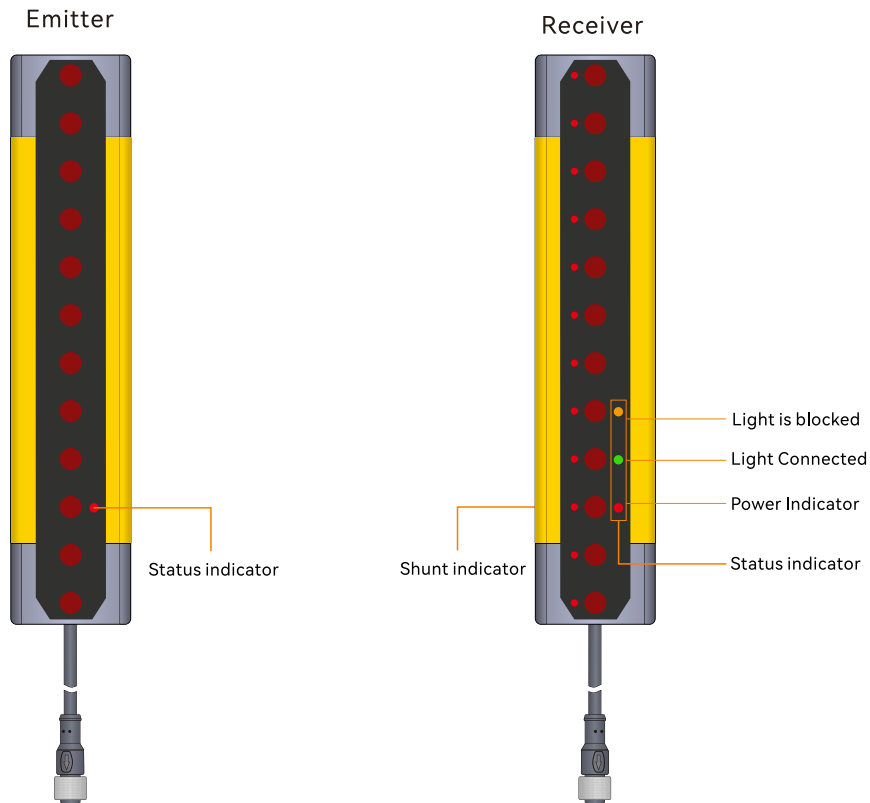
Technical data

Basic data of Receiver and Emitter

Standard packaging	
Product model	EQO series
Standard configuration	One receiver, one transmitter, two data lines, one right-angle rack, and one t-shaped screw
Light curtain form	Infrared radiation type
Application	Standard industrial environment
Features	
Resolution ratio	10mm, 20mm, 30mm, 40mm
Check the accuracy	18mm, 28mm, 38mm, 40mm
Number of beams	04、06、08、10.....72
Overall dimension	28mm*30mm*L, L is the length of emitter and receiver.
Detection distance	30-6000mm
Response time	≤15ms
Synchronization	
Consumption current	≤200mA
Output mode	2 circuit of PNP, with current of 500mA and voltage below 1.5V, polarity, short circuit and over-cutting protection
Output status	ON (receiving indicator green light)
Indicator light	Transmitter: power indicator light (red); receiver: output indicator light on (green), blackout (red)
Wavelength	850nm
Type of light	Infrared light (NIR), invisible
Function	Automatic reset
Mechanical data	
Housing material	Metal
Metal shell	Aluminium
Lens front screen material	Acrylic
Upper and lower cover materials	ABS reinforced nylon PA66+30% GF
Performance data	
Protection circuit	Short circuit protection Overvoltage protection
Supply voltage	24VDC,-20...20%
Maximum current consumption	150mA
Fuse	2A half time interval
Environmental data	
Protection grade	IP65
Resistance to ambient light	Incandescent light: illumination of light-receiving surface 3000Lx; Sunlight: illumination of light-receiving surface 10000Lx
Ambient temperature	Working temperature: - 10~+40 °C (but not frozen), storage temperature: - 25 ~+55 °C
Ambient humidity	Working time: 35~85% RH, saving time: 35~95% RH

Output	
Number of safe output circuits (OSSD)	2-circuit
Type	Safety circuit output circuit OSSD
Minimum switch voltage high	18V
Minimum switch voltage low	2.5V
Typical switching voltage	22.5V
Voltage type	DC
Maximum current load	380mA
Load inductance	two thousand
Load capacity	zero point three
Maximum residual current	0.2mA
Typical residual current	0.002MA
Voltage drop	1.5V
Safety switch output 1	Connection pin 4, WHITE OSSD1
Switching element	Transistor PNP
Safety switch output 2	Connection pin 5, GREEN OSSD2
Switching element	Transistor PNP
Certificate	
CE TÜV	No.E8A 104143 0001 Rev.00
ROHS certification	No.BSTDG180811032001CC
CE TYPE 4	No.ICR Polska/VC/HS221222
UL	No. 4790783741.1-S
ISO	No. HIC180327 GB/T 19001-2016 / ISO 9001:2015

Operation and display



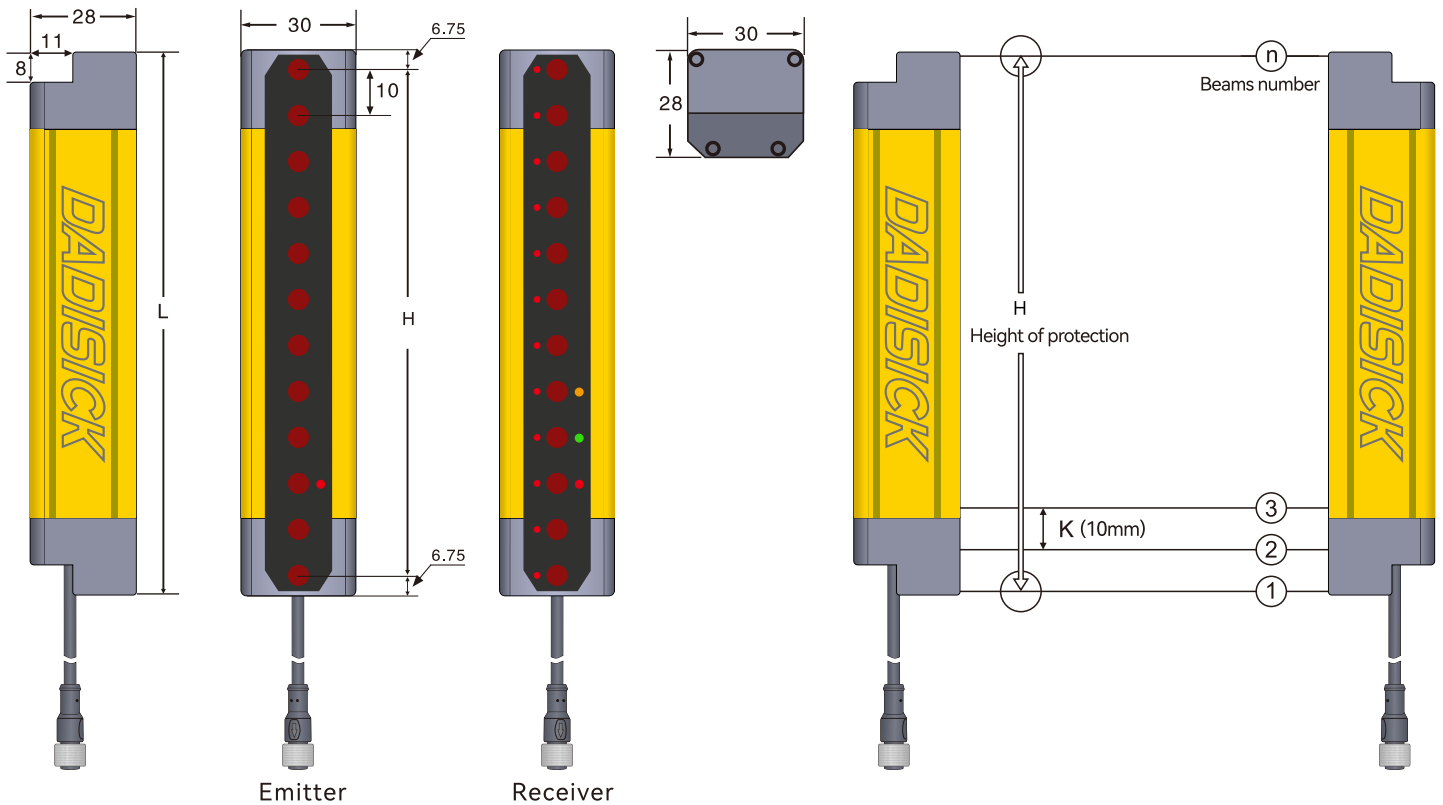
Status indicator	LED status Indicator	Explain
Emitter	Red, always on	Turns on the power
Receiver	Red, always on	Turns on the power
	Green	All light paths are connected
	Yellow	The light is blocked or misaligned
	Lights flashing	Interference or overstep detection range

Shunt indicator	LED shunt Indicator	Explain
Receiver	Red light up	The light is blocked or misaligned
	Red light out	The light paths are connected

Dimensioned drawings

1. EQO10mm series

Unit: mm



Remarks

L: Total length of light screen
 $L = 6.75 + H + 6.75$

H: Height of protected area
 $H = (n - 1) * 10$

K: Resolution ratio

n: Beams number

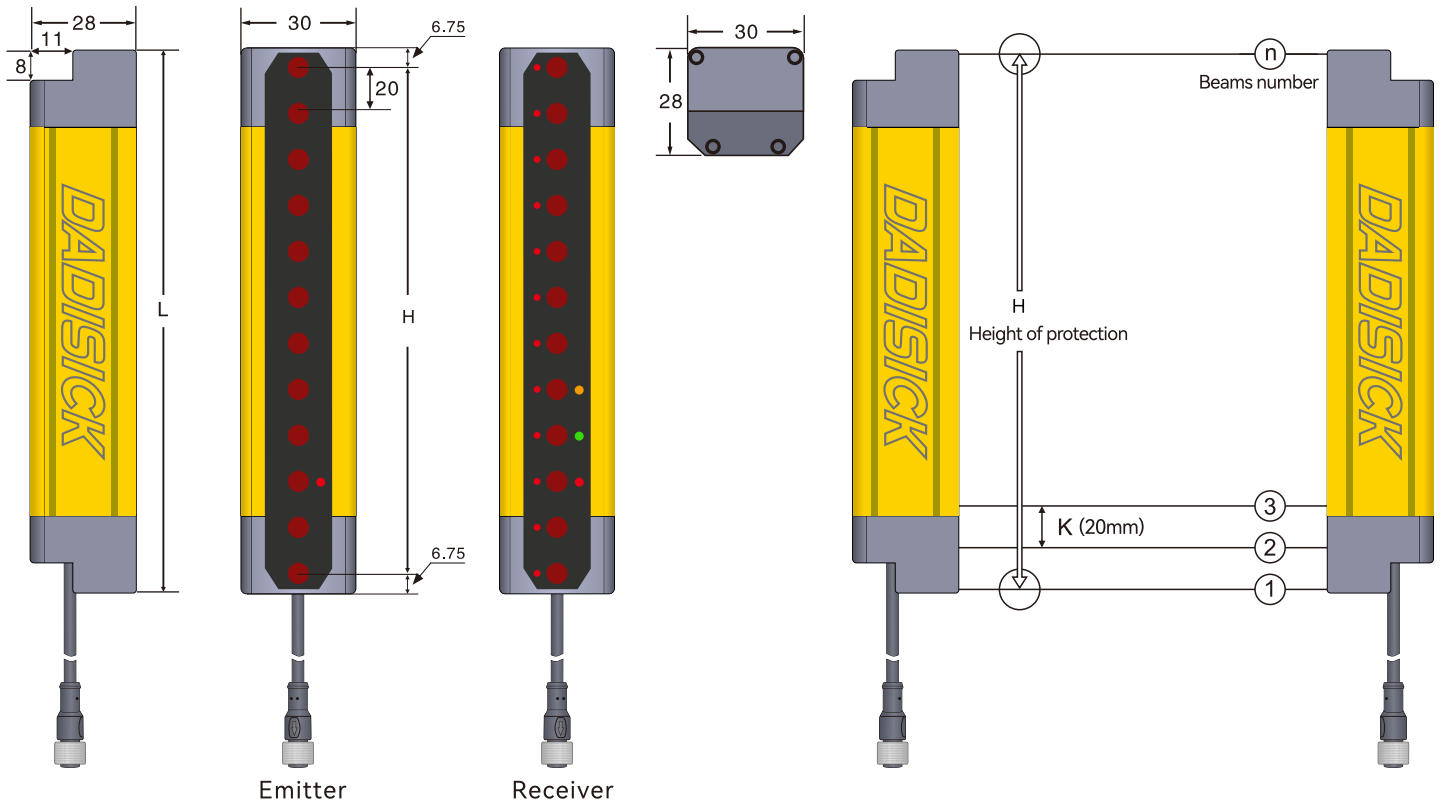
EQO 10mm specification list

Resolution	Light beam	Protection height (H)	Total height (L)	Product model	Signal output mode		Detection range
					Two outputs	PNP output	
10mm (K)	12	110	123.5	EQO12/10-110	2	PNP	0.3-6m
	14	140	153.5	EQO14/10-140	2	PNP	0.3-6m
	16	150	163.5	EQO16/10-150	2	PNP	0.3-6m
	18	170	183.5	EQO18/10-170	2	PNP	0.3-6m
	20	190	203.5	EQO20/10-190	2	PNP	0.3-6m
	22	210	223.5	EQO22/10-210	2	PNP	0.3-6m
	24	230	243.5	EQO24/10-230	2	PNP	0.3-6m
	26	250	263.5	EQO26/10-250	2	PNP	0.3-6m
	28	270	283.5	EQO28/10-270	2	PNP	0.3-6m
	30	290	303.5	EQO30/10-290	2	PNP	0.3-6m
	32	310	323.5	EQO32/10-310	2	PNP	0.3-6m
	34	330	343.5	EQO34/10-330	2	PNP	0.3-6m
	36	350	363.5	EQO36/10-350	2	PNP	0.3-6m
	38	370	383.5	EQO38/10-370	2	PNP	0.3-6m
	40	390	403.5	EQO40/10-390	2	PNP	0.3-6m
	42	410	423.5	EQO42/10-410	2	PNP	0.3-6m
	44	430	443.5	EQO44/10-430	2	PNP	0.3-6m
	46	450	463.5	EQO46/10-450	2	PNP	0.3-6m
	48	470	483.5	EQO48/10-470	2	PNP	0.3-6m
	50	490	503.5	EQO50/10-490	2	PNP	0.3-6m
	52	510	523.5	EQO52/10-510	2	PNP	0.3-6m
54	530	543.5	EQO54/10-530	2	PNP	0.3-6m	
56	550	563.5	EQO56/10-550	2	PNP	0.3-6m	
58	570	583.5	EQO58/10-570	2	PNP	0.3-6m	
60	590	603.5	EQO60/10-590	2	PNP	0.3-6m	
62	610	623.5	EQO62/10-610	2	PNP	0.3-6m	
64	630	643.5	EQO64/10-630	2	PNP	0.3-6m	
66	650	663.5	EQO66/10-650	2	PNP	0.3-6m	
68	670	683.5	EQO68/10-670	2	PNP	0.3-6m	
70	690	703.5	EQO70/10-690	2	PNP	0.3-6m	

Dimensioned drawings

2. EQO 20mm series

Unit: mm



Remarks

L: Total length of light screen

H: Height of protected area

K: Resolution ratio

n: Beams number

 $L = 6.75 + H + 6.75$ $H = (n - 1) * 20$

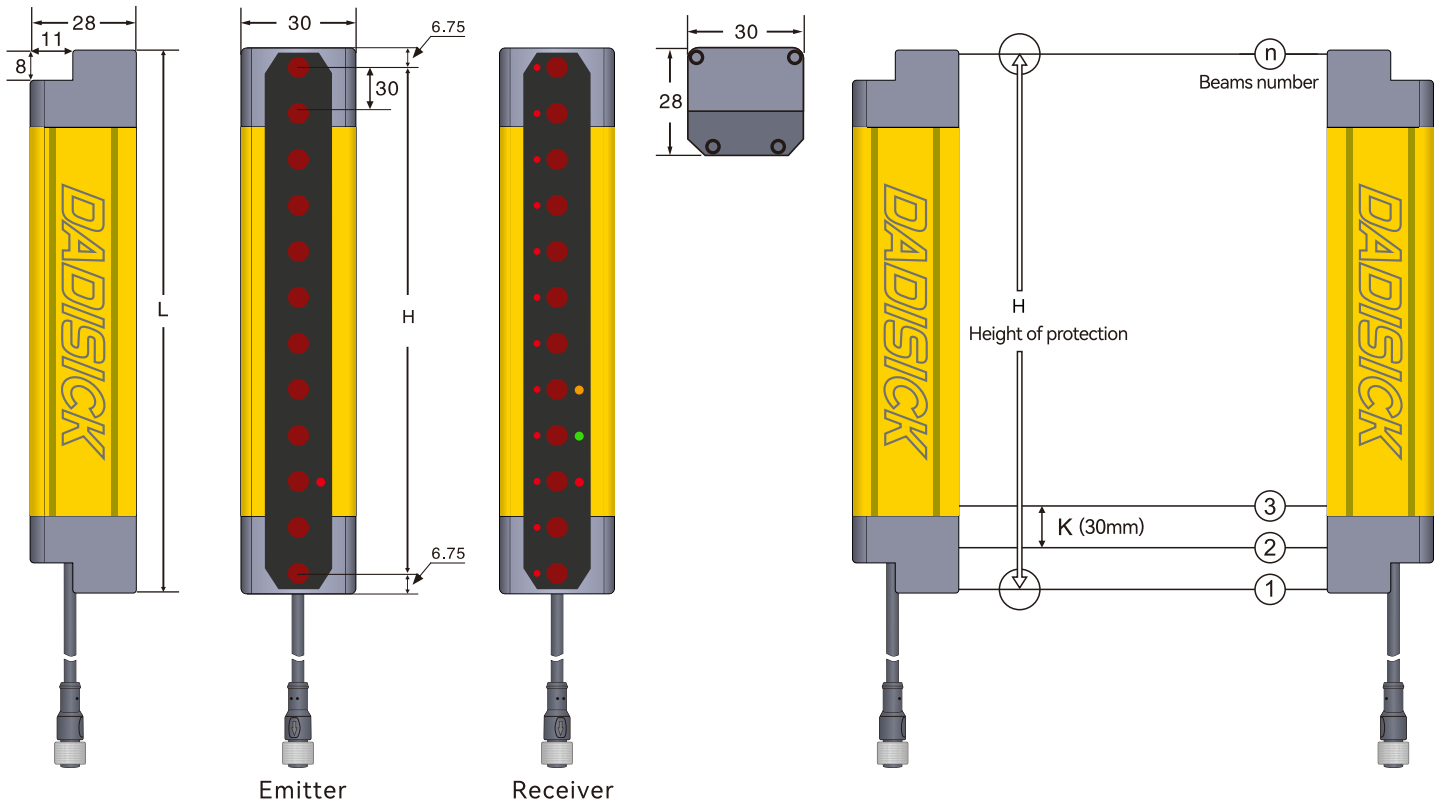
EQO 20mm specification list

Resolution	Light beam	Protection height (H)	Total height (L)	Product model	Signal output mode		Detection range
					Two outputs	PNP output	
20mm (K)	6	100	113.5	EQO06/20-100	2	PNP	0.3-6m
	8	140	153.5	EQO08/20-140	2	PNP	0.3-6m
	10	180	193.5	EQO10/20-180	2	PNP	0.3-6m
	12	220	233.5	EQO12/20-220	2	PNP	0.3-6m
	14	260	273.5	EQO14/20-260	2	PNP	0.3-6m
	16	300	313.5	EQO16/20-300	2	PNP	0.3-6m
	18	340	353.5	EQO18/20-340	2	PNP	0.3-6m
	20	380	393.5	EQO20/20-380	2	PNP	0.3-6m
	22	420	433.5	EQO22/20-420	2	PNP	0.3-6m
	24	460	473.5	EQO24/20-460	2	PNP	0.3-6m
	26	500	513.5	EQO26/20-500	2	PNP	0.3-6m
	28	540	553.5	EQO28/20-540	2	PNP	0.3-6m
	30	580	593.5	EQO30/20-580	2	PNP	0.3-6m
	32	620	633.5	EQO32/20-620	2	PNP	0.3-6m
	34	660	673.5	EQO34/20-660	2	PNP	0.3-6m
	36	700	713.5	EQO36/20-700	2	PNP	0.3-6m
	38	740	753.5	EQO38/20-740	2	PNP	0.3-6m
	40	780	793.5	EQO40/20-780	2	PNP	0.3-6m
	42	820	833.5	EQO42/20-820	2	PNP	0.3-6m
	44	860	873.5	EQO44/20-860	2	PNP	0.3-6m
	46	900	913.5	EQO46/20-900	2	PNP	0.3-6m
	48	940	953.5	EQO48/20-940	2	PNP	0.3-6m
	50	980	993.5	EQO50/20-980	2	PNP	0.3-6m
	52	1020	1033.5	EQO52/20-1020	2	PNP	0.3-6m
	54	1060	1073.5	EQO54/20-1060	2	PNP	0.3-6m
	56	1100	1113.5	EQO56/20-1100	2	PNP	0.3-6m
	58	1140	1153.5	EQO58/20-1140	2	PNP	0.3-6m
	60	1180	1193.5	EQO60/20-1180	2	PNP	0.3-6m
62	1220	1233.5	EQO62/20-1220	2	PNP	0.3-6m	
64	1260	1273.5	EQO64/20-1260	2	PNP	0.3-6m	
66	1300	1313.5	EQO66/20-1300	2	PNP	0.3-6m	
68	1340	1353.5	EQO68/20-1340	2	PNP	0.3-6m	
70	1380	1393.5	EQO70/20-1380	2	PNP	0.3-6m	
72	1420	1433.5	EQO72/20-1420	2	PNP	0.3-6m	

Dimensioned drawings

3. EQO 30mm series

Unit: mm



Remarks

L: Total length of light screen

H: Height of protected area

K: Resolution ratio

n: Beams number

 $L = 6.75 + H + 6.75$ $H = (n - 1) * 30$

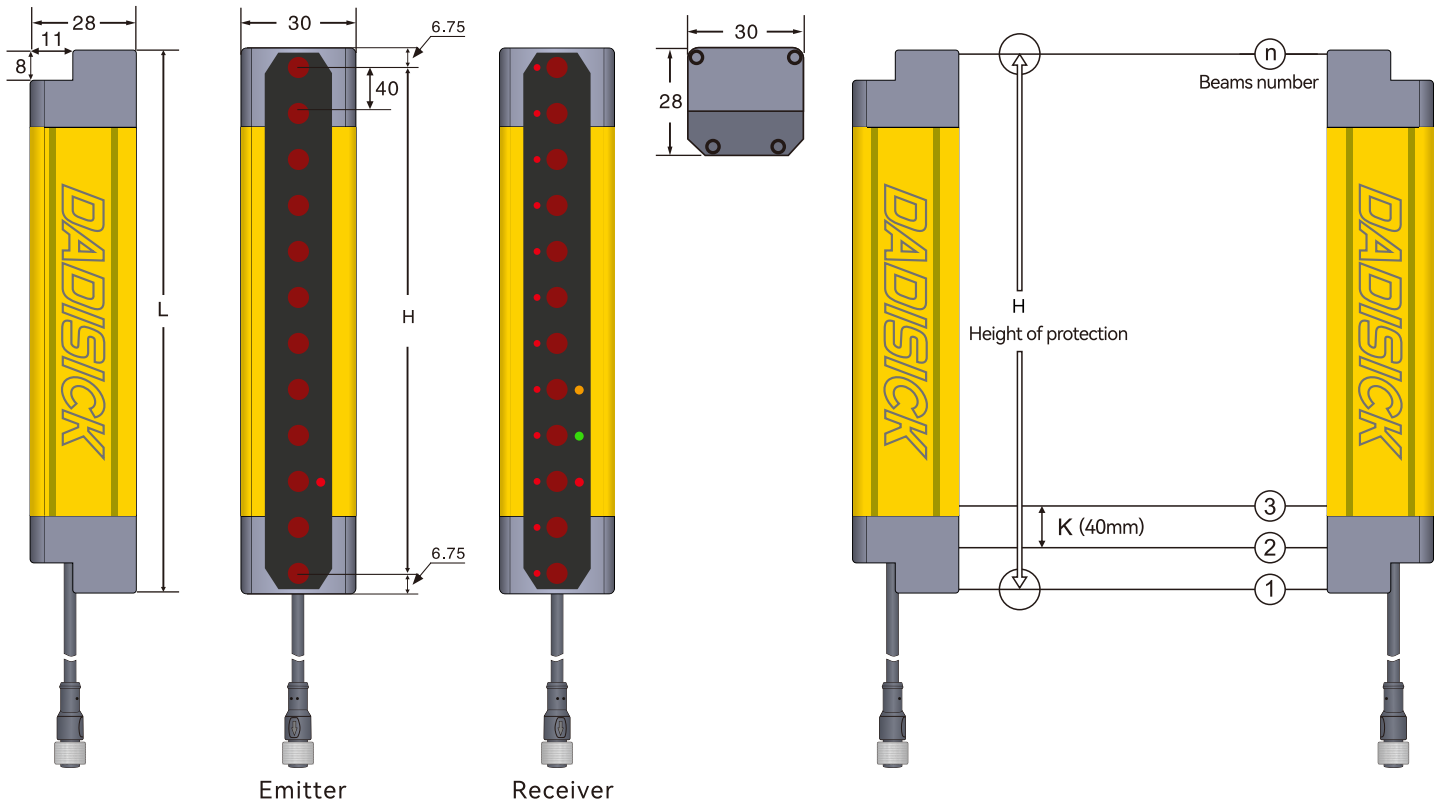
EQO 30mm specification list

Resolution	Light beam	Protection height (H)	Total height (L)	Product model	Signal output mode		Detection range
					Two outputs	PNP output	
30mm (K)	4	90	103.5	EQO04/30-90	2	PNP	0.3-6m
	6	150	163.5	EQO06/30-150	2	PNP	0.3-6m
	8	210	223.5	EQO08/30-210	2	PNP	0.3-6m
	10	270	283.5	EQO10/30-270	2	PNP	0.3-6m
	12	330	343.5	EQO12/30-330	2	PNP	0.3-6m
	14	390	403.5	EQO14/30-390	2	PNP	0.3-6m
	16	450	463.5	EQO16/30-450	2	PNP	0.3-6m
	18	510	523.5	EQO18/30-510	2	PNP	0.3-6m
	20	570	583.5	EQO20/30-570	2	PNP	0.3-6m
	22	630	643.5	EQO22/30-630	2	PNP	0.3-6m
	24	690	703.5	EQO24/30-690	2	PNP	0.3-6m
	26	750	763.5	EQO26/30-750	2	PNP	0.3-6m
	28	810	823.5	EQO28/30-810	2	PNP	0.3-6m
	30	870	883.5	EQO30/30-870	2	PNP	0.3-6m
	32	930	943.5	EQO32/30-930	2	PNP	0.3-6m
	34	990	1003.5	EQO34/30-990	2	PNP	0.3-6m
	36	1050	1063.5	EQO36/30-1050	2	PNP	0.3-6m
	38	1110	1123.5	EQO38/30-1110	2	PNP	0.3-6m
	40	1170	1183.5	EQO40/30-1170	2	PNP	0.3-6m
	42	1230	1243.5	EQO42/30-1230	2	PNP	0.3-6m
	44	1290	1303.5	EQO44/30-1290	2	PNP	0.3-6m
	46	1350	1363.5	EQO46/30-1350	2	PNP	0.3-6m
	48	1410	1423.5	EQO48/30-1410	2	PNP	0.3-6m
	50	1470	1483.5	EQO50/30-1470	2	PNP	0.3-6m
	52	1530	1543.5	EQO52/30-1530	2	PNP	0.3-6m
	54	1590	1603.5	EQO54/30-1590	2	PNP	0.3-6m
	56	1650	1663.5	EQO56/30-1650	2	PNP	0.3-6m
	58	1710	1723.5	EQO58/30-1710	2	PNP	0.3-6m
60	1770	1783.5	EQO60/30-1770	2	PNP	0.3-6m	
62	1830	1843.5	EQO62/30-1830	2	PNP	0.3-6m	
64	1890	1903.5	EQO64/30-1890	2	PNP	0.3-6m	
66	1950	1963.5	EQO66/30-1950	2	PNP	0.3-6m	
68	2010	2023.5	EQO68/30-2010	2	PNP	0.3-6m	
70	2070	2083.5	EQO70/30-2070	2	PNP	0.3-6m	
72	2130	2143.5	EQO72/30-2130	2	PNP	0.3-6m	

Dimensioned drawings

4. EQO 40mm series

Unit: mm



Remarks

L: Total length of light screen

H: Height of protected area

K: Resolution ratio

n: Beams number

 $L = 6.75 + H + 6.75$ $H = (n - 1) * 20$

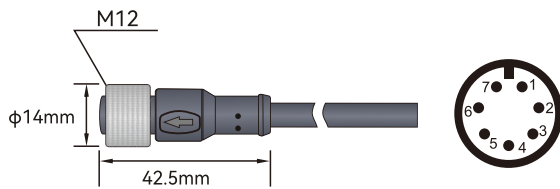
EQO 40mm specification list

Resolution	Light beam	Protection height (H)	Total height (L)	Product model	Signal output mode		Detection range
					Two outputs	PNP output	
40mm (K)	4	120	133.5	EQO04/40-120	2	PNP	0.3-6m
	6	200	213.5	EQO06/40-200	2	PNP	0.3-6m
	8	280	293.5	EQO08/40-280	2	PNP	0.3-6m
	10	360	373.5	EQO10/40-360	2	PNP	0.3-6m
	12	440	453.5	EQO12/40-440	2	PNP	0.3-6m
	14	520	533.5	EQO14/40-520	2	PNP	0.3-6m
	16	600	613.5	EQO16/40-600	2	PNP	0.3-6m
	18	680	693.5	EQO18/40-680	2	PNP	0.3-6m
	20	760	773.5	EQO20/40-760	2	PNP	0.3-6m
	22	840	853.5	EQO22/40-840	2	PNP	0.3-6m
	24	920	933.5	EQO24/40-920	2	PNP	0.3-6m
	26	1000	1013.5	EQO26/40-1000	2	PNP	0.3-6m
	28	1080	1093.5	EQO28/40-1080	2	PNP	0.3-6m
	30	1160	1173.5	EQO30/40-1160	2	PNP	0.3-6m
	32	1240	1253.5	EQO32/40-1240	2	PNP	0.3-6m
	34	1320	1333.5	EQO34/40-1320	2	PNP	0.3-6m
	36	1400	1413.5	EQO36/40-1400	2	PNP	0.3-6m
	38	1480	1493.5	EQO38/40-1480	2	PNP	0.3-6m
	40	1560	1573.5	EQO40/40-1560	2	PNP	0.3-6m
	42	1640	1653.5	EQO42/40-1640	2	PNP	0.3-6m
	44	1720	1733.5	EQO44/40-1720	2	PNP	0.3-6m
	46	1800	1813.5	EQO46/40-1800	2	PNP	0.3-6m
	48	1880	1893.5	EQO48/40-1880	2	PNP	0.3-6m
	50	1960	1973.5	EQO50/40-1960	2	PNP	0.3-6m
52	2040	2053.5	EQO52/40-2040	2	PNP	0.3-6m	
54	2120	2133.5	EQO54/40-2120	2	PNP	0.3-6m	
56	2200	2213.5	EQO56/40-2200	2	PNP	0.3-6m	
58	2280	2293.5	EQO58/40-2280	2	PNP	0.3-6m	
60	2360	2373.5	EQO60/40-2360	2	PNP	0.3-6m	
62	2440	2453.5	EQO62/40-2440	2	PNP	0.3-6m	
64	2520	2533.5	EQO64/40-2520	2	PNP	0.3-6m	
66	2600	2613.5	EQO66/40-2600	2	PNP	0.3-6m	
68	2680	2693.5	EQO68/40-2680	2	PNP	0.3-6m	
70	2760	2773.5	EQO70/40-2760	2	PNP	0.3-6m	
72	2840	2853.5	EQO72/40-2840	2	PNP	0.3-6m	

Electrical connection

Electrical interface	
Number of interfaces	2 (receiver and transmitter)
Type	M12 connector, 7-pin
Interface metal	Copper nickel plating
Plug material	GY384 gray 30P
Allowable typical conductor section	0.25mm ²
Maximum link cable	100m
Maximum allowable cable load	4.9A
Cable material	PVC

Cable description:



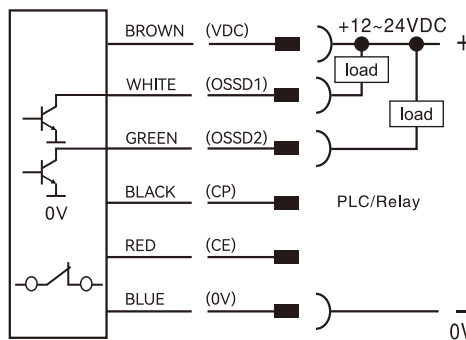
7-pin M12 cable connector straight
3m waterproof cable

Emitter Wiring diagram		
Pin number	Line color	Name
1	BROWN	24V DC
2	BLUE	0V
3	BLACK	CP
4	WHITE	NC
5	GREEN	NC
6	RED	CE
7	YELLOW	Ground wire

Receiver Wiring diagram		
Pin number	Line color	Name
1	BROWN	24V DC
2	BLUE	0V
3	BLACK	CP
4	WHITE	OSSD1
5	GREEN	OSSD2
6	RED	CE
7	YELLOW	Ground wire

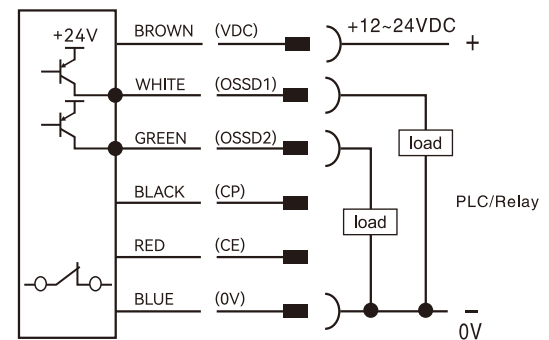
1. EQO signal output selection (actual output of transistor working normally)

NPN NC



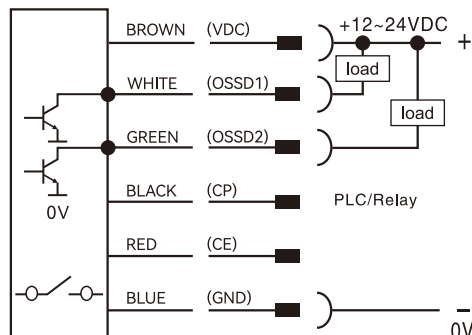
A

PNP NC



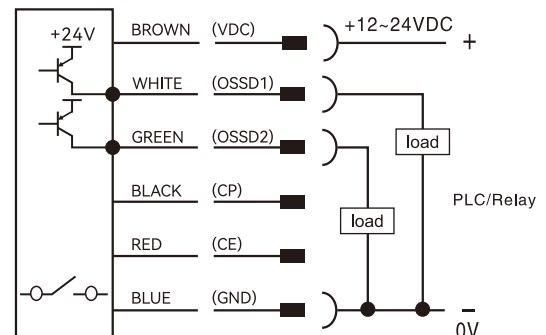
B

NPN NO



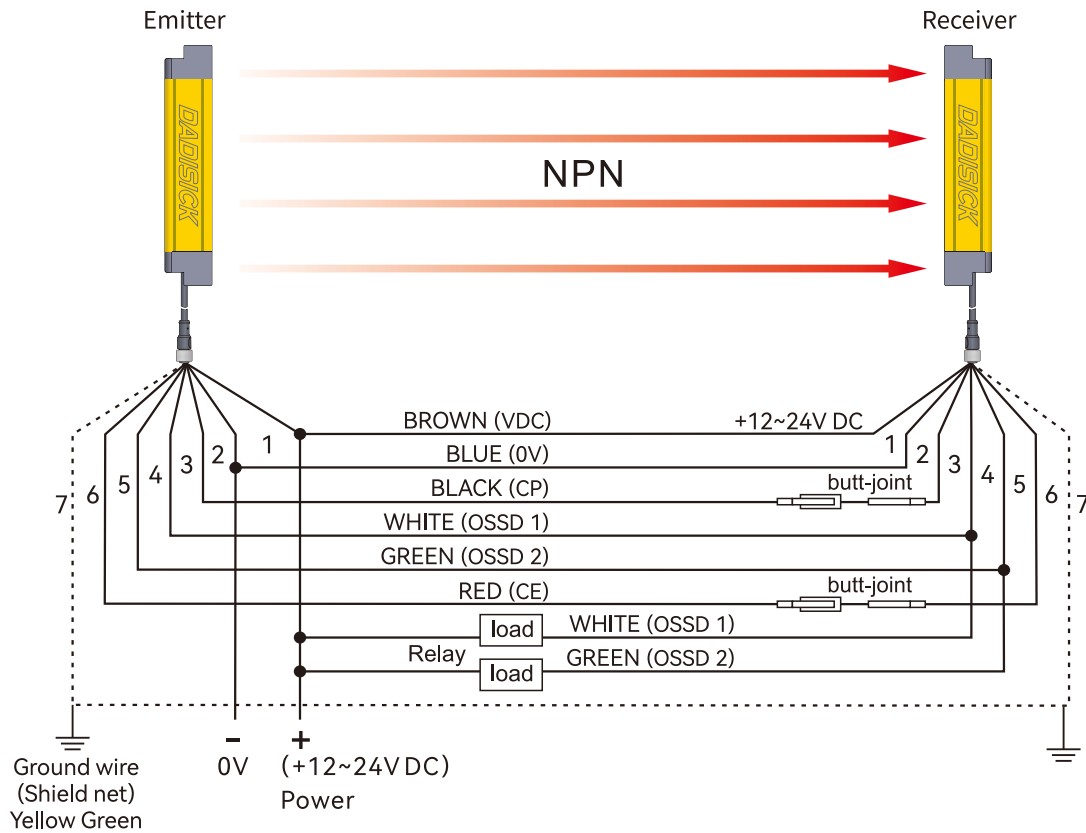
C

PNP NO



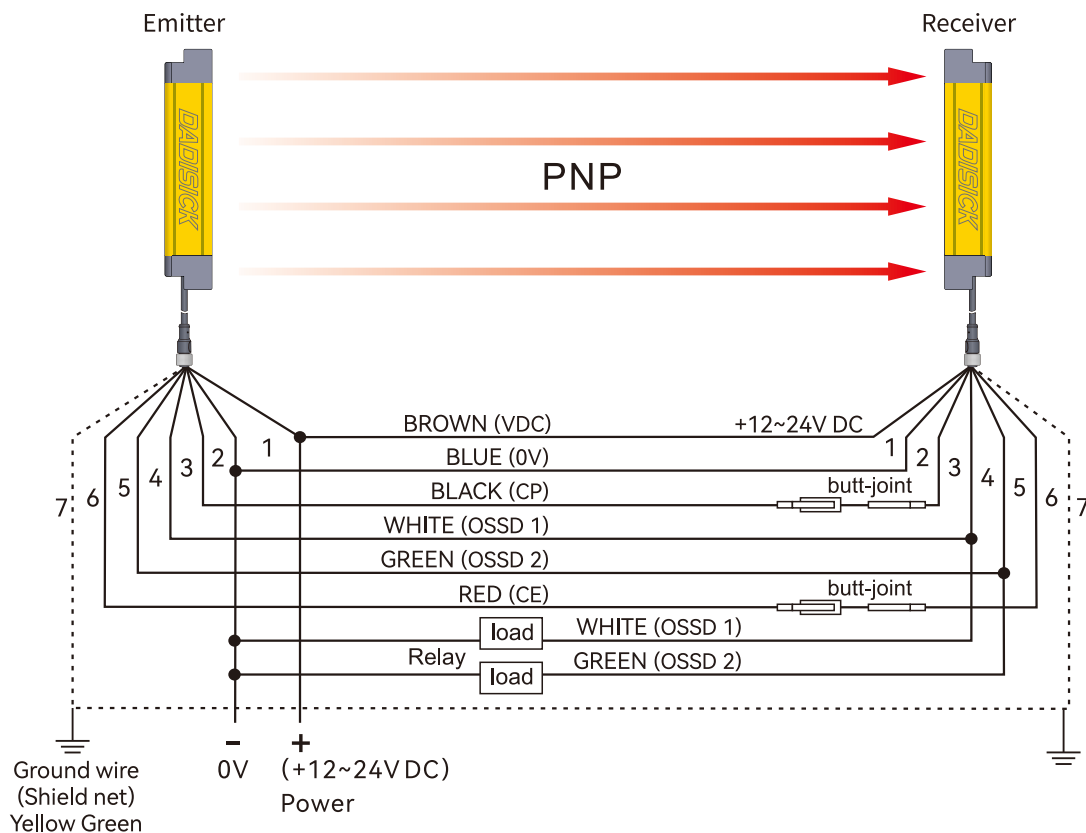
D

2. NPN output wiring diagram







This figure is an example of NPN double output 7-pin wiring.

3. PNP output wiring diagram

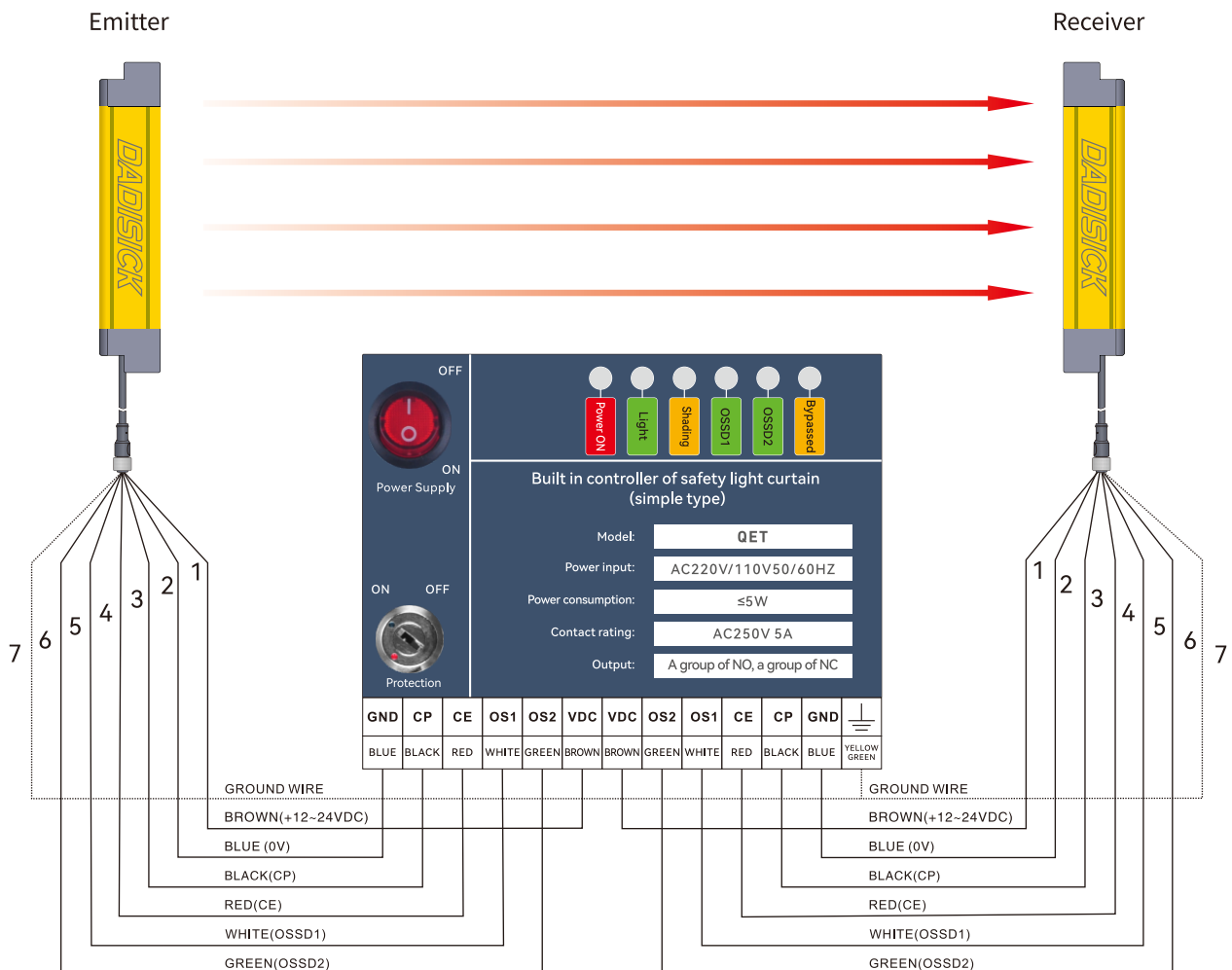


This figure is an example of PNP double output 7-pin wiring.

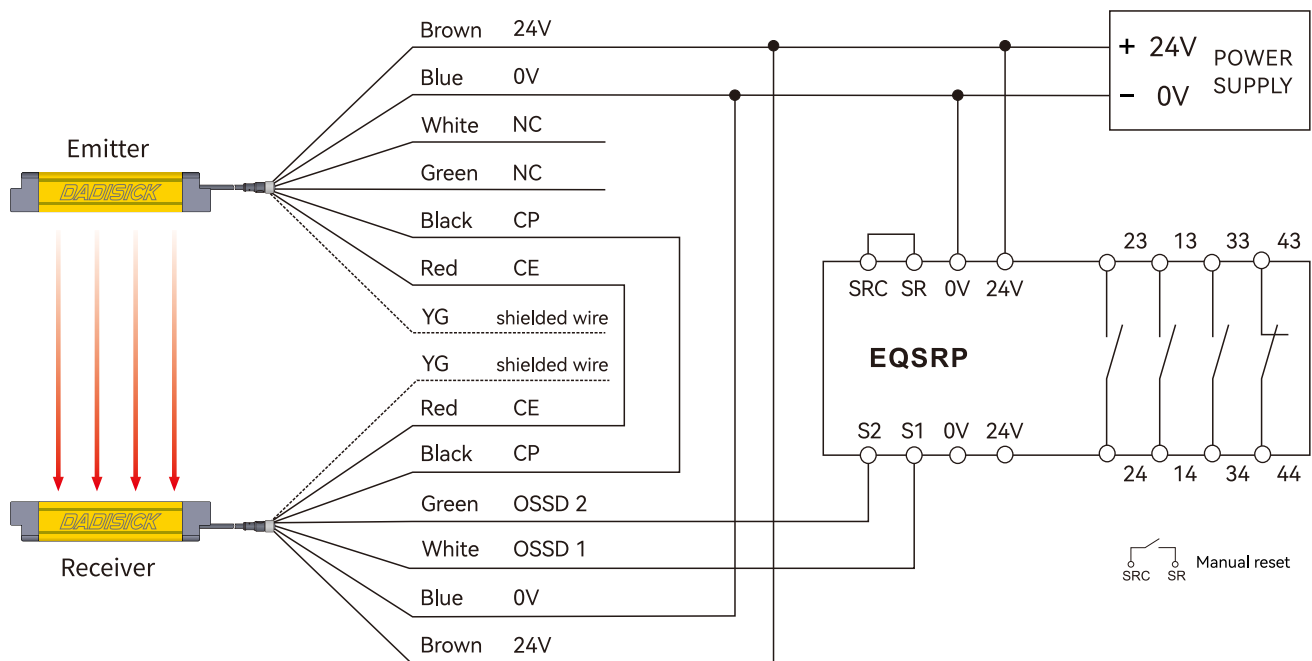
4. Selection of safety light curtain controller

Name	Order separately	Model	Descriptions
Built-in controller		QET	Used to monitor the signal processing of EQO series light curtain, and output one group of NO and one group of NC.
Safety relay		EQSRP	EQSRP safety relays have three groups of NO and one group of NC, with strong control capabilities. They are suitable for various signal monitoring in industrial places with high safety requirements, including emergency stop signals, safety door opening and closing signals, safety light curtain signals, and two-handed button signals.
Safety relay		ETer-AP	Equipped with a mode switch, it can be used for most safety components, such as light curtains, safety switches, carpet contacts, two handed switches, etc. Automatic/manual reset paddles for quick configuration. Dual channel monitoring circuit, safe and reliable.
Light curtain relay		QET-1	Output conversion between NC and NO for EQO series light curtain.

4.1 Wiring diagram of QET built-in controller

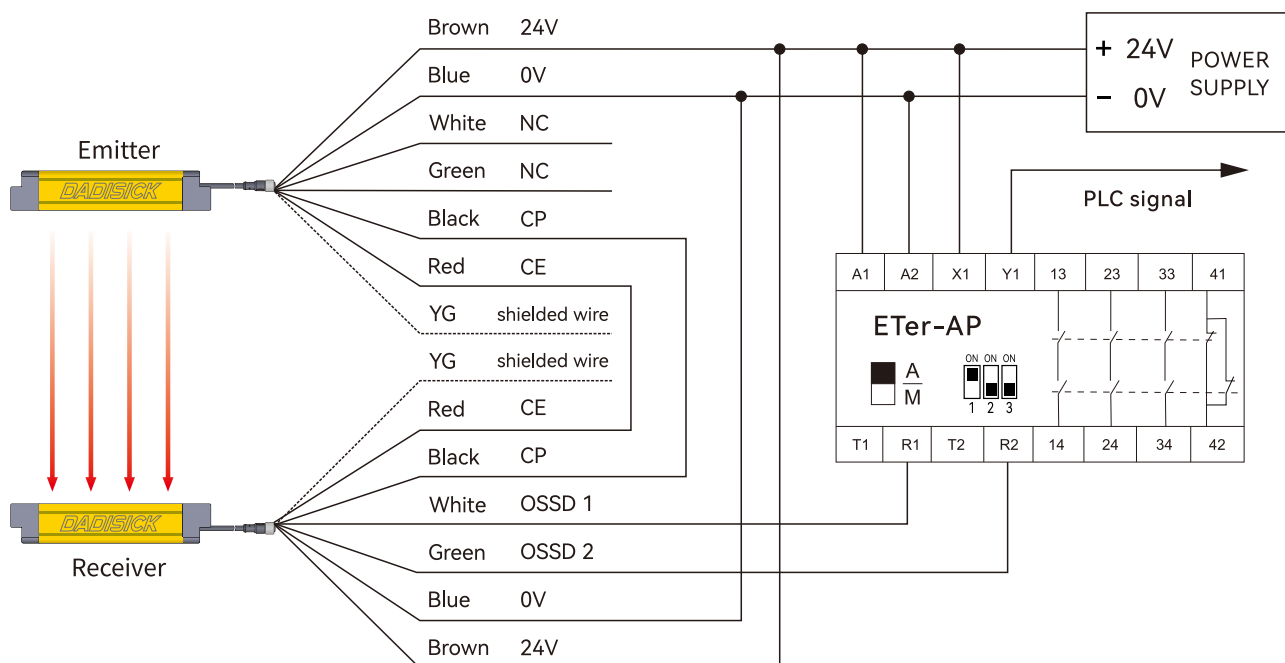


4.2 Wiring diagram of EQSRP safety relay

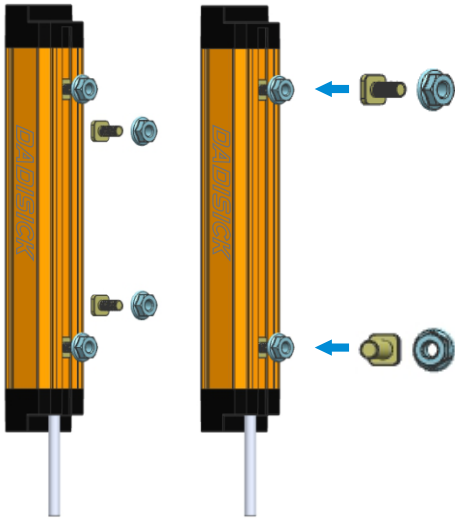


4.3 Wiring diagram of ETer-AP safety relay

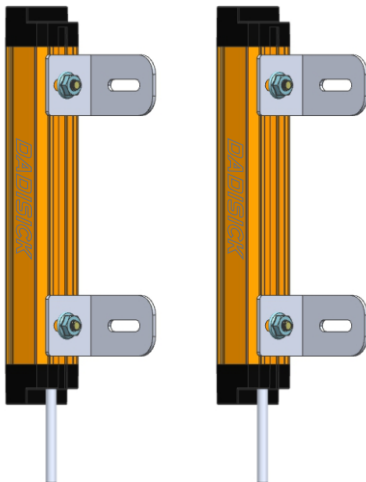
Dual channel light curtain PNP switch safety input, with automatic reset and PLC signal output.



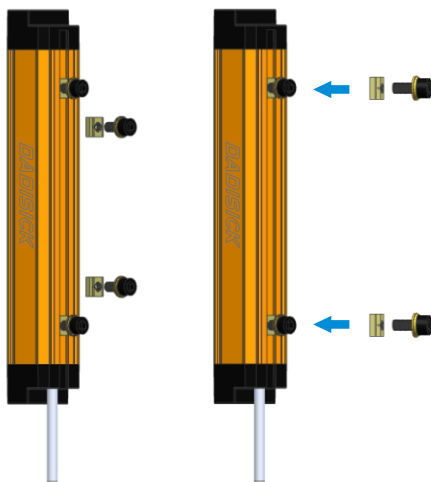
Accessories



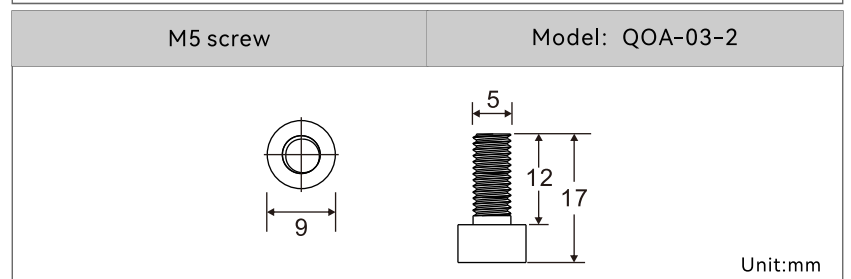
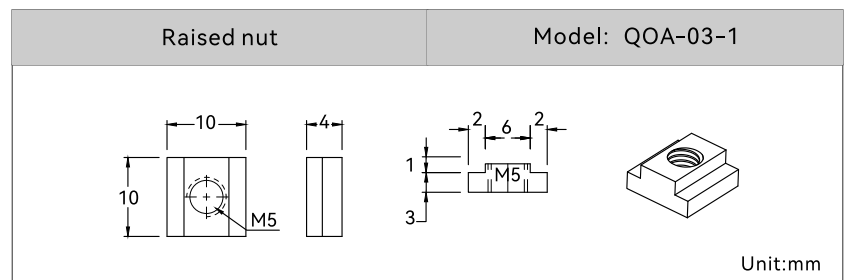
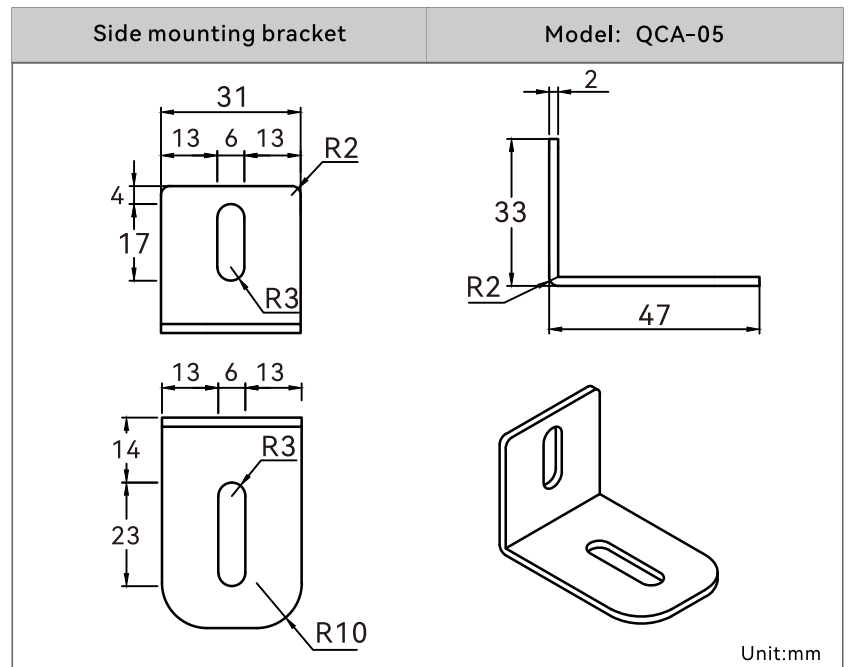
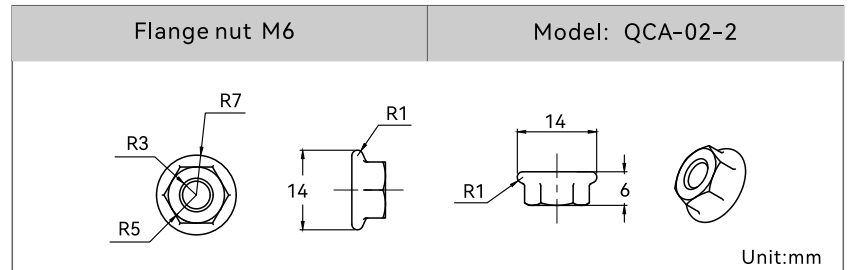
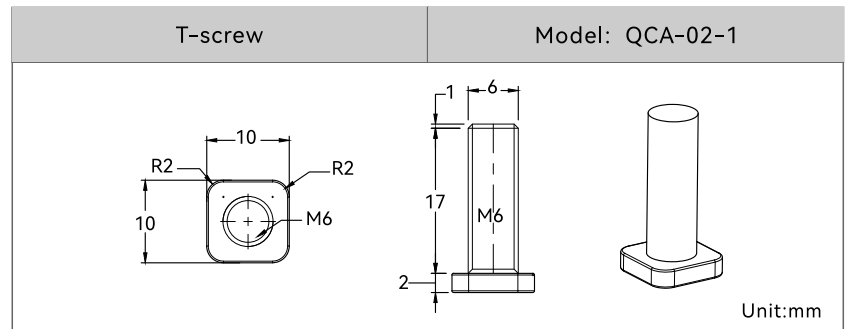
1. Installation method of T-shaped screws on the back
(Original accessories)

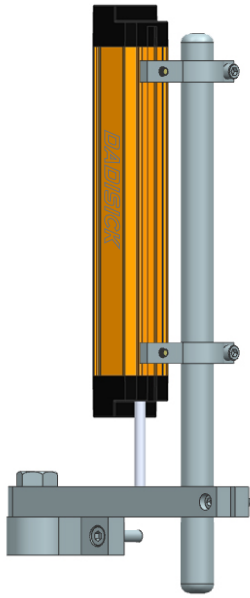


2. Installation method of side right angle bracket
(Original accessories)



3. Installation method of convex nut
(Optional accessories)





4. Stainless steel bracket installation
(Order separately)

