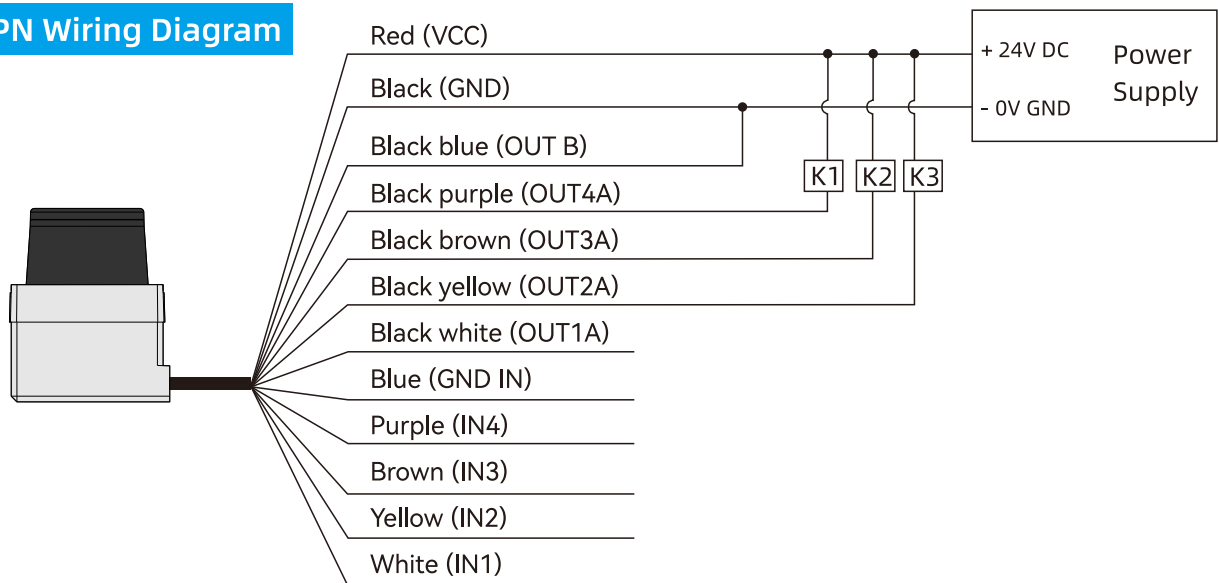
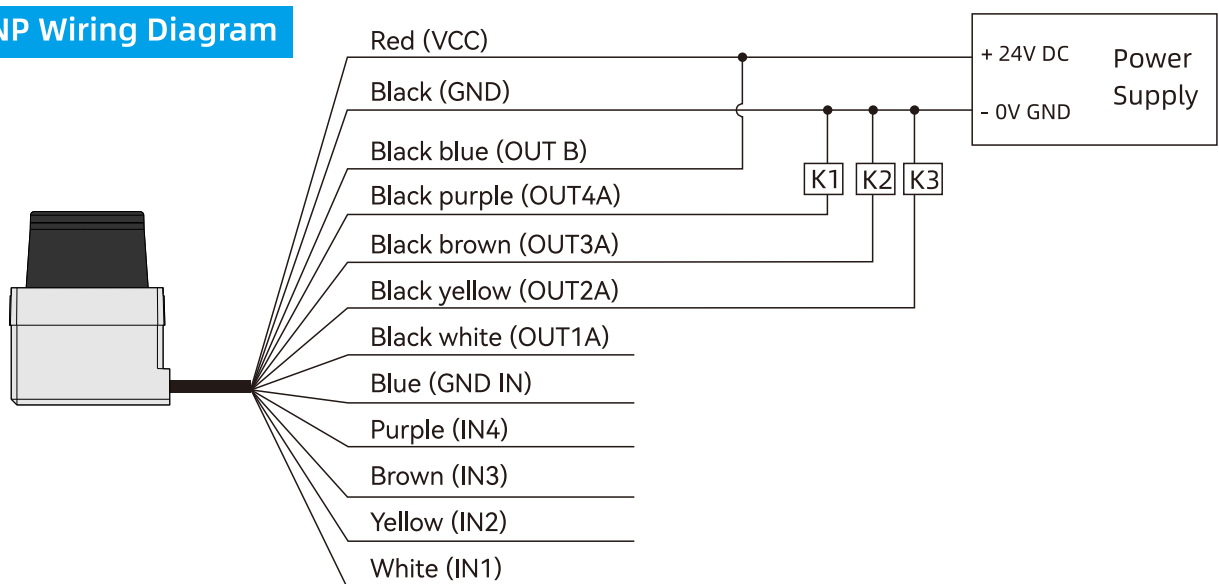


### NPN Wiring Diagram



### PNP Wiring Diagram



- The input signal of the universal input positive terminal "IN1...IN4" is a level input (vs. the universal input common negative terminal "GND IN"), and the logic state is "high level" and "low level";
- The universal output terminal "OUT1...4A" is a PNP/NPN switch output (vs. the universal output common terminal "OUT B"), and the logic state is "on" and "off"; when the universal common terminal is connected to a low level, OUT1...4 is an NPN output, and when the universal common terminal is connected to a high level, OUT1...4 is a PNP output;
- V/GND can be used as the power supply for the external circuit of the I/O terminal to simplify wiring.