


Small Size Background Suppression Photoelectric Sensor DK-GSB Series

Product Features

- Unaffected by target color and background color, objects can be detected accurately;
- High precision, small differential distance, can detect small step difference;
- Anti-interference, can also resist variable frequency fluorescent lamps based on unique external interference light avoidance algorithm;
- Even when changing production on a production line with different color workpieces, there is no need to adjust the detection distance;



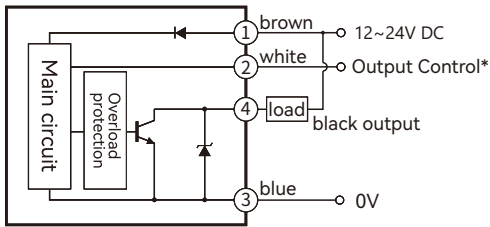
Product Specifications

Appearance (Please refer to the actual product)		
Model	NPN output	DK-GSB-12N
	PNP output	DK-GSB-12P
Sensor principle		Diffuse reflection photoelectric sensor, background suppression function
Shell shape (beam exit)		Square
Maximum detection distance		2-150mm
Stable detection distance		3-120mm
Light source type		Laser class2 (650nm)
Light spot size (distance)		Φ1.5mm (at 100 mm)
Power supply voltage		12-24V DC
Residual ripple		<5 V
No-load current		5 mA
Switch output		NPN/PNP
Switch type		Normally open and normally closed wiring switching
Output current		≤50 mA
Response time		<0.6ms
Switching frequency		800 Hz
Connection type		Cable, 4 cores, 2m
Wire material		PVC
Protection circuit		Reverse polarity protection, load short circuit protection
Protection structure		IP64
Ambient operating temperature		-25+50°C
Ambient storage temperature		-25+70°C
Shell material		Plastic, ABS
Optical element		Plastic, PMMA

Input/Output Circuit

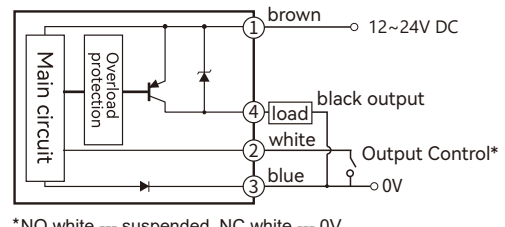
DK-GSB-12

NPN output



*NO white --- suspended, NC white --- 0V

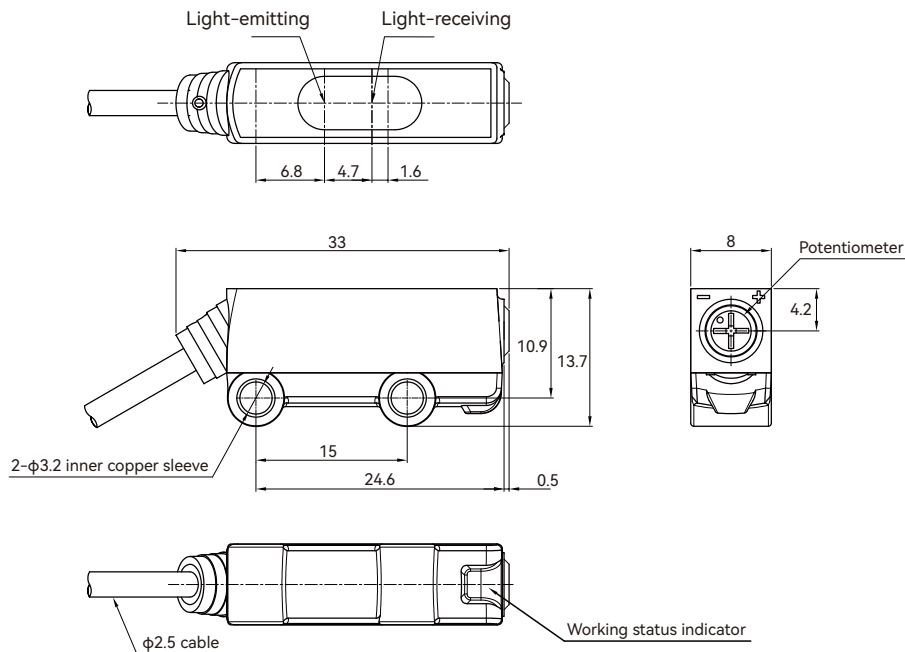
PNP output



*NO white --- suspended, NC white --- 0V

Product Specifications

DK-GSB-12



Unit: mm