

**DADISICK®**

# Optical Data Transmission Module DK-ST100 series

---



# 1

## Product Introduction

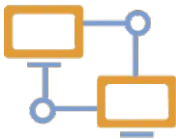
The high directivity of lasers can be used to achieve high-speed data transmission between two identified targets. Compared with traditional electromagnetic wave communication technology, laser communication has smaller transmission delay and larger transmission bandwidth, and there is almost no interference between channels. Optical data transmission modules are the best choice for all kinds of data transmission scenarios where cables cannot be laid or high real-time performance is required. The DADISICK DK-ST100 series supports space laser communication of any protocol within 200 meters, with a transmission bandwidth of 100Mbps. It also has rich interactive and indication functions for quick installation.



**200m**  
Measuring  
Distance



**1000Hz**  
Measurement  
frequency



**Any**  
Protocol

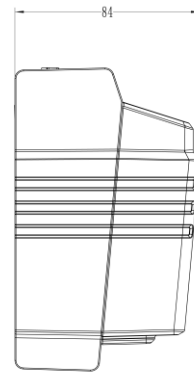
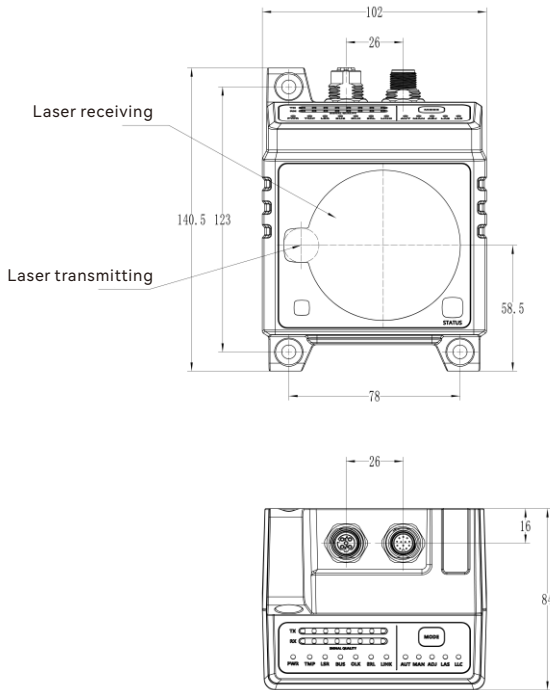


**Easy**  
Installation

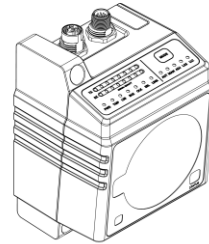
Basic information			
Product name	Optical data transmission module		
Transmitter model	DK-ST100-80E3	DK-ST100-120E3	DK-ST100-200E3
Receiver model	DK-ST100-80E4	DK-ST100-120E4	DK-ST100-200E4
Performance parameters			
Effective transmission distance	80m	120m	200m
Communication rate	100Mbit/s		
Communication light divergence angle	1°		
Communication light receiving angle	1.5°		
Mechanical/optical properties			
Power supply voltage	DC 10V-30V		
Power consumption	3W (max)		
Laser source	Calibration light: 650 nm Communication light source wavelength: E3 785nm/E4 850nm		
Laser level	Communication light: Class3b (EN 60825-1:2007) Calibration light: Class1		
Dimensions	102 * 84 * 140.5 (mm)		
Protection level	IP65		
Others			
Data transmission interface	Ethernet		
Communication protocol	Unlimited		
Using environment temperature	<80% RH		
Storage temperature	-20°C~70°C		
Working temperature	-10°C~55°C (indoor use)		
Ambient light	<80000 lx		

# 3

## Dimension



Unit: mm



# 4

## Applications



Smart warehousing



Lifting or hoisting equipment



Reciprocating transport system



Port automation

A photograph of a modern, multi-story industrial building with a light-colored facade and numerous windows. The word "DADISICK" is prominently displayed in large, blue, sans-serif capital letters on the top edge of the building. The image is framed by a white, diamond-shaped border with rounded corners, set against a solid blue background.

**DADISICK**



Scan the QR code to learn more

## Contact us

### **DADISICK TECHNOLOGY LIMITED**

Add: No.33 Sanjiang Industrial Area, Hengli Town, Dongguan City, Guangdong Province P.R.China.  
We reserve the right to make technical changes

Email: [sale@dadisick.com](mailto:sale@dadisick.com)  
WhatsAPP: 86 13313746108  
Website: [www.dadisick.com](http://www.dadisick.com)