

TECHNICAL DATA SHEET

SAFETY LIGHT CURTAIN SENSOR Emitter and Receiver DK-QM series



Contents

- Product application
- Resolution ratio
- Technical data
- Operation and display
- Dimensioned drawings
- Electrical connection
- Wiring diagram
- Accessories



Solutions

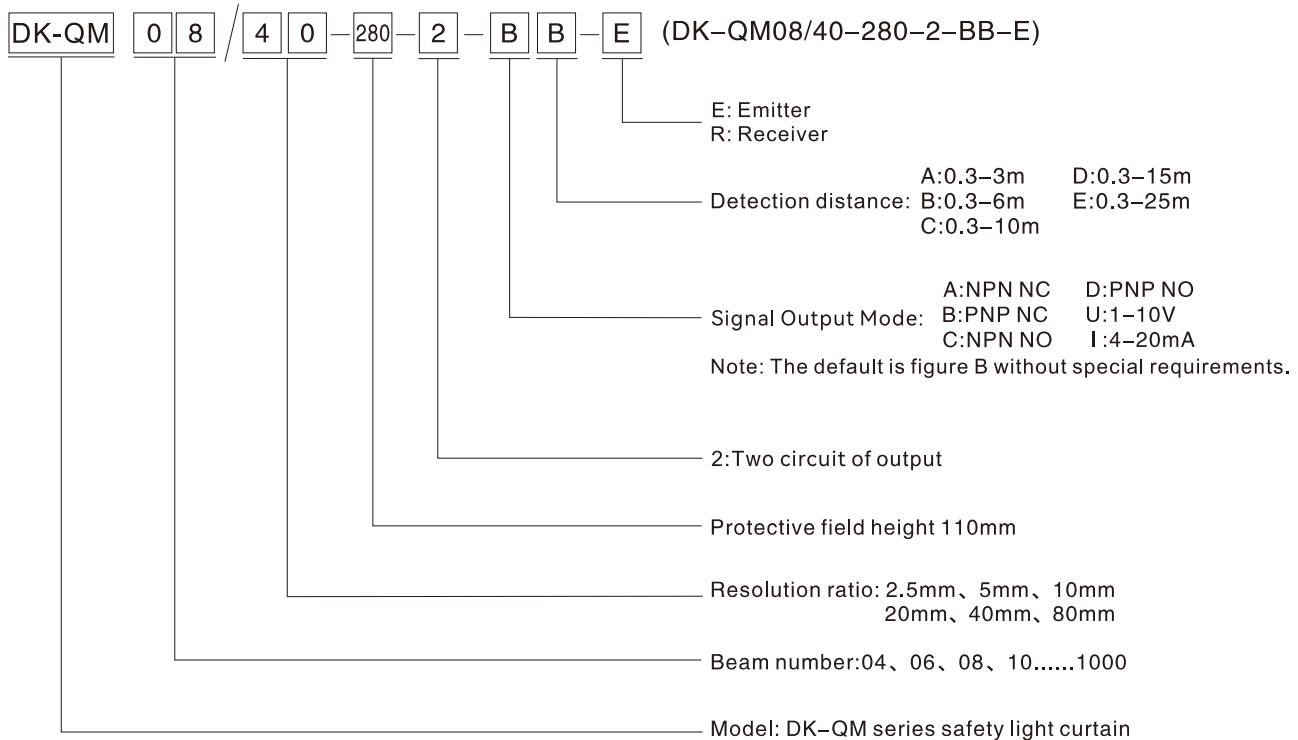


GB/T 19001-2016

Product application

- A. Light curtain can achieve full protection for the slider can be stopped at any position on the press machine.
- B. The light curtain can only achieve upper dead point protection if the slider can not be stopped at any position on the press machine.
- C. Realize the regional protection for the industry manipulator, injection molding machines, packaging equipment, automation equipment, assembly wires and other dangerous work area.
- D. Used to detect and alarm object.

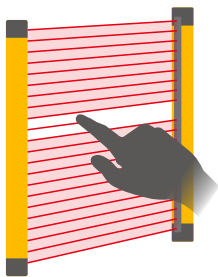
The specifications of DK-QM type safety light curtain are as follows:



Resolution ratio

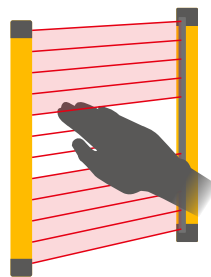
Depending on the usage environment and requirements, it is important to choose the appropriate beam spacing

Finger protection



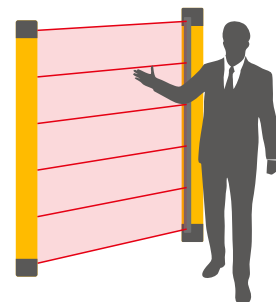
Detection capability
2.5/5/10/20mm
diameter

Hand protection



Detection capability
40mm
diameter

Arm/body protection



Detection capability
80mm
diameter

Technical data

Basic data of Receiver and Emitter

Standard packaging	
Product model	DK-QM series
Standard configuration	One receiver, one transmitter, two data lines, one right-angle rack, and one t-shaped screw
Light curtain form	Infrared radiation type
Application	Standard industrial environment

Features	
Resolution ratio	2.5mm, 5mm, 10mm, 20mm, 40mm, 80mm
Check the accuracy	3.75mm, 6.5mm, 15mm, 25mm, 45mm, 85mm
Number of beams	04、06、08、10.....1000
Overall dimension	36mm*36mm*L, L is the length of emitter and receiver.
Detection distance	30-3000mm、30-6000mm、30-10000mm、30-15000mm、30-25000mm
Response time	≤15ms

Synchronization	
Consumption current	≤200mA
Output mode	2 circuit of PNP, with current of 500mA and voltage below 1.5V, polarity, short circuit and over-cutting protection
Output status	ON (receiving indicator green light)
Indicator light	Transmitter: power indicator light (red); receiver: output indicator light on (green), blackout (red)
Wavelength	850nm
Type of light	Infrared light (NIR), invisible
Function	Automatic reset

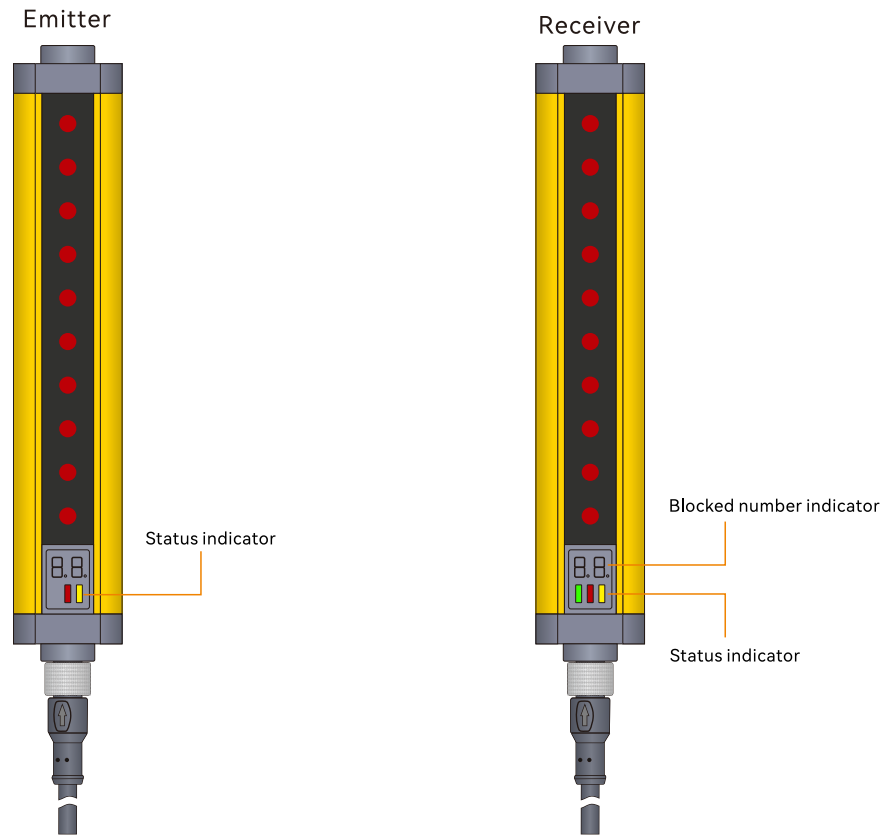
Mechanical data	
Housing material	Metal
Metal shell	Aluminium
Lens front screen material	Acrylic
Upper and lower cover materials	ABS reinforced nylon PA66+30% GF






Performance data	
Protection circuit	Short circuit protection Overvoltage protection
Supply voltage	24VDC,-20...20%
Maximum current consumption	150mA
Fuse	2A half time interval

Environmental data	
Protection grade	IP65
Resistance to ambient light	Incandescent light: illumination of light-receiving surface 3000Lx; Sunlight: illumination of light-receiving surface 10000Lx
Ambient temperature	Working temperature: - 10~+40 °C (but not frozen), storage temperature: - 25 ~+55 °C
Ambient humidity	Working time: 35~85% RH, saving time: 35~95% RH

Output	
Number of safe output circuits (OSSD)	2-circuit
Type	Safety circuit output circuit OSSD
Minimum switch voltage high	18V
Minimum switch voltage low	2.5V
Typical switching voltage	22.5V
Voltage type	DC
Maximum current load	380mA
Load inductance	two thousand
Load capacity	zero point three
Maximum residual current	0.2mA
Typical residual current	0.002MA
Voltage drop	1.5V
Safety switch output 1	Connection pin 4, WHITE OSSD1
Switching element	Transistor PNP
Safety switch output 2	Connection pin 5, GREEN OSSD2
Switching element	Transistor PNP
Certificate	
CE TÜV	No.E8A 104143 0001 Rev.00
ROHS certification	No.BSTDG180811032001CC
CE TYPE 4	No.ICR Polska/VC/HS221222
UL	No. 4790783741.1-S
ISO	No. HIC180327 GB/T 19001-2016 / ISO 9001:2015

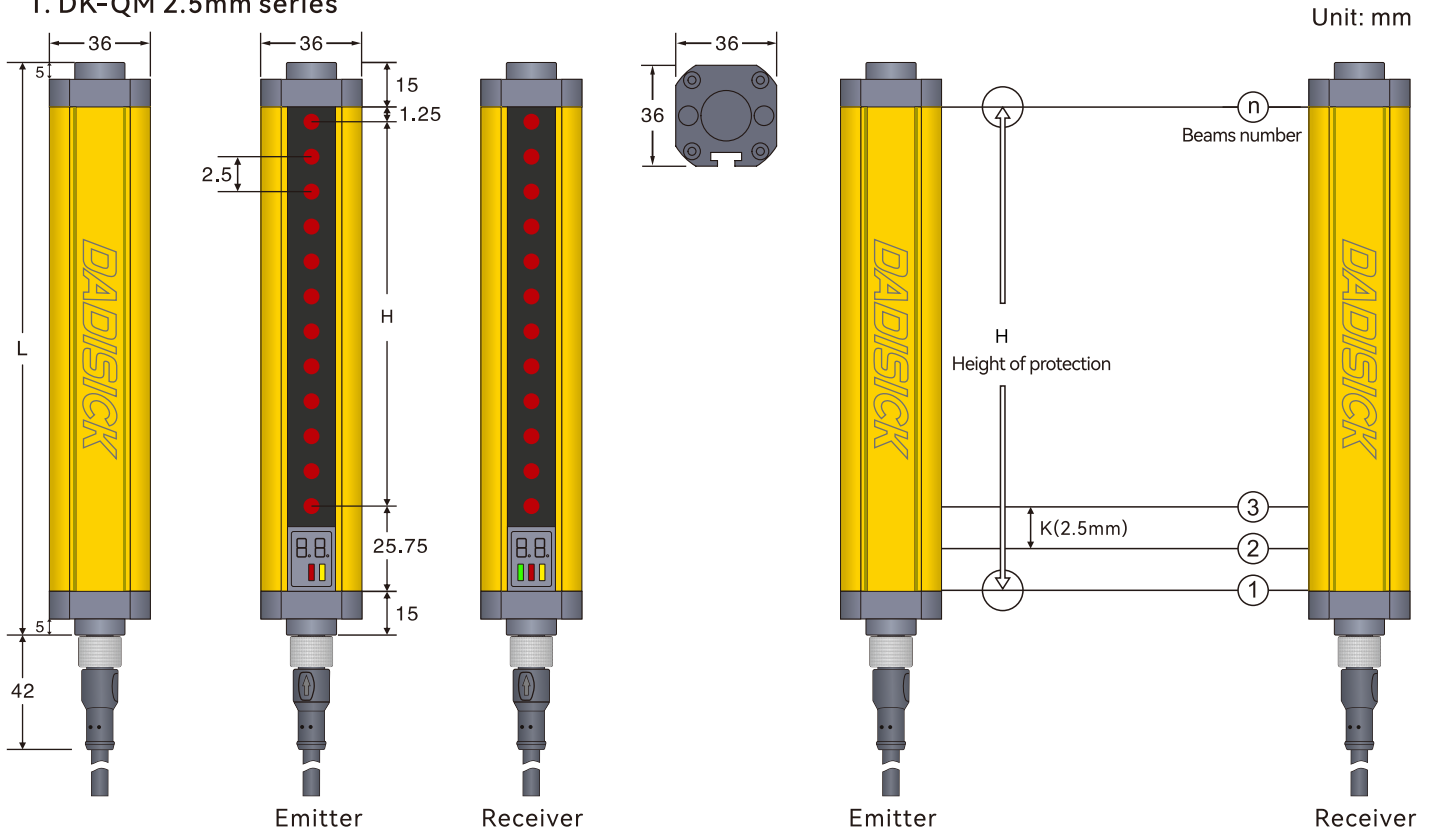
Operation and display



Status indicator	LED status Indicator	Explain
Emitter	 Red and Yellow, always on	Turns on the power
Receiver	 Red, always on	Turns on the power
	 Green and Red	All light paths are connected
	 Red and Yellow	The light is blocked or misaligned
	 Lights flashing	Interference or overstep detection range

Dimensioned drawings

1. DK-QM 2.5mm series



Remarks

L: Total length of light screen

H: Height of protected area

K: Resolution ratio

n: Beams number

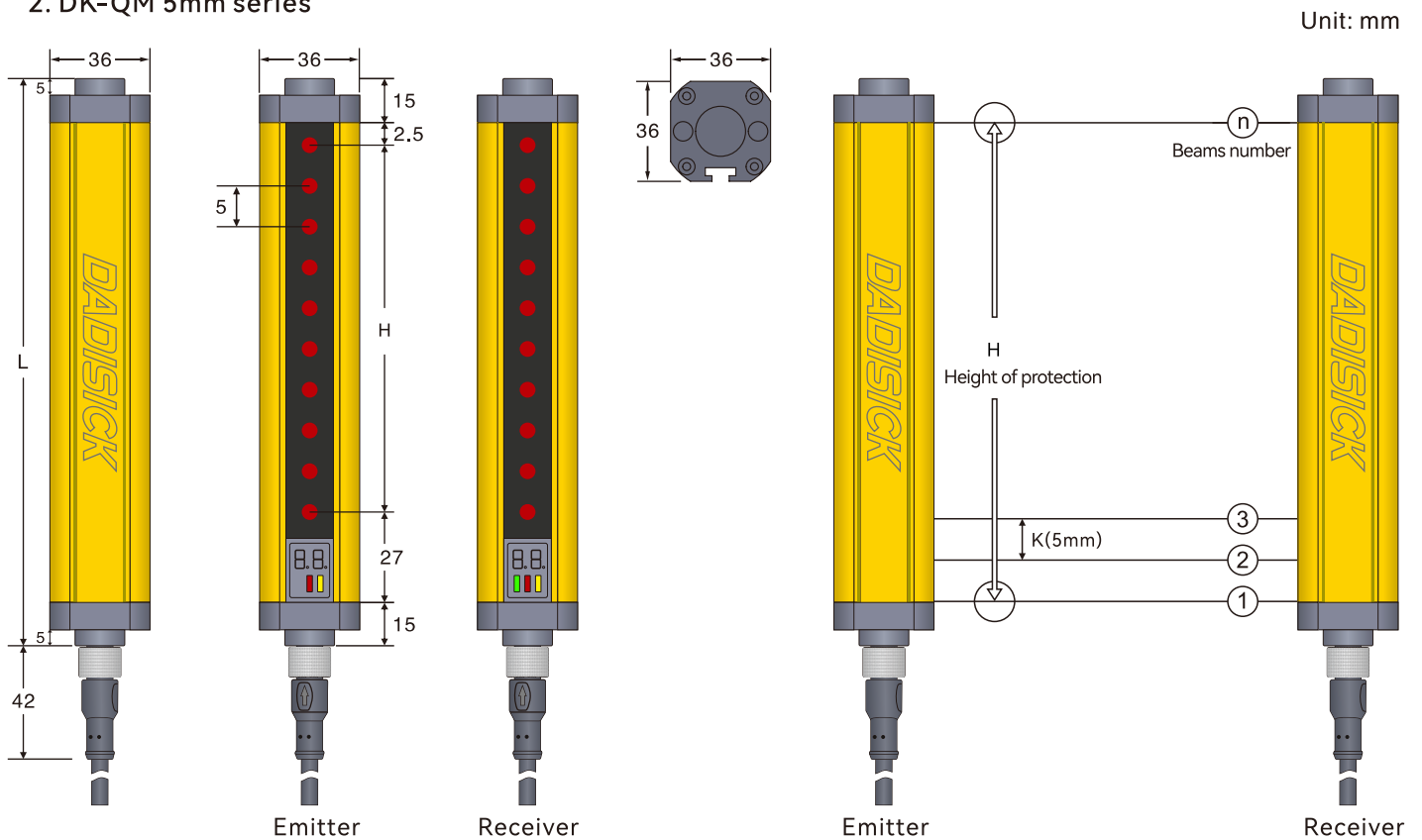
$$L = 15 + 1.25 + H + 25.75 + 15$$

$$H = (n - 1) * 2.5$$

DK-QM 2.5mm specification list

Resolution	Light beam	Protection height (H)	Total height (L)	Product model	Signal output mode		Detection range
					Two outputs	PNP output	
2.5mm (K)	32	77.5	134.5	DK-QM32/2.5-77.5	2	PNP	0.3-3m
	40	97.5	154.5	DK-QM40/2.5-97.5	2	PNP	0.3-3m
	48	117.5	174.5	DK-QM48/2.5-117.5	2	PNP	0.3-3m
	56	137.5	194.5	DK-QM56/2.5-137.5	2	PNP	0.3-3m
	64	157.5	214.5	DK-QM64/2.5-157.5	2	PNP	0.3-3m
	72	177.5	234.5	DK-QM72/2.5-177.5	2	PNP	0.3-3m
	80	197.5	254.5	DK-QM80/2.5-197.5	2	PNP	0.3-3m
	88	217.5	274.5	DK-QM88/2.5-217.5	2	PNP	0.3-3m
	96	237.5	294.5	DK-QM96/2.5-237.5	2	PNP	0.3-3m
	104	257.5	314.5	DK-QM104/2.5-257.5	2	PNP	0.3-3m
	112	277.5	334.5	DK-QM112/2.5-277.5	2	PNP	0.3-3m
	120	297.5	354.5	DK-QM120/2.5-297.5	2	PNP	0.3-3m
	128	317.5	374.5	DK-QM128/2.5-317.5	2	PNP	0.3-3m
	136	337.5	394.5	DK-QM136/2.5-337.5	2	PNP	0.3-3m
	144	357.5	414.5	DK-QM144/2.5-357.5	2	PNP	0.3-3m
	152	377.5	434.5	DK-QM152/2.5-377.5	2	PNP	0.3-3m
	160	397.5	454.5	DK-QM160/2.5-397.5	2	PNP	0.3-3m
	168	417.5	474.5	DK-QM168/2.5-417.5	2	PNP	0.3-3m
	176	437.5	494.5	DK-QM176/2.5-437.5	2	PNP	0.3-3m
	184	457.5	514.5	DK-QM184/2.5-457.5	2	PNP	0.3-3m
	192	477.5	534.5	DK-QM192/2.5-477.5	2	PNP	0.3-3m
	200	497.5	554.5	DK-QM200/2.5-497.5	2	PNP	0.3-3m
	208	517.5	574.5	DK-QM208/2.5-517.5	2	PNP	0.3-3m
	216	537.5	594.5	DK-QM216/2.5-537.5	2	PNP	0.3-3m
224	557.5	614.5	DK-QM224/2.5-557.5	2	PNP	0.3-3m	
232	577.5	634.5	DK-QM232/2.5-577.5	2	PNP	0.3-3m	
240	597.5	654.5	DK-QM240/2.5-597.5	2	PNP	0.3-3m	
248	617.5	674.5	DK-QM248/2.5-617.5	2	PNP	0.3-3m	
...	2	PNP	0.3-3m
304	757.5	814.5	DK-QM304/2.5-757.5	2	PNP	0.3-3m	
312	777.5	834.5	DK-QM312/2.5-777.5	2	PNP	0.3-3m	
320	797.5	854.5	DK-QM320/2.5-797.5	2	PNP	0.3-3m	

2. DK-QM 5mm series



Remarks

L: Total length of light screen
 $L = 15 + 2.5 + H + 27 + 15$

H: Height of protected area
 $H = (n - 1) * 5$

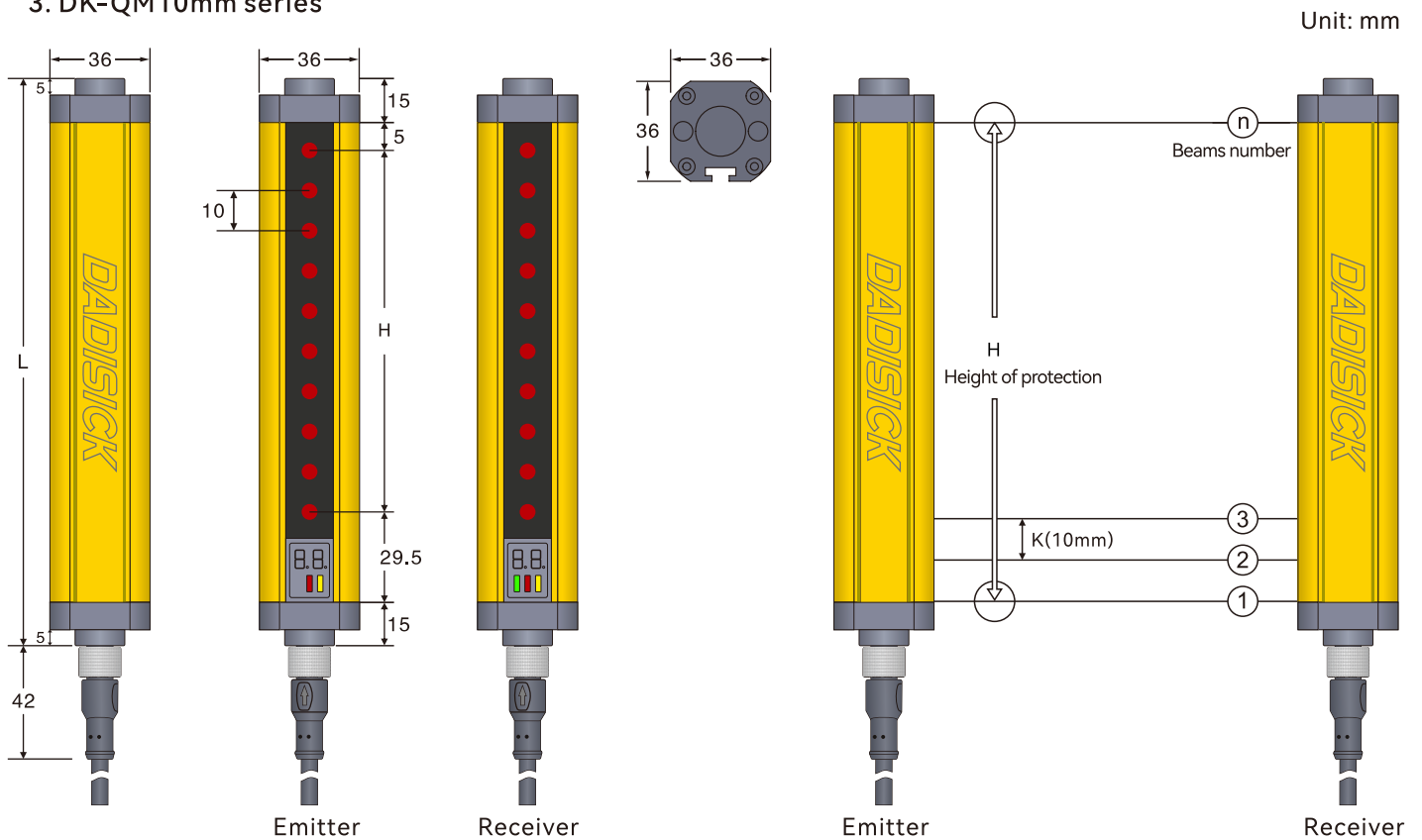
K: Resolution ratio

n: Beams number

DK-QM 5mm specification list

Resolution	Light beam	Protection height (H)	Total height (L)	Product model	Signal output mode		Detection range
					Two outputs	PNP output	
5mm (K)	16	75	134.5	DK-QM16/5-75	2	PNP	0.3-3m
	24	115	174.5	DK-QM24/5-115	2	PNP	0.3-3m
	32	155	214.5	DK-QM32/5-155	2	PNP	0.3-3m
	40	195	254.5	DK-QM40/5-195	2	PNP	0.3-3m
	48	235	294.5	DK-QM48/5-235	2	PNP	0.3-3m
	56	275	334.5	DK-QM56/5-275	2	PNP	0.3-3m
	64	315	374.5	DK-QM64/5-315	2	PNP	0.3-3m
	72	355	414.5	DK-QM72/5-355	2	PNP	0.3-3m
	80	395	454.5	DK-QM80/5-395	2	PNP	0.3-3m
	88	435	494.5	DK-QM88/5-435	2	PNP	0.3-3m
	96	475	534.5	DK-QM96/5-475	2	PNP	0.3-3m
	104	515	574.5	DK-QM104/5-515	2	PNP	0.3-3m
	112	555	614.5	DK-QM112/5-555	2	PNP	0.3-3m
	120	595	654.5	DK-QM120/5-595	2	PNP	0.3-3m
	128	635	694.5	DK-QM128/5-635	2	PNP	0.3-3m
	136	675	734.5	DK-QM136/5-675	2	PNP	0.3-3m
	144	715	774.5	DK-QM144/5-715	2	PNP	0.3-3m
	152	755	814.5	DK-QM152/5-755	2	PNP	0.3-3m
	160	795	854.5	DK-QM160/5-795	2	PNP	0.3-3m
	168	835	894.5	DK-QM168/5-835	2	PNP	0.3-3m
	176	875	934.5	DK-QM176/5-875	2	PNP	0.3-3m
	184	915	974.5	DK-QM184/5-915	2	PNP	0.3-3m
	192	955	1014.5	DK-QM192/5-955	2	PNP	0.3-3m
	200	995	1054.5	DK-QM200/5-995	2	PNP	0.3-3m
208	1035	1094.5	DK-QM208/5-1035	2	PNP	0.3-3m	
216	1075	1134.5	DK-QM216/5-1075	2	PNP	0.3-3m	
224	1115	1174.5	DK-QM224/5-1115	2	PNP	0.3-3m	
232	1155	1214.5	DK-QM232/5-1155	2	PNP	0.3-3m	
...	2	PNP	0.3-3m
304	1515	1574.5	DK-QM304/5-1515	2	PNP	0.3-3m	
312	1555	1614.5	DK-QM312/5-1555	2	PNP	0.3-3m	
320	1595	1654.5	DK-QM320/5-1595	2	PNP	0.3-3m	

3. DK-QM10mm series



Remarks

L: Total length of light screen
 $L = 15 + 5 + H + 29.5 + 15$

H: Height of protected area
 $H = (n - 1) * 10$

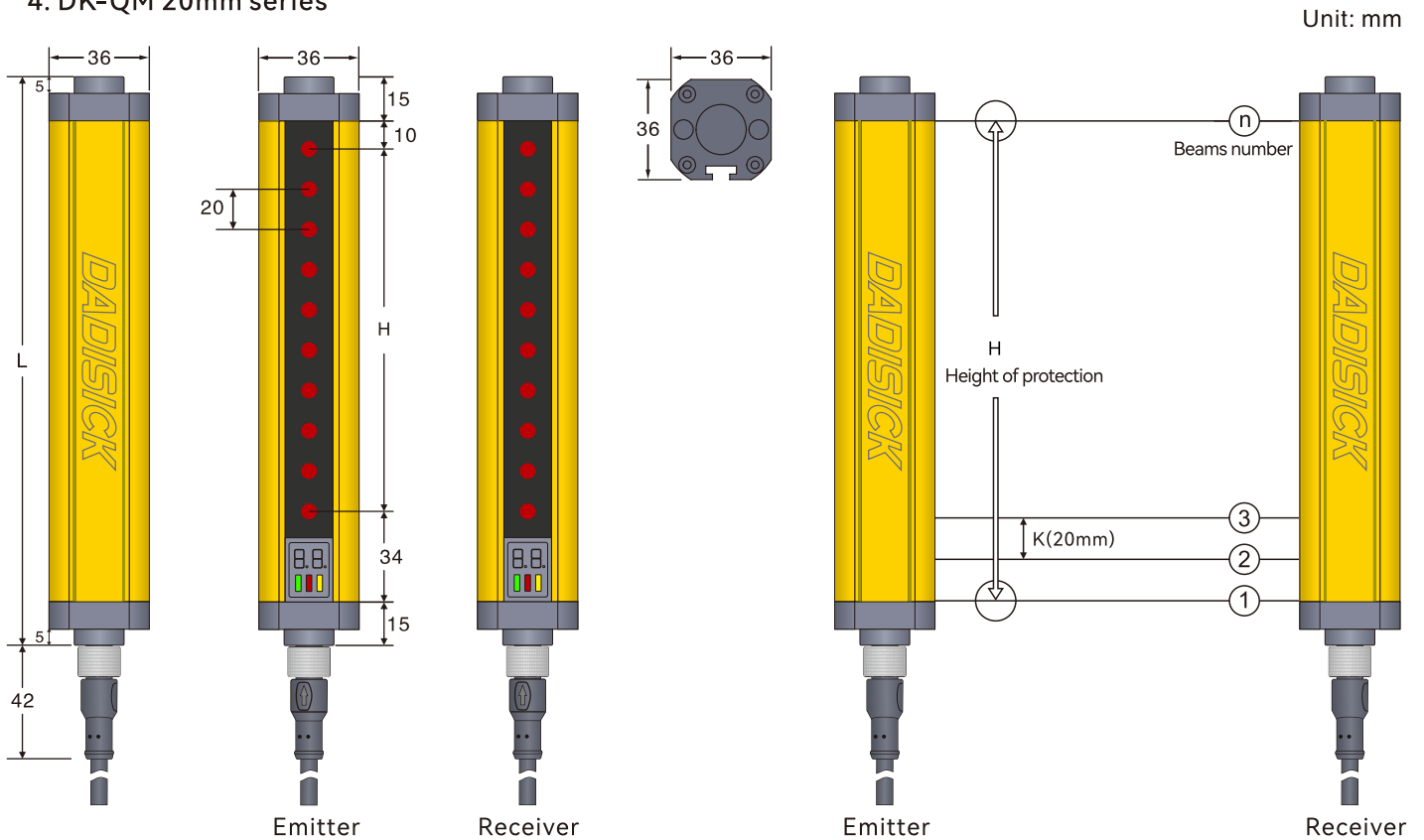
K: Resolution ratio

n: Beams number

DK-QM 10mm specification list

Resolution	Light beam	Protection height (H)	Total height (L)	Product model	Signal output mode		Detection range
					Two outputs	PNP output	
10mm (K)	8	70	134.5	DK-QM08/10-70	2	PNP	0.3-6m
	10	90	154.5	DK-QM10/10-90	2	PNP	0.3-6m
	12	110	174.5	DK-QM12/10-110	2	PNP	0.3-6m
	14	130	194.5	DK-QM14/10-140	2	PNP	0.3-6m
	16	150	214.5	DK-QM16/10-150	2	PNP	0.3-6m
	18	170	234.5	DK-QM18/10-170	2	PNP	0.3-6m
	20	190	254.5	DK-QM20/10-190	2	PNP	0.3-6m
	22	210	274.5	DK-QM22/10-210	2	PNP	0.3-6m
	24	230	294.5	DK-QM24/10-230	2	PNP	0.3-6m
	26	250	314.5	DK-QM26/10-250	2	PNP	0.3-6m
	28	270	334.5	DK-QM28/10-270	2	PNP	0.3-6m
	30	290	354.5	DK-QM30/10-290	2	PNP	0.3-6m
	32	310	374.5	DK-QM32/10-310	2	PNP	0.3-6m
	34	330	394.5	DK-QM34/10-330	2	PNP	0.3-6m
	36	350	414.5	DK-QM36/10-350	2	PNP	0.3-6m
	38	370	434.5	DK-QM38/10-370	2	PNP	0.3-6m
	40	390	454.5	DK-QM40/10-390	2	PNP	0.3-6m
	42	410	474.5	DK-QM42/10-410	2	PNP	0.3-6m
	44	430	494.5	DK-QM44/10-430	2	PNP	0.3-6m
	46	450	514.5	DK-QM46/10-450	2	PNP	0.3-6m
	48	470	534.5	DK-QM48/10-470	2	PNP	0.3-6m
	50	490	554.5	DK-QM50/10-490	2	PNP	0.3-6m
	52	510	574.5	DK-QM52/10-510	2	PNP	0.3-6m
	54	530	594.5	DK-QM54/10-530	2	PNP	0.3-6m
	56	550	614.5	DK-QM56/10-550	2	PNP	0.3-6m
	58	570	634.5	DK-QM58/10-570	2	PNP	0.3-6m
	60	590	654.5	DK-QM60/10-590	2	PNP	0.3-6m
	62	610	674.5	DK-QM62/10-610	2	PNP	0.3-6m
...	2	PNP	0.3-6m
396	3950	4014.5	4014.5	DK-QM396/10-3950	2	PNP	0.3-6m
398	3970	4034.5	4034.5	DK-QM398/10-3970	2	PNP	0.3-6m
400	3990	4054.5	4054.5	DK-QM400/10-3990	2	PNP	0.3-6m

4. DK-QM 20mm series



Remarks

L: Total length of light screen

H: Height of protected area

K: Resolution ratio

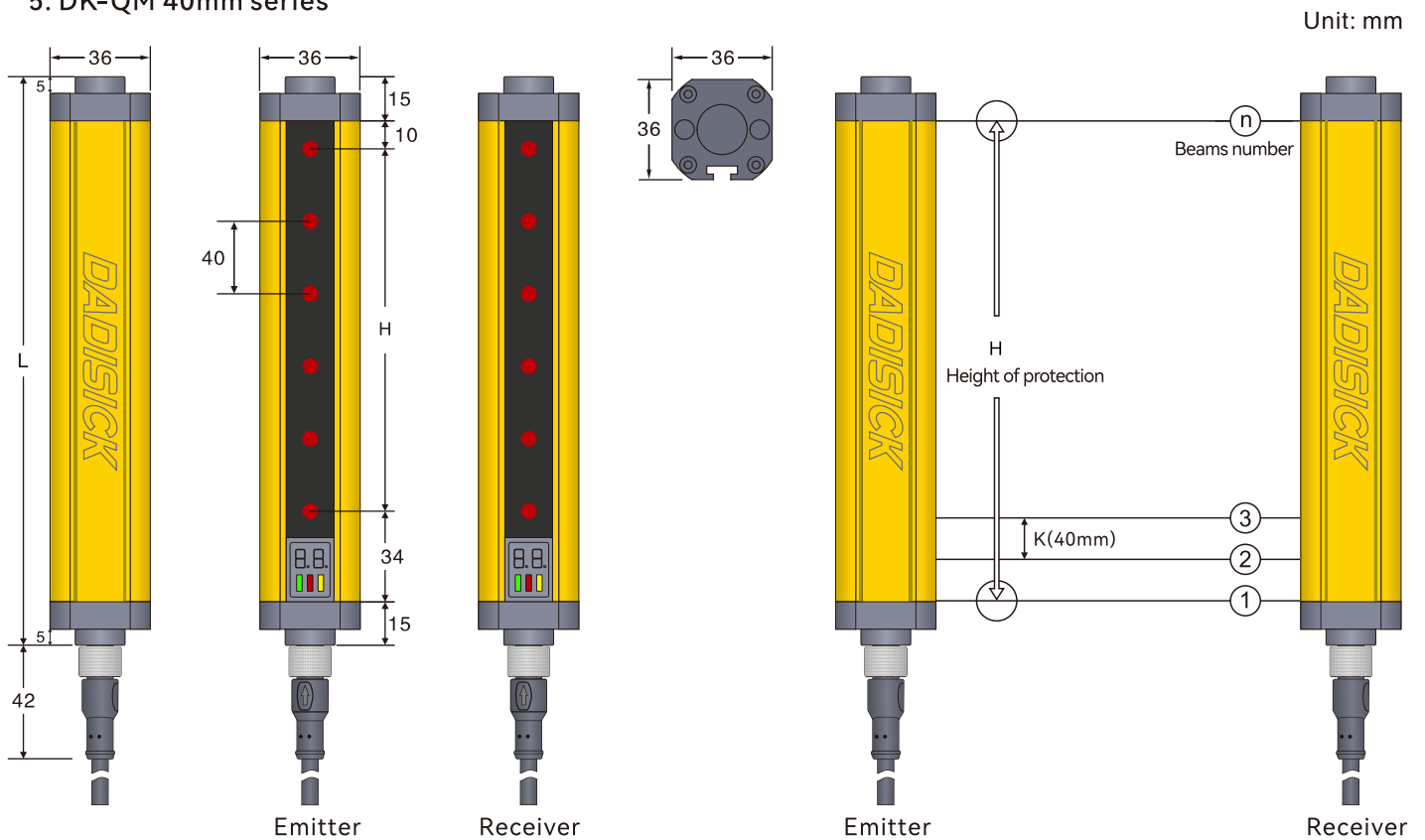
n: Beams number

 $L = 15 + 10 + H + 34 + 15$ $H = (n - 1) * 20$

DK-QM 20mm specification list

Resolution	Light beam	Protection height (H)	Total height (L)	Product model	Signal output mode		Detection range
					Two outputs	PNP output	
20mm (K)	4	60	134	DK-QM04/20-60	2	PNP	0.3-6m
	6	100	174	DK-QM06/20-100	2	PNP	0.3-6m
	8	140	214	DK-QM08/20-140	2	PNP	0.3-6m
	10	180	254	DK-QM10/20-180	2	PNP	0.3-6m
	12	220	294	DK-QM12/20-220	2	PNP	0.3-6m
	14	260	334	DK-QM14/20-260	2	PNP	0.3-6m
	16	300	374	DK-QM16/20-300	2	PNP	0.3-6m
	18	340	414	DK-QM18/20-340	2	PNP	0.3-6m
	20	380	454	DK-QM20/20-380	2	PNP	0.3-6m
	22	420	494	DK-QM22/20-420	2	PNP	0.3-6m
	24	460	534	DK-QM24/20-460	2	PNP	0.3-6m
	26	500	574	DK-QM26/20-500	2	PNP	0.3-6m
	28	540	614	DK-QM28/20-540	2	PNP	0.3-6m
	30	580	654	DK-QM30/20-580	2	PNP	0.3-6m
	32	620	694	DK-QM32/20-620	2	PNP	0.3-6m
	34	660	734	DK-QM34/20-660	2	PNP	0.3-6m
	36	700	774	DK-QM36/20-700	2	PNP	0.3-6m
	38	740	814	DK-QM38/20-740	2	PNP	0.3-6m
	40	780	854	DK-QM40/20-780	2	PNP	0.3-6m
	42	820	894	DK-QM42/20-820	2	PNP	0.3-6m
44	860	934	DK-QM44/20-860	2	PNP	0.3-6m	
46	900	974	DK-QM46/20-900	2	PNP	0.3-6m	
48	940	1014	DK-QM48/20-940	2	PNP	0.3-6m	
50	980	1054	DK-QM50/20-980	2	PNP	0.3-6m	
52	1020	1094	DK-QM52/20-1020	2	PNP	0.3-6m	
54	1060	1134	DK-QM54/20-1060	2	PNP	0.3-6m	
56	1100	1174	DK-QM56/20-1100	2	PNP	0.3-6m	
58	1140	1214	DK-QM58/20-1140	2	PNP	0.3-6m	
60	1180	1254	DK-QM60/20-1180	2	PNP	0.3-6m	
62	1220	1294	DK-QM62/20-1220	2	PNP	0.3-6m	
64	1260	1334	DK-QM64/20-1260	2	PNP	0.3-6m	
...	2	PNP	0.3-6m
196	3900	3974	DK-QM196/20-3900	2	PNP	0.3-6m	
198	3940	4014	DK-QM198/20-3940	2	PNP	0.3-6m	
200	3980	4054	DK-QM200/20-3980	2	PNP	0.3-6m	

5. DK-QM 40mm series



Remarks

L: Total length of light screen

H: Height of protected area

K: Resolution ratio

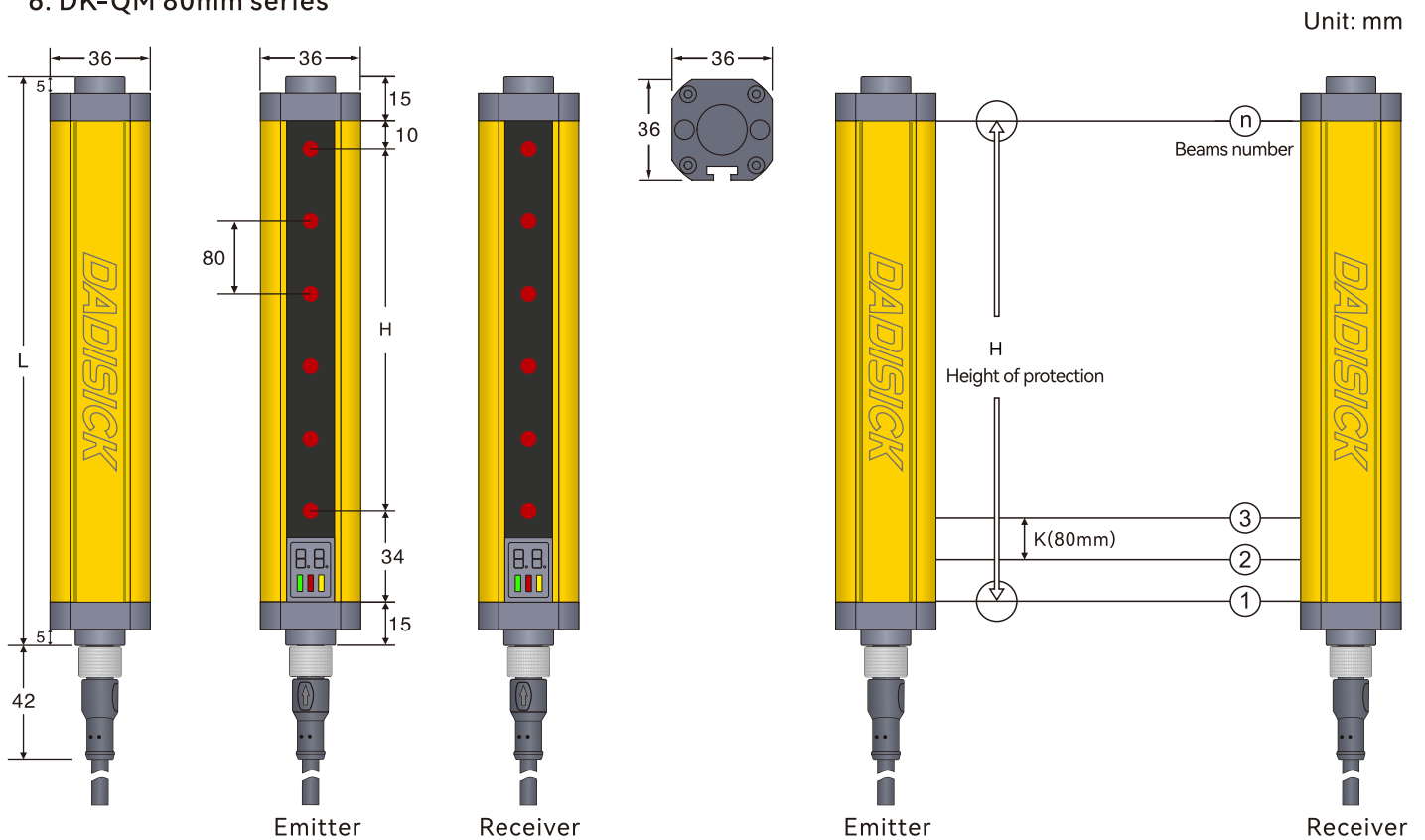
n: Beams number

 $L = 15 + 10 + H + 34 + 15$ $H = (n - 1) * 40$

DK-QM 40mm specification list

Resolution	Light beam	Protection height (H)	Total height (L)	Product model	Signal output mode		Detection range
					Two outputs	PNP output	
40mm (K)	4	120	194	DK-QM04/40-120	2	PNP	0.3-6m
	6	200	274	DK-QM06/40-200	2	PNP	0.3-6m
	8	280	354	DK-QM08/40-280	2	PNP	0.3-6m
	10	360	434	DK-QM10/40-360	2	PNP	0.3-6m
	12	440	514	DK-QM12/40-440	2	PNP	0.3-6m
	14	520	594	DK-QM14/40-520	2	PNP	0.3-6m
	16	600	674	DK-QM16/40-600	2	PNP	0.3-6m
	18	680	754	DK-QM18/40-680	2	PNP	0.3-6m
	20	760	834	DK-QM20/40-760	2	PNP	0.3-6m
	22	840	914	DK-QM22/40-840	2	PNP	0.3-6m
	24	920	994	DK-QM24/40-920	2	PNP	0.3-6m
	26	1000	1074	DK-QM26/40-1000	2	PNP	0.3-6m
	28	1080	1154	DK-QM28/40-1080	2	PNP	0.3-6m
	30	1160	1234	DK-QM30/40-1160	2	PNP	0.3-6m
	32	1240	1314	DK-QM32/40-1240	2	PNP	0.3-6m
	34	1320	1394	DK-QM34/40-1320	2	PNP	0.3-6m
	36	1400	1474	DK-QM36/40-1400	2	PNP	0.3-6m
	38	1480	1554	DK-QM38/40-1480	2	PNP	0.3-6m
	40	1560	1634	DK-QM40/40-1560	2	PNP	0.3-6m
	42	1640	1714	DK-QM42/40-1640	2	PNP	0.3-6m
44	1720	1794	DK-QM44/40-1720	2	PNP	0.3-6m	
46	1800	1874	DK-QM46/40-1800	2	PNP	0.3-6m	
48	1880	1954	DK-QM48/40-1880	2	PNP	0.3-6m	
50	1960	2034	DK-QM50/40-1960	2	PNP	0.3-6m	
52	2040	2114	DK-QM52/40-2040	2	PNP	0.3-6m	
54	2120	2194	DK-QM54/40-2120	2	PNP	0.3-6m	
56	2200	2274	DK-QM56/40-2200	2	PNP	0.3-6m	
58	2280	2354	DK-QM58/40-2280	2	PNP	0.3-6m	
60	2360	2434	DK-QM60/40-2360	2	PNP	0.3-6m	
62	2440	2514	DK-QM62/40-2440	2	PNP	0.3-6m	
64	2520	2594	DK-QM64/40-2520	2	PNP	0.3-6m	
...	2	PNP	0.3-6m
96	3800	3874	DK-QM96/40-3800	2	PNP	0.3-6m	
98	3880	3954	DK-QM98/40-3880	2	PNP	0.3-6m	
100	3960	4034	DK-QM100/40-3960	2	PNP	0.3-6m	

6. DK-QM 80mm series



Remarks

L: Total length of light screen

H: Height of protected area

K: Resolution ratio

n: Beams number

 $L = 15 + 10 + H + 34 + 15$ $H = (n - 1) * 80$

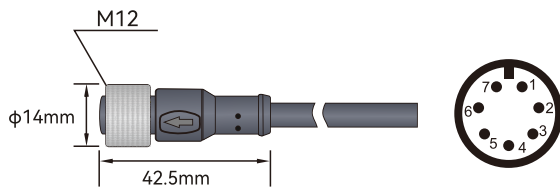
DK-QM 80mm specification list

Resolution	Light beam	Protection height (H)	Total height (L)	Product model	Signal output mode		Detection range
					Two outputs	PNP output	
80mm (K)	4	240	314	DK-QM04/80-240	2	PNP	0.3-6m
	6	400	474	DK-QM06/80-400	2	PNP	0.3-6m
	8	560	634	DK-QM08/80-560	2	PNP	0.3-6m
	10	720	794	DK-QM10/80-720	2	PNP	0.3-6m
	12	880	954	DK-QM12/80-880	2	PNP	0.3-6m
	14	1040	1114	DK-QM14/80-1040	2	PNP	0.3-6m
	16	1200	1274	DK-QM16/80-1200	2	PNP	0.3-6m
	18	1360	1434	DK-QM18/80-1360	2	PNP	0.3-6m
	20	1520	1594	DK-QM20/80-1520	2	PNP	0.3-6m
	22	1680	1754	DK-QM22/80-1680	2	PNP	0.3-6m
	24	1840	1914	DK-QM24/80-1840	2	PNP	0.3-6m
	26	2000	2074	DK-QM26/80-2000	2	PNP	0.3-6m
	28	2160	2234	DK-QM28/80-2160	2	PNP	0.3-6m
	30	2320	2394	DK-QM30/80-2320	2	PNP	0.3-6m
	32	2480	2554	DK-QM32/80-2480	2	PNP	0.3-6m
	34	2640	2714	DK-QM34/80-2640	2	PNP	0.3-6m
	36	2800	2874	DK-QM36/80-2800	2	PNP	0.3-6m
	38	2960	3034	DK-QM38/80-2960	2	PNP	0.3-6m
	40	3120	3194	DK-QM40/80-3120	2	PNP	0.3-6m
	42	3280	3354	DK-QM42/80-3280	2	PNP	0.3-6m
44	3440	3514	DK-QM44/80-3440	2	PNP	0.3-6m	
46	3600	3674	DK-QM46/80-3600	2	PNP	0.3-6m	
48	3760	3834	DK-QM48/80-3760	2	PNP	0.3-6m	
50	3920	3994	DK-QM50/80-3920	2	PNP	0.3-6m	

Electrical connection

Electrical interface	
Number of interfaces	2 (receiver and transmitter)
Type	M12 connector, 7-pin
Interface metal	Copper nickel plating
Plug material	GY384 gray 30P
Allowable typical conductor section	0.25mm ²
Maximum link cable	100m
Maximum allowable cable load	4.9A
Cable material	PVC

Cable description:



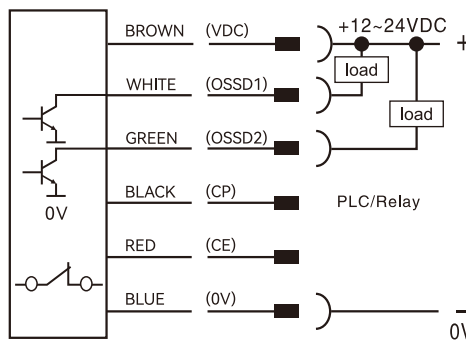
7-pin M12 cable connector straight
3m waterproof cable

Emitter Wiring diagram		
Pin number	Line color	Name
1	BROWN	24V DC
2	BLUE	0V
3	BLACK	CP
4	WHITE	NC
5	GREEN	NC
6	RED	CE
7	YELLOW	Ground wire

Receiver Wiring diagram		
Pin number	Line color	Name
1	BROWN	24V DC
2	BLUE	0V
3	BLACK	CP
4	WHITE	OSSD1
5	GREEN	OSSD2
6	RED	CE
7	YELLOW	Ground wire

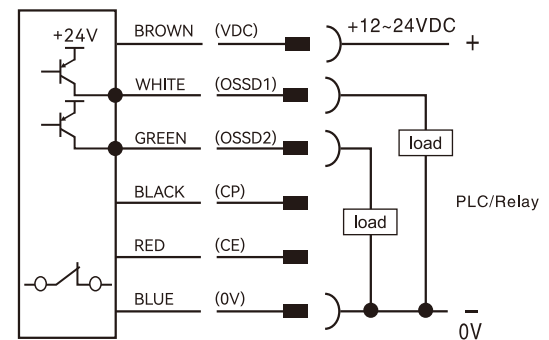
1. DK-QM signal output selection (actual output of transistor working normally)

NPN NC



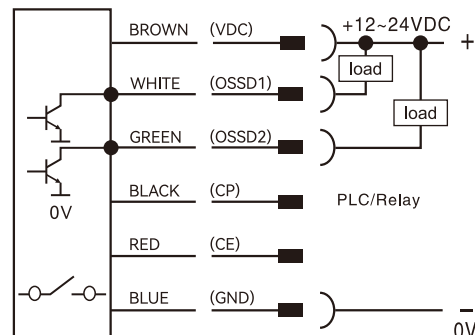
A

PNP NC



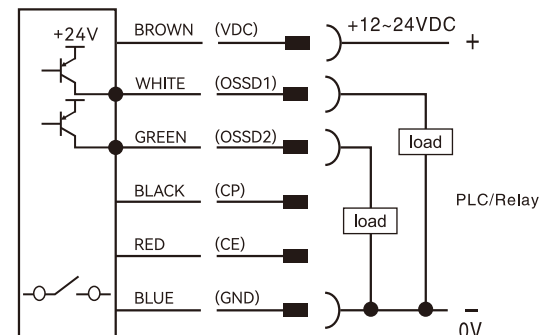
B

NPN NO



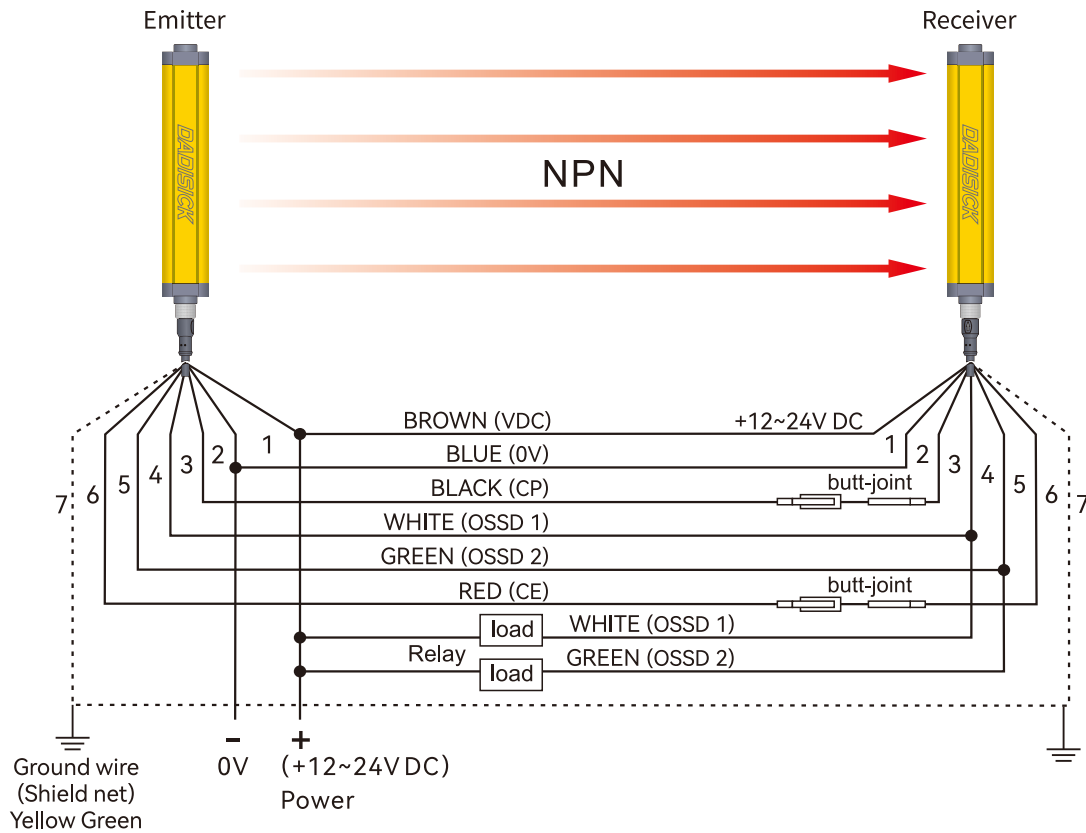
C

PNP NO



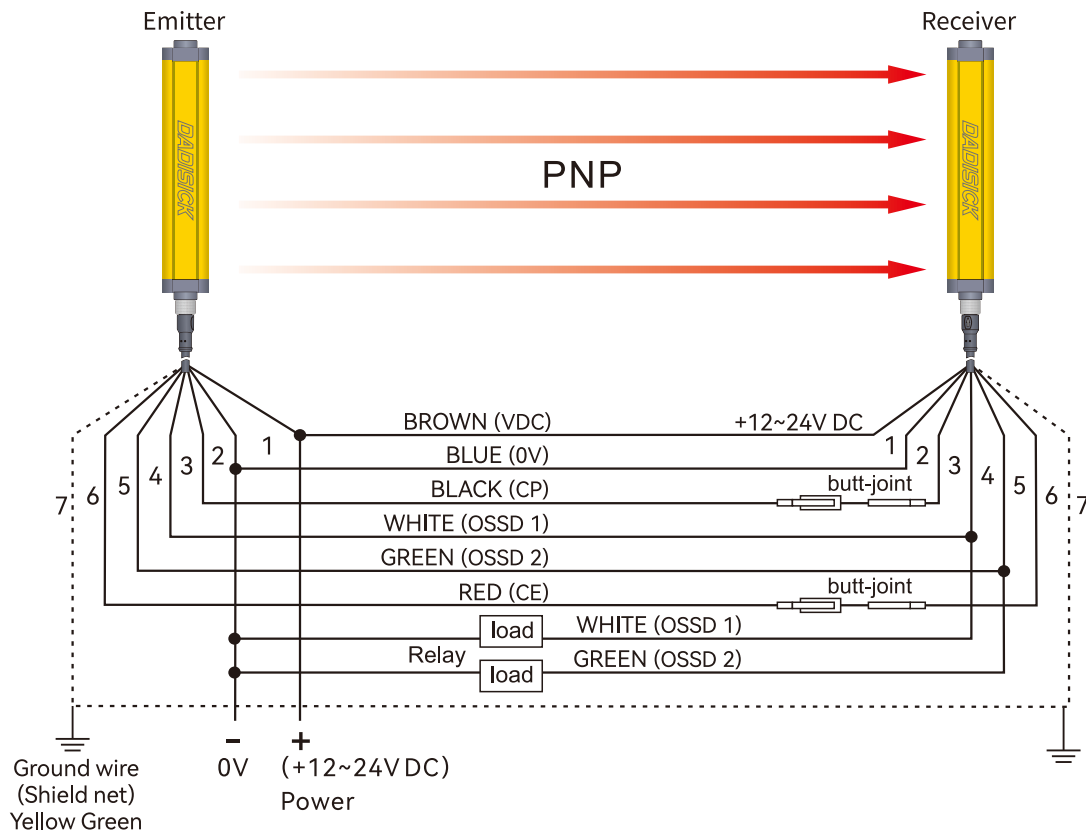
D

2. NPN output wiring diagram







This figure is an example of NPN double output 7-pin wiring.

3. PNP output wiring diagram

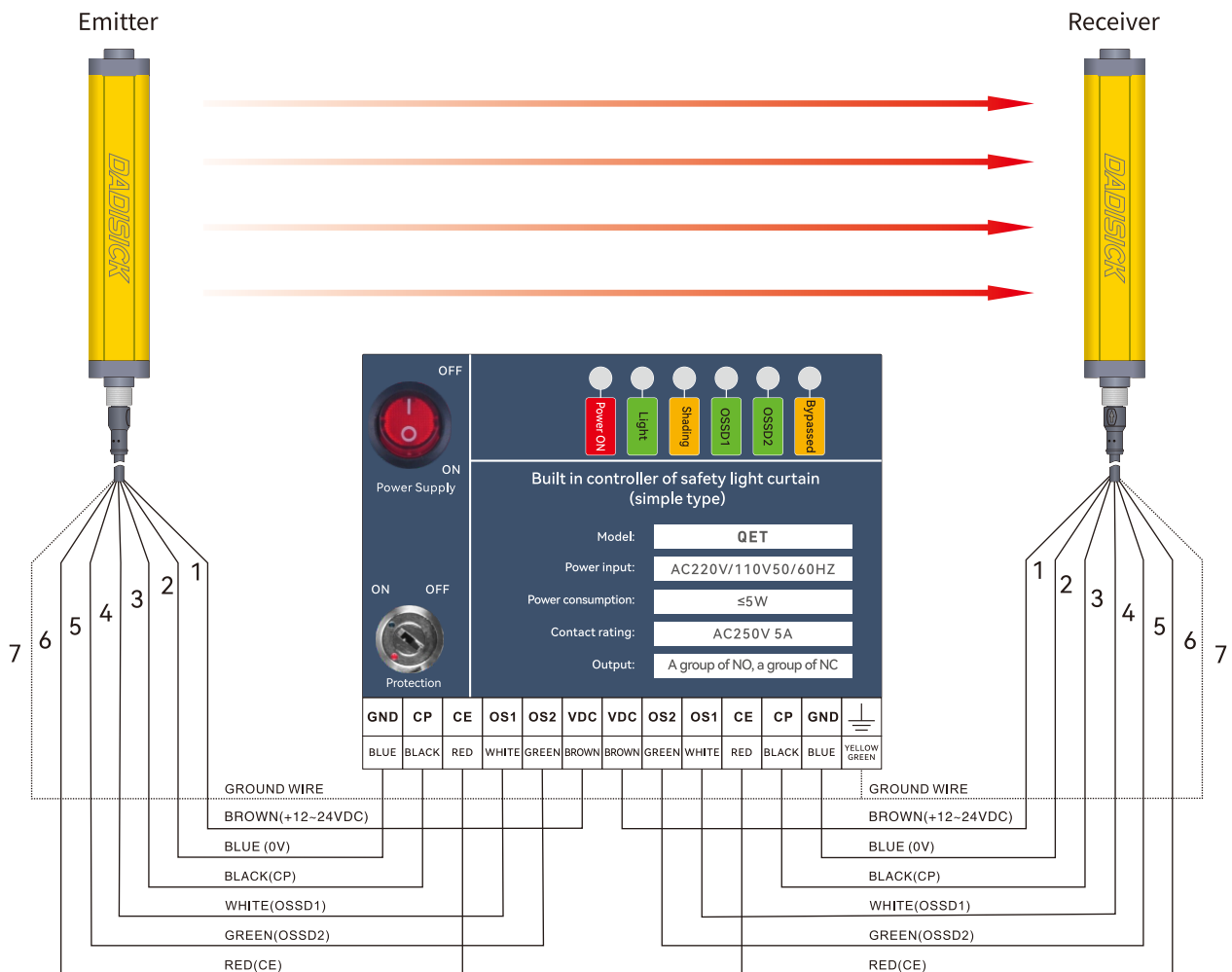


This figure is an example of PNP double output 7-pin wiring.

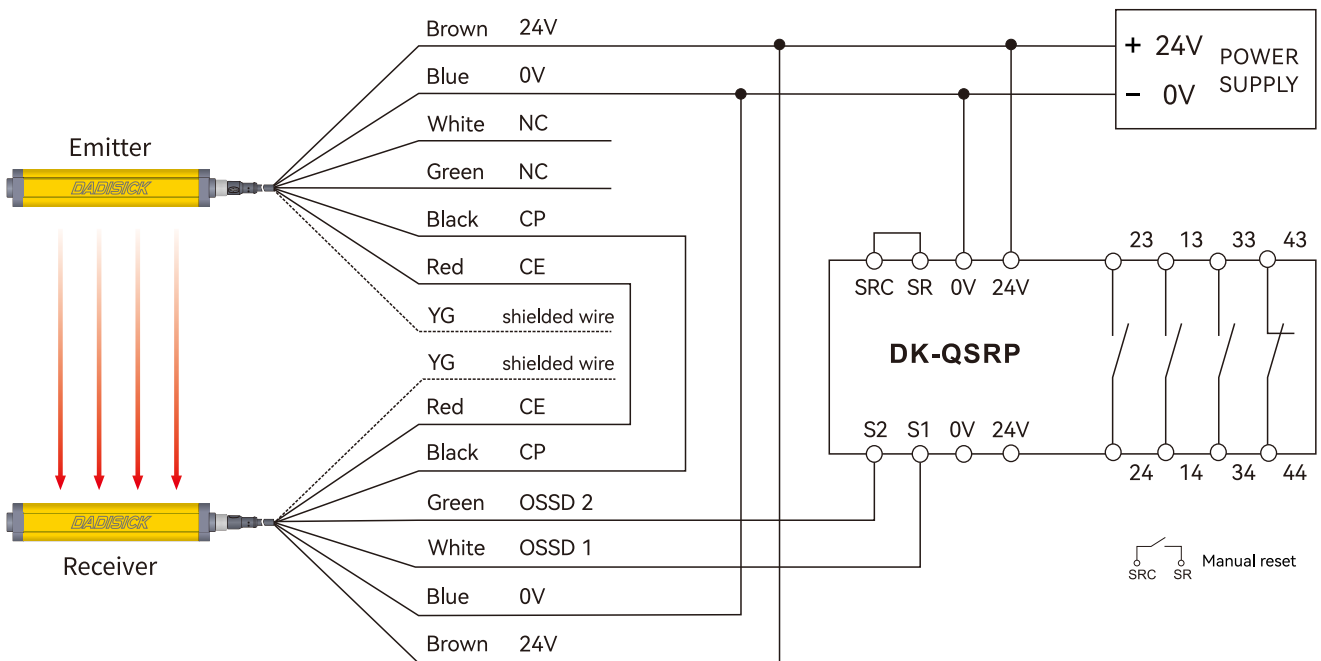
4. Selection of safety light curtain controller

Name	Order separately	Model	Descriptions
Built-in controller		QET	Used to monitor the signal processing of DK-QM series light curtain, and output one group of NO and one group of NC.
Safety relay		DK-QSRP	DK-QSRP safety relays have three groups of NO and one group of NC, with strong control capabilities. They are suitable for various signal monitoring in industrial places with high safety requirements, including emergency stop signals, safety door opening and closing signals, safety light curtain signals, and two-handed button signals.
Safety relay		DK-Ter-AP	Equipped with a mode switch, it can be used for most safety components, such as light curtains, safety switches, carpet contacts, two handed switches, etc. Automatic/manual reset paddles for quick configuration. Dual channel monitoring circuit, safe and reliable.
Light curtain relay		QET-1	Output conversion between NC and NO for DK-QM series light curtain.

4.1 Wiring diagram of QET built-in controller

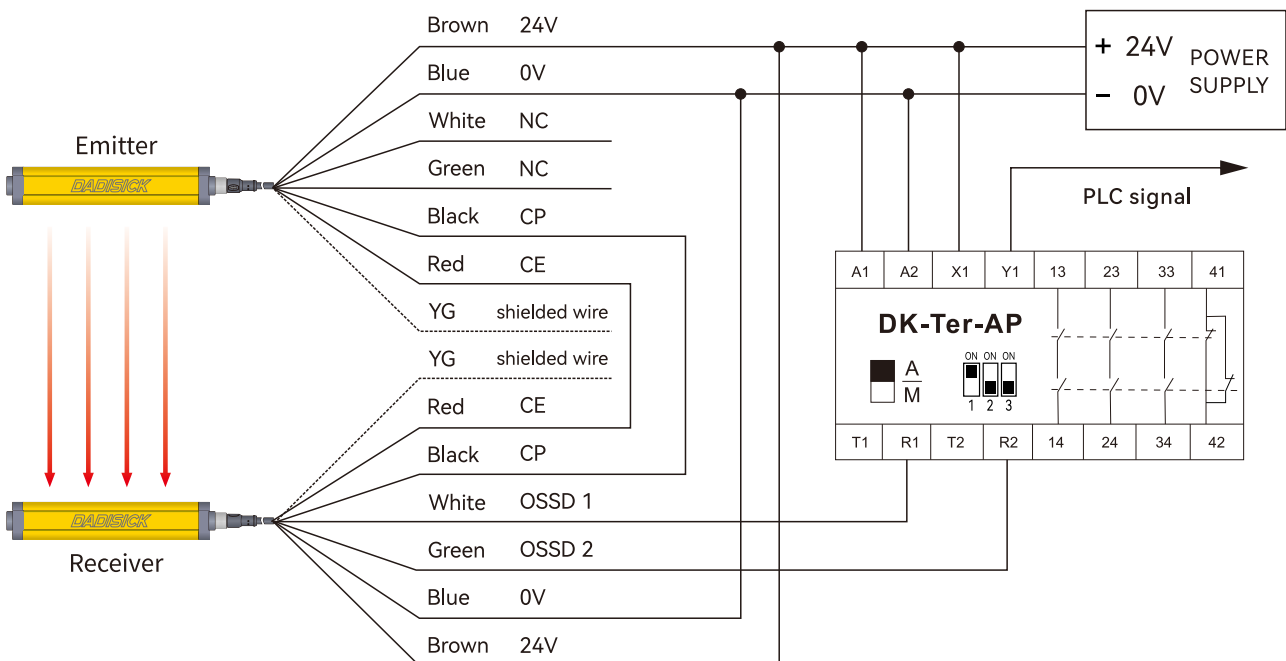


4.2 Wiring diagram of DK-QSRP safety relay

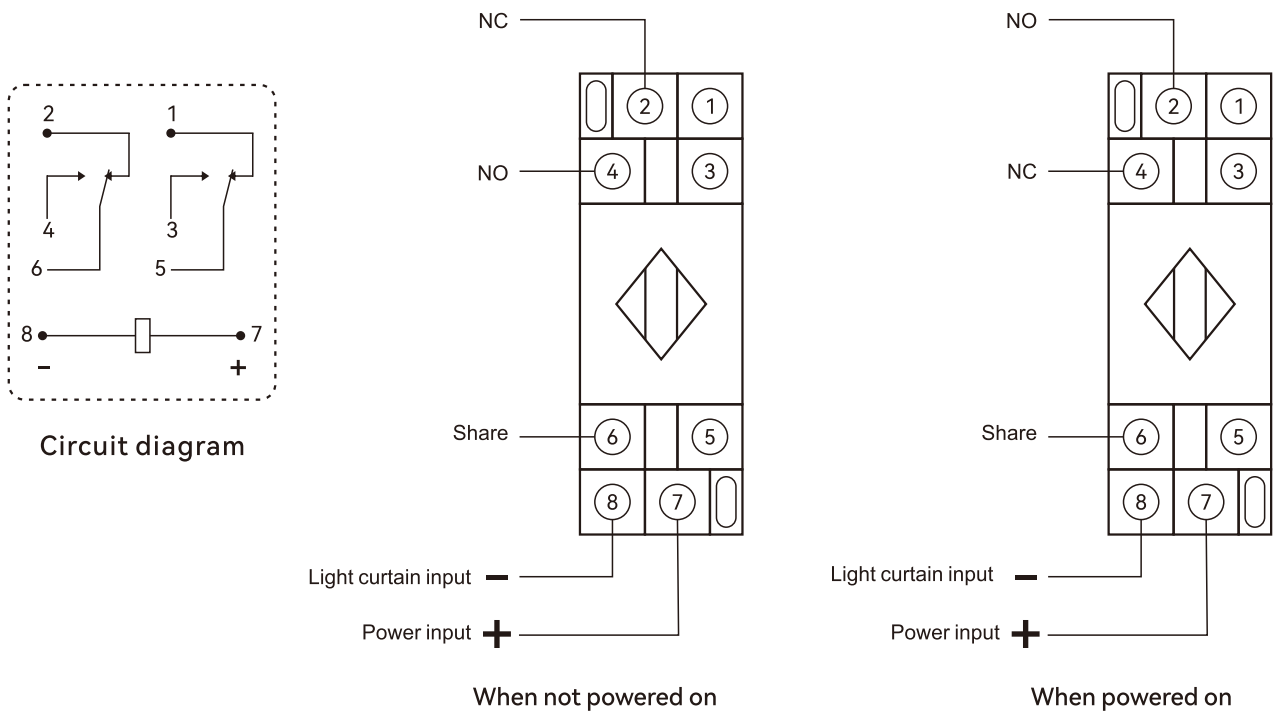


4.3 Wiring diagram of DK-Ter-AP safety relay

Dual channel light curtain PNP switch safety input, with automatic reset and PLC signal output.

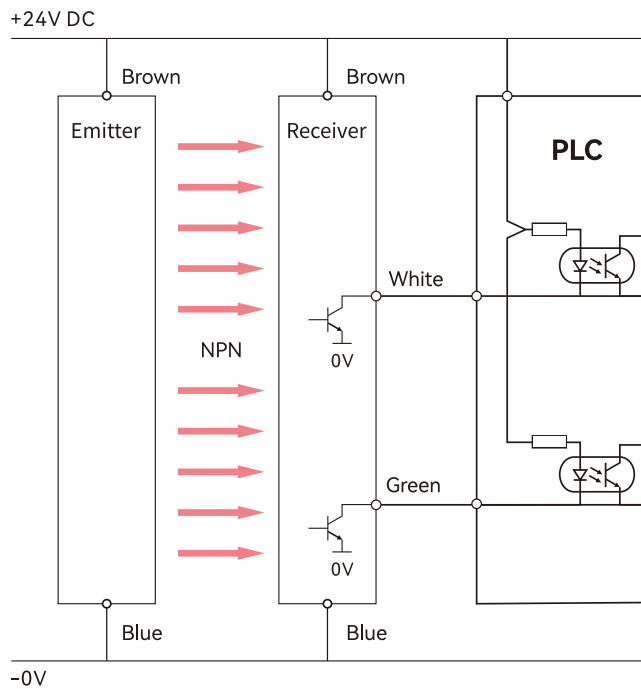


4.4 Wiring diagram of QET-1 light curtain relay

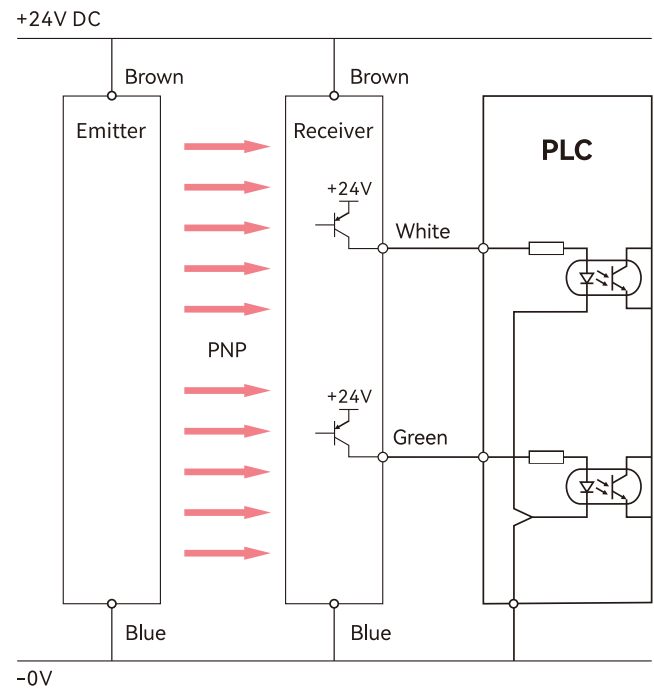


4.5 Wiring between light curtain and PLC and one-chip computer system

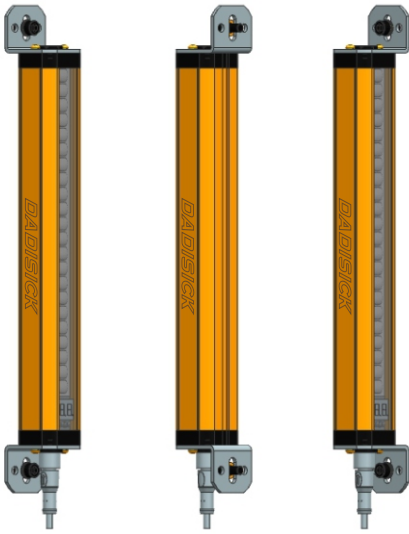
NPN wiring:



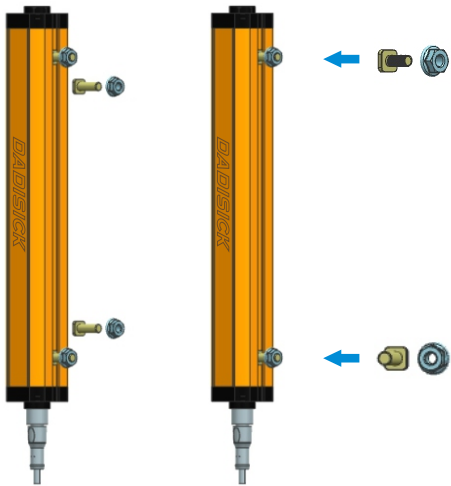
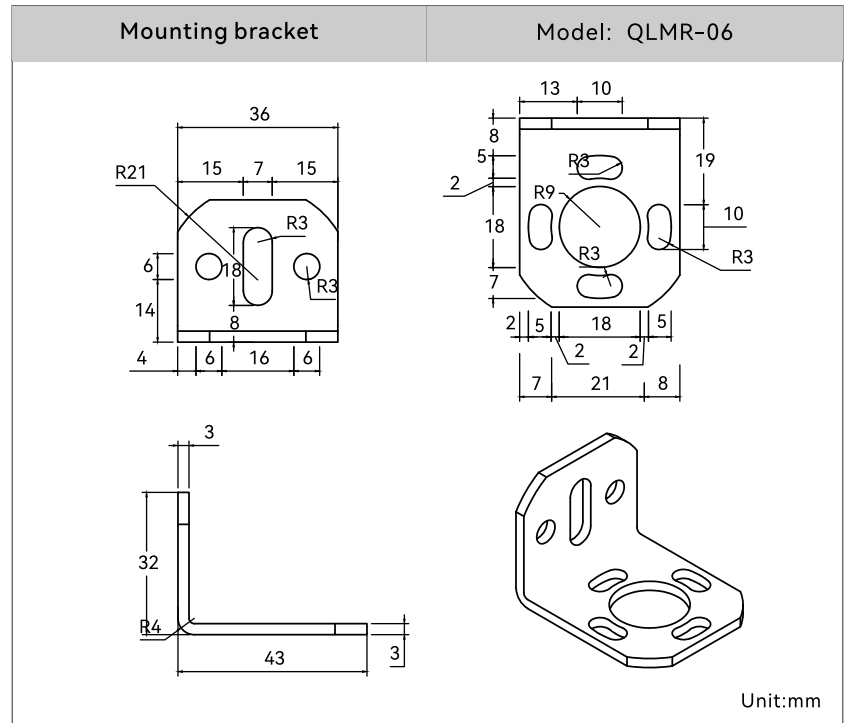
PNP wiring:



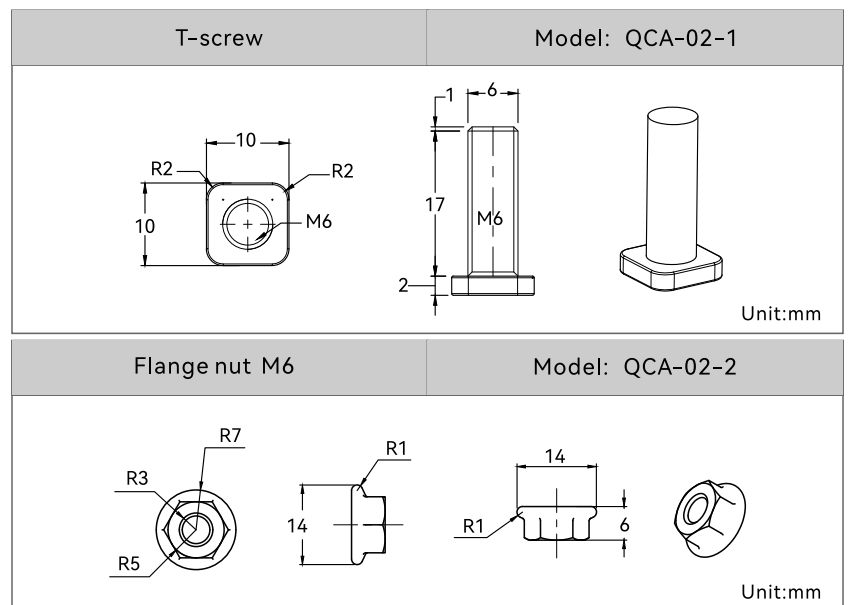
Accessories

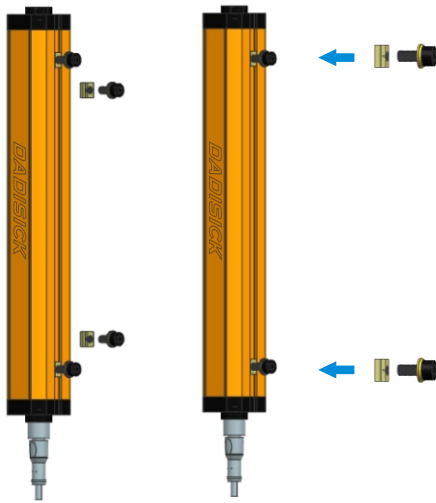


1. Installation of right angle brackets at both ends
(Original accessories)



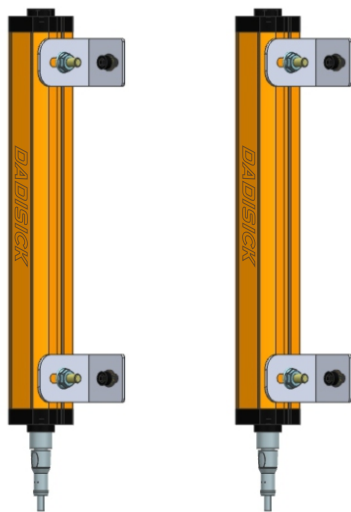
2. Installation method of T-shaped screws on the back
(Original accessories)





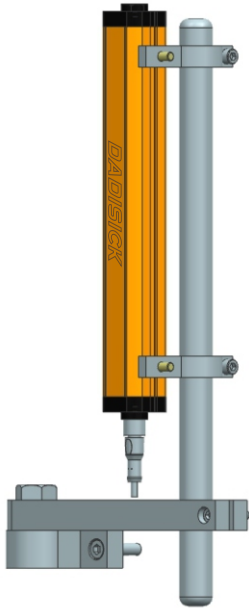
3. Installation method of convex nut
(Optional accessories)

Raised nut	Model: QCA-03-1
Unit:mm	
M5 screw	Model: QCA-03-2
Unit:mm	



4. Installation method of side right angle bracket
(Optional accessories)

Side mounting bracket	Model: QCA-05
Unit:mm	



5. Stainless steel bracket installation
(Order separately)

