

# TECHNICAL DATA SHEET

---

## Inductive Proximity Switches Proximity Sensors **Ultra Mini Series**

### Contents

- Functional Description
- Application Scenarios
- Technical Parameters
- Size Parameters
- Wiring Diagram



## Proximity sensors: solutions for multiple scenarios

Proximity sensors are widely used in many fields due to their non-contact detection, high accuracy and fast response.

### Inductive series for oil-resistant and corrosion-resistant machine tool industry

Many times we are faced with harsh operating environments, compact installation spaces, and conditions with both movement and corrosion during use, such as the machine tool manufacturing industry, which has such diverse needs - the number of materials, processes and molds involved is huge and varied. During the production process, cutting fluids and abrasives are required to process workpieces, so various sensor solutions that are not affected by harsh environmental conditions are required. dadisick's product series, which uses different manufacturing processes, can even provide fully suitable sensor solutions for high-speed applications or applications involving corrosive coolants and lubricants.



### All-metal integrated housing anti-washing series



Due to the stainless steel integrated housing, this series of sensors not only has good impact resistance, but also can withstand the corrosion of detergents and solvents. It can be used in environments that require frequent high-pressure washing, and can achieve long-term sealing that meets the IP69K protection level. At the same time, it is compatible with the installation method of conventional sensors, which can be replaced and replaced conveniently and practically. It includes a variety of models with a diameter of 8mm...30mm, all with direct cable output and M12 standard connector. Operating distance 2...8mm.

### Low-temperature -40°C inductive series for wind power generation

Wind power generation has become one of the world's recognized main clean energy generation methods because it does not require the use of fuel and does not produce radiation or air pollution. Different sensors are used in the operation of the variable pitch yaw generator reducer of the wind turbine to detect the correction of the control movement and rotation process. Most of the installation locations of wind turbines are in places with severe temperature changes such as mountains, oceans and plateaus, which require higher temperature environments for sensors. Our low-temperature -40°C product series launched for this use environment is perfectly adapted to the application here.



### Solutions for high-temperature series long-distance products in steelmaking and rolling



Steelmaking and rolling equipment produces complex oil, gas and water erosion and flushing sensors for various raw materials under high temperature of oil and gas in a high-temperature 2000° radiation environment, which puts higher requirements on the stability of sensors. In the position control detection of multiple processes of steel billets, coils and wires, DADISICK has a variety of series of products with high temperature resistance of 250°C, DC two-wire, AC 250V, etc., which are widely used in this complex environment to ensure normal production.

## Anti-welding slag adhesion, high temperature resistance and anti-interference series

Whether it is stamping, welding, painting, or assembly processes in automobile manufacturing, long distance, anti-welding slag adhesion, strong current magnetic field interference, or high temperature environment, DADISICK sensors can be used for fixtures, molds and other equipment. Reliable performance and perfect solutions bring a smooth production process to automobile manufacturing. In the welding of various high-current welding machines, the strong magnetic field interference generated by the current and the high-temperature heat conduction generated by the arc will affect the sensors in the fixture molds. Reliable performance products must be selected to ensure normal operation.



## All-metal integrated housing anti-washing series

A large number of intelligent warehousing and logistics facilities, such as AGV trolleys and rail-to-rail stackers, are equipped with our sensors to realize the control of rotating positioning and lifting devices, etc., providing very stable and durable high-reliability products. Under the high requirements of small installation space and long detection distance, this series of products is the best choice for customers with strict cost control. Choosing this series of products is the best choice for customers with strict cost control.

## High-pressure 1000Bar hydraulic cylinder series

The stable and reliable hydraulic cylinder telescopic more often uses DADISICK's inductive proximity sensors with a high pressure resistance of up to 1000Bar to achieve the control of the origin. Ceramic chips are used as high-voltage products at the induction level and stainless steel integrated housings are used to achieve high-pressure resistant applications. DC10-30V two-wire and three-wire products are also provided.



## Analog output series for position correction and control devices



In detecting the offset position of the controlled parts of the fixture, analog output proximity sensors are often used in wire reel correction, and the size of the offset is controlled by the size of the detection distance. This use can be installed and tested in a very small position space. We have successfully provided stable and accurate products for many parts manufacturers and wire rope winding equipment, including 0-10V voltage output and 4-20mA current output and current + voltage output products. The detectable distance can be adjusted between 0-50mm.

## Shoemaking, textile and papermaking machinery series products

Whichever manufacturer of shoemaking machines, textile machines and papermaking machines has long equipped the mechanical equipment they produce with more automated operation technologies, these control technologies are also equipped with high-quality sensors to achieve their control conditions. They require products with higher switching frequency accuracy and better stability, and they need a variety of products with unconventional dimensions. We tailor new outer shell dimensions for them one by one to meet their needs.



# Proximity Sensor Model Specifications

L R 1 2 0 5 N C Z A A 3 A (LR12-05NC-ZAA-3A)

**Short circuit protection:**  
 A: Standard type with short circuit protection  
 M: Short type with short circuit protection  
 S: Standard type without short circuit protection  
 R: Ultra short type with short circuit protection

**Wiring method:**  
 2: 2-wire                      5: 5-wire type  
 3: 3-wire                      E: M8 connector  
 4: 4-wire                      T: M12 connector

**Voltage:**  
 A:DC10-30V                  B:DC5-36V                  C:DC10-55V                  D:DC10-60V  
 E:DC18-30V                  F:DC6-12V                  G:AC20-250V                  H:AC/DC20-250V

**Installation method:** A: Shielded B: Non-shielded

**Connection method:** Y: Plug-in type Z: Cable type

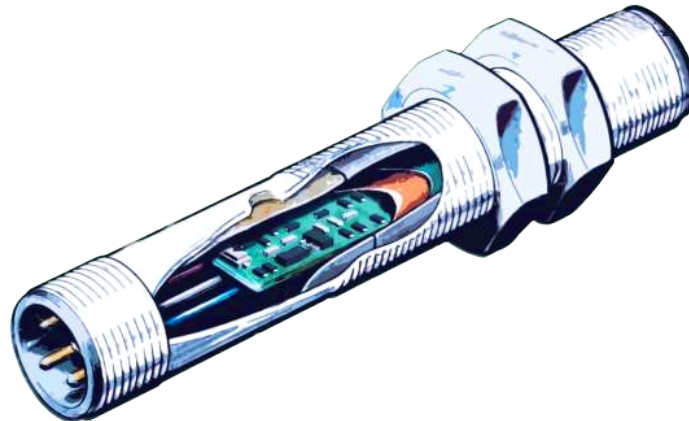
**Output mode:**  
 NC: NPN NC;                      NO: NPN NO  
 PC: PNP NC;                      PO: PNP NO  
 HC: DC two-wire NC;              HO: DC two-wire NO  
 AC: AC two-wire NC;              AO: AC two-wire NO  
 I: analog current;                  U: analog voltage  
 V: Current + voltage output      NA: Explosion-proof type

**Detection distance:** 0.6mm-18mm

**Specification(mm):** φ3, φ4, M4, M5, M6.5, M8, M12, M18, M30

**Type:**  
 R: Standard type;  
 X: Ultra-small;  
 B: Explosion-proof type;  
 J: All-metal type;  
 P: High-pressure resistant type;  
 G: High-temperature resistant;  
 Z: Low-temperature resistant type;  
 C: Limit switch type;  
 D: Anti-welding slag and high-magnetic type;  
 F: Corrosion-resistant type;  
 A: Analog type;  
 I: Ring type;  
 E: Square type

**Series:**  
 L: Inductive sensor  
 C: Capacitive sensor



## Ultra Mini Series

### Proximity sensors

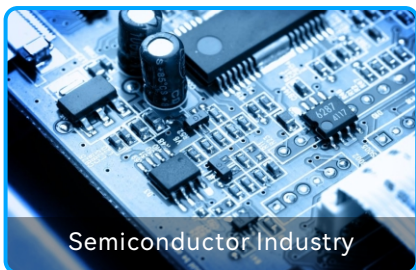
This series features ultra-compact size, long detection distance, and ultra-high precision. It is ideal for small-sized precision instruments and equipment.

### Features:

- Compact Size: Perfect for space-constrained applications.
- Long Detection Distance: Exceeds industry standards (0.6-1.5mm).
- Ultra-high Precision: Ensures accurate detection.
- Specifications (mm):  $\phi 3$ ,  $\phi 4$ , M4, M5, Square
- Switch Frequency: 2-3KHZ.
- Certifications: CE and ROHS compliant.

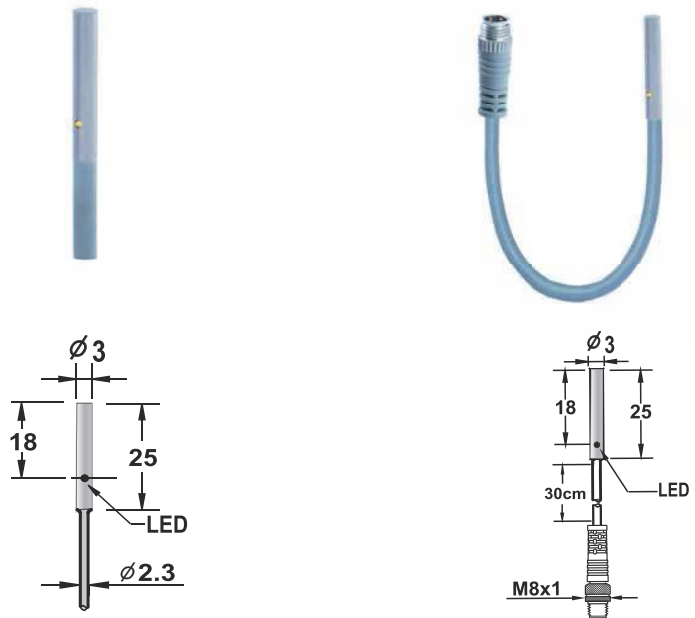


## Application Industry



# Product Parameters

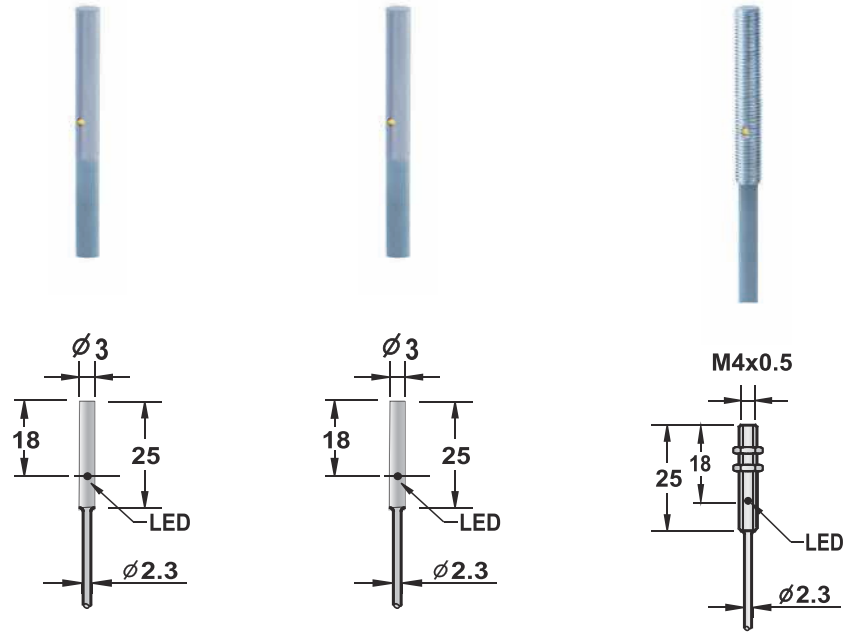
## Ultra Mini Series



Size category	Ø3	Ø3
<input checked="" type="radio"/> Shielded <input type="radio"/> Non-shielded <input checked="" type="radio"/> Semi-shielded	<input checked="" type="radio"/>	<input checked="" type="radio"/>
Sn: mm	0.6 mm	0.6 mm
Shell material	Stainless steel	Stainless steel
<input checked="" type="radio"/> LED display <input type="radio"/> No LED display	<input checked="" type="radio"/>	<input checked="" type="radio"/>
Operating voltage	10-30VDC	10-30VDC
Allowable pulsating voltage	<10%	<10%
No-load current	<10mA	<10mA
Maximum load current	100mA	100mA
Leakage current	<0.01mA	<0.01mA
Voltage drop	<1.5V	<1.5V
Switching frequency	2KHZ	2KHZ
Response time	0.1ms	0.1ms
Switching hysteresis	<15%(Sr)	<15%(Sr)
Repeat accuracy	<1.0%(Sr)	<1.0%(Sr)
Protection level	IP67	IP67
Operating temperature	-25°C - +70°C	-25°C - +70°C
Temperature drift	<10%(Sr)	<10%(Sr)
Short circuit protection/reverse polarity protection	Yes	Yes
Overload protection current	120mA	120mA
Sensing surface material	PBT	PBT
Connection method	2m oil-proof TPU cable 2.3 φ 3x0.15	0.3m oil-proof TPU cable 2.3 φ 3x0.15+M8 Connectors
Product Model		
DC 3 line 10-30V NPN NO	LX03-0.6NO-ZAA-3A	LX03-0.6NO-ZAA-EA
DC 3 line 10-30V NPN NC	LX03-0.6NC-ZAA-3A	LX03-0.6NC-ZAA-EA
DC 3 line 10-30V PNP NO	LX03-0.6PO-ZAA-3A	LX03-0.6PO-ZAA-EA
DC 3 line 10-30V PNP NC	LX03-0.6PC-ZAA-3A	LX03-0.6PC-ZAA-EA

# Product Parameters

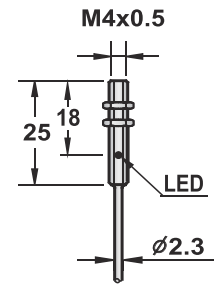
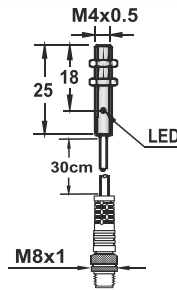
## Ultra Mini Series



Size category	ø3	ø3	M 4
● Shielded ○ Non-shielded ● Semi-shielded	●	○	●
Sn: mm	0.8 mm	1 mm	0.6 mm
Shell material	Stainless steel	Stainless steel	Stainless steel
● LED display ○ No LED display	●	●	●
Operating voltage	10-30VDC	10-30VDC	10-30VDC
Allowable pulsating voltage	<10%	<10%	<10%
No-load current	<10mA	<10mA	<10mA
Maximum load current	100mA	100mA	100mA
Leakage current	<0.01mA	<0.01mA	<0.01mA
Voltage drop	<1.5V	<1.5V	<1.5V
Switching frequency	2KHZ	2KHZ	2KHZ
Response time	0.1ms	0.1ms	0.1ms
Switching hysteresis	<15%(Sr)	<15%(Sr)	<15%(Sr)
Repeat accuracy	<1.0%(Sr)	<1.0%(Sr)	<1.0%(Sr)
Protection level	IP67	IP67	IP67
Operating temperature	-25°C - +70°C	-25°C - +70°C	-25 C - +70 C
Temperature drift	<10%(Sr)	<10%(Sr)	<10%(Sr)
Short circuit protection/reverse polarity protection	Yes	Yes	Yes
Overload protection current	120mA	120mA	120mA
Sensing surface material	PBT	PBT	PBT
Connection method	2m oil-proof TPU cable 2.3 φ 3x0.15		
Product Model			
DC 3 line 10-30V NPN NO	LX03-0.8NO-ZAA-3A	LX03-01NO-ZAA-3A	LR04-0.6NO-ZAA-3A
DC 3 line 10-30V NPN NC	LX03-0.8NC-ZAA-3A	LX03-01NC-ZAA-3A	LR04-0.6NC-ZAA-3A
DC 3 line 10-30V PNP NO	LX03-0.8PO-ZAA-3A	LX03-01PO-ZAA-3A	LR04-0.6PO-ZAA-3A
DC 3 line 10-30V PNP NC	LX03-0.8PC-ZAA-3A	LX03-01PC-ZAA-3A	LR04-0.6PC-ZAA-3A

# Product Parameters

## Ultra Mini Series



### Size category

#### M 4

#### M 4

Shielded  
  Non-shielded  
  Semi-shielded

Sn: mm

0.6 mm

0.8 mm

Shell material

Stainless steel

Stainless steel

LED display  
  No LED display

Operating voltage

10-30VDC

10-30VDC

Allowable pulsating voltage

<10%

<10%

No-load current

<10mA

<10mA

Maximum load current

100mA

100mA

Leakage current

<0.01mA

<0.01mA

Voltage drop

<1.5V

<1.5V

Switching frequency

2KHZ

2KHZ

Response time

0.1ms

0.1ms

Switching hysteresis

<15%(Sr)

<15%(Sr)

Repeat accuracy

<1.0%(Sr)

<1.0%(Sr)

Protection level

IP67

IP67

Operating temperature

-25°C - +70°C

-25 C - +70 C

Temperature drift

<10%(Sr)

<10%(Sr)

Short circuit protection/reverse polarity protection

Yes

Yes

Overload protection current

120mA

120mA

Sensing surface material

PBT

PBT

Connection method

0.3m oil-proof TPU cable  
2.3 φ 3x0.15+M8 Connectors

2m oil-proof TPU cable  
2.3 φ 3x0.15

Product Model

DC 3 line 10-30V NPN NO

LR04-0.6NO-ZAA-EA

LR04-0.8NO-ZAA-3A

DC 3 line 10-30V NPN NC

LR04-0.6NC-ZAA-EA

LR04-0.8NC-ZAA-3A

DC 3 line 10-30V PNP NO

LR04-0.6PO-ZAA-EA

LR04-0.8PO-ZAA-3A

DC 3 line 10-30V PNP NC

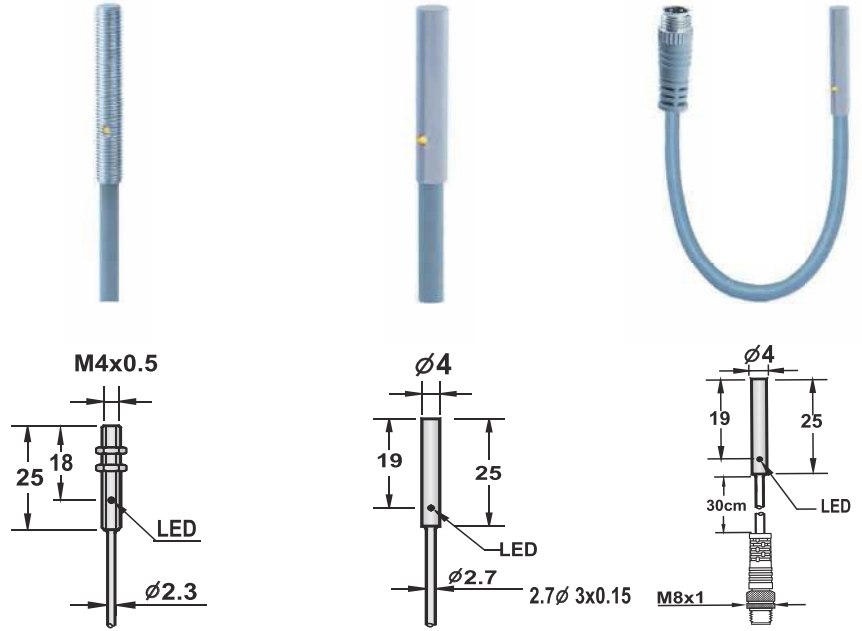
LR04-0.6PC-ZAA-EA

LR04-0.8PC-ZAA-3A



# Product Parameters

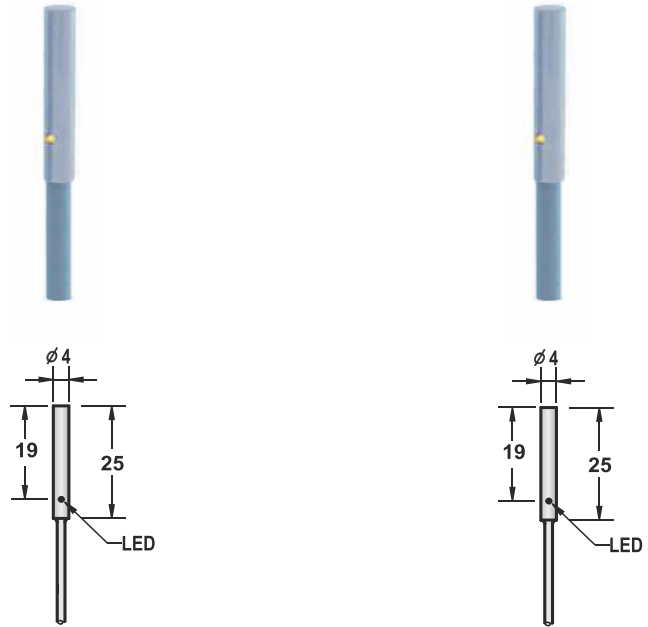
Ultra Mini Series



Size category	M 4	Ø4	Ø4
● Shielded ○ Non-shielded ● Semi-shielded	●	●	●
Sn: mm	1 mm	0.8 mm	0.8 mm
Shell material	Stainless steel	Stainless steel	Stainless steel
● LED display ○ No LED display	●	●	●
Operating voltage	10-30VDC	10-30VDC	10-30VDC
Allowable pulsating voltage	<10%	<10%	<10%
No-load current	<10mA	<10mA	<10mA
Maximum load current	100mA	200mA	200mA
Leakage current	<0.01mA	<0.01mA	<0.01mA
Voltage drop	<1.5V	<1.5V	<1.5V
Switching frequency	2KHZ	2KHZ	2KHZ
Response time	0.1ms	0.1ms	0.1ms
Switching hysteresis	<15%(Sr)	<15%(Sr)	<15%(Sr)
Repeat accuracy	<1.0%(Sr)	<1.0%(Sr)	<1.0%(Sr)
Protection level	IP67	IP67	IP67
Operating temperature	-25°C - +70°C	-25°C - +70°C	-25 C - +70 C
Temperature drift	<10%(Sr)	<10%(Sr)	<10%(Sr)
Short circuit protection/reverse polarity protection	Yes	Yes	Yes
Overload protection current	120mA	220mA	220mA
Sensing surface material	PBT	PBT	PBT
Connection method	2m oil-proof TPU cable 2.3 φ 3x0.15	2m oil-proof TPU cable 2.7 φ 3x0.15	0.3m oil-proof TPU cable 2.3 φ 3x0.15+M8 Connectors
<b>Product Model</b>			
DC 3 line 10-30V NPN NO	LR04-01NO-ZAA-3A	LX04-0.8NO-ZAA-3A	LX04-0.8NO-ZAA-EA
DC 3 line 10-30V NPN NC	LR04-01NC-ZAA-3A	LX04-0.8NC-ZAA-3A	LX04-0.8NC-ZAA-EA
DC 3 line 10-30V PNP NO	LR04-01PO-ZAA-3A	LX04-0.8PO-ZAA-3A	LX04-0.8PO-ZAA-EA
DC 3 line 10-30V PNP NC	LR04-01PC-ZAA-3A	LX04-0.8PC-ZAA-3A	LX04-0.8PC-ZAA-EA

# Product Parameters

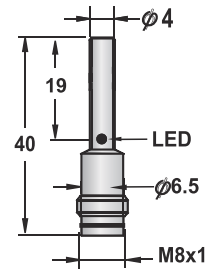
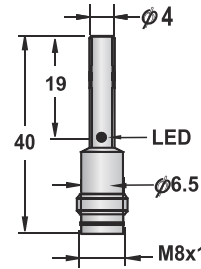
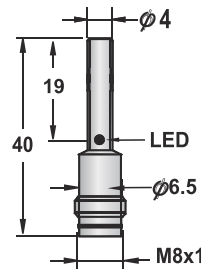
## Ultra Mini Series



Size category	ø4	ø4
<input checked="" type="radio"/> Shielded <input type="radio"/> Non-shielded <input checked="" type="radio"/> Semi-shielded	<input checked="" type="radio"/>	<input checked="" type="radio"/>
Sn: mm	1 mm	1.5 mm
Shell material	Stainless steel	Stainless steel
<input checked="" type="radio"/> LED display <input type="radio"/> No LED display	<input checked="" type="radio"/>	<input checked="" type="radio"/>
Operating voltage	10-30VDC	10-30VDC
Allowable pulsating voltage	<10%	<10%
No-load current	<10mA	<10mA
Maximum load current	200mA	200mA
Leakage current	<0.01mA	<0.01mA
Voltage drop	<1.5V	<1.5V
Switching frequency	2KHZ	2KHZ
Response time	0.1ms	0.1ms
Switching hysteresis	<15%(Sr)	<15%(Sr)
Repeat accuracy	<1.0%(Sr)	<1.0%(Sr)
Protection level	IP67	IP67
Operating temperature	-25°C - +70°C	-25 C - +70 C
Temperature drift	<10%(Sr)	<10%(Sr)
Short circuit protection/reverse polarity protection	Yes	Yes
Overload protection current	220mA	220mA
Sensing surface material	PBT	PBT
Connection method	2m oil-proof TPU cable 2.7 φ 3x0.15	2m oil-proof TPU cable 2.7 φ 3x0.15
<b>Product Model</b>		
DC 3 line 10-30V NPN NO	LX04-01NO-ZAA-3A	LX04-1.5NO-ZAA-3A
DC 3 line 10-30V NPN NC	LX04-01NC-ZAA-3A	LX04-1.5NC-ZAA-3A
DC 3 line 10-30V PNP NO	LX04-01PO-ZAA-3A	LX04-1.5PO-ZAA-3A
DC 3 line 10-30V PNP NC	LX04-01PC-ZAA-3A	LX04-1.5PC-ZAA-3A

# Product Parameters

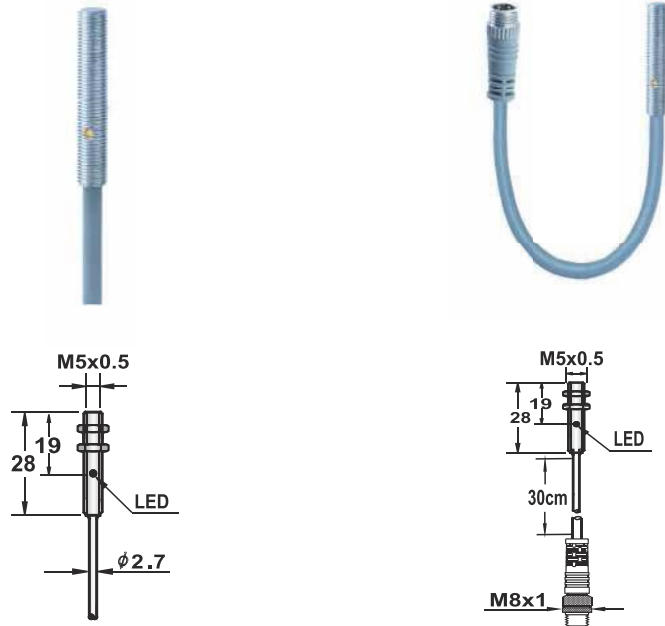
## Ultra Mini Series



Size category	Ø4	Ø4	Ø4
● Shielded ○ Non-shielded ● Semi-shielded	●	●	●
Sn: mm	0.8 mm	1 mm	1.5 mm
Shell material	Stainless steel	Stainless steel	Stainless steel
● LED display ○ No LED display	●	●	●
Operating voltage	10-30VDC	10-30VDC	10-30VDC
Allowable pulsating voltage	<10%	<10%	<10%
No-load current	<10mA	<10mA	<10mA
Maximum load current	200mA	200mA	200mA
Leakage current	<0.01mA	<0.01mA	<0.01mA
Voltage drop	<1.5V	<1.5V	<1.5V
Switching frequency	2KHZ	2KHZ	2KHZ
Response time	0.1ms	0.1ms	0.1ms
Switching hysteresis	<15%(Sr)	<15%(Sr)	<15%(Sr)
Repeat accuracy	<1.0%(Sr)	<1.0%(Sr)	<1.0%(Sr)
Protection level	IP67	IP67	IP67
Operating temperature	-25°C - +70°C	-25°C - +70°C	-25 C - +70 C
Temperature drift	<10%(Sr)	<10%(Sr)	<10%(Sr)
Short circuit protection/reverse polarity protection	Yes	Yes	Yes
Overload protection current	220mA	220mA	220mA
Sensing surface material	PBT	PBT	PBT
Connection method	M8 Connector	M8 Connector	M8 Connector
Product Model			
DC 3 line 10-30V NPN NO	LX04-0.8NO-YAA-EA	LX04-01NO-YAA-EA	LX04-1.5NO-YAA-EA
DC 3 line 10-30V NPN NC	LX04-0.8NC-YAA-EA	LX04-01NC-YAA-EA	LX04-1.5NC-YAA-EA
DC 3 line 10-30V PNP NO	LX04-0.8PO-YAA-EA	LX04-01PO-YAA-EA	LX04-1.5PO-YAA-EA
DC 3 line 10-30V PNP NC	LX04-0.8PC-YAA-EA	LX04-01PC-YAA-EA	LX04-1.5PC-YAA-EA

# Product Parameters

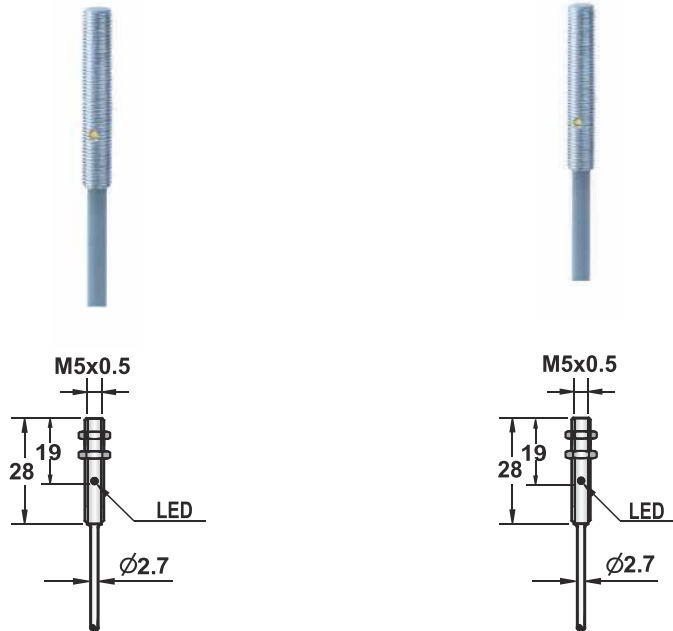
## Ultra Mini Series



Size category	M5	M5
<input checked="" type="radio"/> Shielded <input type="radio"/> Non-shielded <input checked="" type="radio"/> Semi-shielded	<input checked="" type="radio"/>	<input checked="" type="radio"/>
Sn: mm	0.8 mm	0.8 mm
Shell material	Stainless steel	Stainless steel
<input checked="" type="radio"/> LED display <input type="radio"/> No LED display	<input checked="" type="radio"/>	<input checked="" type="radio"/>
Operating voltage	10-30VDC	10-30VDC
Allowable pulsating voltage	<10%	<10%
No-load current	<10mA	<10mA
Maximum load current	200mA	200mA
Leakage current	<0.01mA	<0.01mA
Voltage drop	<1.5V	<1.5V
Switching frequency	2KHZ	2KHZ
Response time	0.1ms	0.1ms
Switching hysteresis	<15%(Sr)	<15%(Sr)
Repeat accuracy	<1.0%(Sr)	<1.0%(Sr)
Protection level	IP67	IP67
Operating temperature	-25°C - +70°C	-25 C - +70 C
Temperature drift	<10%(Sr)	<10%(Sr)
Short circuit protection/reverse polarity protection	Yes	Yes
Overload protection current	220mA	220mA
Sensing surface material	PBT	PBT
Connection method	2m oil-proof TPU cable 2.7 φ 3x0.15	0.3m oil-proof TPU cable 2.3 φ 3x0.15+M8 Connectors
<b>Product Model</b>		
DC 3 line 10-30V NPN NO	LX05-0.8NO-ZAA-3A	LX05-0.8NO-ZAA-EA
DC 3 line 10-30V NPN NC	LX05-0.8NC-ZAA-3A	LX05-0.8NC-ZAA-EA
DC 3 line 10-30V PNP NO	LX05-0.8PO-ZAA-3A	LX05-0.8PO-ZAA-EA
DC 3 line 10-30V PNP NC	LX05-0.8PC-ZAA-3A	LX05-0.8PC-ZAA-EA

# Product Parameters

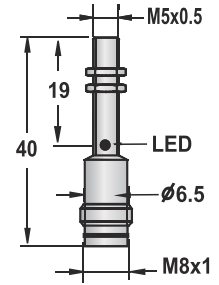
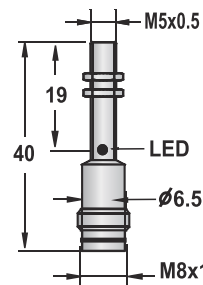
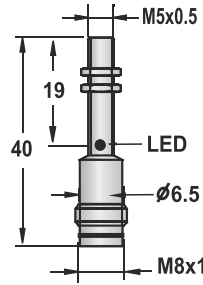
Ultra Mini Series



Size category	M5	M5
<input checked="" type="radio"/> Shielded <input type="radio"/> Non-shielded <input checked="" type="radio"/> Semi-shielded	<input checked="" type="radio"/>	<input checked="" type="radio"/>
Sn: mm	1 mm	1.5 mm
Shell material	Stainless steel	Stainless steel
<input checked="" type="radio"/> LED display <input type="radio"/> No LED display	<input checked="" type="radio"/>	<input checked="" type="radio"/>
Operating voltage	10-30VDC	10-30VDC
Allowable pulsating voltage	<10%	<10%
No-load current	<10mA	<10mA
Maximum load current	200mA	200mA
Leakage current	<0.01mA	<0.01mA
Voltage drop	<1.5V	<1.5V
Switching frequency	2KHZ	2KHZ
Response time	0.1ms	0.1ms
Switching hysteresis	<15%(Sr)	<15%(Sr)
Repeat accuracy	<1.0%(Sr)	<1.0%(Sr)
Protection level	IP67	IP67
Operating temperature	-25°C - +70°C	-25 C - +70 C
Temperature drift	<10%(Sr)	<10%(Sr)
Short circuit protection/reverse polarity protection	Yes	Yes
Overload protection current	220mA	220mA
Sensing surface material	PBT	PBT
Connection method	2m oil-proof TPU cable 2.7 φ 3x0.15	2m oil-proof TPU cable 2.7 φ 3x0.15
<b>Product Model</b>		
DC 3 line 10-30V NPN NO	LX05-01NO-ZAA-3A	LX05-1.5NO-ZAA-3A
DC 3 line 10-30V NPN NC	LX05-01NC-ZAA-3A	LX05-1.5NC-ZAA-3A
DC 3 line 10-30V PNP NO	LX05-01PO-ZAA-3A	LX05-1.5PO-ZAA-3A
DC 3 line 10-30V PNP NC	LX05-01PC-ZAA-3A	LX05-1.5PC-ZAA-3A

# Product Parameters

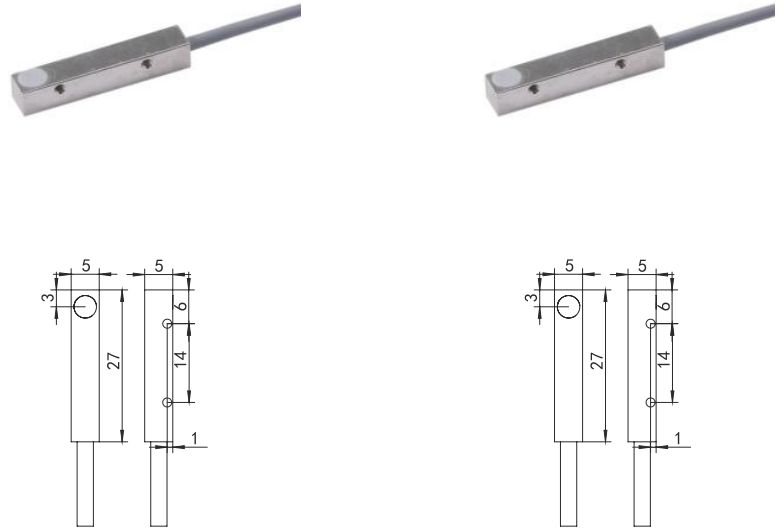
## Ultra Mini Series



Size category	M 5	M 5	M 5
● Shielded ○ Non-shielded ● Semi-shielded	●	●	●
Sn: mm	0.8 mm	1 mm	1.5 mm
Shell material	Stainless steel	Stainless steel	Stainless steel
● LED display ○ No LED display	●	●	●
Operating voltage	10-30VDC	10-30VDC	10-30VDC
Allowable pulsating voltage	<10%	<10%	<10%
No-load current	<10mA	<10mA	<10mA
Maximum load current	200mA	200mA	200mA
Leakage current	<0.01mA	<0.01mA	<0.01mA
Voltage drop	<1.5V	<1.5V	<1.5V
Switching frequency	2KHZ	2KHZ	2KHZ
Response time	0.1ms	0.1ms	0.1ms
Switching hysteresis	<15%(Sr)	<15%(Sr)	<15%(Sr)
Repeat accuracy	<1.0%(Sr)	<1.0%(Sr)	<1.0%(Sr)
Protection level	IP67	IP67	IP67
Operating temperature	-25°C - +70°C	-25°C - +70°C	-25 C - +70 C
Temperature drift	<10%(Sr)	<10%(Sr)	<10%(Sr)
Short circuit protection/reverse polarity protection	Yes	Yes	Yes
Overload protection current	220mA	220mA	220mA
Sensing surface material	PBT	PBT	PBT
Connection method	M8 Connector	M8 Connector	M8 Connector
Product Model			
DC 3 line 10-30V NPN NO	LX05-0.8NO-YAA-EA	LX05-01NO-YAA-EA	LX05-1.5NO-YAA-EA
DC 3 line 10-30V NPN NC	LX05-0.8NC-YAA-EA	LX05-01NC-YAA-EA	LX05-1.5NC-YAA-EA
DC 3 line 10-30V PNP NO	LX05-0.8PO-YAA-EA	LX05-01PO-YAA-EA	LX05-1.5PO-YAA-EA
DC 3 line 10-30V PNP NC	LX05-0.8PC-YAA-EA	LX05-01PC-YAA-EA	LX05-1.5PC-YAA-EA

# Product Parameters

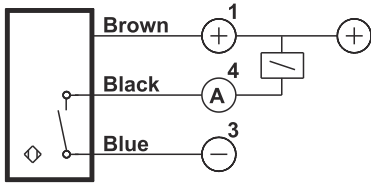
## Ultra Mini Series



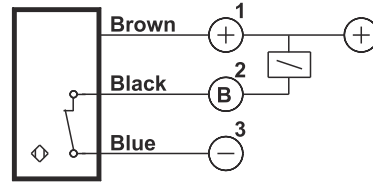
Size category	5x5		5x5	
<input checked="" type="radio"/> Shielded <input type="radio"/> Non-shielded <input checked="" type="radio"/> Semi-shielded Sn: mm	● 0.8mm		○ 1mm	● 1.5 mm
Shell material	Brass nickel plated		Brass nickel plated	
<input checked="" type="radio"/> LED display <input type="radio"/> No LED display	●		●	
Operating voltage	10-30VDC		10-30VDC	
Allowable pulsating voltage	<10%		<10%	
No-load current	<10mA		<10mA	
Maximum load current	200mA		200mA	
Leakage current	<0.01mA		<0.01mA	
Voltage drop	<1.5V		<1.5V	
Switching frequency	2KHZ		2KHZ	
Response time	0.1ms		0.1ms	
Switching hysteresis	<15%(Sr)		<15%(Sr)	
Repeat accuracy	<1.0%(Sr)		<1.0%(Sr)	
Protection level	IP67		IP67	
Operating temperature	-25°C - +70°C		-25 C - +70 C	
Temperature drift	<10%(Sr)		<10%(Sr)	
Short circuit protection/reverse polarity protection	Yes		Yes	
Overload protection current	220mA		220mA	
Sensing surface material	PBT		PBT	
Connection method	2m oil-proof TPU cable 2.7 φ 3x0.15		2m oil-proof TPU cable 2.7 φ 3x0.15	
<b>Product Model</b>				
DC 3 line 10-30V NPN NO	LX55-0.8NO-ZAA-3A	LX55-01NO-ZAA-3A	LX55-1.5NO-ZAA-3A	
DC 3 line 10-30V NPN NC	LX55-0.8NC-ZAA-3A	LX55-01NC-ZAA-3A	LX55-1.5NC-ZAA-3A	
DC 3 line 10-30V PNP NO	LX55-0.8PO-ZAA-3A	LX55-01PO-ZAA-3A	LX55-1.5PO-ZAA-3A	
DC 3 line 10-30V PNP NC	LX55-0.8PC-ZAA-3A	LX55-01PC-ZAA-3A	LX55-1.5PC-ZAA-3A	

# Wiring Diagram

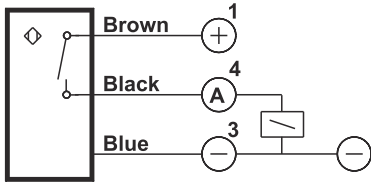
**DC NPN NO**



**DC NPN NC**



**DC PNP NO**



**DC PNP NC**

