

TECHNICAL DATA SHEET

SAFETY RELAY LS-2A4S series



SIL3
IEC61508

PL e
Cat.4
EN/ISO 13849



Note: Dimensions (depth × height × width): 114.5mm × 99.0mm × 45.0mm

Product features

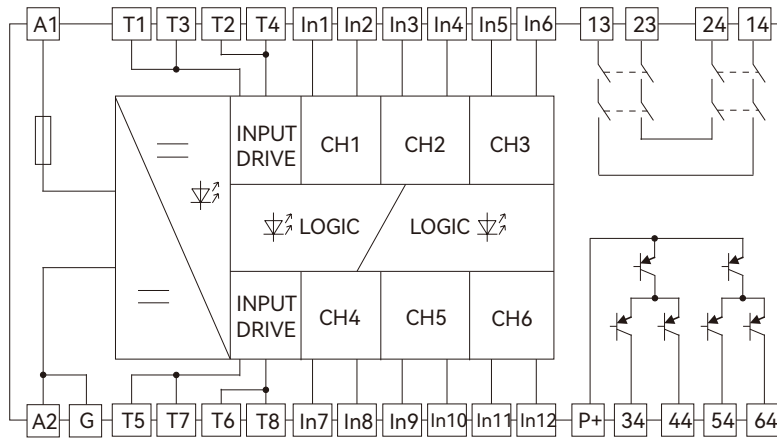
- Configurable control logic
- Supports a variety of safety input signals

LS-2A4S is a configurable safety control module that supports a variety of switch-type safety element inputs (such as emergency stop buttons, safety doors, two-hand buttons, etc.), and supports up to 6 safety element inputs, 2 relay safety outputs and 4 semiconductor outputs. It can use configuration software to set safety control logic to meet a variety of on-site application requirements.

Technical data

Power supply characteristics	
Supply voltage	20V~30V DC
Current consumption	≤110mA (24V DC)
Input characteristics	
Number of channels	6
Input current	≤50mA (24V DC)
Wire resistance	≤15Ω
Input devices	Emergency stop, safety door, safety light curtain, safety carpet, two-hand button, door magnetic switch, reset button
Relay output characteristics	
Number of contacts	2NO
Contact material	AgSnO ₂
Contact fuse protection	10A fast; 6A slow
Switching capacity	5A/250V AC; 5A/24V DC
Semiconductor output characteristics	
Number of outputs	4SO
Driving capacity	2A (24V DC)
Time characteristics	
Pull-in buffer time	≤100ms
Release buffer time	≤30ms
Recovery time	≤100ms
Short power interruption	20ms
Environmental characteristics	
Electromagnetic compatibility	EN60947, EN61000-6-2, EN61000-6-4
Vibration	Frequency: 10Hz~55Hz; Amplitude: 0.35mm
Operating temperature	-20°C~+60°C
Storage temperature	-40°C~+85°C
Relative humidity	10%~90%
Insulation characteristics	
Overvoltage level	III
Pollution level	2
Rated insulation voltage	250V AC
Rated impulse voltage	6000V (1.2/50us)
Insulation strength	1500V AC, 1min
Electrical clearance and creepage distance	in accordance with EN 60947-1
Certification	
Safety integrity level	SIL3
Performance level	Ple
Safety category	Cat.4

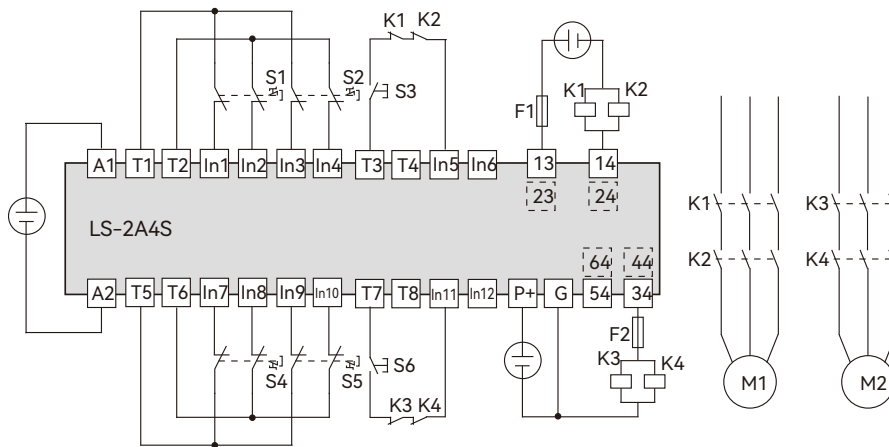
Functional Block Diagram



LS-2A4S

LS-2A4S wiring diagram

- Four emergency stop button inputs



- Two-way two-hand push button input

