

TECHNICAL DATA SHEET

SAFETY LIGHT CURTAIN FOR REGIONAL PROTECTION WITH FLOOR STAND COLUMNS AND MIRROR

QSA series



Contents

- Product application
- Resolution ratio
- Product selection
- Technical data
- Operation and display
- Dimensioned drawings
- Electrical connection
- Wiring diagram
- Outline size

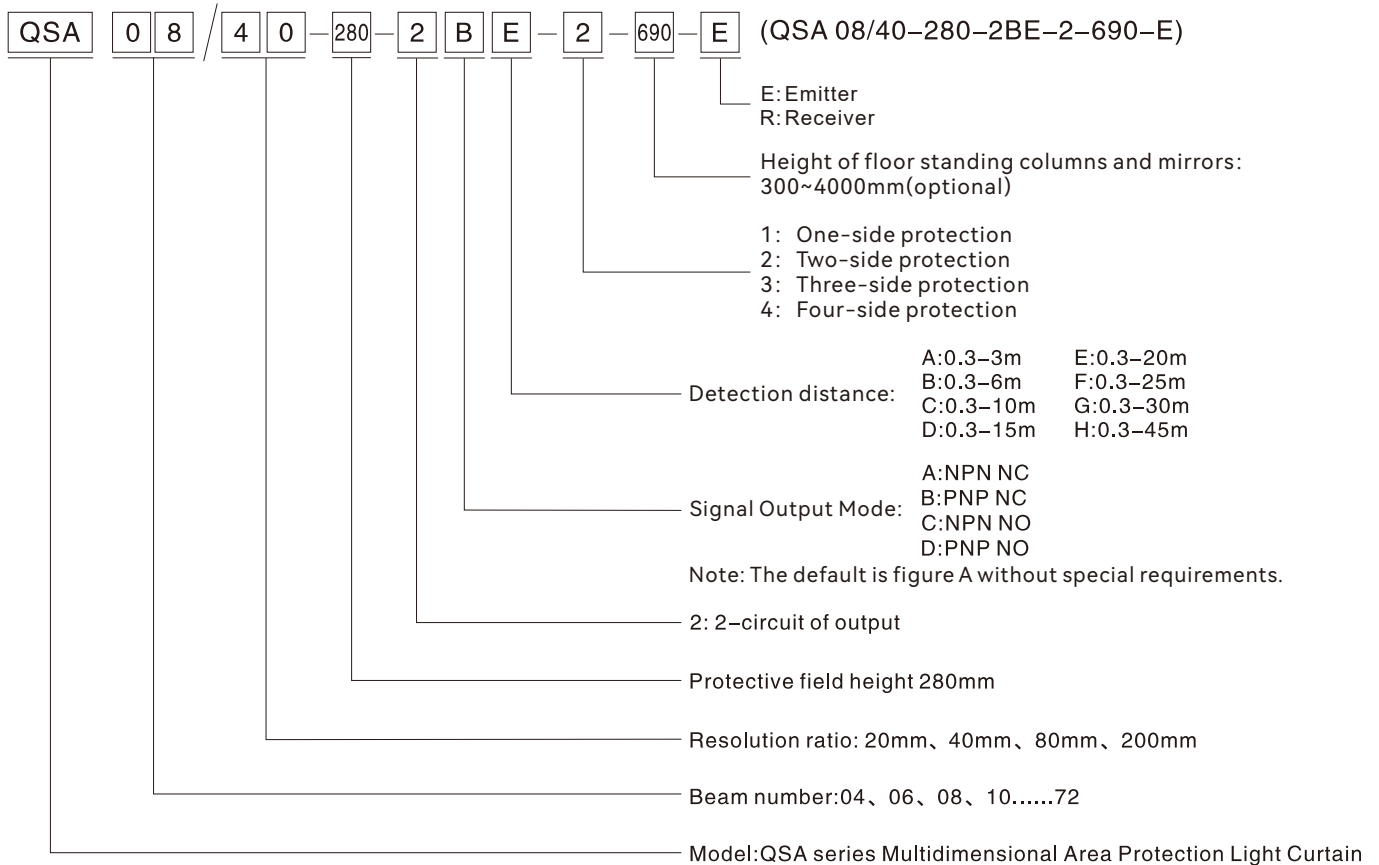


GB/T 19001-2016

Product application

- A. Light curtain can achieve full protection for the slider can be stopped at any position on the press machine.
- B. The light curtain can only achieve upper dead point protection if the slider can not be stopped at any position on the press machine.
- C. Realize the regional protection for the industry manipulator, injection molding machines, packaging equipment, automation equipment, assembly wires and other dangerous work area.
- D. Used to detect and alarm object.

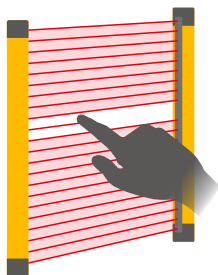
The specifications of QSA type safety light curtain are as follows:



Resolution ratio

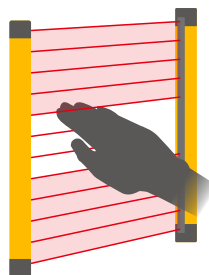
Depending on the usage environment and requirements, it is important to choose the appropriate beam spacing

Finger protection



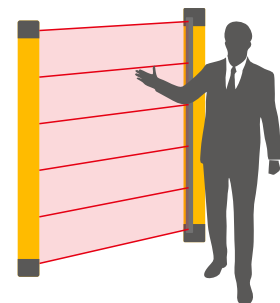
Detection capability
20mm
diameter

Hand protection



Detection capability
40mm
diameter

Arm/body protection



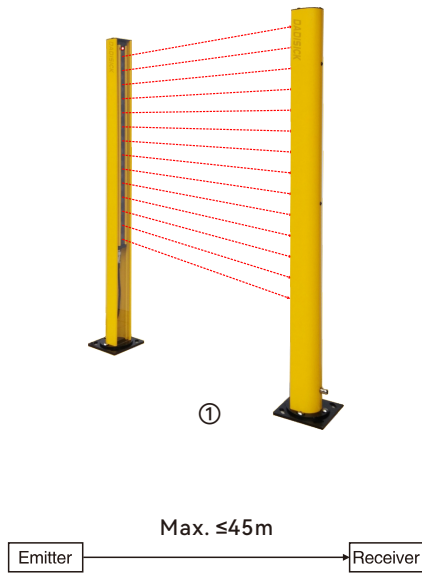
Detection capability
80/200mm
diameter

Product selection

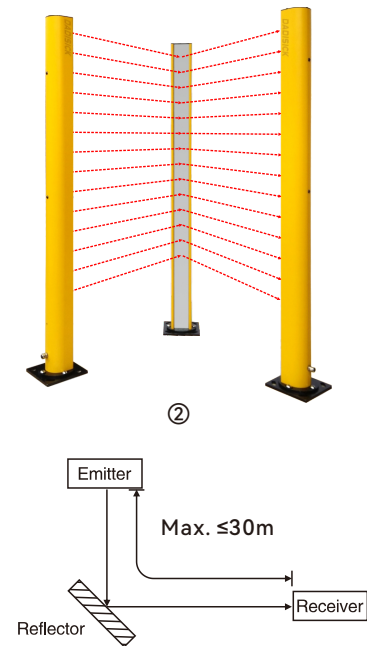
QSA series photoelectric protection devices use mirrors to change the transmission direction of light to form 2-sided, 3-sided or 4-sided protection areas.

Detection distance optional: A:0.3-3m,B:0.3-6m,C:0.3-10m,D:0.3-15m,E:0.3-20m,F:0.3-25m,G:0.3-30m,H:0.3-45m.

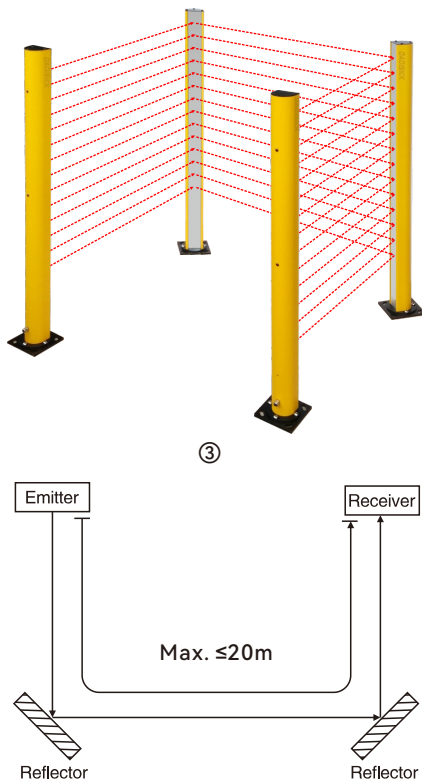
1. One-sided Long-distance Safety Protection



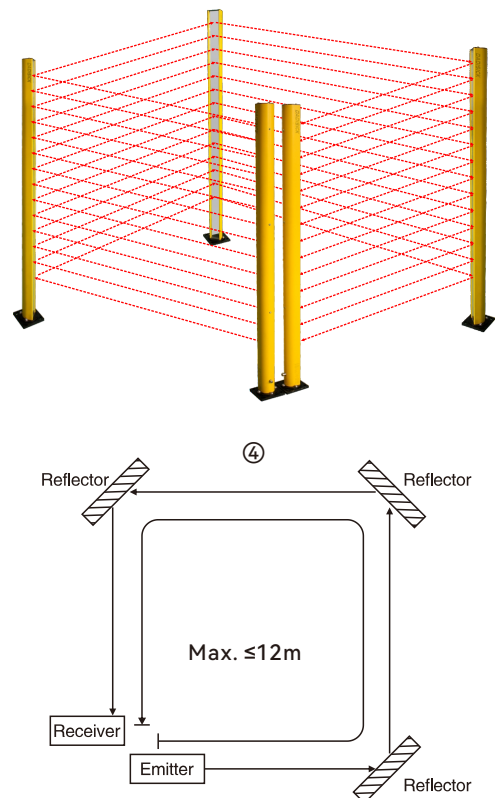
2. Two-sided Regional Safety Protection



3. Three-sided Regional Safety Protection



4. Four-sided Regional Safety Protection



Product description

Ultra long distance area protection, equipped with visible laser locators, can effectively and quickly locate, solve the problem of difficult installation and lighting for ultra long distance and multi sided protection, and greatly save debugging time.



The emitter is equipped with a visible laser assisted positioning indicator

(Order separately)

Technical data

Basic data	
Floor stand columns model	QSA-01
Shell material	Aluminium alloy
Mounting material	Iron plate 10mm
Disc material	Iron plate 6mm
Top cover material	Iron plate 2mm
Column height	30~4000mm optional
Front screen	Acrylic 2mm

Basic data	
Mirror columns model	QSA-02
Shell material	Aluminium alloy
Mounting material	Iron plate 10mm
Disc material	Iron plate 6mm
Top cover material	Iron plate 2mm
Mirror height	30~4000mm optional
Mirror material	Glass 4mm

Basic data of Receiver and Emitter

Standard packaging	
Product model	QSA series
Standard configuration	Emitter and Receiver, columns and reflectors, cables, and installation accessories
Light curtain form	Infrared radiation type
Application	Standard industrial environment

Features	
Resolution ratio	20mm, 40mm, 80mm, 200mm
Check the accuracy	28mm, 48mm, 88mm, 208mm
Number of beams	04、06、08、10.....72
Overall dimension	51mm*35mm*L, L is the length of emitter and receiver.
Detection distance	A:0.3-3m,B:0.3-6m,C:0.3-10m,D:0.3-15m,E:0.3-20m,F:0.3-25m,G:0.3-30m,H:0.3-45m
Response time	≤15ms

Synchronization	Line synchronization
Consumption current	≤200mA
Output mode	2-circuit of PNP, with current of 500mA and voltage below 1.5V, polarity, short circuit and over-cutting protection
Output status	ON (receiving indicator green light)
Indicator light	Transmitter: power indicator light (red); receiver: output indicator light on (green), blackout (red)
Wavelength	850nm
Type of light	Infrared light (NIR), invisible
Function	Automatic reset

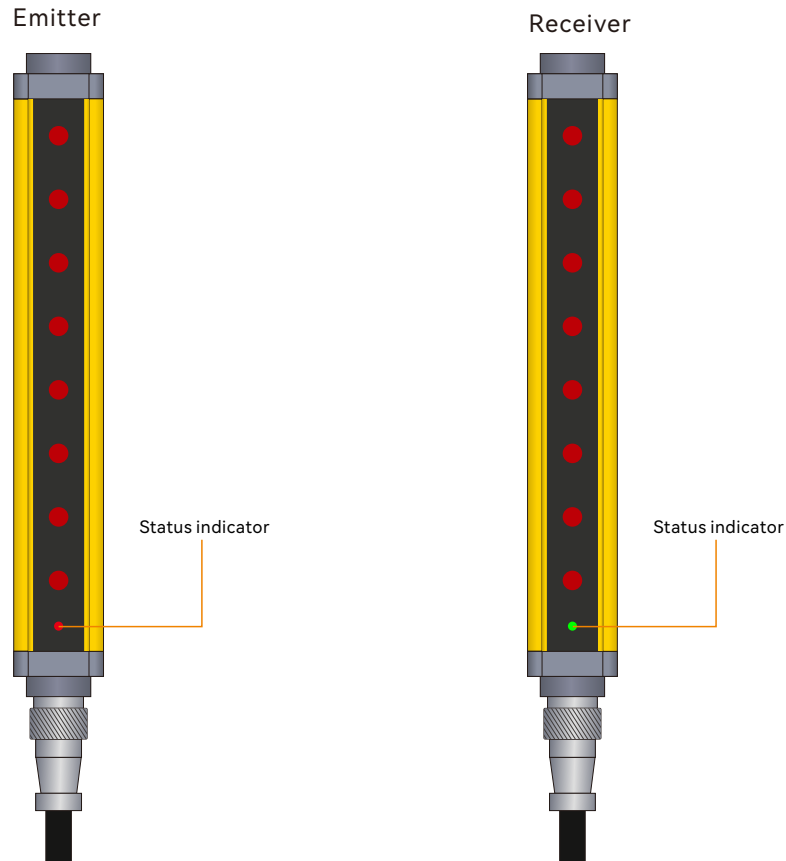
Mechanical data	
Housing material	Metal
Metal shell	Aluminium
Lens front screen material	Acrylic
Upper and lower cover materials	ABS reinforced nylon PA66+30% GF






Performance data	
Protection circuit	Short circuit protection Overvoltage protection
Supply voltage	24VDC, -20...20%
Maximum current consumption	150mA
Fuse	2A half time interval

Environmental data	
Protection grade	IP65
Resistance to ambient light	Incandescent light: illumination of light-receiving surface 3000Lx; Sunlight: illumination of light-receiving surface 10000Lx
Ambient temperature	Working temperature: - 10~+40 °C (but not frozen), storage temperature: - 25 ~+55 °C
Ambient humidity	Working time: 35~85% RH, saving time: 35~95% RH

Output	
Number of safe output circuits (OSSD)	2-circuit
Type	Safety circuit output circuit OSSD
Minimum switch voltage high	18V
Minimum switch voltage low	2.5V
Typical switching voltage	22.5V
Voltage type	DC
Maximum current load	380mA
Load inductance	two thousand
Load capacity	zero point three
Maximum residual current	0.2mA
Typical residual current	0.002MA
Voltage drop	1.5V
Safety switch output 1	Connection pin 4, WHITE OSSD1
Switching element	Transistor PNP
Safety switch output 2	Connection pin 5, GREEN OSSD2
Switching element	Transistor PNP
Certificate	
CE TÜV	No.E8A 104143 0001 Rev.00
ROHS certification	No.BSTDG180811032001CC
CE TYPE 4	No.ICR Polska/VC/HS221214
UL	No. 4790783741.1-S
GB/T	No. HIC180327 GB/T 19001-2016 idt ISO 9001:2015

Operation and display

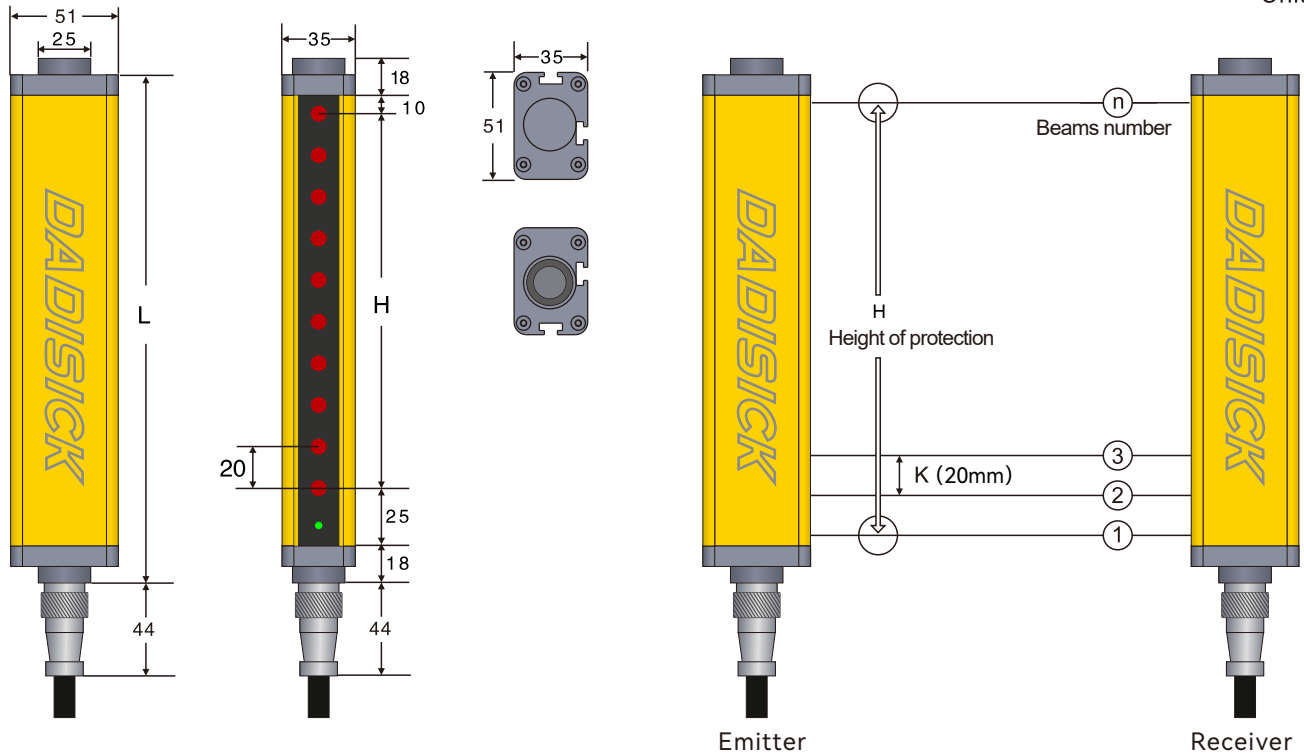


Normal operation of light curtain	LED Indicator status	Explain
Emitter	 Red, always on	Turns on the power
	 Receiver and emitter are red	Receiver and Emitter are not aligned
Receiver	 Green	All light paths are connected
	 Red	Light path shading
	 Lights flashing	Interference or overstep detection range

Dimensioned drawings

1. QSA 20mm series

Unit: mm



Remarks

L: Total length of light screen

H: Height of protected area

K: Resolution ratio

n: Beams number

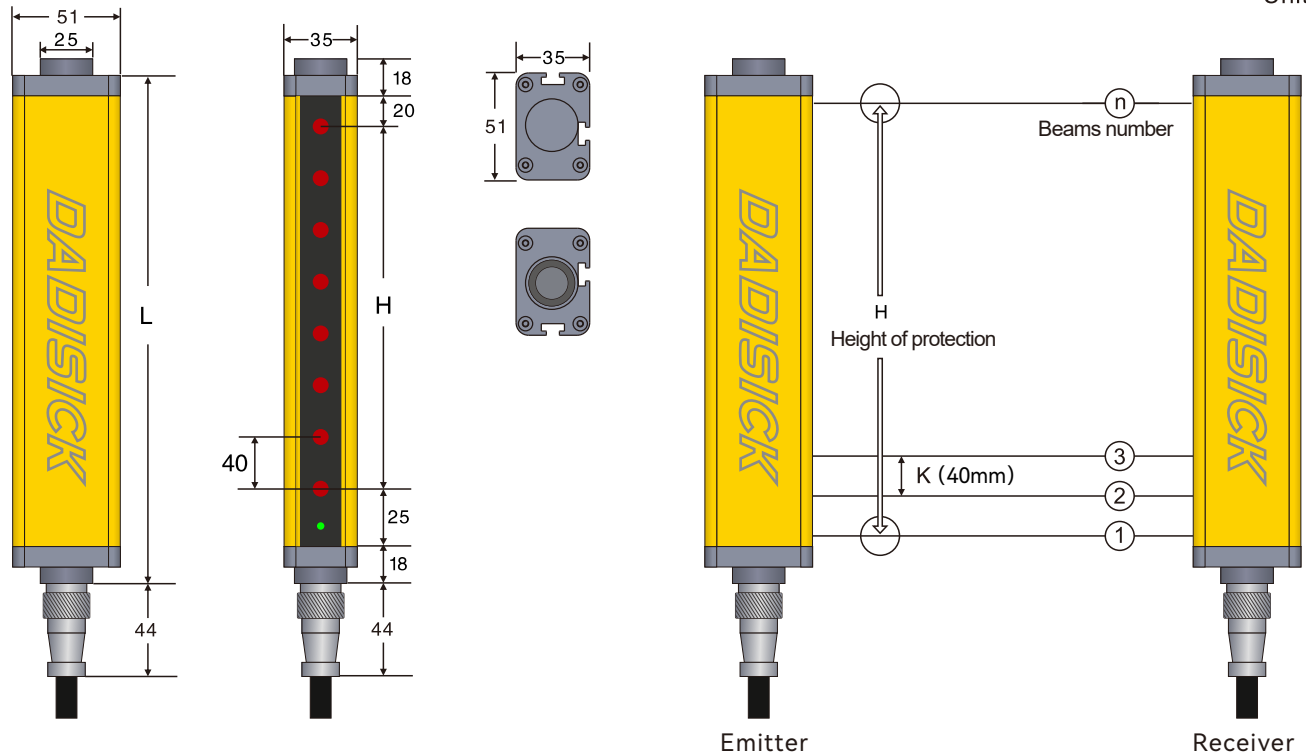
 $L = 18 + 10 + H + 25 + 18$ $H = (n - 1) * 20$

QSA 20mm specification list

Resolution	Light beam	Protection height (H)	Total height (L)	Product model	Height of columns and mirrors (300~4000mm optional)
20mm (K)	6	100	171	QSA06/20-100	500
	8	140	211	QSA08/20-140	540
	10	180	251	QSA10/20-180	580
	12	220	291	QSA12/20-220	620
	14	260	331	QSA14/20-260	660
	16	300	371	QSA16/20-300	700
	18	340	411	QSA18/20-340	740
	20	380	451	QSA20/20-380	780
	22	420	491	QSA22/20-420	820
	24	460	531	QSA24/20-460	860
	26	500	571	QSA26/20-500	900
	28	540	611	QSA28/20-540	940
	30	580	651	QSA30/20-580	980
	32	620	691	QSA32/20-620	1020
	34	660	731	QSA34/20-660	1060
	36	700	771	QSA36/20-700	1100
	38	740	811	QSA38/20-740	1140
	40	780	851	QSA40/20-780	1180
	42	820	891	QSA42/20-820	1220
	44	860	931	QSA44/20-860	1260
	46	900	971	QSA46/20-900	1300
	48	940	1011	QSA48/20-940	1340
	50	980	1051	QSA50/20-980	1380
	52	1020	1091	QSA52/20-1020	1420
	54	1060	1131	QSA54/20-1060	1460
	56	1100	1171	QSA56/20-1100	1500
	58	1140	1211	QSA58/20-1140	1540
	60	1180	1251	QSA60/20-1180	1580
62	1220	1291	QSA62/20-1220	1620	
64	1260	1331	QSA64/20-1260	1660	
66	1300	1371	QSA66/20-1300	1700	
68	1340	1411	QSA68/20-1340	1740	
70	1380	1451	QSA70/20-1380	1780	
72	1420	1491	QSA72/20-1420	1820	

2. QSA 40mm series

Unit: mm



Remarks

L: Total length of light screen

H: Height of protected area

K: Resolution ratio

n: Beams number

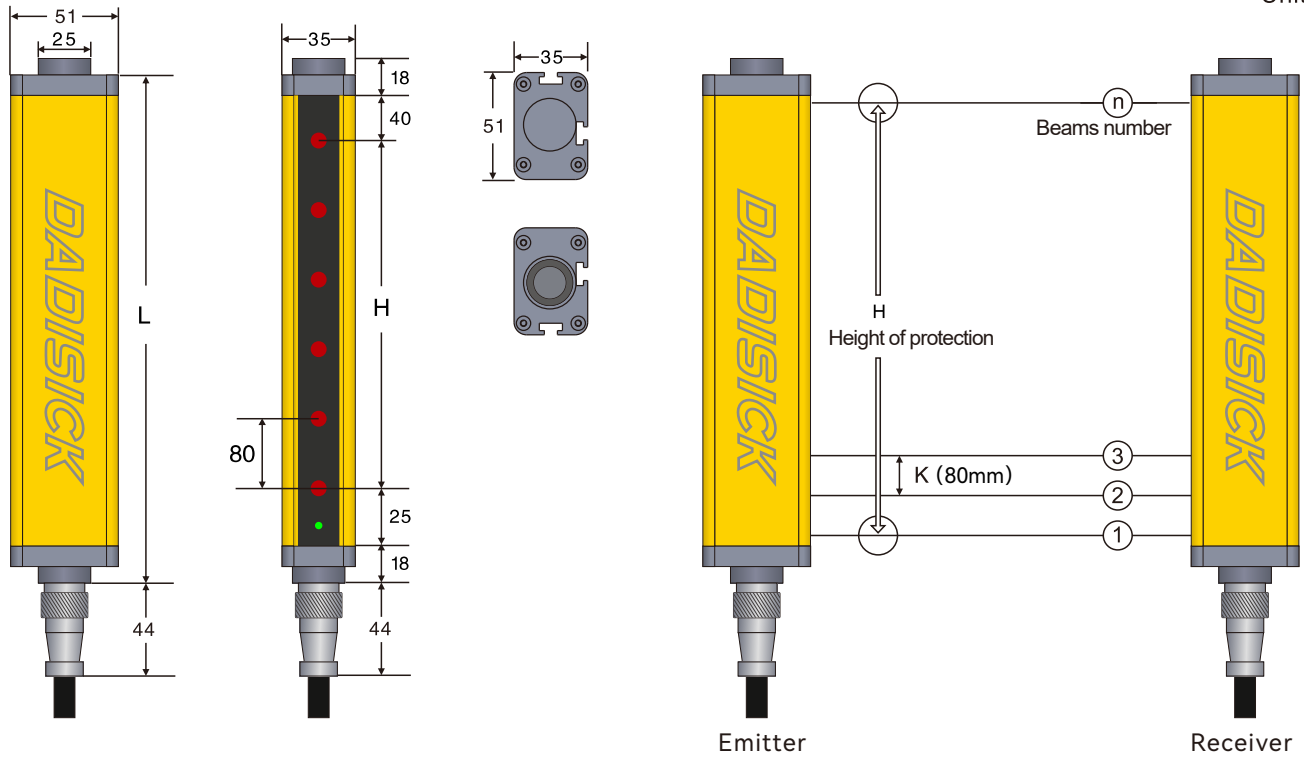
 $L = 18 + 20 + H + 25 + 18$ $H = (n - 1) * 40$

QSA 40mm specification list

Resolution	Light beam	Protection height (H)	Total height (L)	Product model	Height of columns and mirrors (300~4000mm optional)
40mm (K)	4	120	201	QSA04/40-120	530
	6	200	281	QSA06/40-200	610
	8	280	361	QSA08/40-280	690
	10	360	441	QSA10/40-360	770
	12	440	521	QSA12/40-440	850
	14	520	601	QSA14/40-520	930
	16	600	681	QSA16/40-600	1010
	18	680	761	QSA18/40-680	1090
	20	760	841	QSA20/40-760	1170
	22	840	921	QSA22/40-840	1250
	24	920	1001	QSA24/40-920	1330
	26	1000	1081	QSA26/40-1000	1410
	28	1080	1161	QSA28/40-1080	1490
	30	1160	1241	QSA30/40-1160	1570
	32	1240	1321	QSA32/40-1240	1650
	34	1320	1401	QSA34/40-1320	1730
	36	1400	1481	QSA36/40-1400	1810
	38	1480	1561	QSA38/40-1480	1890
	40	1560	1641	QSA40/40-1560	1970
	42	1640	1721	QSA42/40-1640	2050
	44	1720	1801	QSA44/40-1720	2130
	46	1800	1881	QSA46/40-1800	2210
	48	1880	1961	QSA48/40-1880	2290
	50	1960	2041	QSA50/40-1960	2370
	52	2040	2121	QSA52/40-2040	2450
	54	2120	2201	QSA54/40-2120	2530
	56	2200	2281	QSA56/40-2200	2610
	58	2280	2361	QSA58/40-2280	2690
	60	2360	2441	QSA60/40-2360	2770
	62	2440	2521	QSA62/40-2440	2850
	64	2520	2601	QSA64/40-2520	2930
	66	2600	2681	QSA66/40-2600	3010
68	2680	2761	QSA68/40-2680	3090	
70	2760	2841	QSA70/40-2760	3170	
72	2840	2921	QSA72/40-2840	3250	

3. QSA 80mm series

Unit: mm



Remarks

L: Total length of light screen

H: Height of protected area

K: Resolution ratio

n: Beams number

$$L = 18 + 40 + H + 25 + 18$$

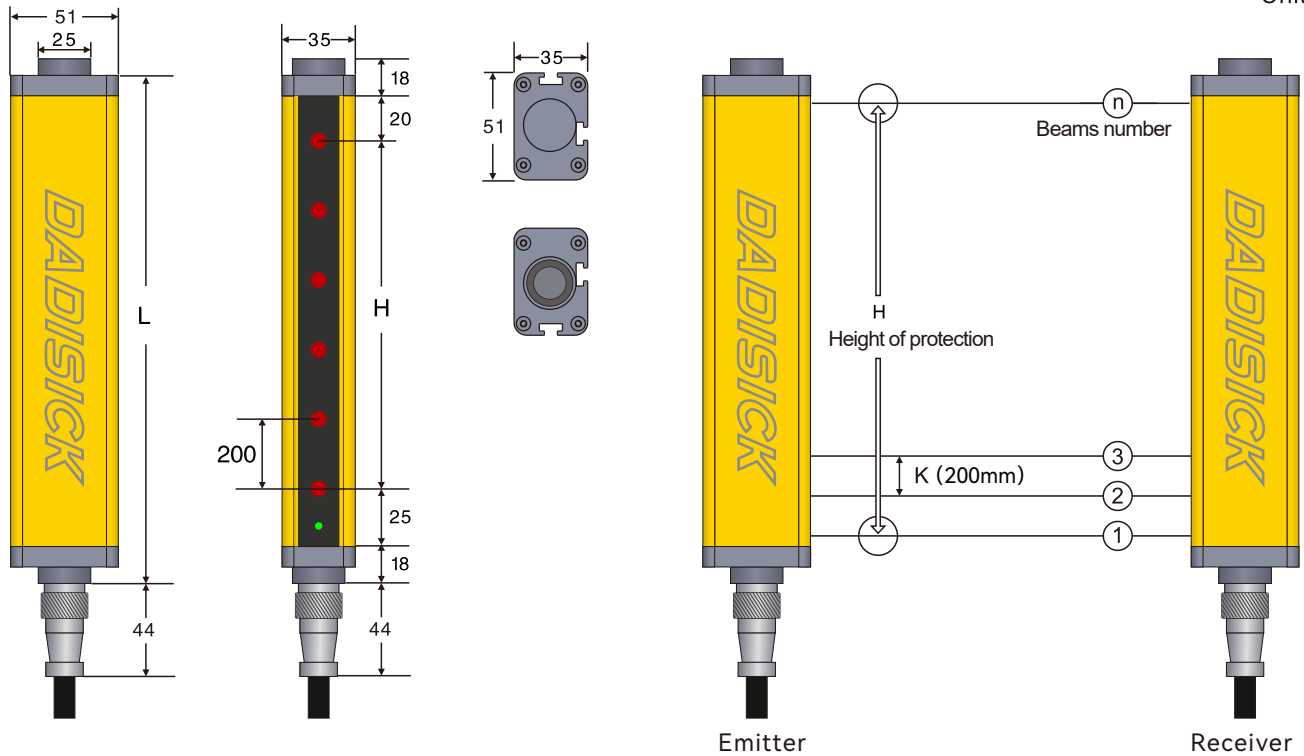
$$H = (n - 1) * 80$$

QSA 80mm specification list

Resolution	Light beam	Protection height (H)	Total height (L)	Product model	Height of columns and mirrors (300~4000mm optional)
80mm (K)	4	240	341	QSA04/80-240	670
	6	400	501	QSA06/80-400	830
	8	560	661	QSA08/80-560	990
	10	720	821	QSA10/80-720	1150
	12	880	981	QSA12/80-880	1310
	14	1040	1141	QSA14/80-1040	1470
	16	1200	1301	QSA16/80-1200	1630
	18	1360	1461	QSA18/80-1360	1790
	20	1520	1621	QSA20/80-1520	1950
	22	1680	1781	QSA22/80-1680	2110
	24	1840	1941	QSA24/80-1840	2270
	26	2000	2101	QSA26/80-2000	2430
	28	2160	2261	QSA28/80-2160	2590
	30	2320	2421	QSA30/80-2320	2750
	32	2480	2581	QSA32/80-2480	2910
	34	2640	2741	QSA34/80-2640	3070
	36	2800	2901	QSA36/80-2800	3230
	38	2960	3061	QSA38/80-2960	3390
	40	3120	3221	QSA40/80-3120	3550
	42	3280	3381	QSA42/80-3280	3710
44	3440	3541	QSA44/80-3440	3870	
46	3600	3701	QSA46/80-3600	4030	
48	3760	3861	QSA48/80-3760	4190	
50	3920	4021	QSA50/80-3920	4350	
52	4080	4181	QSA52/80-4080	4510	

4. QSA 200mm series

Unit: mm



Remarks

L: Total length of light screen

H: Height of protected area

K: Resolution ratio

n: Beams number

 $L = 18 + 20 + H + 25 + 18$ $H = (n - 1) * 200$

QSA 200mm specification list

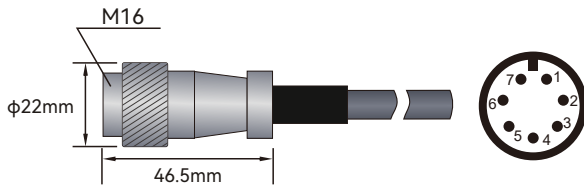
Resolution	Light beam	Protection height (H)	Total height (L)	Product model	Height of columns and mirrors (300~4000mm optional)
200mm (K)	4	600	701	QSA04/200-600	1030
	6	1000	1101	QSA06/200-1400	1430
	8	1400	1501	QSA08/200-1400	1830
	10	1800	1901	QSA10/200-1800	2230
	12	2200	2301	QSA12/200-2200	2630
	14	2600	2701	QSA14/200-2600	3030
	16	3000	3101	QSA16/200-3000	3430
	18	3400	3501	QSA18/200-3400	3830
	20	3800	3901	QSA20/200-3800	4230
	22	4200	4301	QSA22/200-4200	4630

Note: Other specifications require floor brackets, please refer to the specifications of each series of safety light curtains

Electrical connection

Electrical interface	
Number of interfaces	2 (receiver and transmitter)
Type	M16 connector, 7-pin
Interface metal	Copper nickel plating
Plug material	kirsite
Rated current (A)	5A
Contact DC (AC V)	Φ1*5
working voltage (AC V)	500V
pressurization (AC V)	1500V
contact resistance	5MΩ
insulation resistance	2000MΩ
Allowable typical conductor section	0.25mm ²
Maximum link cable	100M
Maximum allowable carrying current	4.9A
Cable material	PVC
Shielding	shielded

Cable description:



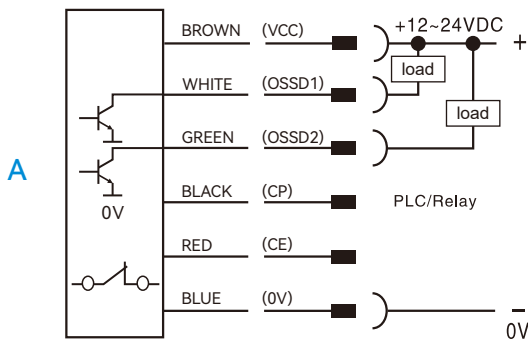
7-pin M16 cable connector straight
3m waterproof cable

Emitter Wiring diagram		
Pin number	Line color	Name
1	BROWN	24V DC
2	BLUE	0V
3	BLACK	CP
4	WHITE	NC
5	GREEN	NC
6	RED	CE
7	YELLOW	Ground wire

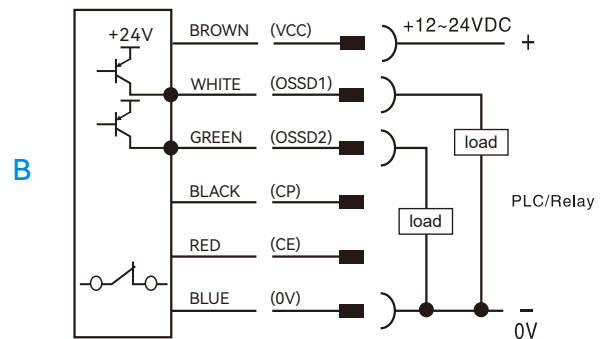
Receiver Wiring diagram		
Pin number	Line color	Name
1	BROWN	24V DC
2	BLUE	0V
3	BLACK	CP
4	WHITE	OSSD1
5	GREEN	OSSD2
6	RED	CE
7	YELLOW	Ground wire

1. QSA signal output selection (actual output of transistor working normally)

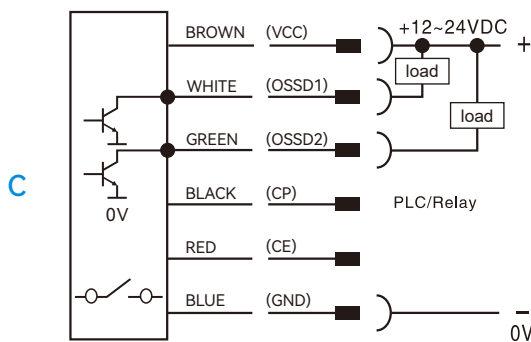
NPN NC



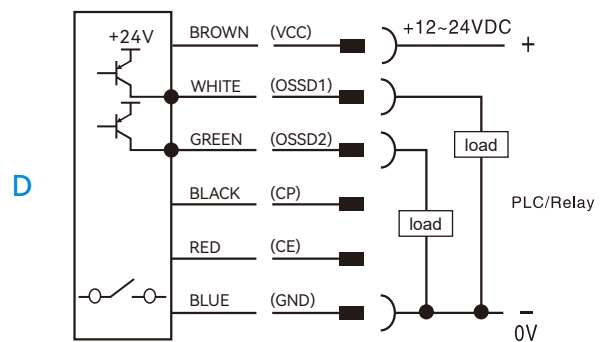
PNP NC



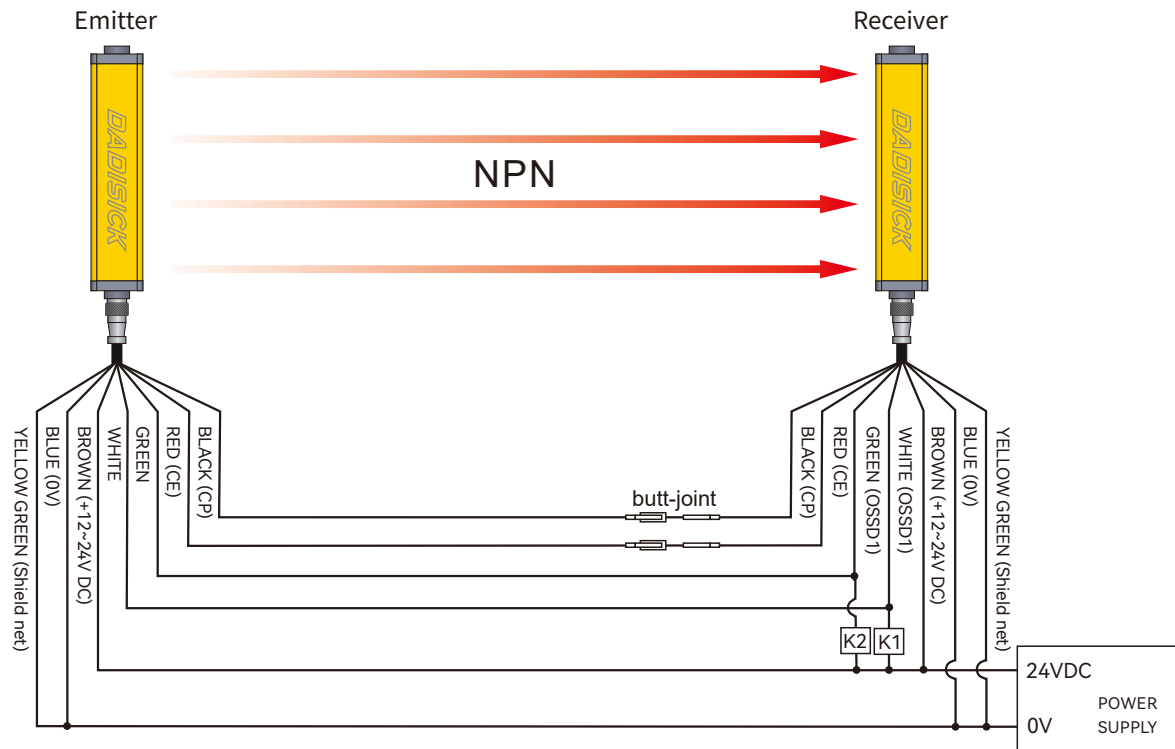
NPN NO



PNP NO

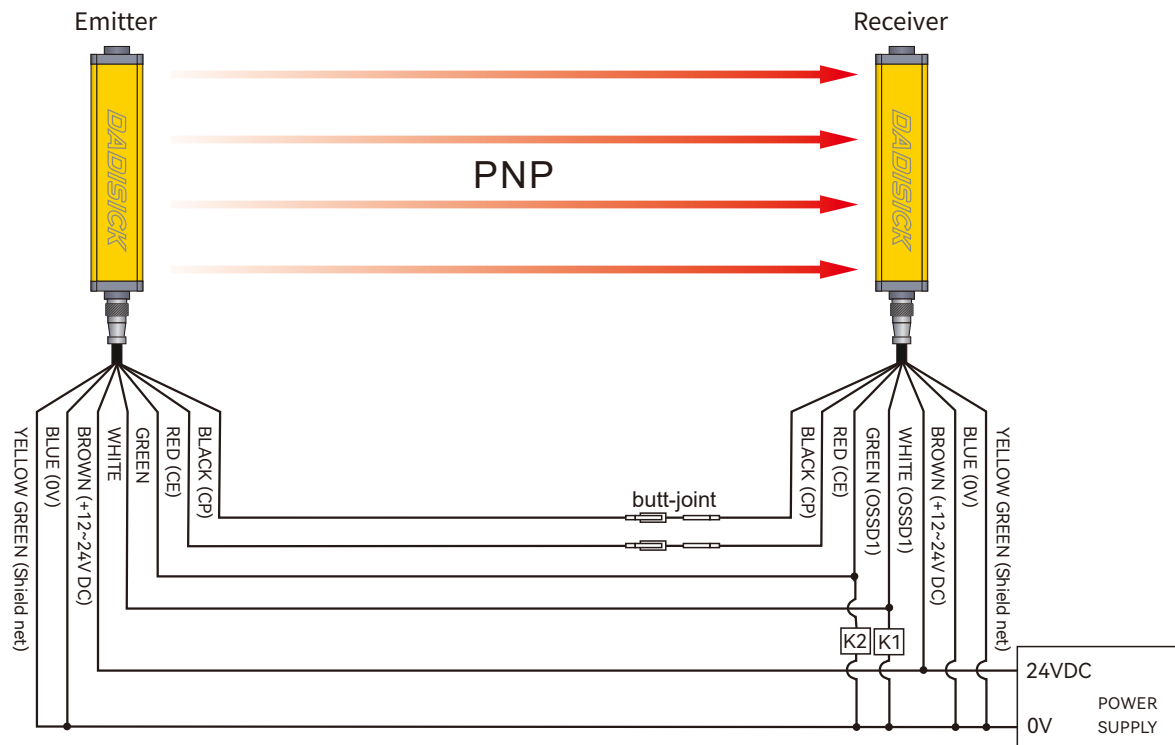


2. NPN output wiring diagram







This figure is an example of NPN double output 7-pin wiring.

3. PNP output wiring diagram

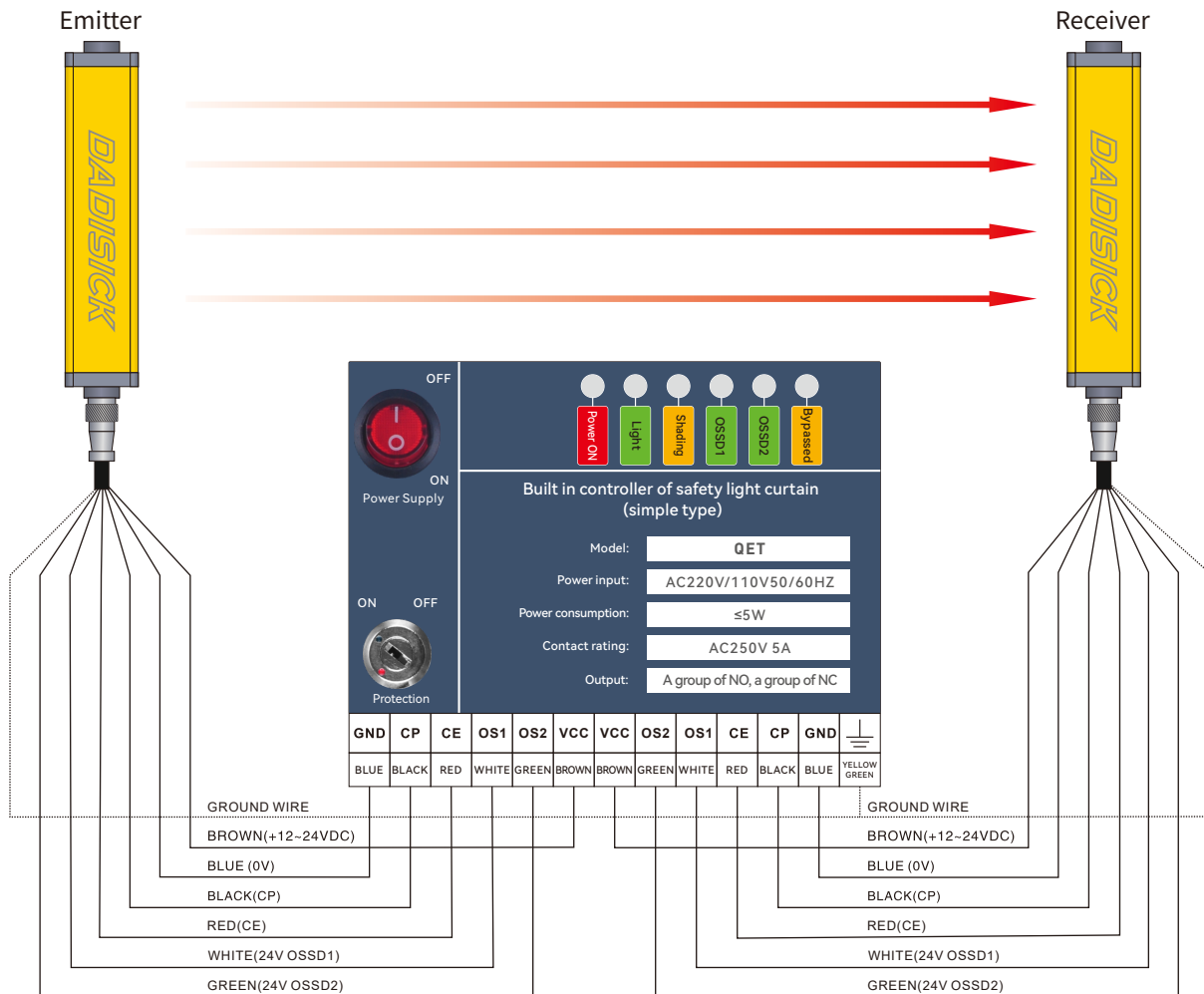


This figure is an example of PNP double output 7-pin wiring.

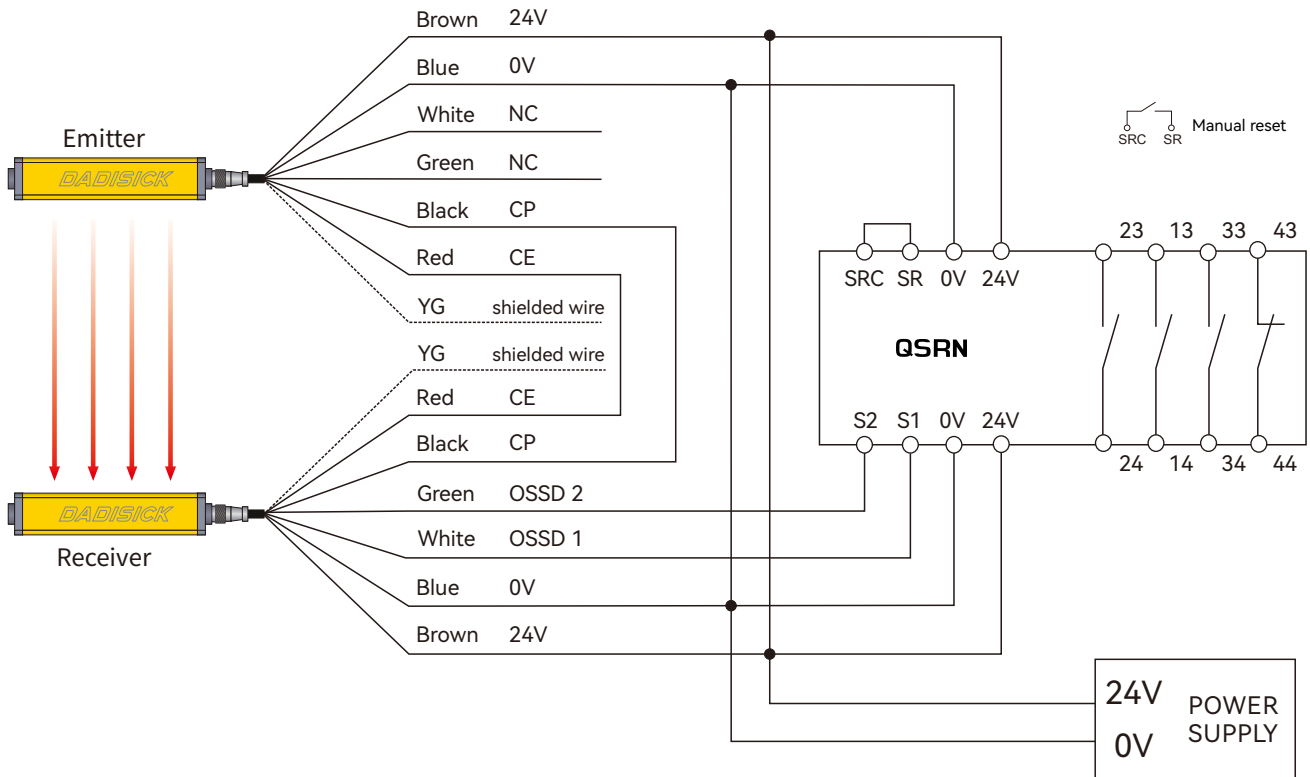
4. Selection of safety light curtain controller

Name	Order separately	Model	Descriptions
Built-in controller		QET	Used to monitor the signal processing of QSA series light curtain, and output one group of NO and one group of NC.
Safety relay		QSRN	QSRN safety relays have three groups of NO and one group of NC, with strong control capabilities. They are suitable for various signal monitoring in industrial places with high safety requirements, including emergency stop signals, safety door opening and closing signals, safety light curtain signals, and two-handed button signals.
Safety relay		LS-A	Equipped with a mode switch, it can be used for most safety components, such as light curtains, safety switches, carpet contacts, two handed switches, etc. Automatic/manual reset paddles for quick configuration. Dual channel monitoring circuit, safe and reliable.
Light curtain relay		QET-1	Output conversion between NC and NO for QSA series light curtain.

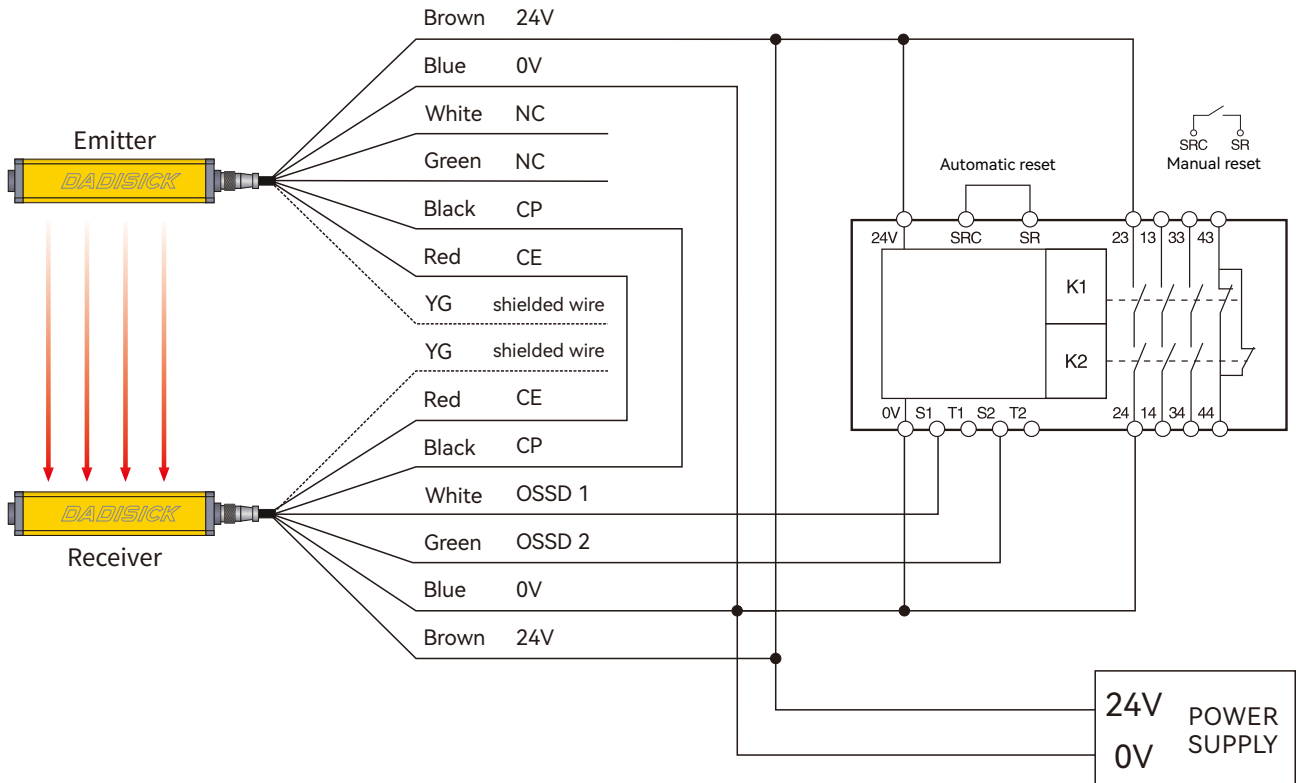
4.1 Wiring diagram of QET built-in controller



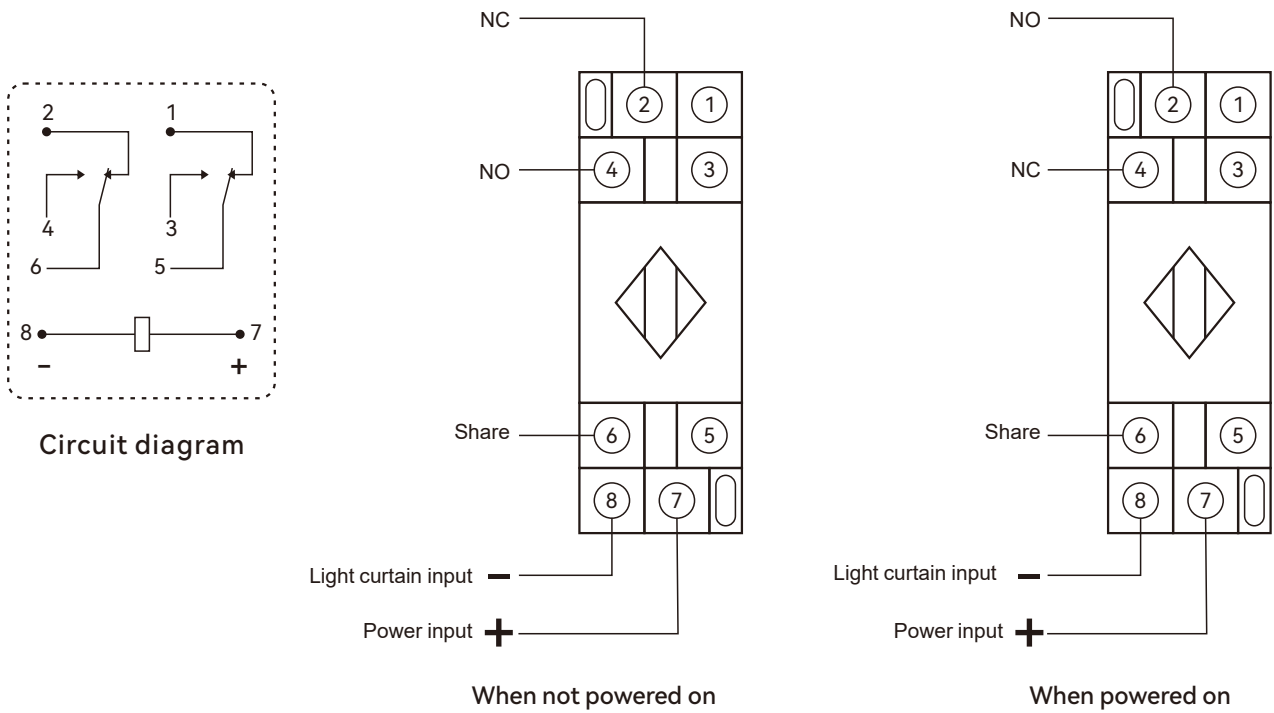
4.2 Wiring diagram of QSRN safety relay



4.3 Wiring diagram of LS-A safety relay

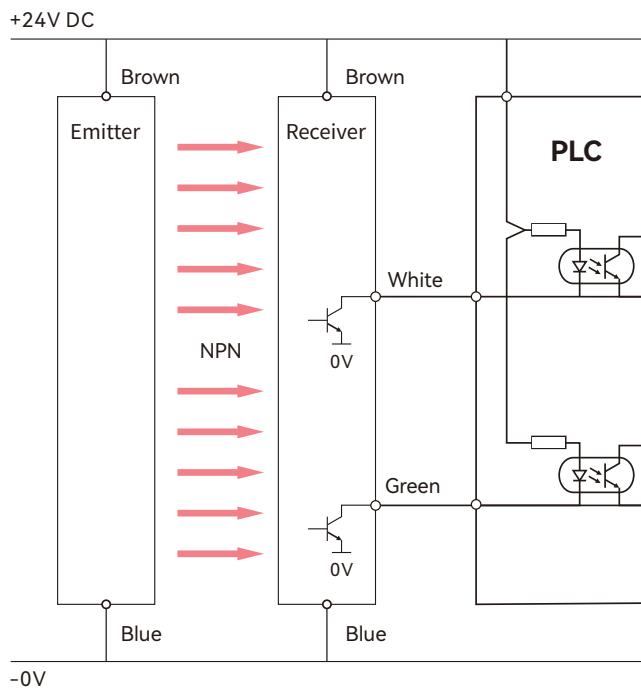


4.4 Wiring diagram of QET-1 light curtain relay

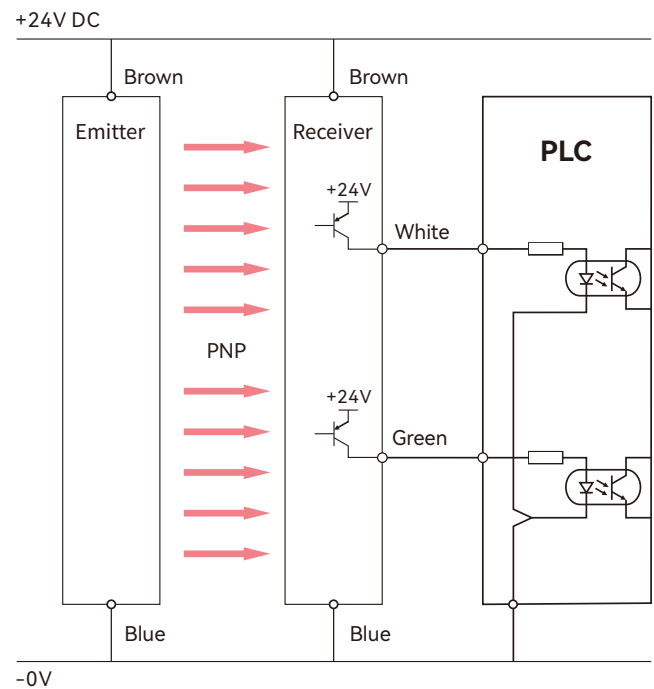


4.5 Wiring between light curtain and PLC and one-chip computer system


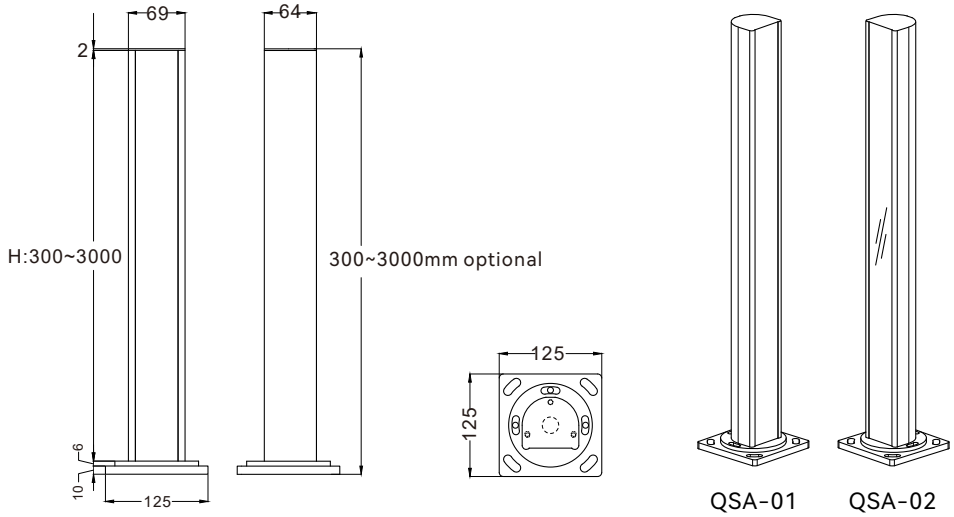

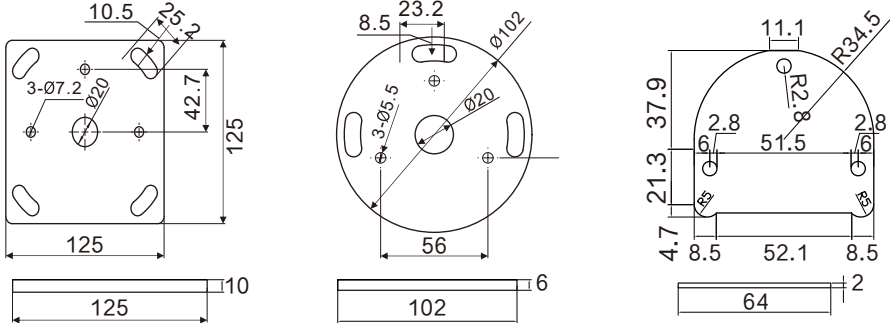


NPN wiring:



PNP wiring:

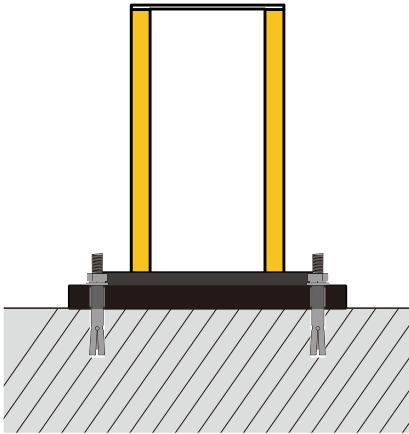


Outline size

Columns appearance	Columns dimension (unit: mm)
 <p>QSA-01 (Order separately)</p>	 <p>H:300~3000 300~3000mm optional</p> <p>QSA-01 QSA-02</p>
 <p>QSA-02 (Order separately)</p>	<p>Mounting dimension (unit: mm)</p> 
 <p>QSA-02 (Order separately)</p>	<p>Details Picture</p> 

Accessories

The equipment column can support independent installation of multiple beam safety gratings and safety light curtains on the ground, used for installing multiple side entrance and exit protective devices.



Concrete floor fixing expansion screws
(Original accessories)

