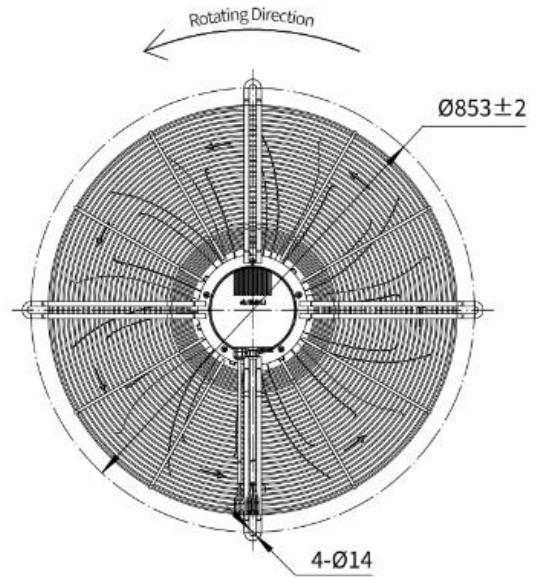
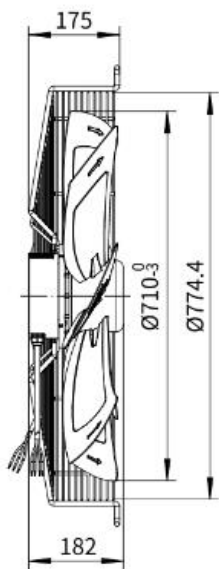


Diameter: EC710MM



Voltage Input: EC / DC

Voltage: 380V/400V

Power: 700W

Speed: 940Rpm

Diameter Φ : 710mm

Air Flow: 14750m³/h

Frequency: 50Hz / 60Hz

Current: 1.20A

Noise: 77dB

Ambient Temperature : -20°C/+60°C

Blades Material: Carbon Steel

Rotor Material: Carbon Steel

Insulation Class: F

Storage Temperature: -25°C/+65°C

Approvals: CCC, CE, UL