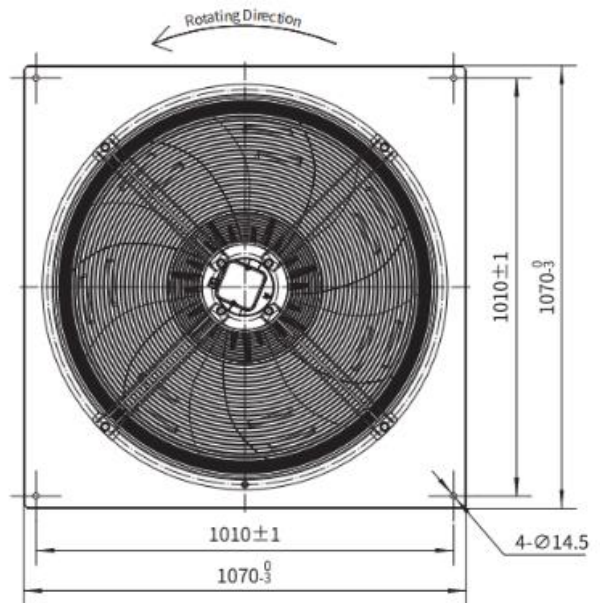
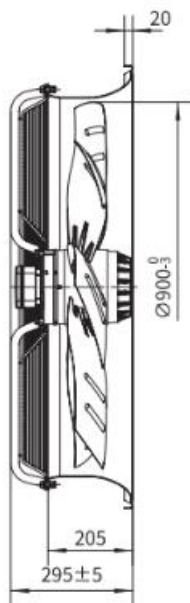


The biggest diameter axial fan in YADE factory

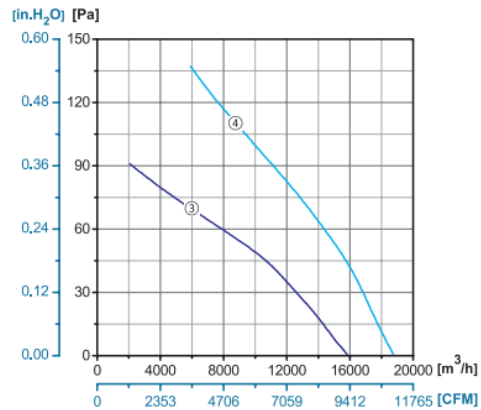
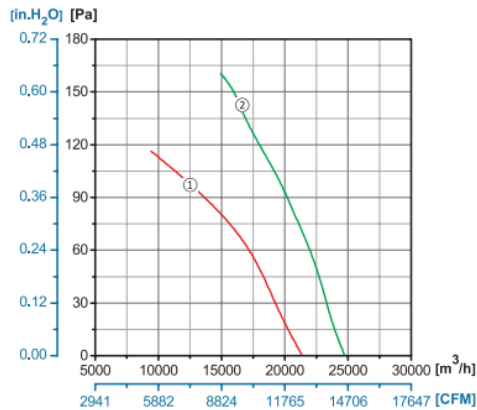


Diameter: 900mm



Performance Parameters

P-Q Curve(s)



Voltage Input: AC 3 Phase

Voltage: 380V/400V, 50Hz

Power: 1500W

Speed: 930Rpm

Diameter Φ : 900mm

Air Flow: 25000m³/h

Current: 3.2A

Noise (dB): 81

Ambient Temperature : -30°C/+60°C

Blades Material: Carbon Steel

Rotor Material: Aluminum Die-casting

Ingress Protection Rating: IP54

Insulation Class F

Storage Temperature: -40°C/+80°C

Approvals: CCC, CE