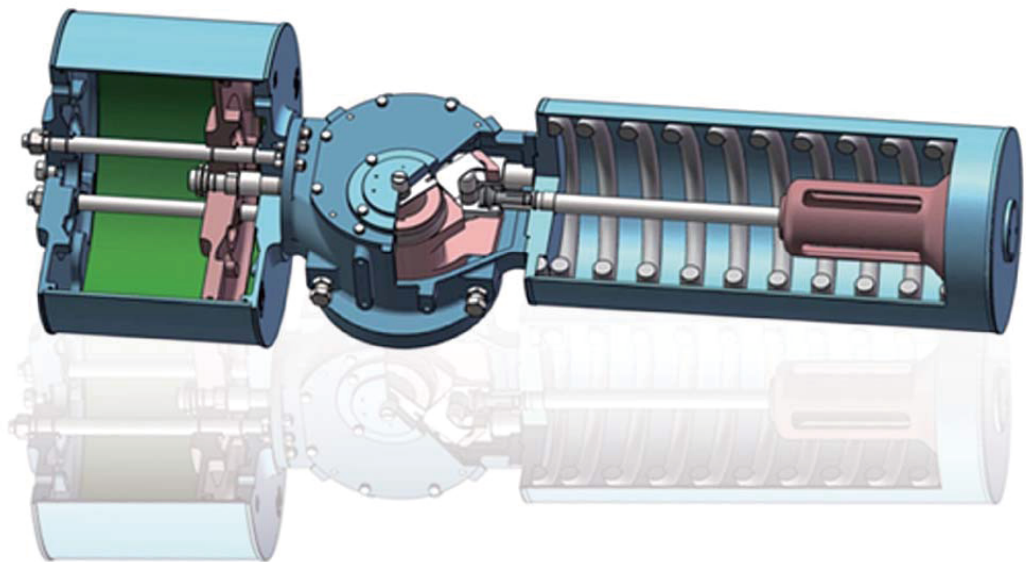




UGS-Series Scotch Yoke Actuator



High performance and high reliability

Fully compliant with the latest international standards and regulations

More applicable to a wide range of specifications and torque requirements

Compact design is better suited for a variety of industrial applications



Features

● Waterproof Protection

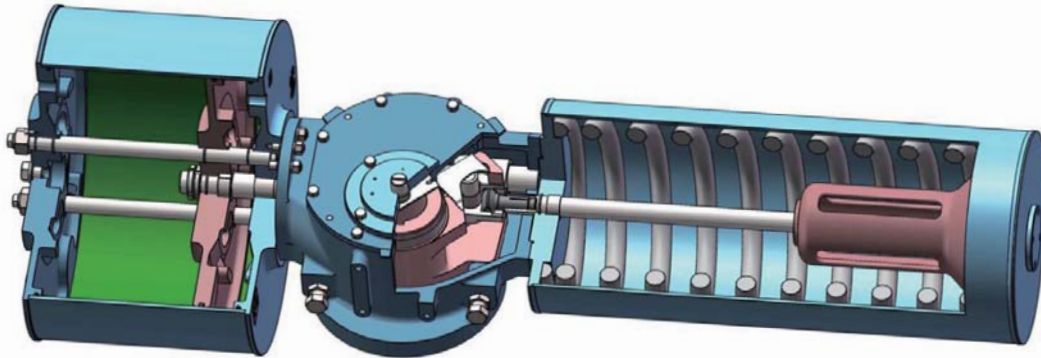
O-Rings are fitted between the body and cover as well as on the modular connections which ensure weatherproof protection.

● Application

Pneumatic Operating Press.: 3~6Barr;
 Operating Temperature:
 Standard: -20°C~80°C;
 High temperature: -10°C~150°C;
 Low temperature: -40°C~80°C.

● Corrosion Resistant

UGS actuator is sprayed with multiple layers of protective coating to meet the environmental requirements of all kinds of working conditions. A Teflon coating on the inner wall of the cylinder increases the corrosion resistance and the lubrication performance.



● Wear Resistant

Self-lubricating bearings are used on piston rod, guide bar and other moving parts, which reduces resistance and extends the life of all moving parts.

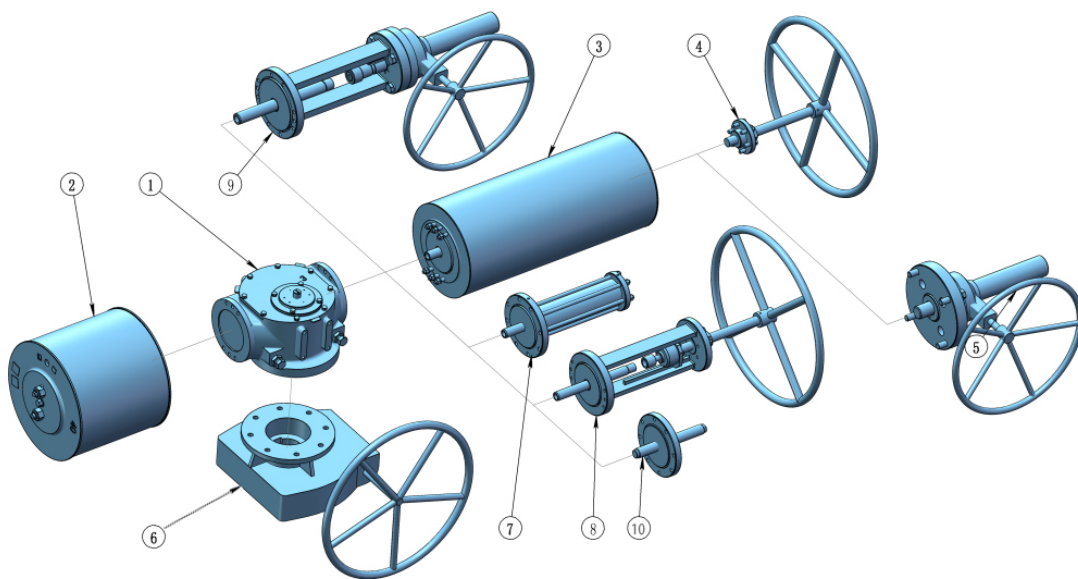
● Modular Design

UGS actuator uses a modular design, each body module can have different cylinder modules and spring modules to meet the various torque requirements. Our modular design makes assembly easier, which is conducive to on-site maintenance.

● Cylinder With Internal Tie-Rod

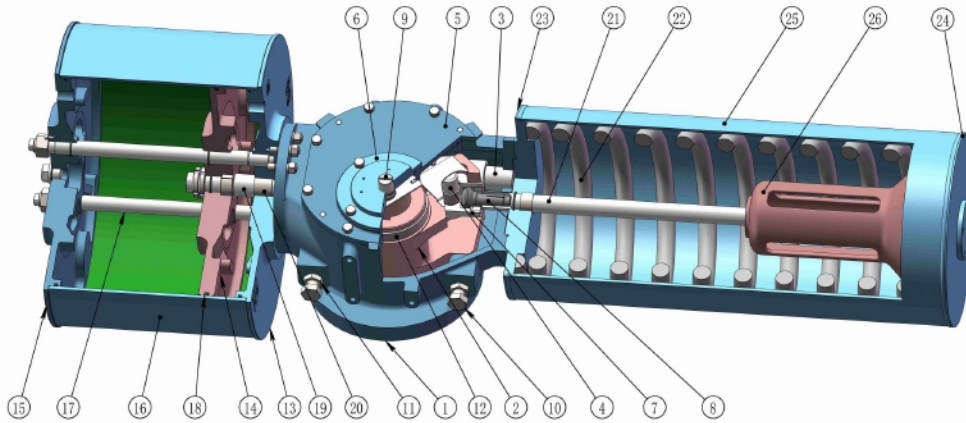
The air cylinder is designed with internal tie rods to reduce the size of the cylinder. This design provides the function of supporting and guiding the piston to prevent the eccentric wear of the cylinder as well as to offer the most stable, and long lasting service.

Modular



1. Drive module	3. Spring module	5. Bevel gear manual module	7. Hydraulic manual module	9. Double-acting bevel gear manual module
2. Cylinder module	4. Screw manual module	6. Clutch manual module	8. Double-acting screw manual module	10. Limit module

Assembly Drawing



No.	Name	Material
1	Body	Ductile Iron
2	Yoke	Ductile Iron
3	Guide Bar	Alloy Steel
4	Pin	Alloy Steel
5	Body Cover	Ductile Iron
6	Cover	Carbon Steel
7	Guide Block	Ductile Iron
8	Connectors	Alloy Steel
9	Drive Shaft	Stainless Steel

No.	Name	Material
10	Adjust Bolt	Stainless Steel
11	Nut	Stainless Steel
12	Yoke Bearing	DU Bearing
13	Cylinder Cover	Ductile Iron
14	Piston	Ductile Iron
15	Cylinder Cover	Ductile Iron
16	Cylinder	Carbon Steel
17	Cylinder Tie Rod	Alloy Steel
18	Sealing Ring	NBR

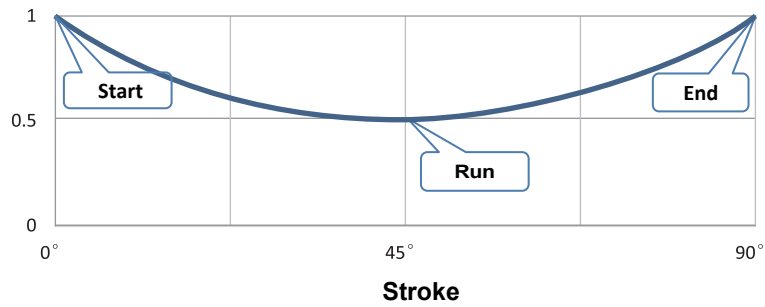
No.	Name	Material
19	Piston Rod	Alloy Steel
20	Piston Rod Bearing	DU Bearing
21	Tension Rod	Alloy Steel
22	Spring	Alloy Steel
23	Spring Cover	Carbon Steel
24	Spring Cover	Carbon Steel
25	Spring Cylinder	Carbon Steel
26	Spring Seat	Ductile Iron

Cylinder Volume

Model	Cylinder Effective Volume (L)													
	200	250	300	350	400	450	500	600	700	700 D	800	800 D	900	1000
UGS1	6.8	10.6	15.4	18.2										
UGS2		10.6	15.4	18.2	21.3	28.6								
UGS3			18.4	21.7	27.5	37	43							
UGS4				26.6	33.7	45.3	53	76						
UGS5							69	100	145		189			
UGS6								124	180	360	234		296	
UGS7									214	428	275	550	353	430

Torque Sheet

Double Acting



Double Acting

Model		Output Torque (Nm)							
		3 Bar	3.5 Bar	4 Bar	5 Bar	5.5 Bar	6 Bar	7 Bar	8 Bar
UGS1-200	Start/End	1066	1244	1421	1777	1954	2132	2472	2825
	Run	563	656	750	938	1031	1125	1305	1491
UGS1-250	Start/End	1701	1985	2269	2836	3119	3403		
	Run	898	1048	1197	1497	1646	1796		
UGS1-300	Start/End	2459	2869	3278					
	Run	1298	1514	1730					
UGS1-350	Start/End	2948	3440						
	Run	1556	1815						
UGS2-250	Start/End	2098	2448	2797	3497	3847	4197	4896	5596
	Run	1107	1292	1477	1845	2030	2216	2584	2953
UGS2-300	Start/End	3033	3538	4043	5054	5560	6065		
	Run	1600	1867	2134	2667	2934	3201		
UGS2-350	Start/End	3636	4242	4848	6060	6666			
	Run	1919	2239	2559	3198	3518			
UGS2-400	Start/End	4799	5598	6398					
	Run	2533	2955	3377					
UGS3-300	Start/End	3647	4255	4863	6079	6687	7294	8510	9726
	Run	1925	2246	2567	3208	3529	3850	4491	5133
UGS3-350	Start/End	4373	5102	5831	7289	8017	8746	10204	11662
	Run	2308	2693	3077	3847	4231	4616	5385	6155
UGS3-400	Start/End	5771	6733	7695	9619	10581	11543		
	Run	3046	3554	4061	5077	5584	6092		
UGS3-450	Start/End	7345	8569	9794	12242				
	Run	3877	4523	5169	6461				
UGS3-500	Start/End	9128	10650	12171					
	Run	4818	5621	6424					
UGS4-350	Start/End	5307	6191	7076	8845	9729	10613	12382	14151
	Run	2801	3268	3734	4668	5135	5602	6535	7469
UGS4-400	Start/End	7003	8171	9338	11672	12840	14007	16341	18676
	Run	3696	4312	4928	6160	6776	7392	8625	9857
UGS4-450	Start/End	8913	10399	11884	14855	16341	17826	20798	
	Run	4704	5488	6272	7840	8624	9408	10976	
Model		3 Bar	3.5 Bar	4 Bar	5 Bar	5.5 Bar	6 Bar	7 Bar	8 Bar

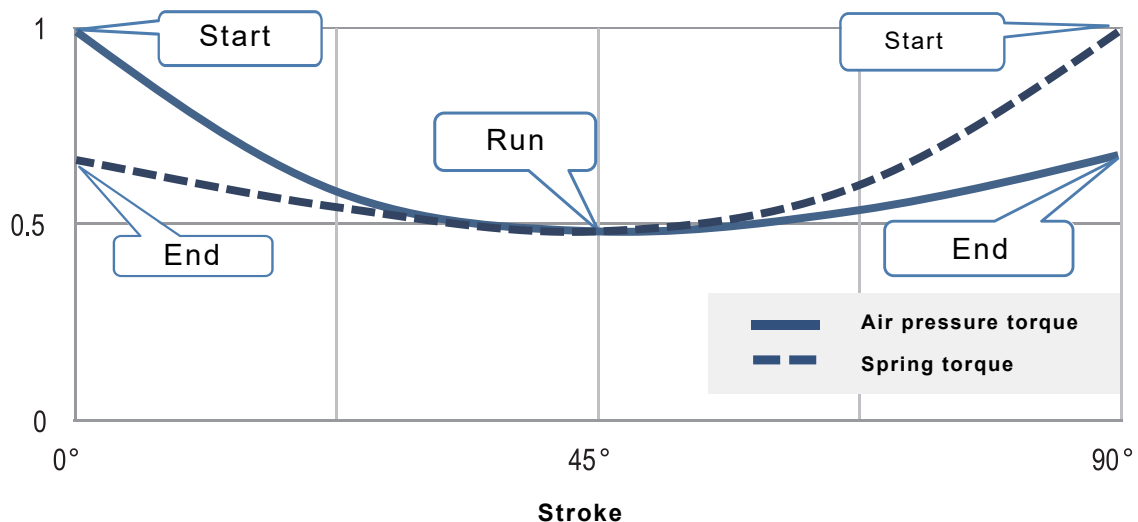
UGS-Series Scotch Yoke Actuator

A03

Double Acting

Model		Output Torque (Nm)							
		3 Bar	3.5 Bar	4 Bar	5 Bar	5.5 Bar	6 Bar	7 Bar	8 Bar
UGS4-500	Start/End	11077	12923	14769	18462	20308	22154		
	Run	5846	6821	7795	9744	10718	11692		
UGS4-600	Start/End	16031	18703	21375					
	Run	8461	9871	11281					
UGS5-500	Start/End	14359	16752	19146	23932	26325	28718	33505	38291
	Run	7578	8842	10105	12631	13894	15157	17683	20209
UGS5-600	Start/End	20781	24245	27708	34635	38099	41563		
	Run	10968	12796	14624	18280	20108	21936		
UGS5-700	Start/End	29889	34870	39852					
	Run	15775	18404	21033					
UGS5-800	Start/End	38750	45208						
	Run	20451	23860						
UGS6-600	Start/End	25383	29613	33844	42305	46535	50766	59227	67688
	Run	13397	15629	17862	22328	24560	26793	31259	35724
UGS6-700	Start/End	36507	42591	48676	60845	66929	73014		
	Run	19267	22479	25690	32112	35324	38535		
UGS6-800	Start/End	47330	55218	63107	78884				
	Run	24980	29143	33306	41633				
UGS6-900	Start/End	60792	70924	81057					
	Run	32085	37432	42780					
UGS7-700	Start/End	43339	50562	57785	72231	79454	86677	101123	115569
	Run	22873	26685	30497	38122	41934	45746	53371	60995
UGS7-800	Start/End	56187	65552	74916	93645	103010	112374		
	Run	29654	34597	39539	49424	54366	59309		
UGS7-900	Start/End	72169	84197	96225	120281				
	Run	38089	44437	50785	63482				
UGS7-1000	Start/End	87581	102178	116775					
	Run	46224	53927	61631					

Spring Return Torque Curve



UGS-Series Scotch Yoke Actuator

A03

Spring Return Acting

Model	Spring Torque (Nm)		Output Torque (Nm)							
			3 Bar	3.5 Bar	4 Bar	5 Bar	5.5 Bar	6 Bar	7 Bar	8 Bar
UGS1-200-SR4	Start	718		558	735	1088	1264	1441	1790	2143
	Run	353		266	359	546	639	732	916	1102
	End	619		450	627	980	1156	1333	1683	2035
UGS1-200-SR3	Start	1313					699	875	1228	1580
	Run	645					317	410	596	782
	End	1132					501	678	1030	1382
UGS1-250-SR3	Start	1313		746	1030	1597	1880	2164	2731	3298
	Run	645		341	491	790	940	1090	1389	1688
	End	1132		548	832	1399	1682	1966	2533	3100
UGS1-300-SR3	Start	1313	1220	1630	2039	2859	3269			
	Run	645	592	808	1024	1457	1673			
	End	1132	1022	1432	1842	2661	3071			
UGS1-350-SR3	Start	1313	1709	2201	2692					
	Run	645	850	1109	1369					
	End	1132	1511	2003	2494					
UGS1-200-SR2	Start	1529						705	1057	1410
	Run	743						303	489	674
	End	1288						441	794	1146
UGS1-250-SR2	Start	1529		576	859	1426	1710	1993	2561	3128
	Run	743		235	384	683	833	982	1282	1581
	End	1288		312	595	1163	1446	1730	2297	2864
UGS1-300-SR2	Start	1529	1049	1459	1869	2689	3098			
	Run	743	484	701	917	1349	1566			
	End	1288	786	1196	1605	2425	2835			
UGS1-350-SR2	Start	1529	1539	2030	2522					
	Run	743	743	1002	1261					
	End	1288	1275	1766	2258					
UGS1-200-SR1	Start	1743							864	1216
	Run	847							376	562
	End	1465							560	912
UGS1-250-SR1	Start	1743			665	1232	1516	1800	2367	2934
	Run	847			271	570	720	870	1169	1468
	End	1465			361	928	1212	1496	2063	2630
UGS1-300-SR1	Start	1743	856	1265	1675	2495	2905	3314		
	Run	847	371	588	804	1236	1453	1669		
	End	1465	552	961	1371	2191	2601	3010		
UGS1-350-SR1	Start	1743	1345	1836	2328	3310				
	Run	847	630	889	1148	1667				
	End	1465	1041	1532	2024	3006				
UGS2-250-SR3	Start	2537				1370	1720	2070	2769	3469
	Run	1182				552	737	921	1290	1659
	End	1944				722	1071	1421	2120	2820
Model	Spring Torque(Nm)		3 Bar	3.5 Bar	4 Bar	5 Bar	5.5 Bar	6 Bar	7 Bar	8 Bar

UGS-Series Scotch Yoke Actuator

A03

Spring Return Acting

Model	Spring Torque (Nm)		Output Torque (Nm)							
			3 Bar	3.5 Bar	4 Bar	5 Bar	5.5 Bar	6 Bar	7 Bar	8 Bar
UGS2-300-SR3	Start	2537		1411	1916	2927	3432	3938	4949	5960
	Run	1182		574	840	1374	1640	1907	2441	2974
	End	1944		762	1268	2278	2784	3289	4300	5311
UGS2-350-SR3	Start	2537	1509	2115	2721	3933	4539	5145	6357	
	Run	1182	625	945	1265	1905	2224	2544	3184	
	End	1944	860	1466	2072	3284	3890	4496	5708	
UGS2-400-SR3	Start	2537	2671	3471	4271	5871				
	Run	1182	1239	1661	2083	2927				
	End	1944	2023	2822	3622	5222				
UGS2-250-SR2	Start	2851					1393	1742	2442	3141
	Run	1344					559	744	1113	1482
	End	2243					728	1077	1777	2476
UGS2-300-SR2	Start	2851			1589	2600	3105	3611	4621	5632
	Run	1344			663	1197	1463	1730	2264	2797
	End	2243			924	1935	2440	2946	3956	4967
UGS2-350-SR2	Start	2851		1787	2394	3606	4212	4818	6030	
	Run	1344		768	1088	1727	2047	2367	3007	
	End	2243		1123	1729	2941	3547	4153	5365	
UGS2-400-SR2	Start	2851	2344	3144	3944	5543	6343			
	Run	1344	1062	1475	1906	2750	3172			
	End	2243	1679	2479	3279	4878	5678			
UGS2-250-SR1	Start	3614							1856	2556
	Run	1687							738	1108
	End	2778							942	1641
UGS2-300-SR1	Start	3614				2014	3021	3025	4036	5047
	Run	1687				822	1233	1355	1889	2422
	End	2778				1100	1650	2111	3121	4132
UGS2-350-SR1	Start	3614			1808	3020	3626	4232	5444	
	Run	1687			713	1353	1673	1992	2632	
	End	2778			894	2106	2712	3318	4530	
UGS2-400-SR1	Start	3614	1759	2559	3358	4958	5758			
	Run	1687	687	1109	1531	2375	2797			
	End	2778	844	1644	2444	4043	4843			
UGS2-450-SR1	Start	3614	3067	4085	5103					
	Run	1687	1378	1915	2452					
	End	2778	2153	3171	4188					
UGS3-300-SR3	Start	4194				2561	3169	3777	4992	6208
	Run	1955				1069	1390	1710	2352	2994
	End	3215				1489	2097	2705	3921	5137
UGS3-350-SR3	Start	4194			2313	3771	4500	5228	6686	8144
	Run	1955			938	1707	2092	2477	3246	4015
	End	3215			1242	2699	3428	4157	5615	7072
UGS3-400-SR3	Start	4194	2253	3216	4177	6101	7063	8025	9948	11872
	Run	1955	907	1414	1922	2937	3445	3953	4968	5983
	End	3215	1182	2144	3106	5030	5991	6953	8877	10801
UGS3-450-SR3	Start	4194	3827	5051	6275	8724	9948	11172		
	Run	1955	1737	2383	3029	4322	4968	5614		
	End	3215	2756	3980	5204	7653	8877	10101		
Model	Spring Torque(Nm)		3 Bar	3.5 Bar	4 Bar	5 Bar	5.5 Bar	6 Bar	7 Bar	8 Bar

UGS-Series Scotch Yoke Actuator

A03

Spring Return Acting

Model	Spring Torque (Nm)		Output Torque (Nm)							
			3 Bar	3.5 Bar	4 Bar	5 Bar	5.5 Bar	6 Bar	7 Bar	8 Bar
UGS3-500-SR3	Start	4194	5610	7132	8653	11696				
	Run	1955	2678	3481	4284	5890				
	End	3215	4539	6061	7582	10625				
UGS3-300-SR2	Start	4795					2665	3273	4488	5704
	Run	2235					1083	1404	2046	2687
	End	3675					1440	2047	3263	4479
UGS3-350-SR2	Start	4795				3267	4900	4725	6182	7640
	Run	2235				1401	2101	2170	2940	3709
	End	3675				2042	3062	3499	4957	6415
UGS3-400-SR2	Start	4795		2712	3673	5597	6559	7521	9445	11368
	Run	2235		1108	1615	2631	3138	3646	4661	5677
	End	3675		1486	2448	4372	5334	6296	8219	10143
UGS3-450-SR2	Start	4795	3323	4548	5772	8220	10669			
	Run	2235	1431	2077	2723	4015	5307			
	End	3675	2098	3322	4547	6995	9443			
UGS3-500-SR2	Start	4795	5107	6628	8149	11192				
	Run	2235	2372	3175	3978	5584				
	End	3675	3881	5403	6924	9967				
UGS3-300-SR2A	Start	5419						2749	3965	5191
	Run	2526						1085	1727	2369
	End	4154						1364	2580	3796
UGS3-350-SR2A	Start	5419					2743	4201	5659	7117
	Run	2526					1082	1852	2621	3390
	End	4154					1358	2816	4274	5731
UGS3-400-SR2A	Start	5419				3150	5074	6997	8921	10845
	Run	2526				1297	2312	3328	4343	5358
	End	4154				1765	3689	5612	7536	9460
UGS3-450-SR2A	Start	5419			4024	5248	7697	10145	12594	
	Run	2526			1758	2404	3697	4989	6281	
	End	4154			2639	3863	6312	8760	11208	
UGS3-500-SR2A	Start	5419	4583	6105	7626	10669				
	Run	2526	2053	2856	3659	5265				
	End	4154	3198	4719	6241	9284				
UGS3-300-SR1	Start	6219							3294	4510
	Run	2899							1319	1961
	End	4767							1704	2920
UGS3-350-SR1	Start	6219					2801	3530	4988	6445
	Run	2899					1059	1444	2213	2982
	End	4767					1212	1941	3398	4856
UGS3-400-SR1	Start	6219			2479	4402	5364	6326	8250	10174
	Run	2899			889	1904	2412	2919	3935	4950
	End	4767			889	2813	3775	4737	6661	8584
UGS3-450-SR1	Start	6219		3353	4577	7026	8250	9474	11922	
	Run	2899		1350	1996	3289	3935	4581	5873	
	End	4767		1764	2988	5436	6660	7885	10333	
UGS3-500-SR1	Start	6219	3912	5433	6955	9997	11519			
	Run	2899	1645	2448	3251	4857	5660			
	End	4767	2323	3844	5365	8408	9930			
UGS4-350-SR4	Start	7842						4433	6202	7971
	Run	3560						1706	2640	3573
	End	5648						2032	3801	5570
UGS4-400-SR4	Start	7842				5492	8238	7826	10161	12495
	Run	3560				2265	3397	3497	4729	5961
	End	5648				3091	4636	5425	7760	10094
UGS4-450-SR4	Start	7842			5704	8675	10161	11646	14617	17588
	Run	3560			2377	3945	4029	5513	7081	8649
	End	5648			3303	6274	7759	9245	12216	15187
Model	Spring Torque(Nm)	3 Bar	3.5 Bar	4 Bar	5 Bar	5.5 Bar	6 Bar	7 Bar	8 Bar	

UGS-Series Scotch Yoke Actuator

A03

Spring Return Acting

Model	Spring Torque (Nm)	Output Torque (Nm)								
		3 Bar	3.5 Bar	4 Bar	5 Bar	5.5 Bar	6 Bar	7 Bar	8 Bar	
UGS4-500-SR4	Start	7842	4897	6742	8589	12281	14128	15974	19666	
	Run	3560	1951	2925	3899	5848	6823	7797	9746	
	End	5648	2495	4341	6188	9880	11726	13572	17265	
UGS4-600-SR4	Start	7842	9851	12523	15195	20539	23210			
	Run	3560	4565	5976	7386	10206	11616			
	End	5648	7450	10122	12793	18137	20809			
UGS4-350-SR3	Start	9336							5156	6925
	Run	4206							1932	2866
	End	6603							2167	3935
UGS4-400-SR3	Start	9336				6669	6781	9115	11450	
	Run	4206				2336	2790	4022	5254	
	End	6603				2185	3791	6125	8460	
UGS4-450-SR3	Start	9336			7629	9115	10600	13572	16543	
	Run	4206			3238	4022	4806	6374	7942	
	End	6603			4640	6125	7611	10582	13553	
UGS4-500-SR3	Start	9336	5698	7543	11236	13082	14928	18620	22313	
	Run	4206	2218	3192	5141	6115	7090	9038	10987	
	End	6603	2708	4554	8246	10092	11938	15631	19323	
UGS4-600-SR3	Start	9336	8805	11477	14149	19493	22165			
	Run	4206	3858	5268	6679	9499	10909			
	End	6603	5815	8487	11159	16503	19175			
UGS4-400-SR2	Start	11174						7714	10048	
	Run	5029						3121	4353	
	End	7884						4114	6448	
UGS4-450-SR2	Start	11174			6228	7714	9199	12170	15141	
	Run	5029			2337	3121	3905	5473	7041	
	End	7884			2628	4114	5599	8570	11541	
UGS4-500-SR2	Start	11174		6142	9834	11681	13527	17219	20911	
	Run	5029		2292	4240	5215	6189	8138	10087	
	End	7884		2542	6234	8081	9927	13619	17312	
UGS4-600-SR2	Start	11174	7404	10076	12748	18091	20763			
	Run	5029	2958	4368	5778	8598	10008			
	End	7884	3804	6476	9148	14492	17163			
UGS4-400-SR1	Start	12586						6286	8620	
	Run	5746						2337	3569	
	End	9189						2568	4903	
UGS4-450-SR1	Start	12586				6286	7771	10742	13713	
	Run	5746				2336	3120	4689	6257	
	End	9189				2568	4054	7025	9996	
UGS4-500-SR1	Start	12586			8406	10253	12099	15791	19484	
	Run	5746			3456	4430	5404	7353	9302	
	End	9189			4689	6535	8381	12074	15766	
UGS4-600-SR1	Start	12586	8648	11320	16663	19335	22007			
	Run	5746	3583	4993	7814	9224	10634			
	End	9189	4930	7602	12946	15618	18290			
UGS5-500-SR4	Start	17538				14179	16572	21359	26145	
	Run	7557				5624	6887	9413	11940	
	End	11100				7134	9527	14313	19100	
UGS5-600-SR4	Start	17538	12099	15562	22489	25953	29416	36344	43271	
	Run	7557	4526	6354	10010	11838	13666	17322	20978	
	End	11100	5053	8517	15444	18908	22371	29298	36225	
Model	Spring Torque(Nm)	3 Bar	3.5 Bar	4 Bar	5 Bar	5.5 Bar	6 Bar	7 Bar	8 Bar	

UGS-Series Scotch Yoke Actuator

A03

Spring Return Acting

Model	Spring Torque (Nm)		Output Torque (Nm)							
			3 Bar	3.5 Bar	4 Bar	5 Bar	5.5 Bar	6 Bar	7 Bar	8 Bar
UGS5-700-SR4	Start	17538	17742	22723	27705	37668	42650			
	Run	7557	7505	10134	12763	18021	20650			
	End	11100	10697	15769	20660	30623	35604			
UGS5-800-SR4	Start	17538	26604	33062	39520					
	Run	7557	12182	15590	18999					
	End	11100	19558	26017	32475					
UGS5-500-SR3	Start	21048						14357	19144	23930
	Run	9017						5289	7815	10342
	End	13124						5686	10473	15259
UGS5-600-SR3	Start	21048			13347	20274	23738	27202	34129	41056
	Run	9017			4756	8412	10240	12068	15724	19380
	End	13124			4676	11603	15067	18530	25458	32385
UGS5-700-SR3	Start	21048	15528	20509	25491	35453	40435			
	Run	9017	5907	8536	11165	16423	19052			
	End	13124	6857	11838	16819	26782	31764			
UGS5-800-SR3	Start	21048	24389	30847	37305					
	Run	9017	10584	13992	17401					
	End	13124	15718	22176	28634					
UGS5-500-SR2	Start	25892							16641	21427
	Run	10899							5756	8282
	End	15411							5172	9959
UGS5-600-SR2	Start	25892				17772	21235	24699	31626	38553
	Run	10899				6353	8181	10009	13665	17321
	End	15411				6303	9766	13230	20157	27084
UGS5-700-SR2	Start	25892		18006	22988	32951	37932	42913		
	Run	10899		6477	9106	14364	16993	19622		
	End	15411		6538	11519	21482	26463	31445		
UGS5-800-SR2	Start	25892	21886	28344	34803					
	Run	10899	8524	11933	15342					
	End	15411	10417	16876	23334					
UGS5-500-SR1	Start	28823								18410
	Run	12400								6640
	End	18168								6751
UGS5-600-SR1	Start	28823					18218	21681	28609	35536
	Run	12400					6538	8366	12022	15678
	End	18168					6559	10022	16949	23877
UGS5-700-SR1	Start	28823			19970	29933	34915	39896		
	Run	12400			7463	12721	15350	17980		
	End	18168			8311	18274	23256	28237		
UGS5-800-SR1	Start	28823	18869	25327	31785	44702				
	Run	12400	6882	10290	13699	20516				
	End	18168	7210	13668	20126	33043				
UGS6-600-SR4	Start	34600						27413	35874	44335
	Run	14762						10639	15105	19570
	End	21341						12904	21365	29826
UGS6-700-SR4	Start	34600			25323	37492	43577	49661	61830	73999
	Run	14762			9536	15959	19170	22381	28804	35226
	End	21341			10814	22983	29067	35152	47321	59489
UGS6-800-SR4	Start	34600	23978	31866	39754	55531	63419	71308		
	Run	14762	8826	12989	17153	25479	29642	33806		
	End	21341	9468	17356	25245	41021	48910	56798		
Model	Spring Torque(Nm)		3 Bar	3.5 Bar	4 Bar	5 Bar	5.5 Bar	6 Bar	7 Bar	8 Bar

UGS-Series Scotch Yoke Actuator

A03

Spring Return Acting

Model	Spring Torque (Nm)		Output Torque (Nm)							
			3 Bar	3.5 Bar	4 Bar	5 Bar	5.5 Bar	6 Bar	7 Bar	8 Bar
UGS6-900-SR4	Start	34600	37440	47572	57704	77968				
	Run	14762	15931	21278	26626	37321				
	End	21341	22930	33063	43194	63459				
UGS6-600-SR3	Start	41067							31802	40263
	Run	17451							12163	16628
	End	25062							14288	22749
UG6-700-SR3	Start	41067				33420	39504	45589	57758	69927
	Run	17451				13016	16228	19439	25861	32284
	End	25062				15906	21990	28075	40244	52413
UGS6-800-SR3	Start	41067		27793	35682	51459	59347	67236		
	Run	17451		10047	14210	22537	26700	30864		
	End	25062		10279	18168	33945	41833	49721		
UGS6-900-SR3	Start	41067	33368	43500	53632	73896				
	Run	17451	12989	18336	23684	34379				
	End	25062	15853	25986	36118	56382				
UGS6-700-SR2	Start	49840						40065	52234	64403
	Run	21098						15448	21871	28293
	End	30110						18475	30644	42813
UGS6-800-SR2	Start	49840				45935	53823	61712	77488	
	Run	21098				18546	22709	26873	35199	
	End	30110				24345	32234	40122	55899	
UGS6-900-SR2	Start	49840		37976	48108	68372	78504			
	Run	21098		14345	19693	30388	35735			
	End	30110		16386	26518	46782	56914			
UGS6-700D-SR2	Start	49840	40065	52234	64403					
	Run	21098	15448	21871	28293					
	End	30110	18475	30644	42813					
UGS6-700-SR1	Start	56307						35993	48162	60330
	Run	23787						12506	18928	25351
	End	33832						11398	23567	35736
UGS6-800-SR1	Start	56307				41863	62794	57639	73416	
	Run	23787				15604	23406	23931	32257	
	End	33832				17268	25902	33045	48822	
UGS6-900-SR1	Start	56307			44036	64300	74432			
	Run	23787			16751	27446	32793			
	End	33832			19441	39705	49837			
UGS6-700D-SR1	Start	56307	35993	48162	60330					
	Run	23787	12506	18928	25351					
	End	33832	11398	23567	35736					
UGS7-700-SR3	Start	57016					34894	42117	56563	71009
	Run	25792					13711	17523	25147	32772
	End	40721					17063	24286	38732	53178
Model	Spring Torque(Nm)		3 Bar	3.5 Bar	4 Bar	5 Bar	5.5 Bar	6 Bar	7 Bar	8 Bar

UGS-Series Scotch Yoke Actuator

A03

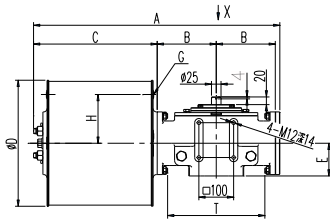
Spring Return Acting

Model	Spring Torque (Nm)		Output Torque (Nm)							
			3 Bar	3.5 Bar	4 Bar	5 Bar	5.5 Bar	6 Bar	7 Bar	8 Bar
UGS7-800-SR3	Start	57016			30356	49085	58450	67814	86543	105272
	Run	25792			11316	21201	26143	31086	40970	50855
	End	40721			12525	31254	40619	49984	68713	87442
UGS7-900-SR3	Start	57016		39637	51665	75721	87749	99777	123834	
	Run	25792		16215	22562	35259	41607	47955	60651	
	End	40721		21806	33834	57890	69918	81947	106003	
UGS7-1000-SR3	Start	57016	43021	57619	72215	101409	116006	130603		
	Run	25792	18000	25704	33408	48816	56520	64224		
	End	40721	25191	39787	54384	83578	98175	112772		
UGS7-700-SR2	Start	67109						34306	48752	63198
	Run	30339						12547	20172	27796
	End	47859						13242	27688	42134
UGS7-800-SR2	Start	67109				41274	61911	60003	78732	97462
	Run	30339				16225	24338	26110	35995	45879
	End	47859				20210	30315	38939	57668	76397
UGS7-900-SR2	Start	67109		31826	43854	67910	79938	91966	116023	
	Run	30339		11238	17587	30283	36631	42979	55676	
	End	47859		10761	22790	46846	58874	70902	94959	
UGS7-1000-SR2	Start	67109	35210	49807	64404	93598	108195	122792		
	Run	30339	13025	20728	28433	43840	51544	59248		
	End	47859	14146	28743	43340	72534	87131	101728		
UGS7-800D-SR2	Start	67109	60003	78732	97462					
	Run	30339	26110	35995	45879					
	End	47859	38939	57668	76397					
UGS7-800-SR1	Start	83319						50656	69385	88114
	Run	36871						18962	28847	38732
	End	56401						21200	39929	58658
UGS7-900-SR1	Start	83319				58563	87845	82619	106676	
	Run	36871				23135	34703	35832	48528	
	End	56401				29107	43661	53163	77220	
UGS7-1000-SR1	Start	83319			55057	84251	98848	113445		
	Run	36871			21285	36693	44397	52101		
	End	56401			25601	54795	69392	83989		
UGS7-800D-SR1	Start	83319	50656	69385	88114	125573				
	Run	36871	18962	28847	38732	58501				
	End	56401	21200	39929	58658	96117				
Model	Spring Torque(Nm)		3 Bar	3.5 Bar	4 Bar	5 Bar	5.5 Bar	6 Bar	7 Bar	8 Bar

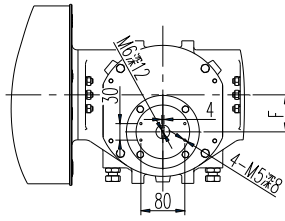
UGS-Series Scotch Yoke Actuator

A03

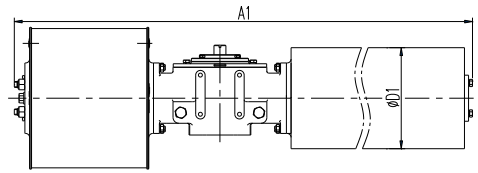
Dimension Drawing



Double acting



View X



Spring return acting

Dimension Sheet

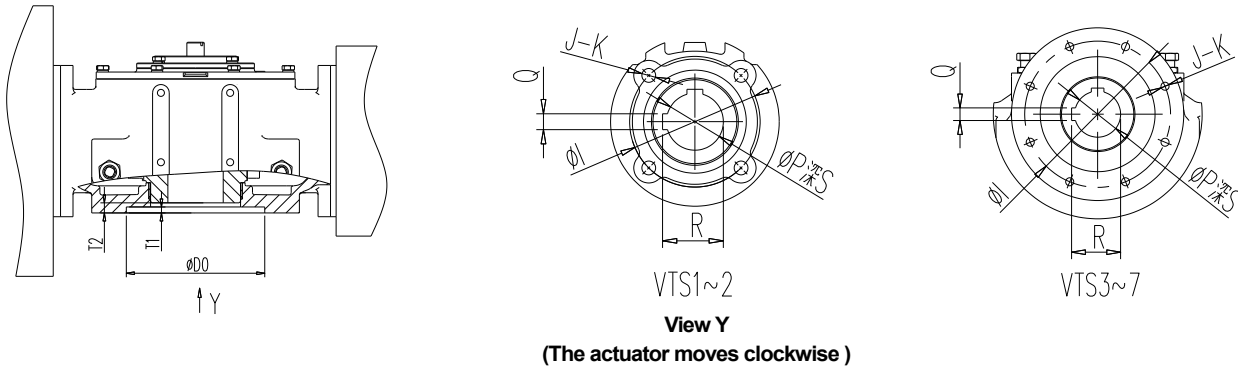
Model	Spring return (mm)										
	Double acting(mm)									A1	$\phi D1$
	A	B	C	ϕD	E	F	G	H	T		
UGS1-200	658	145	355	223	88	60	RC 3/8	80	235	1370	220
UGS1-250	658	145	355	280	88	60	RC 1/2	110	235	1370	220
UGS1-300	658	145	355	332	88	60	RC 1/2	124	235	1370	220
UGS1-350	658	145	355	362	88	60	RC 1/2	132	235	1370	220
UGS2-250	709	170	355	280	94	74	RC 1/2	110	285	1440	274
UGS2-300	709	170	355	332	94	74	RC 1/2	124	285	1440	274
UGS2-350	709	170	355	362	94	74	RC 1/2	132	285	1440	274
UGS2-400	725	170	372	413	94	74	RC 3/4	158	285	1456	274
UGS2-450	778	170	425	463	94	74	RC 3/4	178	285	1510	274
UGS3-300	816	195	411	332	98	89	RC 1/2	124	320	1591	327
UGS3-350	816	195	411	362	98	89	RC 1/2	132	320	1591	327
UGS3-400	827	195	422	413	98	89	RC 3/4	158	320	1602	327
UGS3-450	830	195	425	463	98	89	RC 3/4	178	320	1605	327
UGS3-500	830	195	425	514	98	89	RC 3/4	202	320	1605	327
UGS4-350	977	238	487	362	115	108	RC 1/2	132	396	1927	408
UGS4-400	977	238	487	413	115	108	RC 3/4	158	396	1927	408
UGS4-450	980	238	490	463	115	108	RC 3/4	178	396	1930	408
UGS4-500	980	238	490	514	115	108	RC 3/4	202	396	1930	408
UGS4-600	1000	238	510	616	115	108	RC 3/4	244	396	1950	408
UGS5-500	1191	298	580	514	163	140	RC 3/4	202	505	2249	508
UGS5-600	1211	298	600	616	163	140	RC 3/4	244	505	2269	508
UGS5-700	1244	298	633	739	163	140	RC 1	305	505	2302	508
UGS5-800	1280	298	679	839	163	140	RC 1-1/2	355	505	2348	508
UGS6-600	1470	370	700	616	203	171	RC 3/4	244	620	2636	682
UGS6-700	1523	370	753	739	203	171	RC 1	305	620	2689	682
UGS6-800	1532	370	762	839	203	171	RC 1-1/2	355	620	2698	682
UGS6-900	1536	370	766	947	203	171	RC 1-1/2	402	620	2702	682
UGS6-700D	-	370	1500	739	203	171	RC 1	305	620	3436	682
UGS7-700	1760	425	880	739	214	203	RC 1	305	690	3590	682
UGS7-800	1760	425	880	839	214	203	RC 1-1/2	355	690	3590	682
UGS7-900	1760	425	880	947	214	203	RC 1-1/2	402	690	3590	682
UGS7-1000	1760	425	880	1048	214	203	RC 2	456	690	3590	682
UGS7-800D	-	425	1725	839	214	203	RC 1-1/2	355	690	4435	682

Note: Air source interface standard configuration RC, optional configuration NPT, if you need special thread and diameter should be specified in the order.

UGS-Series Scotch Yoke Actuator

A03

Mounting Dimensions



Connection dimension sheet

Model	Dimension (mm)								
	ϕI	J-K	ϕP	S	Q	R	$\phi D0$	T1	T2
UGS1	140	4-M16	60	145	18	64.4	100	10	14
UGS2	165	4-M20	72	155	20	76.9	130	10	15
UGS3	254	8-M16	80	175	22	85.4	200	6	7
UGS4	298	8-M20	100	200	28	106.4	230	10	12
UGS5	356	8-M30	160	295	40	169.4	260	10	15
UGS6	406	8-M36	180	360	45	190.4	300	10	21
UGS7	483	12-M36	220	380	50	231.4	370	10	20

Manual modular

Model	ISO flange connection	Torque Range (NM)	Double Acting (DA)				Spring Return Acting (SR)			
			Screw		Worm gear manual override MW	Hydraulic	Screw		Worm gear manual override MW	Hydraulic
			Jack screw manual override MSD	Gearbox manual override MGD			Jack screw manual override MS	Gearbox manual override MG		
UGS1	F14	2000	√ ^c	—	√	—	√ ^c	—	√	—
UGS2	F16	4000	√ ^c	—	√	—	√ ^c	—	√	—
UGS3	F25	8000	√ ^c	—	√	√	√ ^c	√ ^c	—	√
UGS4	F30	16000	—	√ ^c	—	√	—	√ ^c	—	√
UGS5	F35	32000	—	√	—	√ ^c	—	√	—	√ ^c
UGS6	F40	63000	—	—	—	√ ^c	—	—	—	√ ^c
UGS7	F48	125000	—	—	—	√ ^c	—	—	—	√ ^c

Note: √^c Recommended configuration .

Double acting switch time requirements, try to avoid the selection of hydraulic.

Turbine worm clutch handwheel is optional when the actuator has space requirement in the length direction.

Actuator in the adjustment occasions, there are precision requirements, avoid choosing turbine worm clutch handwheel.

UGS3-SR recommends MS for SR3 and MG for SR2 and above.

Model Designation

Pneumatic Yoke Type Actuator	UGS	X	-	XXX	-	XX	X	XX	-	XX	-	X
Drive Housing	Connection flange F14	1										
	Connection flange F16	2										
	Connection flange F25	3										
	Connection flange F30	4										
	Connection flange F35	5										
	Connection flange F40	6										
	Connection flange F48	7										
Cylinder Size	Select the cylinder according to the torque sheet		200	1000								
Actuator Type	Spring return type					SR						
	Double acting type					/						
Spring No.	Select the spring according to the torque sheet						1~4					
	Double acting type						/					
Fail Position	Fail to close							FC				
	Fail to open							F0				
	Double acting							/				
Manual actuator	Spring Return Acting									See the configuration table		
	Double Acting											
Temperature Range	Standard temperature											/
	High temperature											H
	Low temperature type											L

▲ Notice.

Pressure-temperature ratings and other performance data published in this catalog have been developed from our design calculation, in-house testing, field reports provided by our customers and/or published official standards or specifications. They are good only to cover typical applications as a general guideline to users of UG products introduced in this catalog.

For any specific application, users are kindly requested to contact UG Corporation for technical advice, or to carry out their own study and evaluation for proving suitability of these products to such an application. Failure to follow this request could result in property damage and/or personal injury, for which we shall not be liable.

While this catalog has been compiled with the utmost care, we assume no responsibility for errors, impropriety or inadequacy. Any information provided in this catalog is subject to from-time-to-time change without notice for error rectification, product discontinuation, design modification, new product introduction or any other cause that UG Corporation considers necessary. This edition cancels all previous issues.

The final interpretation right of this sample belongs to UG-controls(Wuxi) CO., LTD.