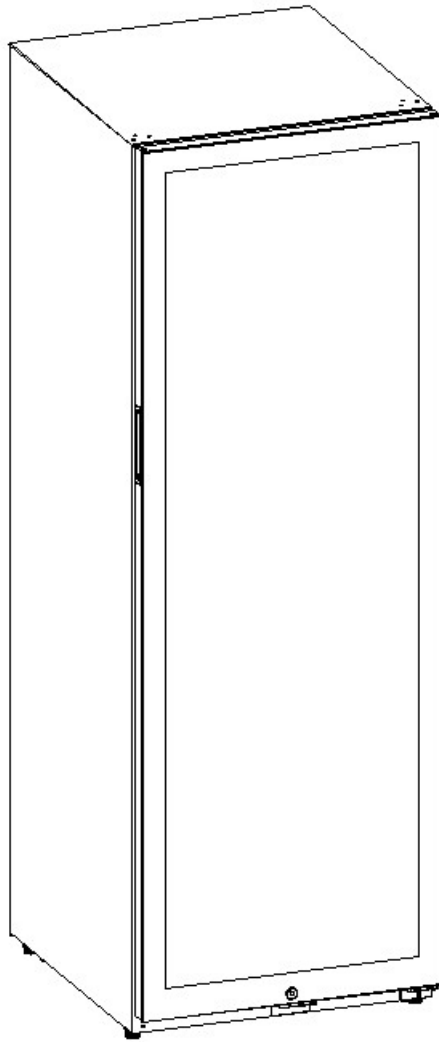




Zhongshan Josoo Electric Appliance Co.,Ltd.
Website:www.josoo cooler.com Email: Leah@josoo.com.cn

Free standing wine cooler

Model: ZS-B459



Safety warnings

<p>This appliance is not intended for use by persons (including children) with reduced physical, sensory or mental capabilities, or lack of experience and knowledge, unless they have been given supervision or instruction concerning use of the appliance by a person responsible for their safety.</p>	
<p>Children should be supervised to ensure that they do not play with the appliance.</p>	
<p>If the supply cord is damaged, it must be replaced by the manufacturer, its service agent or similarly qualified persons in order to avoid a hazard.</p>	
<p>Do not store explosive substances such as aerosol cans with a flammable propellant in this appliance.</p>	
<p>– WARNING: Keep ventilation openings, in the appliance enclosure or in the built-in structure, clear of obstruction.</p>	
<p>– WARNING: Do not use mechanical devices or other means to accelerate the defrosting process, other than those recommended by the manufacturer.</p>	
<p>– WARNING: Do not damage the refrigerant circuit.</p>	
<p>– WARNING: Do not use electrical appliances inside the food storage compartments of the appliance, unless they are of the type recommended by the manufacturer.</p>	
<p>Do not store explosive substances such as aerosol cans with a flammable propellant in this appliance.</p>	
<p>This appliance is intended to be used in household and similar applications such as</p> <ul style="list-style-type: none"> – staff kitchen areas in shops, offices and other working environments; – farm houses and by clients in hotels, motels and other residential type environments; – bed and breakfast type environments; – catering and similar non-retail applications. 	
<p>WARNING: When positioning the appliance, ensure the supply cord is not trapped or damaged.</p>	
<p>WARNING: Do not locate multiple portable socket-outlets or portable power supplies at the rear of the appliance.</p>	
<p>WARNING: To avoid a hazard due to instability of the appliance, it must be fixed in accordance with the instructions.</p>	
<p>Necessity to allow disconnection of the appliance from the supply after installation</p>	
<p>Any electrical work required to do the servicing of the appliance should be carried out by qualified electrician or competent person.</p>	
	<p>Correct Disposal of this product</p> <p>This symbol on the product or in its packing indicates that this product may not be treated as household waste. Instead, it should be taken to the appropriate waste collection point for the recycling of electrical and electronic equipment. By ensuring this product is disposed of correctly, you will help prevent potential negative consequences for the environment and human health, which could otherwise be caused by the inappropriate waste handling of this product. For more detailed information about the recycling of this product, please contact your local council your household waste disposal service, or the shop where you purchased the product.</p>
	<p>Warning: Risk of fire/ flammable materials</p>

● Wine Cooler Package Contents

- 1pc Instruction Manual
- 14pcs Standard Shelves

● Before Using Your Wine Cooler

1. Remove the exterior and interior packaging.
2. Before connecting the wine cooler to power source, let it stand upright for approximately 2 hours. This will reduce the possibility of a malfunction in the cooling system from handling during transportation.
3. Clean the interior surface with lukewarm water using a soft cloth.
4. When placing non-embedded wine cabinets, ensure that there is at least 50mm gap on each side and 100mm gap on the back, because this is the main outlet of heat air and has sufficient ventilation system, as shown in Figure 1

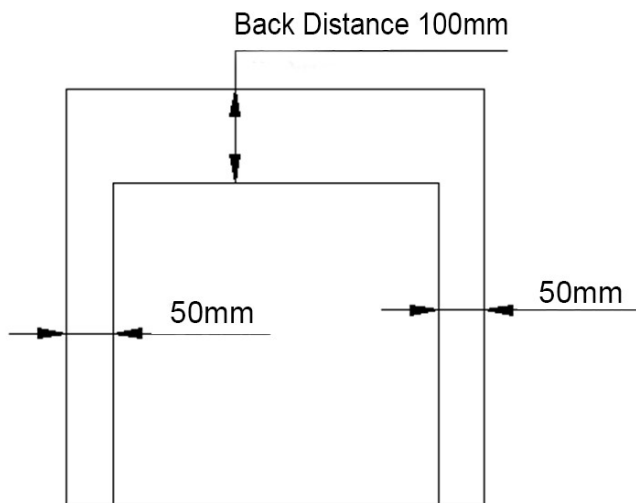


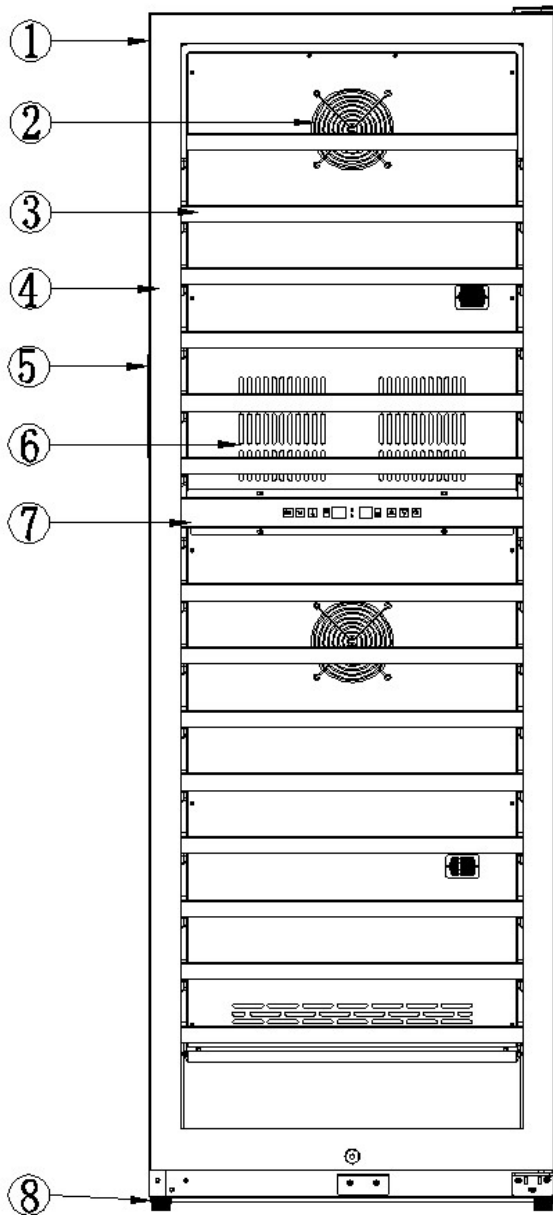
Figure 1

● Operation For Temperature

Temperature Range: 5-12°C, 12-20°C

41-54°F, 54-68°F

● **Product structure**



- ① Cabinet
- ② Box refrigeration position
- ③ Shelf
- ④ Glass door
- ⑤ Handle
- ⑥ Cold air circulation position
- ⑦ Control panel
- ⑧ Adjustable leg

● **Reversible door (If have it)**

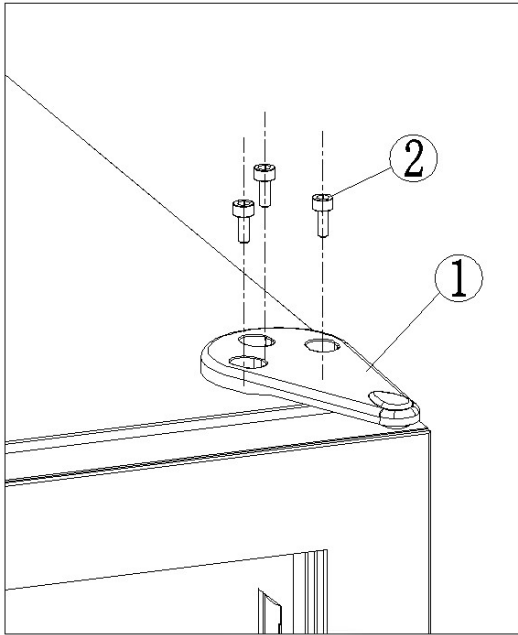


Figure 1

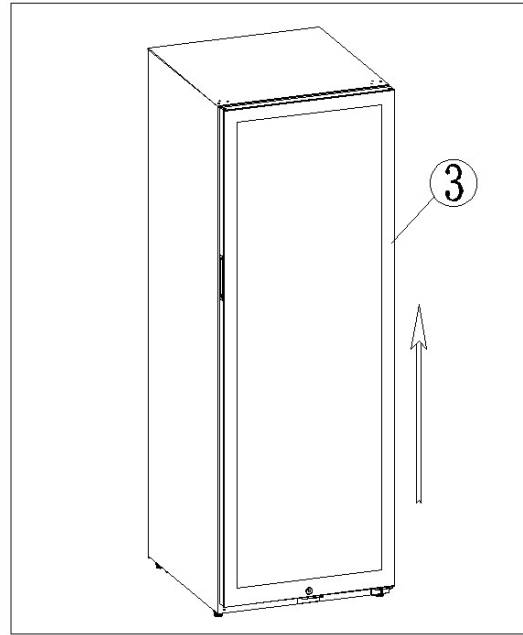


Figure 2

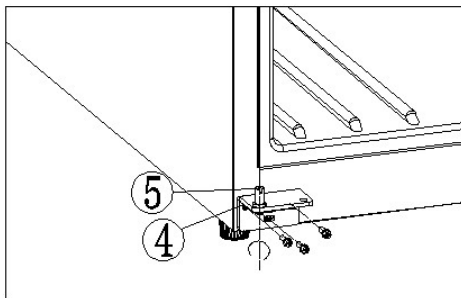
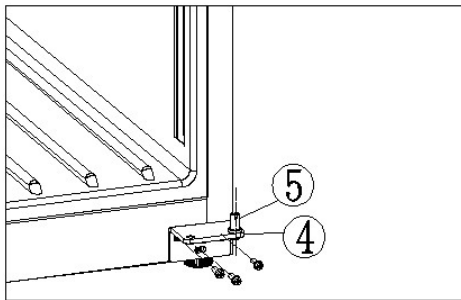


Figure 3

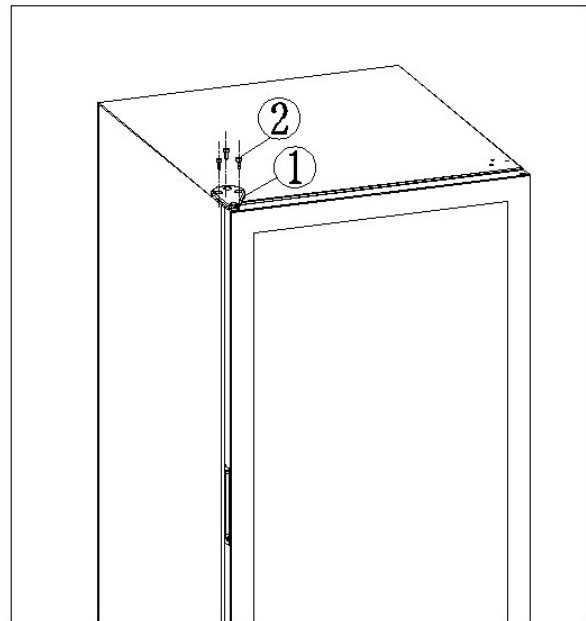


Figure 4

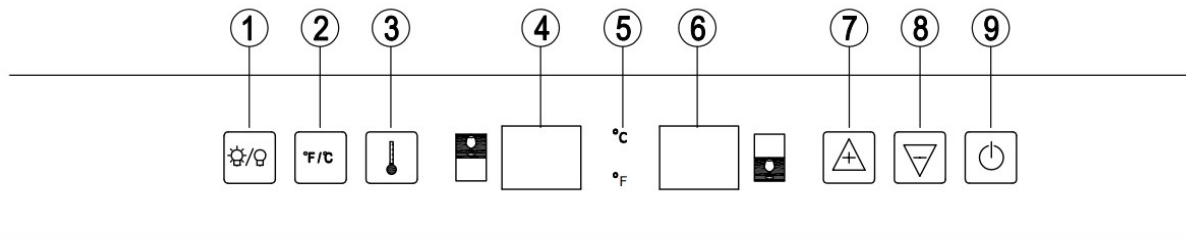
This product can change the door opening direction according to the actual installation needs. The door hinge of the product is on the right side. If you need to change the door direction, please follow the steps below.

- 1) Remove the 3 screws ② securing the upper door hinge ① with an external hexagon wrench. see Figure 1
- 2) Then hold the door body ③ with both hands, slowly and vertically upward, and remove the door body. Carefully place on a protective cushion. see Figure 2.

3)Use a Phillips screwdriver to remove the screws ④ on the lower door hinge. Use a flat-blade screwdriver to remove the lower door hinge core ⑤ from the lower door hinge, and install it into another screw hole on the lower door hinge. Then install it in the corresponding position on the other side of the box. See Figure 3

4) Install the door body in the reverse order of dismantling the door, install the upper door hinge in the screw hole on the other side of the top of the box, adjust the level of the door body, lock the screws, and complete the replacement of the door opening direction。 See Figure 4.


● Operation Panel



The setting should be operate in the control panel.

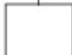
1. Functions of each key in the operation panel.

① light switch key  :Touch this button to control the LED light switch ON/ OFF.


②°C/°F Switch key  :Touch this button to control switch °C/°F


③ Temperature setting key 

The temperature setting must be pressed first to set. Press the temperature setting button once, the upper room temperature display digital tube flashes, indicating that the upper room temperature can be changed by pressing the temperature setting up or down button to change the upper room temperature setting; press it again, the lower room temperature display digital tube Flashing (the upper room temperature display digital tube stops flashing), indicating that the lower room temperature can be changed by pressing the temperature setting up or down button to change the lower room temperature setting; pressing this button again, the upper room and lower room temperature display The nixie tube stops flashing and resumes to display the temperature in the upper and lower chambers respectively. When the upper room or lower room temperature is set, and no button is pressed, it will automatically return to the status of displaying the temperature in the upper room and the lower room respectively after 5 seconds.


④ Upper zone temperature setting / temperature display 

The LED display will show the upper zone setting temperature when “flash”; Display will show the temperature for the actual temperature of the cabinet when normal.


⑤  Temperature measurement unit display

⑥ Lower zone temperature setting / temperature display 

The LED display will show the lower zone setting temperature when “flash”; Display will show the temperature for the actual temperature of the cabinet when normal.



⑦ Set temperature up key. 

When the upper zone temperature setting / temperature display or the lower zone temperature setting / temperature display is flashing, press this key to change the set temperature of the upper or lower zone. Press it, the temperature will rise by 1°C or 1°F, until the highest temperature setting in the box;



⑧ Set temperature down key. 

When the upper zone temperature setting / temperature display or the lower zone temperature setting / temperature display is flashing, press this key to change the set temperature of the upper or lower zone. Press it, the temperature will be down by 1°C or 1°F, until the lowest temperature setting in the box

⑨ Power 

To control the appliance turn on/off. To turn off the appliance, touch  and hold for at least 5 seconds. Press  again, turn on the appliance. The LED readout will show the original temperature set previously when restart the appliance or reconnect after power cuts .

⑩ Child lock

Press  and  for 3 seconds, all buttons will be locked. Unlocked if press the two buttons for 3 seconds again.

2. There is automatic storage memory when power off in this wine cooler, that means the setting temperature is memorized automatically even in power off, so the setting temperature is the same as last setting when the wine cooler is running again.

3. Automatic defrost :

Wine coolers have been designed with an automatic defrost function. The purpose of the defrosting function is to regularly remove the frost that remains on the surface of the evaporator of the refrigeration system (built-in, not visible when it is not disassembled), so as to ensure that the refrigeration system has been operating

efficiently and in a good cooling state. When the machine runs for a period of time, the machine will automatically enter the defrosting state. At this time, the compressor of the wine cooler will stop running, and the cooling fan in the wine cabinet will continue to run to defrost . When defrosting, the temperature in the box will rise, which is not a fault. After defrosting, the cooling will be automatically resumed, and the box temperature will gradually drop to the set temperature.

● Points Of Intentions

1. The vent grill outside the cabinet is the heat dissipation way of cooling system in wine cooler, please prevent anything from covering or blocking, or it will make the wine cooler overheating and cause damage to product.
2. Please prevent blocking cooling fan, or it will make the temperature too high or uneven in the cabinet.
3. Please close the door tightly, it will cause the refrigerating inefficiency, overflow in the cabinet, or unnormal temperature once the door is not closed tightly for a long time.
4. Please shut off the power, and open the door to let the cabinet dry enough if you don't use the wine cooler for a long time.
5. This product is not suitable for areas with an altitude of 2000 meters.

●Product Parameters

Model:	ZS-B459
Voltage:	220-240V~ / 50Hz
Rated power:	90W
Climate type:	ST/SN/N
Net capacity:	450L
Rated current:	1.2A
Foaming:	cyclopentane
Refrigerant:	R600a/50g
Product size:	W598 x D701x H1772mm

●Layout And Storage

Your cabinet was designed to store a maximum number of bottles securely. We recommend that you observe the below tips to optimize loading.

- Remove tape from shelves once unit is stable and ready for storage.
- Disperse the bottles evenly to avoid concentrating weight in one place. Bottles must not touch either the back of the cabinet.
- Make sure that the bottles are not all grouped together either at the top or bottom of the cabinet.
- Only pull out one shelf at a time. Never attempt to pull more than one.
- Maximum weight capacity per shelf is 55lbs
- You can crease your wine cooler storage capacity by removing shelves and stacking bottles on top of one another. Do not stack more than 3 rows of bottles per shelf.

●Care Maintenance

Cleaning your wine cooler

- Turn off the power, unplug the appliance, and remove all items including shelves and rack.
- Wash the inside surfaces with a warm water and baking soda solution. The solution should be about 2 tablespoons of baking soda to a pint of water.
- Wash the shelves with a mild detergent solution.
- Wring excess water out of the sponge or cloth when cleaning any area of the controls.
- Wash the outside cabinet with warm water and mild liquid detergent. Rinse well and wipe dry with a clean soft cloth.

Power Failure

- Most power failures are corrected within a few hours should not affect the temperature of your appliance if you minimize the number of times the door is opened. If the power is going to be off for a longer period of time, you need to take to take other measures to protect your contents.
- If the unit is unplugged, loses power, or is turned off you must wait 3 to 5 minutes before restarting. Attempting to restart the wine cooler before this time has elapsed may prevent the wine cooler from starting.

Vacation Time

- Short holidays: You may leave the Wine Cooler powered on and unattended for absences of less than three weeks.
- Long absences: If the appliance will not be used for several months, remove all items, turn off the appliance and unplug. Clean and dry the interior thoroughly. To prevent odour and mold growth, leave the door open slightly : blocking it open if necessary.

Moving Your Wine Cooler

- Remove all items.
- Securely tape down all loose items (shelves) inside your appliance.
- Turn the adjustable leg up to the base to avoid damage.
- Tape the door shut.
- Be sure the appliance stays secure in the upright position during transportation. Also protect outside of appliance with a blanket, or similar item.

Energy Saving Tips

- The Wine Cooler should be located in the coolest area of the room, away from heat producing appliances, and out of the direct sunlight.
- Ensure that the unit is adequately ventilated. Never cover air vents.

- Only open the door for as long as necessary.

● Troubleshooting Guide

Problems with Your Wine Cooler

Many common issues with your wine cooler can be solved very easily. Try the troubleshooting tips below should you experience any problems.

PROBLEM	POSSIBLE CAUSE
Wine Cooler does not operate.	Not plugged in. The appliance is turned off. The circuit breaker tripped or a blown fuse.
Wine Cooler is not cold enough.	Check the temperature control setting. External environment may require a higher setting. The door is opened too often. The door is not closed completely. The door gasket does not seal properly
Turns on and off frequently	The room temperature is hotter than normal. A large amount of contents has been added to the Wine Cooler. The door is open too often The door is not closed completely. The temperature control is not set correctly. The door gasket does not seal properly.
The light does not work.	Not plugged in. The circuit breaker tripped or a blown fuse. The light switch is "OFF".
Vibrations	Check to assure that the Wine Cooler is level.
The door will not close properly.	The Wine Cooler is not level. The door was reversed and not properly installed. The gasket is dirty. The shelves are out of position.
The Wine Cooler seems to make too much noise	The rattling noise may come from the flow of the refrigerant, which is normal. As each cycle ends, you may hear gurgling sounds caused by the flow of refrigerant in your Wine Cooler. Contraction and expansion of the inside walls may cause popping and crackling noises. The Wine Cooler is not level.

Sensor Trouble shooting

Fault Code	Reason	Solution
E0	Temperature sensing head open circuit display	Check whether every cable terminal connected to the temperature sensor is properly connected or the lines are broken ,if both are good, please change temperature sensor
E1	Temperature sensing head short circuit display	Check whether every cable terminal connected to the temperature sensor is properly connected or the lines are broken ,if both are good, please change temperature sensor
E5	Communication failure display	Check whether the cable terminal connected to the display board is properly connected or the lines are broken,if both are good, change display board or power board

Wine Cooler surface condensation

Condensation is a natural phenomenon, wine cooler in the summer high temperature and high humidity environment work, box shell and glass door body surface because of the low temperature, the moisture in the air will condense in the box shell and glass door surface, touch a wet feeling. Condensation phenomenon mainly occurs in the door seal, door body surface and other parts. When the relative temperature of the air exceeds 80%, the glass door surface of the wine cooler will appear bead condensation, which is a normal phenomenon, you can use a soft cloth to wipe off the condensation, when the relative reduction in ambient temperature condensation phenomenon will disappear naturally, will not affect the performance of the wine cooler, in addition to reduce the phenomenon of condensation, please pay attention to the following points when you use:

1. wine cooler in the summer rainy season, often use soft cloth to wipe the glass door surface and other condensation department, can reduce the condensation phenomenon.
2. the wine cooler will be placed to the location of better ventilation, which can also reduce the phenomenon of condensation.

●Warranty

This product has been manufactured by Zhongshan Josoo Electric Appliance Co.,Ltd.

The warranty does not apply to damage resulting from abuse, accident, natural disaster, loss of electrical power to the product for any reason, alteration, outdoor use, improper installation, and improper operation, repair or service of the product by anyone other than an authorized by us, service agency or representative.