

JOSOO

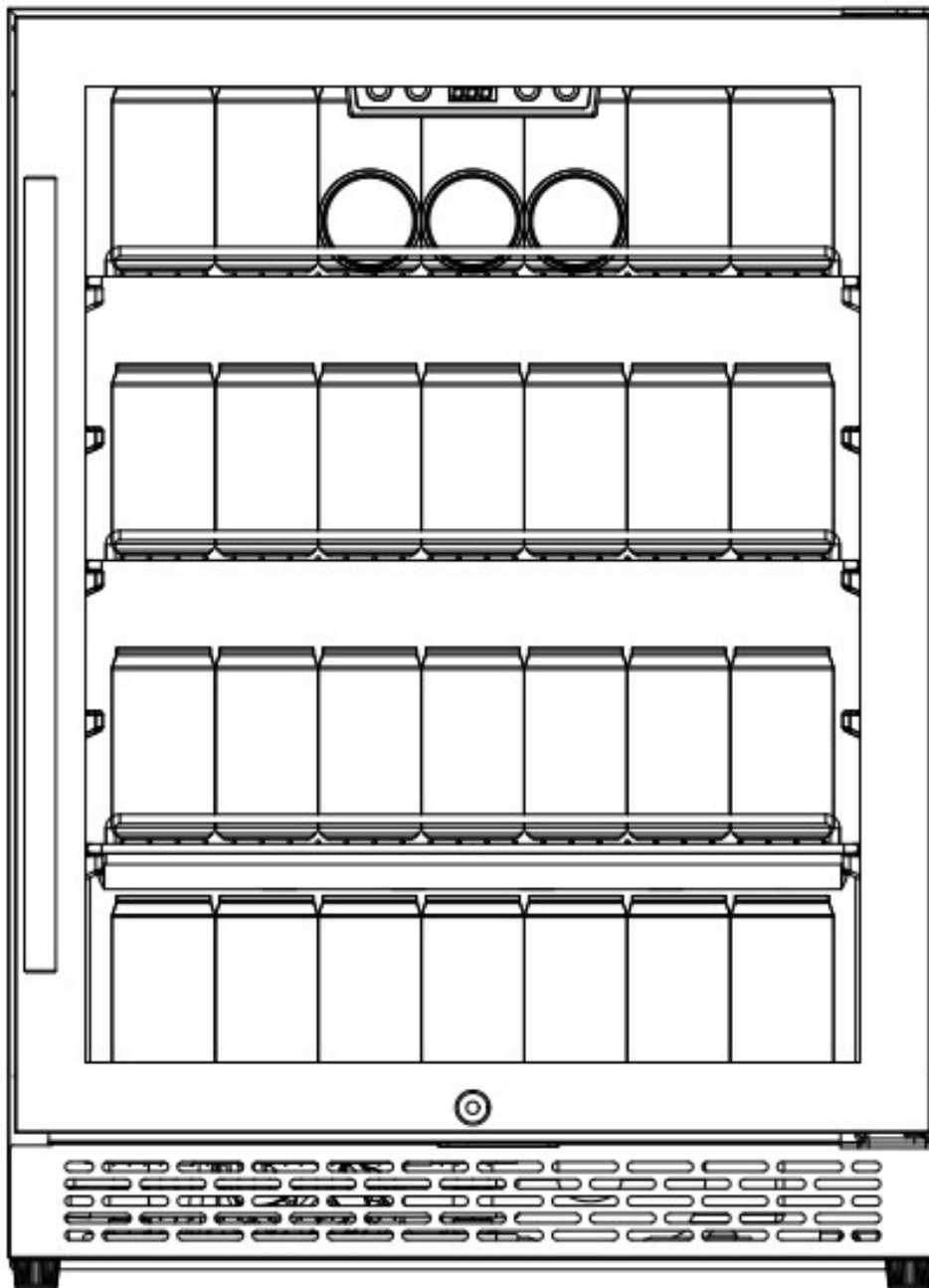
Zhongshan Josoo Electric Appliance Co.,Ltd.

Add: No.9, Qiye North Road, Maxin Industrial Zone, Huangpu Town 528429, Zhongshan City, Guangdong, China

Website:www.josoo cooler.com Email: leah@josoo.com.cn

Built in & Free standing Beer cooler

Model: ZS-A145P



● Beer Cooler Package Contents

- 1pc Instruction Manual
- 3pcs Standard Shelves
- 2pcs Keys

● Important Safety Instructions

WARNING: To reduce the risk of fire, electric shock or personal injury, unplug or disconnect the appliance from the power supply before servicing.

- Read all instructions before using the wine cooler.
- DANGER: Risk of child becoming trapped in new wine cooler, old wine cooler/refrigeration unit, or large boxes. Junked or abandoned appliances, boxes and other containers are still dangerous, even if they will just in the garage for a few days.
- Never allow children to operate, play with, crawl inside the appliance.
- Never clean appliance parts with flammable fluids. The fumes can create a fire hazard or explosion.
- Do not store in the vicinity of any other appliance. Do not store near gasoline or any other flammable vapors. The fumes can create a fire hazard or explosion.

● Proper Disposal

An empty cooler is an extremely dangerous attraction to children. If you are getting rid of your old cooler, pls follow the instructions in the Child Entrapment Warning.

● Child Entrapment Warning

Risk of child entrapment. Before you throw away your old cooler or freezer:

1. Take of the doors.
2. Leave the shelves in place so that children may not easily climb inside.

● Before Using Your Beer Cooler

- Remove the exterior and interior packaging.
- Before connecting the wine cooler to power source, let it stand upright for approximately 2 hours. This will reduce the possibility of a malfunction in the cooling system from handling during transportation.
- Clean the interior surface with lukewarm water using a soft cloth.
- When placing non-embedded wine cabinets, ensure that there is at least 50mm gap on each side and 100mm gap on the back, because this is the main outlet of heat air and has sufficient ventilation system, as shown in Figure 1

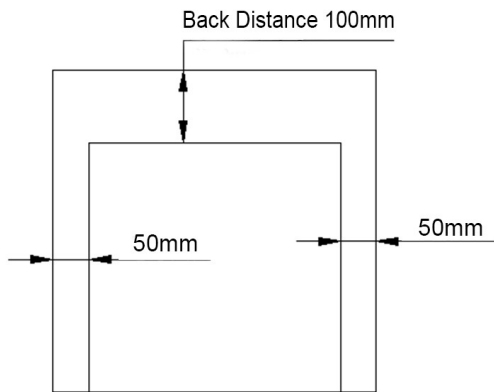
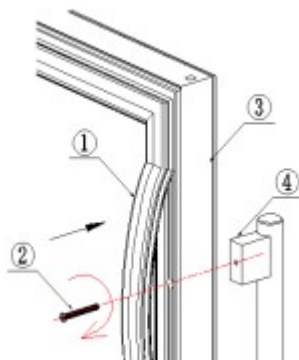


Figure 1

INSTALLATION THE HANDLE



① First remove the gasket from the groove of the door ② Insert the screws into the hole on the door align the screw hole on the handle tighten the handle screws in the direction shown as the arrow

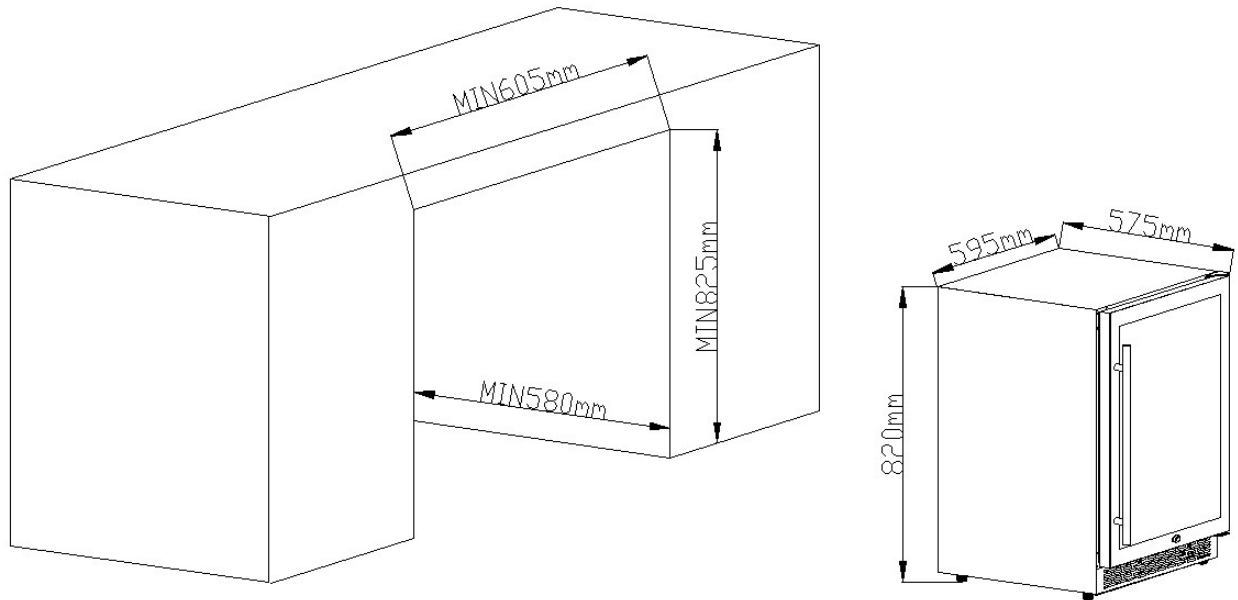
③ Install the gasket into the door groove of the body profile.

④ Double checking the interval between the gasket & cabinet fixed properly.

(CHECK EASIER WITH INTERIOR LIGHT ON)

CAUTION: LEAKING AIR WILL CAUSE DAMAGE THE COMPRESSOR

● HOW TO BUILT IN

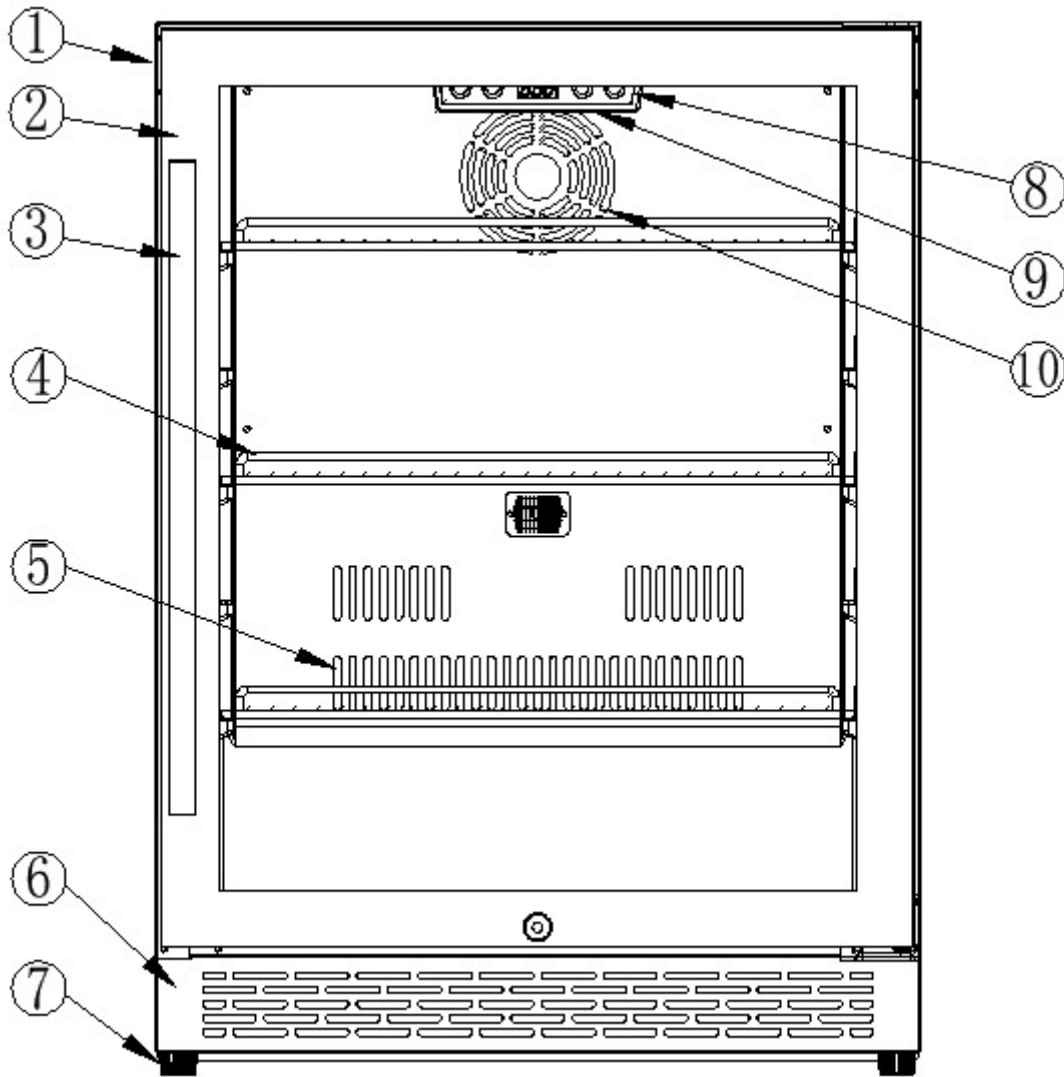


● Operation For Temperature

Temperature Range: -6-10°C

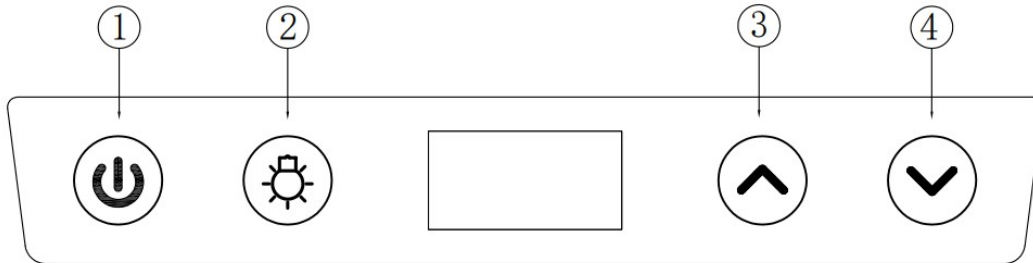
21-50°F

● Product structure




- ① Cabinet body
- ② Glass door
- ③ Handle
- ④ Shelf
- ⑤ Cold air circulation position
- ⑥ Vent grill
- ⑦ Adjustable leg
- ⑧ Control panel
- ⑨ LED light
- ⑩ Refrigeration position


● Operation Panel




The setting should be operate in the control panel.

1. Functions of each key in the operation panel.

① Power on / off  : Once the product turns the power on, it automatically enters the startup state and the display screen is lit. Press the button for 3 seconds before cutting off the power and enter the standby state, the display is off. In the standby state, press the button for 3 seconds to start the power, and the display is on again.

② LED light on / off  : touch this key to control the LED light on / off;

③ Temperature increase setting key  touch this key to increase the temperature setting;

④ temperature drop setting key  touch this key to set the temperature drop;
 °C / °F switch function: press the ③ and ④ at the same time to switch between °C and °F temperature displays for about 3 seconds;

Child lock function: press ① and ② for 3 seconds, all buttons are locked. Press ① and ② for 3 seconds again to unlock.

2. There is automatic storage memory when power off in this wine cooler, that means the setting temperature is memorized automatically even in power off, so the setting temperature is the same as last setting when the wine cooler is running again.

3. Defrosting

Automatic defrost function: the beer cooler has been designed with an automatic defrost function. The purpose of the defrosting function is to remove the frost remaining on the evaporator surface of the refrigeration system (built-in, invisible when not disassembled) on a regular basis, so as to ensure that the refrigeration system has been operating efficiently and thus obtaining a good refrigeration state.

When the machine runs for a period of time, the machine automatically enters the defrost state, at this time the beer cabinet compressor stops running, and the refrigeration fan inside the box is running continuously. Defrost, the temperature inside the box will rise, this is not a fault.

● Points Of Intentions

1. The vent grill outside the cabinet is the heat dissipation way of cooling system in wine cooler, please prevent anything from covering or blocking, or it will make the wine cooler overheating and cause damage to product.
2. Please prevent blocking cooling fan, or it will make the temperature too high or uneven in the cabinet.
3. Please close the door tightly, it will cause the refrigerating inefficiency, overflow in the cabinet, or unnormal temperature once the door is not closed tightly for a long time.
4. Please shut off the power, and open the door to let the cabinet dry enough if you don't use the wine cooler for a long time.
5. This product is not suitable for areas with an altitude of 2000 meters.

●Product Parameters

Net volume	135L
Bottle Capacity	151 cans (330ml)
Voltage	220V~/60 Hz
Rated current	1.0A
Foaming	cyclopentane
Refrigerant	R600a/30g
Product size	W595 x D575 x H820 mm

●Layout And Storage

Your cabinet was designed to store a maximum number of bottles securely. We recommend that you observe the below tips to optimize loading.

- Remove tape from shelves once unit is stable and ready for storage.
- Disperse the bottles evenly to avoid concentrating weight in one place. Bottles must not touch either the back of the cabinet.

- Make sure that the bottles are not all grouped together either at the top or bottom of the cabinet.
- Only pull out one shelf at a time. Never attempt to pull more than one.
- Maximum weight capacity per shelf is 55lbs
- You can crease your wine cooler storage capacity by removing shelves and stacking bottles on top of one another. Do not stack more than 3 rows of bottles per shelf.

●Care Maintenance

Cleaning your wine cooler

- Turn off the power, unplug the appliance, and remove all items including shelves and rack.
- Wash the inside surfaces with a warm water and baking soda solution. The solution should be about 2 tablespoons of baking soda to a pint of water.
- Wash the shelves with a mild detergent solution.
- Wring excess water out of the sponge or cloth when cleaning any area of the controls.
- Wash the outside cabinet with warm water and mild liquid detergent. Rinse well and wipe dry with a clean soft cloth.

Power Failure

- Most power failures are corrected within a few hours should not affect the temperature of your appliance if you minimize the number of times the door is opened. If the power is going to be off for a longer period of time, you need to take to take other measures to protect your contents.
- If the unit is unplugged, loses power, or is turned off you must wait 3 to 5 minutes before restarting. Attempting to restart the wine cooler before this time has elapsed may prevent the wine cooler from starting..

Vacation Time

- Short holidays: You may leave the Wine Cooler powered on and unattended for absences of less than three weeks.
- Long absences: If the appliance will not be used for several months, remove all items, turn off the appliance and unplug. Clean and dry the interior thoroughly. To prevent odour and mold growth, leave the door open slightly : blocking it open if necessary.

Moving Your Wine Cooler

- Remove all items.

- Securely tape down all loose items (shelves) inside your appliance.
- Turn the adjustable leg up to the base to avoid damage.
- Tape the door shut.
- Be sure the appliance stays secure in the upright position during transportation. Also protect outside of appliance with a blanket, or similar item.

Energy Saving Tips

- The Wine Cooler should be located in the coolest area of the room, away from heat producing appliances, and out of the direct sunlight.
- Ensure that the unit is adequately ventilated. Never cover air vents.
- Only open the door for as long as necessary.

● Troubleshooting Guide

Problems with Your Wine Cooler

Many common issues with your wine cooler can be solved very easily. Try the troubleshooting tips below should you experience any problems.

PROBLEM	POSSIBLE CAUSE
Wine Cooler does not operate.	Not plugged in. The appliance is turned off. The circuit breaker tripped or a blown fuse.
Wine Cooler is not cold enough.	Check the temperature control setting. External environment may require a higher setting. The door is opened too often. The door is not closed completely. The door gasket does not seal properly
Turns on and off frequently	The room temperature is hotter than normal. A large amount of contents has been added to the Wine Cooler. The door is open too often The door is not closed completely. The temperature control is not set correctly. The door gasket does not seal properly.
The light does not work.	Not plugged in. The circuit breaker tripped or a blown fuse. The light switch is "OFF".
Vibrations	Check to assure that the Wine Cooler is level.
The door will not close properly.	The Wine Cooler is not level. The door was reversed and not properly installed. The gasket is dirty. The shelves are out of position.

<p>The Wine Cooler seems to make too much noise</p>	<p>The rattling noise may come from the flow of the refrigerant, which is normal. As each cycle ends, you may hear gurgling sounds caused by the flow of refrigerant in your Wine Cooler. Contraction and expansion of the inside walls may cause popping and crackling noises. The Wine Cooler is not level.</p>
---	---

Sensor Trouble shooting

Fault Code	Reason	Solution
E0	Sensor Open circuit	Change Sensor
E1	Sensor short circuit	Change Sensor
E5	Communication failure	Please contact customer service before returning to our service center for inspection/repair
L	≤ -9℃, low temperature warning	Please contact customer service before returning to our service center for inspection/repair
H	≥44℃,high temperature warning	Please contact customer service before returning to our service center for inspection/repair

Wine Cooler surface condensation

Condensation is a natural phenomenon, wine cooler in the summer high temperature and high humidity environment work, box shell and glass door body surface because of the low temperature, the moisture in the air will condense in the box shell and glass door surface, touch a wet feeling. Condensation phenomenon mainly occurs in the door seal, door body surface and other parts. When the relative temperature of the air exceeds 80%, the glass door surface of the wine cooler will appear bead condensation, which is a normal phenomenon, you can use a soft cloth to wipe off the condensation, when the relative reduction in ambient temperature condensation phenomenon will disappear naturally, will not affect the performance of the wine cooler, in addition to reduce the phenomenon of condensation, please pay attention to the following points when you use:

1. wine cooler in the summer rainy season, often use soft cloth to wipe the glass door surface and other condensation department, can reduce the condensation



Zhongshan Josoo Electric Appliance Co.,Ltd.

Add: No.9, Qiye North Road, Maxin Industrial Zone, Huangpu Town 528429, Zhongshan City, Guangdong, China
Website:www.josoo cooler.com Email: leah@josoo.com.cn

phenomenon.

2. the wine cooler will be placed to the location of better ventilation, which can also reduce the phenomenon of condensation.

●Warranty

This product has been manufactured by Zhongshan Josoo Electric Appliance Co.,Ltd.

The warranty does not apply to damage resulting from abuse, accident, natural disaster, loss of electrical power to the product for any reason, alteration, outdoor use, improper installation, and improper operation, repair or service of the product by anyone other than an authorized by us, service agency or representative.