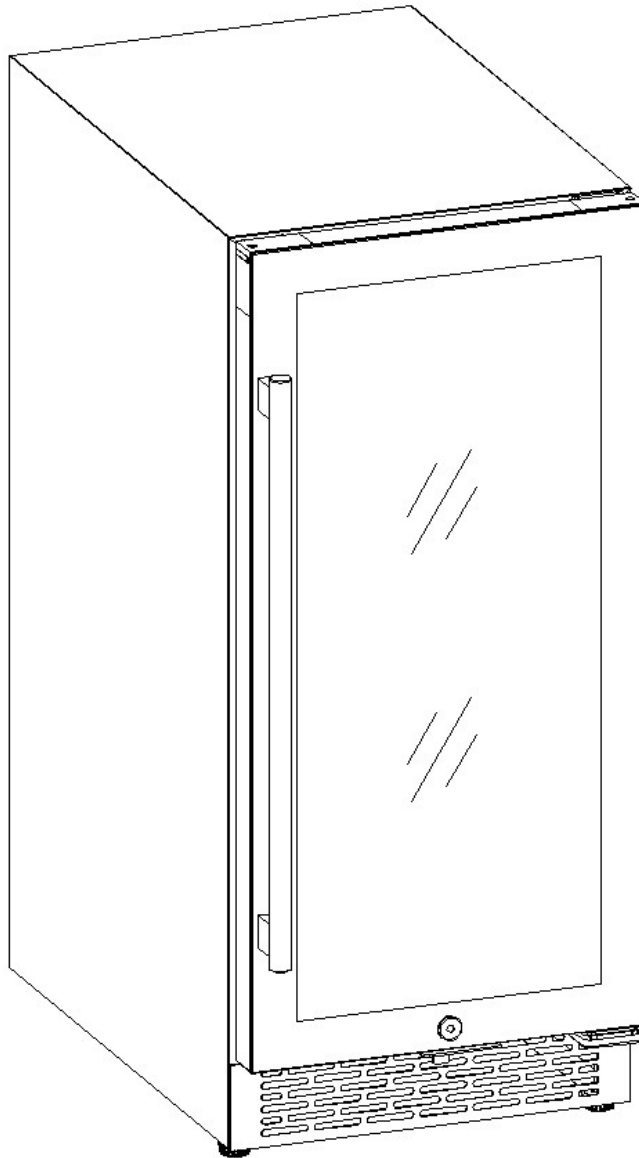


INSTRUCTION MANUAL

ZS-A88P



● Wine Cooler Package Contents

Instruction Manual
6 Standard Racks

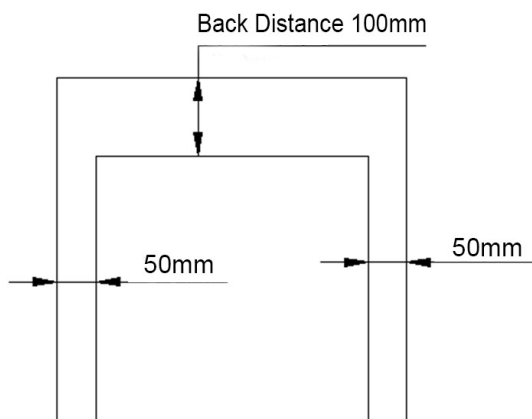
● Important Safety Instructions

WARNING: To reduce the risk of fire, electric shock or personal injury, unplug or disconnect the appliance from the power supply before servicing.

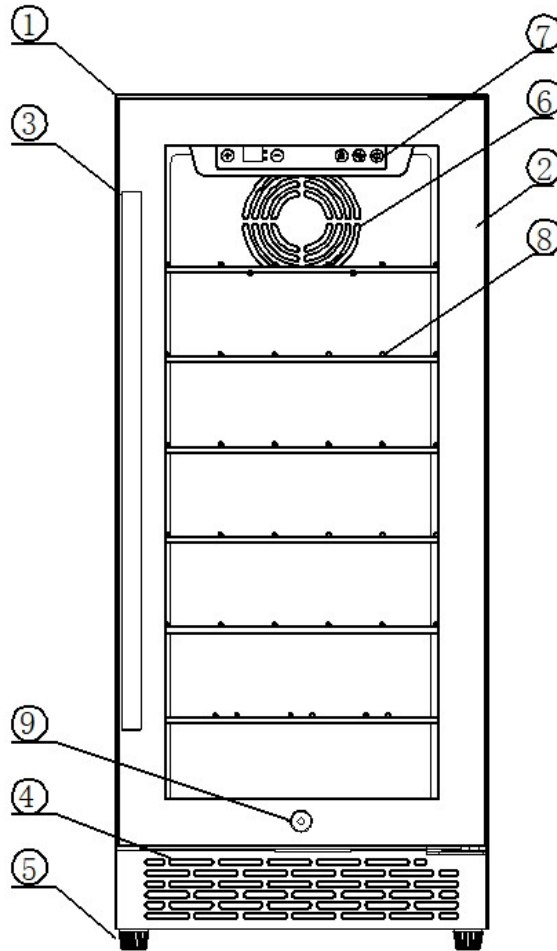
- Read all instructions before using the wine cooler.
- DANGER: Risk of child becoming trapped in new wine cooler, old wine cooler/refrigeration unit, or large boxes. Junked or abandoned appliances, boxes and other containers are still dangerous, even if they will just in the garage for a few days.
- Before you throw away your old wine cooler: 1. take off the door. 2. Leave the shelves in place so that children cannot climb inside.
- Never allow children to operate, play with, crawl inside the appliance.
- Never clean appliance parts with flammable fluids. The fumes can create a fire hazard or explosion.
- Do not store in the vicinity of any other appliance. Do not store near gasoline or any other flammable vapors. The fumes can create a fire hazard or explosion.

Before Using Your Wine Cooler

- Remove the exterior and interior packaging.
- Before connecting the wine cooler to power source, let it stand upright for approximately 2 hours. This will reduce the possibility of a malfunction in the cooling system from handling during transportation.
- Clean the interior surface with lukewarm water using a soft cloth.
- Installation the free standing wine cooler, make sure that there is at least 50 mm clearance on each side and at least 100 mm clearance on the back, because this is the main exit of hot air, to leave sufficient ventilation system



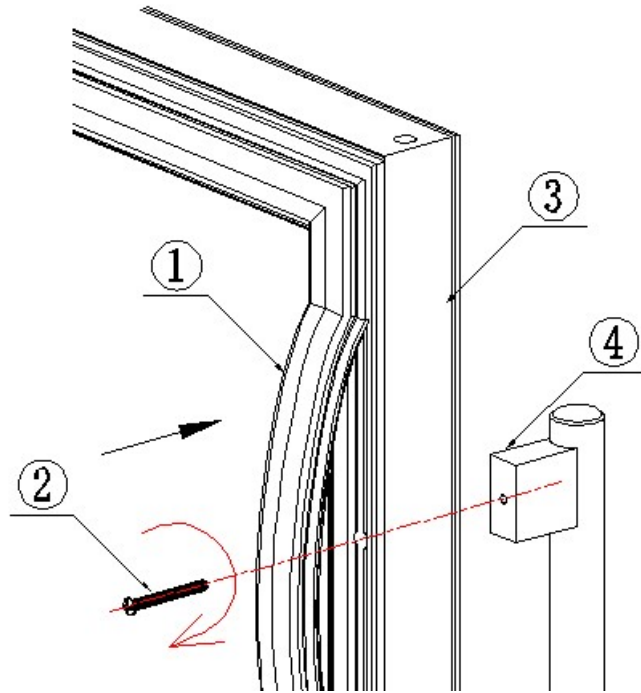
● Main Structure Of Product



- ① Cabinet
- ② Stainless steel glass door
- ③ Stainless steel handle
- ④ Exhaust grill
- ⑤ Leveling leg
- ⑥ Fan
- ⑦ Control panel
- ⑧ Shelves
- ⑨ Lock

● Installation

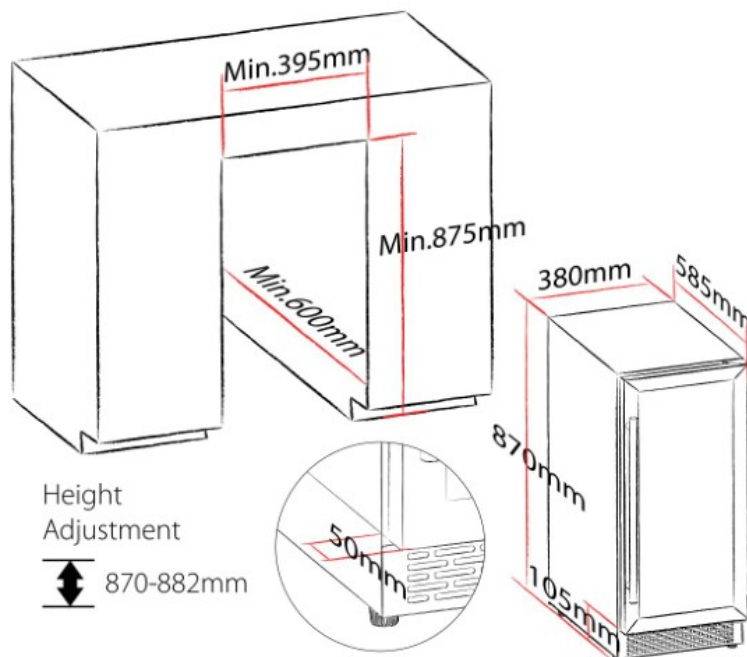
Install handle



1. Door seal
2. Screw
3. Door body
4. Handle

First remove the door seal from the groove of the door body profile, insert the screw into the hole on the door body, align the screw hole on the handle, tighten the handle screw in the direction shown by the arrow, and then reinstall the door seal into the door In the groove of the body profile.

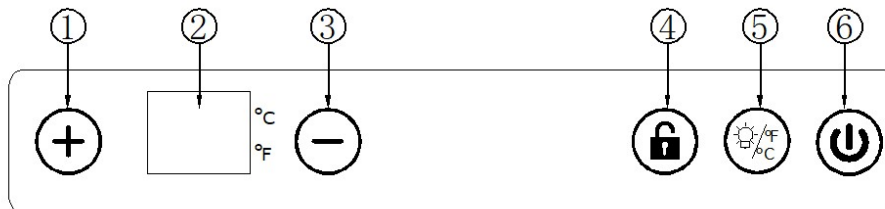
How to Built In



● **Temperature Setting**

The setting should be operate in the control panel.

(1) Functions of each keys in the control panel.

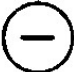


1.Up 


Used to raise (warm)the set temperature by 1°C or 1°F . When the screen is flashing, press it once, the temperature setting is up by 1°C or 1°F , the highest setting temperature is 20°C (68°F) . Stop to press any button for 5 seconds, then the number stop flashing to show the actual temperature of the cabinet.

2.Temperature Display 

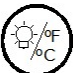
The LED display will show the setting temperature when “flash”; Display will show the temperature for the actual temperature of the cabinet when normal.

3.Down 

Used to lower (cool) the set temperature by 1°C or 1°F . When the screen is flashing, press it once, the temperature setting is down by 1°C or 1°F , the lowest setting temperature is 5°C (41°F) . Stop to press any button for 5 seconds, then the number stop flashing to show the actual temperature of the cabinet.



4. Temperature unlock key 

Tap this key to unlock the temperature. After unlocking, you can use the temperature up/down keys to adjust the temperature. After the temperature adjustment is completed, the temperature will be automatically locked after flashing.

5.°C/°F Switch key/light switch key 

Touch this button to control the LED light switch, press for 5 seconds to switch °C/°F .

6.Power 

To control the appliance turn on/off. To turn off the appliance, touch the  button and hold for at least 5 seconds. Press  again, turn on the appliance. The LED readout will show the original temperature set previously when restart the appliance or reconnect after power cuts .

(2)There is automatic storage memory when power off in this wine cooler, that means the setting

temperature is memorized automatically even in power off, so the setting temperature is the same as last setting when the wine cooler is running again.

(3)Defrosting

The unit defrosts automatically.

The evaporator behind the rear wall of the unit defrosts automatically. The condensate collects in the drainage channel behind the rear wall of the unit, and flows through the drainage hole into the drip tray by the compressor where it evaporates. When the wine cooler run for some time, the wine cooler will enter to defrosting, the compressor stop running and the fan will keep running. The temperature will up to about 5°C when defrosting, then keep on running normally; It takes more time for the temperature to come up to 5°C when the setting temperature is low(for example the setting temperature is -2°C), and there are full of wines in the cabinet, and this is not a breakdown.

The switch of interior light is under the control panel to control the light on or off.

● Points Of Intentions

- 1, The vent grill outside the cabinet is the heat dissipation way of cooling system in wine cooler, please prevent anything from covering or blocking, or it will make the wine cooler overheating and cause damage to product.
- 2, Please prevent blocking cooling fan, or it will make the temperature too high or uneven in the cabinet.
- 3, Please close the door tightly, it will cause the refrigerating inefficiency, overflow in the cabinet, or unnormal temperature once the door is not closed tightly for a long time.
- 4, Please shut off the power, and open the door to let the cabinet dry enough if you don't use the wine cooler for a long time.
5. This product is not suitable for areas with an altitude of 2000 meters.

●Product Parameters

Net volume	90L
Bottle Capacity	90 cans (330ml)
Voltage	115V~/60 Hz
Rated current	1.25A
Foaming	cyclopentane
Refrigerant	R600a/30g
Product size	W380 x D585 x H870 mm
Temperature Range	-5-10°C

●Layout And Storage

Your cabinet was designed to store a maximum number of bottles securely. We recommend that you observe the below tips to optimize loading.

- Remove tape from shelves once unit is stable and ready for storage.
- Disperse the bottles evenly to avoid concentrating weight in one place. Bottles must not touch either the back of the cabinet.
- Make sure that the bottles are not all grouped together either at the top or bottom of the cabinet.
- Only pull out one shelf at a time. Never attempt to pull more than one.
- Maximum weight capacity per shelf is 55lbs
- You can crease your wine cooler storage capacity by removing shelves and stacking bottles on top of one another. Do not stack more than 3 rows of bottles per shelf.

●Care Maintenance

Cleaning your wine cooler

- Turn off the power, unplug the appliance, and remove all items including shelves and rack.
- Wash the inside surfaces with a warm water and baking soda solution. The solution should be about 2 tablespoons of baking soda to a pint of water.
- Wash the shelves with a mild detergent solution.
- Wring excess water out of the sponge or cloth when cleaning any area of the controls.
- Wash the outside cabinet with warm water and mild liquid detergent. Rinse well and wipe dry with a clean soft cloth.

Power Failure

- Most power failures are corrected within a few hours should not affect the temperature of your appliance if you minimize the number of times the door is opened. If the power is going to be off for a longer period of time, you need to take to take other measures to protect your contents.
- If the unit is unplugged, loses power, or is turned off you must wait 3to 5 minutes before restarting. Attempting to restart the wine cooler before this time has elapsed may prevent the wine cooler from starting..

Vacation Time

- Short holidays: You may leave the Wine Cooler powered on and unattended for absences of less than three weeks.
- Long absences: If the appliance will not be used for several months, remove all items, turn off the appliance and unplug. Clean and dry the interior thoroughly. To prevent odour and mold growth, leave the door open slightly : blocking it open if necessary.

Moving Your Wine Cooler

- Remove all items.
- Securely tape down all loose items (shelves) inside your appliance.
- Turn the adjustable leg up to the base to avoid damage.
- Tape the door shut.
- Be sure the appliance stays secure in the upright position during transportation. Also protect outside of appliance with a blanket, or similar item.

Energy Saving Tips

- The Wine Cooler should be located in the coolest area of the room, away from heat producing appliances, and out of the direct sunlight.
- Ensure that the unit is adequately ventilated. Never cover air vents.
- Only open the door for as long as necessary.

● Troubleshooting Guide

Problems with Your Wine Cooler

Many common issues with your wine cooler can be solved very easily. Try the troubleshooting tips below should you experience any problems.

PROBLEM	POSSIBLE CAUSE
Wine Cooler does not operate.	Not plugged in. The appliance is turned off. The circuit breaker tripped or a blown fuse.
Wine Cooler is not cold enough.	Check the temperature control setting. External environment may require a higher setting. The door is opened too often. The door is not closed completely. The door gasket does not seal properly
Turns on and off frequently	The room temperature is hotter than normal. A large amount of contents has been added to the Wine Cooler. The door is open too often The door is not closed completely. The temperature control is not set correctly. The door gasket does not seal properly.
The light does not work.	Not plugged in. The circuit breaker tripped or a blown fuse. The light switch is "OFF".
Vibrations	Check to assure that the Wine Cooler is level.
The door will not close properly.	The Wine Cooler is not level. The door was reversed and not properly installed. The gasket is dirty. The shelves are out of position.

<p>The Wine Cooler seems to make too much noise</p>	<p>The rattling noise may come from the flow of the refrigerant, which is normal. As each cycle ends, you may hear gurgling sounds caused by the flow of refrigerant in your Wine Cooler. Contraction and expansion of the inside walls may cause popping and crackling noises. The Wine Cooler is not level.</p>
---	---

Sensor Trouble shooting

Fault Code	Reason	Solution
E0	Sensor Open circuit	Change Sensor
E1	Sensor short circuit	Change Sensor
E5	Communication failure	Please contact customer service before returning to our service center for inspection/repair

Wine Cooler surface condensation

Condensation is a natural phenomenon, wine cooler in the summer high temperature and high humidity environment work, box shell and glass door body surface because of the low temperature, the moisture in the air will condense in the box shell and glass door surface, touch a wet feeling. Condensation phenomenon mainly occurs in the door seal, door body surface and other parts. When the relative temperature of the air exceeds 80%, the glass door surface of the wine cooler will appear bead condensation, which is a normal phenomenon, you can use a soft cloth to wipe off the condensation, when the relative reduction in ambient temperature condensation phenomenon will disappear naturally, will not affect the performance of the wine cooler, in addition to reduce the phenomenon of condensation, please pay attention to the following points when you use:

1. wine cooler in the summer rainy season, often use soft cloth to wipe the glass door surface and other condensation department, can reduce the condensation phenomenon.
2. the wine cooler will be placed to the location of better ventilation, which can also reduce the phenomenon of condensation.

●Warranty

This product has been manufactured by Zhongshan Josoo Electric Appliance Co.,Ltd.

The warranty does not apply to damage resulting from abuse, accident, natural disaster, loss of electrical power to the product for any reason, alteration, outdoor use, improper installation, and improper operation, repair or service of the product by anyone other than an authorized by us, service agency or representative.