

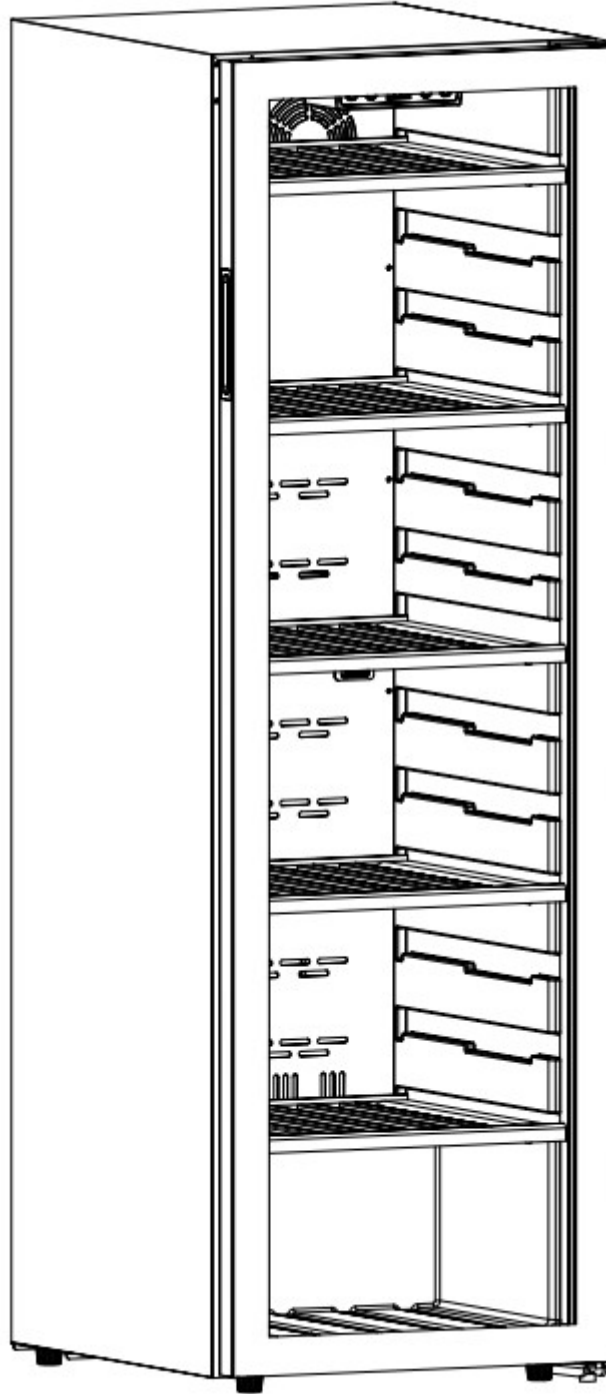
JOSOO

Zhongshan Josoo Electric Appliance Co.,Ltd.

Add: No.9, Qiye North Road, Maxin Industrial Zone, Huangpu Town 528429, Zhongshan City, Guangdong, China

Website:www.josoo cooler.com Email: leah@josoo.com.cn

Free standing wine cooler



● Wine Cooler Package Contents

- 1pc Instruction Manual
- 5pcs Standard Shelves
- 2pcs Keys

● Important Safety Instructions

WARNING: To reduce the risk of fire, electric shock or personal injury, unplug or disconnect the appliance from the power supply before servicing.

- Read all instructions before using the wine cooler.
- **DANGER:** Risk of child becoming trapped in new wine cooler, old wine cooler/refrigeration unit, or large boxes. Junked or abandoned appliances, boxes and other containers are still dangerous, even if they will just in the garage for a few days.
- Never allow children to operate, play with, crawl inside the appliance.
- Never clean appliance parts with flammable fluids. The fumes can create a fire hazard or explosion.
- Do not store in the vicinity of any other appliance. Do not store near gasoline or any other flammable vapors. The fumes can create a fire hazard or explosion.

● Proper Disposal

An empty cooler is an extremely dangerous attraction to children. If you are getting rid of your old cooler, pls follow the instructions in the Child Entrapment Warning.

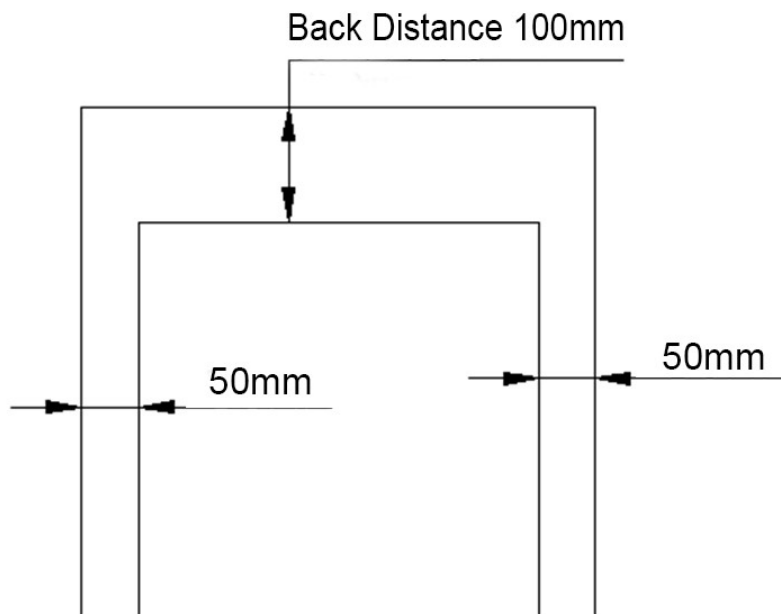
● Child Entrapment Warning

Risk of child entrapment. Before you throw away your old cooler or freezer:

1. Take of the doors.
2. Leave the shelves in place so that children may not easily climb inside.

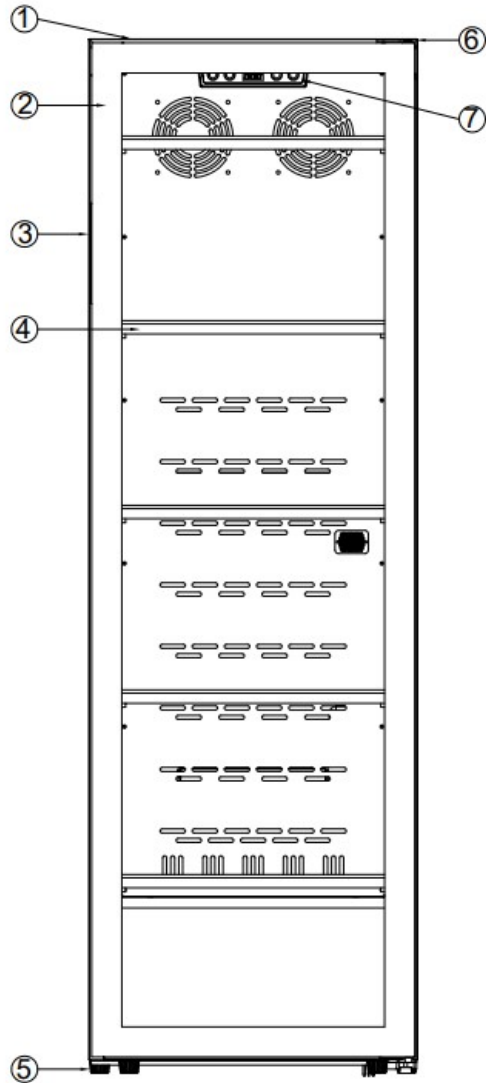
● Before Using Your Wine Cooler

- Remove the exterior and interior packaging.
- Before connecting the wine cooler to power source, let it stand upright for approximately 2 hours. This will reduce the possibility of a malfunction in the cooling system from handling during transportation.
- Clean the interior surface with lukewarm water using a soft cloth.
- Installation the free standing wine cooler, make sure that there is at least 50 mm clearance on each side and at least 100 mm clearance on the back, because this is the main exit of hot air, to leave sufficient ventilation system

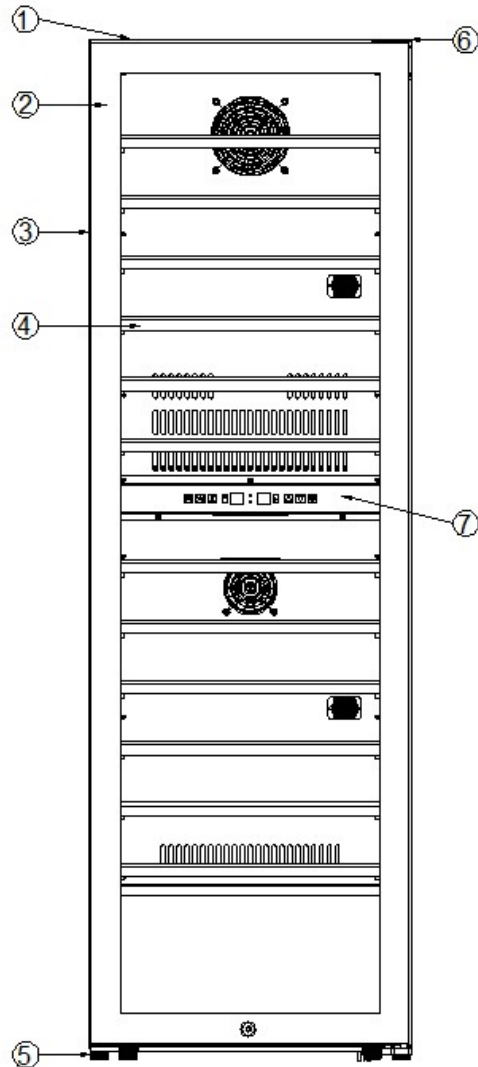


● Product structure

ZS-A252



ZS-B252



- ① Cabinet
- ② Glass door
- ③ Recessed handle
- ④ Shelf
- ⑤ Adjustable leg
- ⑥ Hinge
- ⑦ Control panel

● Reversible door

Figure 1

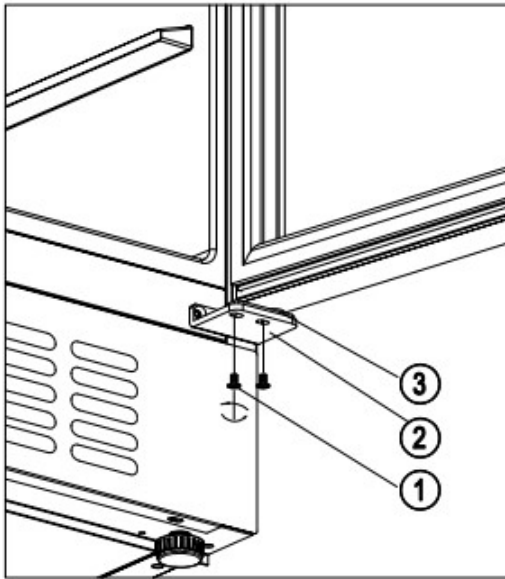


Figure 2

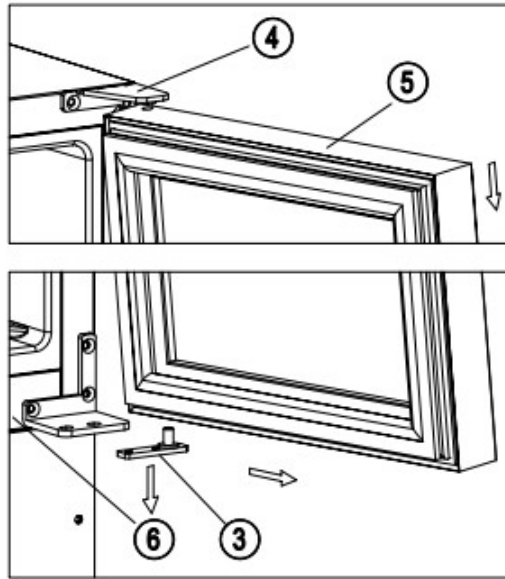


Figure 3

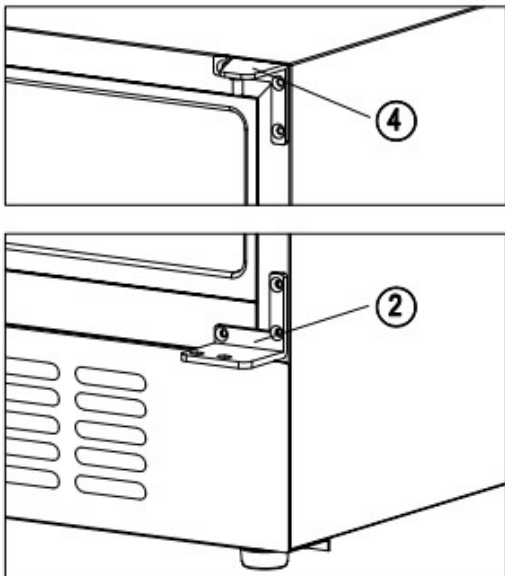
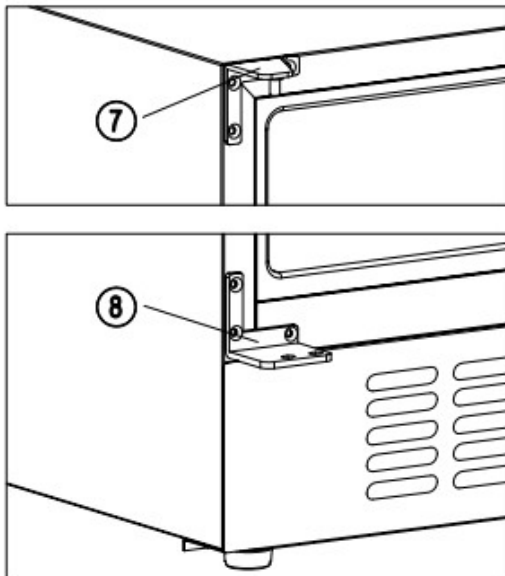


Figure 4



Change the door opening direction: This product can change the door opening direction according to the actual installation needs. The door hinge of the product is on the right side. If you need to change the door direction, please follow the steps below.

1. Tilt the product back to a certain angle, and use a Phillips screwdriver to remove the two screws (1) that fix and adjust the lower hinge (3). see picture 1

2. Then grasp the door body (5), and slowly move the lower right door hinge (2) from the upper right door hinge (4) to the lower front. Place it carefully on a protective cushion. See picture 2

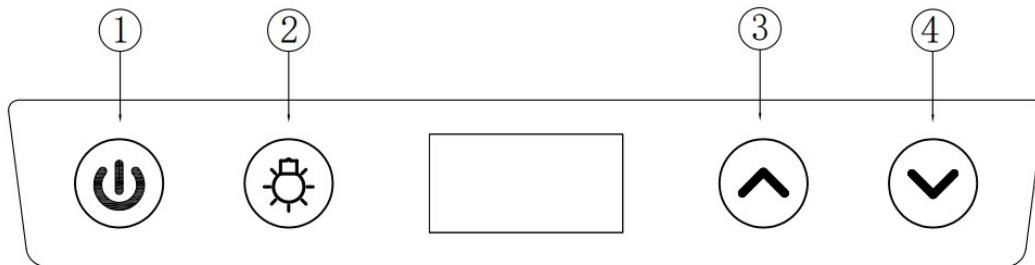
3 Remove the upper right door hinge (4) and the lower right door hinge (2) from the

box, pack and store them for later use. See figure 3

4. Install the upper left door hinge (7) and the lower left door hinge (8) in the box accessory bag at the corresponding position on the left side of the box body (6). See picture 4


5 . Finally, turn the door back 180 degrees, install it in the reverse order of removing the door, adjust and level the door, and complete the replacement of the door opening direction.


● Operation Panel (Single Zone ZS-A252)



1. The temperature of the single-temperature wine cabinet can be set between 2-20°C. According to different wines, different temperatures can be set. It is generally considered that 13-18°C is suitable for storing red wine, and 8-12°C is more suitable for white wine, store champagne at 5-7°C.



2. Control panel:



① Power on/off  : The machine will be on automatically while it is connected to power, and the display screen lights up. In the off state, touch this button to turn on the power, and in the on state, press and hold the button for 3 seconds to turn off the power;

② LED light on/off  : touch this button to control the LED light on/off;

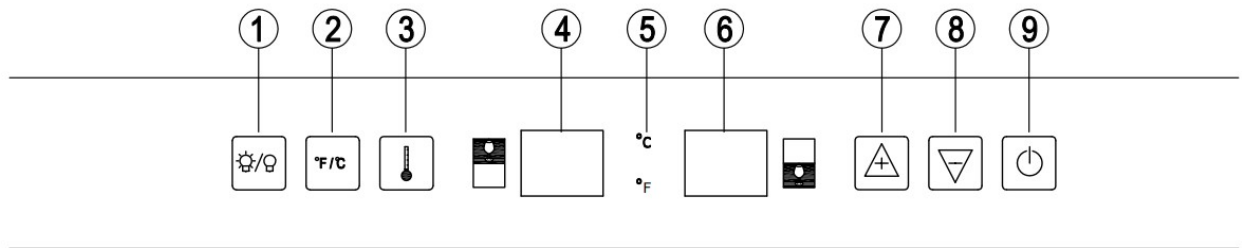
③ Incremental temperature setting key  : touch this key to increase the temperature setting;

④ Temperature decrement setting key  : touch this key to set the temperature decrement;

⑤ °C/°F Switch key: Press  and  at the same time for 3 seconds to switch Fahrenheit and Celsius;

Child lock function: press  and  at the same time for 3 seconds to lock, and all the keys will be locked after being locked. After locking, press two buttons again for 3 seconds to unlock.

● Operation Panel (Dual Zone ZS-B252)




1.Functions of each key in the operation panel.

① light switch key 

Touch this button to control the LED light switch ON/ OFF.

② °C/°F Switch key 


Touch this button to control switch °C/°F


③ Temperature setting key 


The temperature setting must be pressed first to set. Press the temperature setting button once, the upper room temperature display digital tube flashes, indicating that the upper room temperature can be changed by pressing the temperature setting up or down button to change the upper room temperature setting; press it again, the lower room temperature display digital tube Flashing (the upper room temperature display digital tube stops flashing), indicating that the lower room temperature can be changed by pressing the temperature setting up or down button to change the lower room temperature setting; pressing this button again, the upper room and lower room temperature display The nixie tube stops flashing and resumes to display the temperature in the upper and lower chambers respectively. When the upper room or lower room temperature is set, and no button is pressed, it will automatically return to the status of displaying the temperature in the upper room and the lower room respectively after 5 seconds.


④ Upper zone temperature setting / temperature display 




The LED display will show the upper zone setting temperature when “flash”; Display will show the temperature for the actual temperature of the cabinet when normal.



⑤  Temperature measurement unit display

⑥ Lower zone temperature setting / temperature display 
 The LED display will show the lower zone setting temperature when “flash”; Display will show the temperature for the actual temperature of the cabinet when normal.

⑦ Set temperature up key. 
 When the upper zone temperature setting / temperature display or the down zone temperature setting / temperature display is flashing, press this key to change the set temperature of upper or down zone. Press it, the temperature will rise by 1°C or 1°F, until the highest temperature setting in the box;

⑧ Set temperature down key. 
 When the upper zone temperature setting / temperature display or the lower zone temperature setting / temperature display is flashing, press this key to change the set temperature of the upper or lower zone. Press it, the temperature will be down by 1°C or 1°F, until the lowest temperature setting in the box

⑨ Power 
 To control the appliance turn on/off. To turn off the appliance, touch  and hold for at least 5 seconds. Press  again, turn on the appliance. The LED readout will show the original temperature set previously when restart the appliance or reconnect after power cuts .

⑩ Child lock
 Press  and  for 3 seconds, all buttons will be locked. Unlocked if press the two buttons for 3 seconds again.

1. There is automatic storage memory when power off in this wine cooler, that means the setting temperature is memorized automatically even in power off, so the setting temperature is the same as last setting when the wine cooler is running again.

2. Defrosting
 Wine coolers have been designed with an automatic defrost function. The purpose of the defrosting function is to regularly remove the frost that remains on the surface of the evaporator of the refrigeration system (built-in, not visible when it is not disassembled), so as to ensure that the refrigeration system has been operating efficiently and in a good cooling state. When the machine runs for a period of time, the

machine will automatically enter the defrosting state. At this time, the compressor of the wine cooler will stop running, and the cooling fan in the wine cabinet will continue to run to defrost . When defrosting, the temperature in the box will rise, which is not a fault. After defrosting, the cooling will be automatically resumed, and the box temperature will gradually drop to the set temperature.

● Points Of Intentions

1. The vent grill outside the cabinet is the heat dissipation way of cooling system in wine cooler, please prevent anything from covering or blocking, or it will make the wine cooler overheating and cause damage to product.
2. Please prevent blocking cooling fan, or it will make the temperature too high or uneven in the cabinet.
3. Please close the door tightly, it will cause the refrigerating inefficiency, overflow in the cabinet, or unnormal temperature once the door is not closed tightly for a long time.
4. Please shut off the power, and open the door to let the cabinet dry enough if you don't use the wine cooler for a long time.
5. This product is not suitable for areas with an altitude of 2000 meters.

●Product Parameters

Model	ZS-A252	ZS-B252
Voltage	220-240V~/50Hz, 60Hz	220-240V~/50Hz, 60Hz
Net Capacity	248L	242L
Rated Current	0.7A	0.7A
Foaming	Cyclopentane	Cyclopentane
Refrigerant	R600a/35g	R600a/38g
Product Size (WxDxH)	490mm x575mm x 1546mm	490mm x575mm x 1546mm
Climate Type	ST/SN/N	ST/SN/N
Temperature Range	2-20°C (36-68°F)	Upper:2-10°C(36-50°F) Down:10-20°C (50-68°F)
Bottles Holding	133 bottles (5 shelves)	126 bottles (5 shelves)

●Layout And Storage

Your cabinet was designed to store a maximum number of bottles securely. We recommend that you observe the below tips to optimize loading.

- Remove tape from shelves once unit is stable and ready for storage.
- Disperse the bottles evenly to avoid concentrating weight in one place. Bottles must not touch either the back of the cabinet.
- Make sure that the bottles are not all grouped together either at the top or bottom of the cabinet.
- Only pull out one shelf at a time. Never attempt to pull more than one.

- Maximum weight capacity per shelf is 55lbs
- You can crease your wine cooler storage capacity by removing shelves and stacking bottles on top of one another. Do not stack more than 3 rows of bottles per shelf.

●Care Maintenance

Cleaning your wine cooler

- Turn off the power, unplug the appliance, and remove all items including shelves and rack.
- Wash the inside surfaces with a warm water and baking soda solution. The solution should be about 2 tablespoons of baking soda to a pint of water.
- Wash the shelves with a mild detergent solution.
- Wring excess water out of the sponge or cloth when cleaning any area of the controls.
- Wash the outside cabinet with warm water and mild liquid detergent. Rinse well and wipe dry with a clean soft cloth.

Power Failure

- Most power failures are corrected within a few hours should not affect the temperature of your appliance if you minimize the number of times the door is opened. If the power is going to be off for a longer period of time, you need to take to take other measures to protect your contents.
- If the unit is unplugged, loses power,or is turned off you must wait 3to 5 minutes before restarting. Attempting to restart the wine cooler before this time has elapsed may prevent the wine cooler from starting..

Vacation Time

- Short holidays: You may leave the Wine Cooler powered on and unattended for absences of less than three weeks.
- Long absences: If the appliance will not be used for several months, remove all items, turn off the appliance and unplug. Clean and dry the interior thoroughly. To prevent odour and mold growth, leave the door open slightly : blocking it open if necessary.

Moving Your Wine Cooler

- Remove all items.
- Securely tape down all loose items (shelves) inside your appliance.
- Turn the adjustable leg up to the base to avoid damage.
- Tape the door shut.
- Be sure the appliance stays secure in the upright position during transportation.

Also protect outside of appliance with a blanket, or similar item.

Energy Saving Tips

- The Wine Cooler should be located in the coolest area of the room, away from heat producing appliances, and out of the direct sunlight.
- Ensure that the unit is adequately ventilated. Never cover air vents.
- Only open the door for as long as necessary.

● Troubleshooting Guide

Problems with Your Wine Cooler

Many common issues with your wine cooler can be solved very easily. Try the troubleshooting tips below should you experience any problems.

PROBLEM	POSSIBLE CAUSE
Wine Cooler does not operate.	Not plugged in. The appliance is turned off. The circuit breaker tripped or a blown fuse.
Wine Cooler is not cold enough.	Check the temperature control setting. External environment may require a higher setting. The door is opened too often. The door is not closed completely. The door gasket does not seal properly
Turns on and off frequently	The room temperature is hotter than normal. A large amount of contents has been added to the Wine Cooler. The door is open too often The door is not closed completely. The temperature control is not set correctly. The door gasket does not seal properly.
The light does not work.	Not plugged in. The circuit breaker tripped or a blown fuse. The light switch is "OFF".
Vibrations	Check to assure that the Wine Cooler is level.
The door will not close properly.	The Wine Cooler is not level. The door was reversed and not properly installed. The gasket is dirty. The shelves are out of position.
The Wine Cooler seems to make too much noise	The rattling noise may come from the flow of the refrigerant, which is normal. As each cycle ends, you may hear gurgling sounds caused by the flow of refrigerant in your Wine Cooler. Contraction and expansion of the inside walls may cause popping and crackling noises. The Wine Cooler is not level.

Trouble shooting

Fault Code	Reason	Solution
E0	Sensor Open circuit	Change Sensor
E1	Sensor short circuit	Change Sensor
E5	Communication failure	Please contact customer service before returning to our service center for inspection/repair

Wine Cooler surface condensation

Condensation is a natural phenomenon, wine cooler in the summer high temperature and high humidity environment work, box shell and glass door body surface because of the low temperature, the moisture in the air will condense in the box shell and glass door surface, touch a wet feeling. Condensation phenomenon mainly occurs in the door seal, door body surface and other parts. When the relative temperature of the air exceeds 80%, the glass door surface of the wine cooler will appear bead condensation, which is a normal phenomenon, you can use a soft cloth to wipe off the condensation, when the relative reduction in ambient temperature condensation phenomenon will disappear naturally, will not affect the performance of the wine cooler, in addition to reduce the phenomenon of condensation, please pay attention to the following points when you use:

1. wine cooler in the summer rainy season, often use soft cloth to wipe the glass door surface and other condensation department, can reduce the condensation phenomenon.
2. the wine cooler will be placed to the location of better ventilation, which can also reduce the phenomenon of condensation.

●Warranty

The warranty does not apply to damage resulting from abuse, accident, natural disaster, loss of electrical power to the product for any reason, alteration, outdoor use, improper installation, and improper operation, repair or service of the product by anyone other than an authorized by us, service agency or representative.