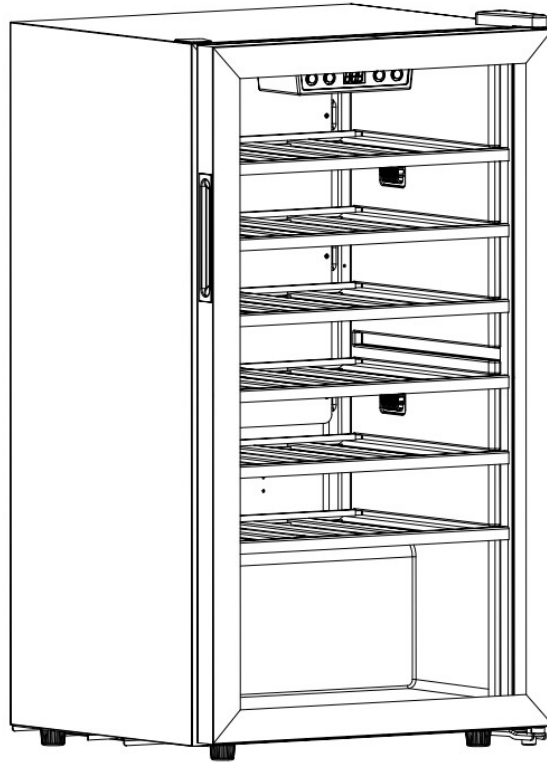


INSTRUCTION MANUAL



MODEL: ZS-A86

Content

I. Safety precautions.

II. The structure diagram of the wine cabinet shows.

III. Installation and use instructions.









IV. Operation and temperature set.

V. Maintenance.

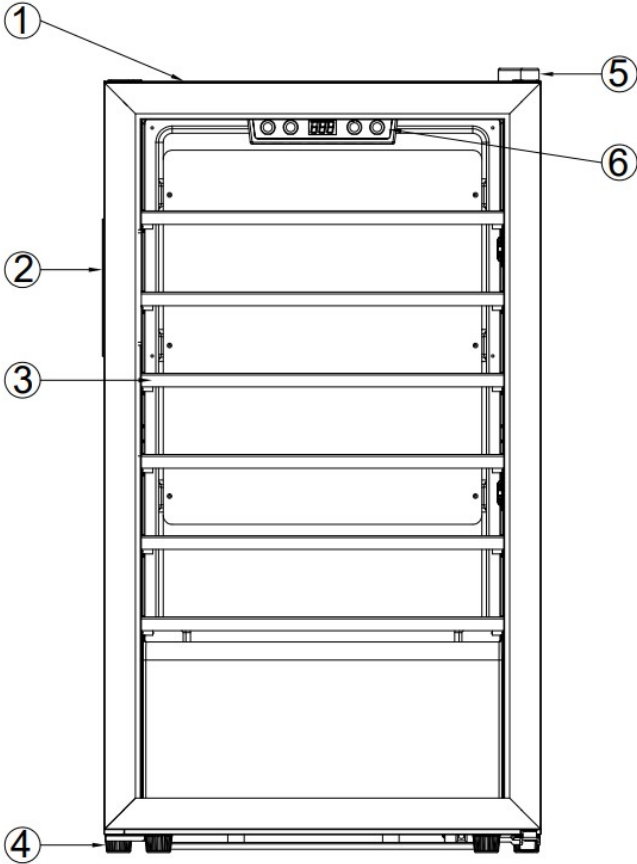
VI. Fault handling.

VII. Technical parameters.

Safety precautions

-  Use the following safety principles to avoid damage to the wine cabinet arising from the working environment.
-  Read carefully before using the product and keep all operating instructions for future reference.
-  Do not allow young children to contact, operate products, or play and crawl around in case of accidents.
-  Do not use damaged wires which must be replaced by the manufacturer or professional to avoid danger.
-  It is strictly prohibited to use inferior wire and plug board transfer. Please guarantee to plug directly into the power socket.
-  Do not clean up products with flammable and corrosive liquids. Please wash with a mild detergent.
-  Do not place the product close to any flammable place, should be far away from the heat source, avoid direct exposure to the sun.
-  Do not pull the wire to unplug the plug, should remove the plug from the socket, and do not plug in the power socket before installation.

Schematic diagram of the wine cabinet structure



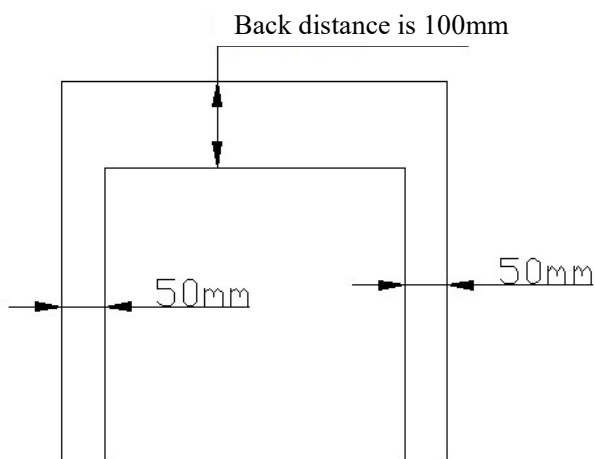
- ① Box body
- ② Recessed handle
- ③ Rack
- ④ Adjustable box foot
- ⑤ Door hinge
- ⑥ Control panel

Installation instructions

Note: Put the wine cabinet in the position that you want to install, which position should be:

- ① Far away from the heat source, good air mobility;
- ② Not wet;
- ③ On the smooth surface;

1. The transported wine cabinet should be placed for 2 to 3 hours before the power supply can be turned on.
2. When handling / moving the wine cabinet, the recessed handle should not be the focal point, and the wine cabinet should be lifted upright from the bottom, not horizontally or inverted, to consolidate all movable parts (the items in the constant temperature wine cabinet should be emptied).
3. Please remove the external and internal packaging first, and clean it with wet soft cloth with warm water.
4. When placing non-embedded wine cabinets, ensure that there is at least 50mm gap on each side and 100mm gap on the back, because this is the main outlet of heat air and has sufficient ventilation system, as shown in Figure 1
5. The automatic protection of the compressor after power failure or shutdown takes 5 minutes before starting the refrigeration.
6. When the wine cabinet is loaded and running, please make sure that the ground is stable.
7. Avoid wine cabinets near heat, direct light and humidity, and ensure that the cabinets remain vertical and stable (prevent vibration and noise).
8. Do not place items on the top of the wine cabinet, and avoid storing food or drinks, while making sure that there is enough room between the bottles to ensure air circulation.
9. After the first use or long-term use, and then use, should drop to the set temperature and then put in the red wine.
10. At the start of use, the compressor parts of the new machine need a running-in process. It is recommended to put red wine refrigerated in batches to reduce the circulating load of the compressor, and better prolong the life of the wine cabinet.



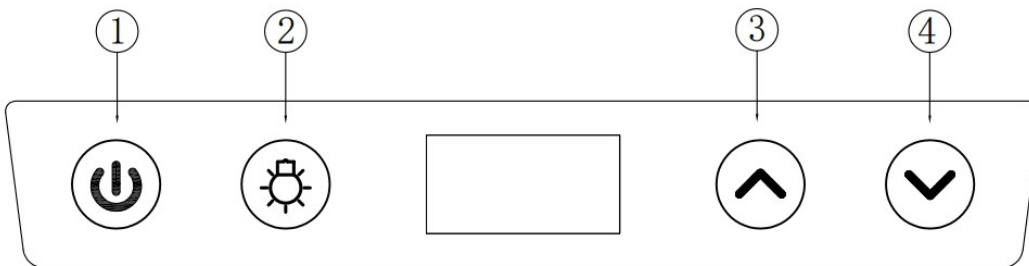
Move wine cabinet

Remove all alcohol or other items and fix the shelves, bind closed doors to prevent damage to adjustable feet. Please tighten them all to ensure that the wine cabinet remains upright during transportation.

Operation and temperature regulation

1. Plug in the power cord and turn the power on. The rated power supply used in the wine cabinet is 220-240V / 50HZ, the power socket used is the standard 12A-16A.220V above the socket with ground cable, and should also be equipped with fuse and leakage protection switch
2. When the first time it is powered on, the machine will run automatically.
3. During the first startup, the temperature in the wine cabinet is shown according to the ambient temperature (room temperature) outside the wine cabinet.
4. When the wine cabinet operates normally, show the measured temperature in the cabinet, and the fan in the wine cabinet starts to operate.
5. The temperature in the machine can be adjusted by the control button.
6. Refrigeration speed: at the ambient temperature of 25°C, the temperature in the wine cabinet go to 5°C within 1-2 hours (vacant constant temperature wine cabinet). When the temperature control is adjusted, it takes a period of time for the temperature to reach the set temperature.

Note: Temperature control operation, as shown (single temperature)



1. The temperature of the single-zone wine cooler can be set between 5-20°C, and different temperatures can be set according to the type of wine.

2. Introduction of the control panel:

① Power on / off: Once the product turns the power on, it automatically enters the startup state and the display screen is lit. Press the button for 3 seconds before cutting off the power and enter the standby state, the display is off. In the standby state, press the button for 3 seconds to start the power, and the display is on again.

② LED light on / off: touch this key to control the LED light on / off;

③ Temperature increase setting key: touch this key to increase the temperature setting;

④ temperature drop setting key: touch this key to set the temperature drop;

°C / °F switch function: press the ③ and ④ at the same time to switch between °C and °F temperature displays for about 3 seconds;

Child lock function: press ① and ② for 3 seconds, all buttons are locked. Press ① and ② for 3 seconds again to unlock.

Product maintenance and maintenance

1. After the power off, the self-protection of the compressor shall wait 5 minutes before starting the cooling; otherwise, the wine cabinet will not operate.

2. If you use the wine cabinet for the first time or reuse it after a long downtime, the temperature you set may not match the temperature displayed in the wine cabinet. After the wine cabinet runs for a period of time, the temperature display will return to normal.

Clean the wine cabinet (keep clean to prevent odor production, according to the following steps.)

1. Cut off the power supply, clean the layer surface with a clean soft cloth and dry it immediately.

2. Do not use coarse brush and rough grinding cleaning to clean the wine cabinet tank, which will easily damage the surface of the inner tank.

3. Wipe the outside of the wine cabinet with soft cloth with neutral cleaning or warm water, and

then dry with clean soft cloth.

4. When cleaning the wine cabinet accessories, the power cord must be unplugged. Wipe away the water vapor with a sponge or soft cloth, to waterproof or other liquid into the wine cabinet accessories, causing electric shock.

Rare use of the wine cooler

If you decide to stop using the wine cabinet for a period of time, follow these steps:

1. First shut down and unplug the power plug;
2. Remove all the items in the wine cabinet and clean them;
3. Open the door slightly to avoid a bad smell.

Common fault handling

1. Wine cabinet is not running: no power supply or power switch; circuit failure or fuse burning.
2. Poor refrigeration effect of the wine cabinet: check the temperature control setting; the ambient temperature is too high or the poor ventilation; the cabinet door opens too often; the cabinet door is not closed.
3. LED lamp is not on: lamp switch is not on; circuit fault or fuse burned out.
4. Wine cabinet vibration: please ensure that the wine cabinet is placed smoothly.
5. Excessive noise: whether there are items behind the wine cabinet that resonate with the cabinet machine; whether they are placed in unstable or uneven places.

Note: If the wine cabinet cannot operate normally, under any case, to ensure safety, first unplug the power plug, and then contact the supplier.

Several non-fault phenomena

The surface of the wine cabinet is condensed

Condensation is a natural phenomenon. The wine cabinet works in the environment of high temperature and high humidity in summer. The surface of the shell of the box and the glass door body because of the low temperature, the moisture in the air will be condensed on the surface of the shell and the glass door, with the moist feeling of touch. Dew condensation phenomenon mainly occurs in the door seal, door body surface and other parts. When the relative air temperature is more than 80%, wine cabinet glass door surface will appear bead condensation, this is a normal phenomenon, condensation phenomenon, you use soft cloth will wipe the condensation, when the ambient temperature is relatively reduced condensation phenomenon will disappear, will not affect the performance of the wine cabinet, in addition to reduce the phenomenon of condensation, please pay attention to the following points when using:

1. Wine cabinet in the summer plum rain season, often wipe the glass door surface and other

condensation parts, can reduce the condensation phenomenon.

2. Place the wine cabinet in a better ventilated position, which can also reduce the condensation phenomenon.

Box heating

The condensate pipe is close to the inside of the left and right-side panels of the outer box. When the wine cabinet works, dissipate heat outward through the condensate pipe. In order to get the best cooling effect of your selected wine cabinet, please pay attention to the following points when using it:

1. Keep the side panel of the box clean, and leave no less than 50MM cooling space for the wine cabinet.
2. The position of the wine cabinet should be well ventilated, so that the heat emitted from the surface of the box can be fully exchanged with the surrounding air.
3. As the surface temperature of the wine cabinet increases in summer, the surrounding temperature will rise when running. Temperature-sensitive items should not be placed on both sides of the wine cabinet.
4. Although the temperature of the wine cabinet is not very high, children should pay attention not to touch the heat dissipation surface of the box in summer.

The wine cabinet has a vibration or a sound like running water:

1. When the wine cabinet works, the compressor will produce a slightly "buzzing" sound. Also, if the wine cabinet is not placed smoothly, it will produce vibration and noise.

2. Refrigeration system refrigerant flows in the pipeline like running water.

If the above sound is a normal phenomenon

3. Error fault code.

Fault code	Description
Digital tube display E0	Open circuit for the temperature sensor
Digital tube display E1	The Temperature sensor is short-circuited
Digital tube display E5	Communication fault (signal line fault)
Digital tube display H	High temperature alarm
Digital tube display L	low-temperature warning

IMPORTANT:

This appliance is not intended for use by persons (including children) with reduced physical, sensory or mental capabilities, or lack of experience and knowledge, unless they are under supervision have been instructed how to use the appliance by a person responsible for their safety!

The children have to observe and watched not to play with the appliance!



Correct Disposal of this product

This marking indicates that this product should not be disposed with other household wastes throughout the EU. To prevent possible harm to the environment or human health from uncontrolled waste disposal, recycle it responsibly to promote the sustainable reuse of material resources. To return your used device, please use the return and collection systems or contact the retailer where the product was purchased. They can take this product for environmental safe recycling.



The product meets the requirements of the applicable EC directives