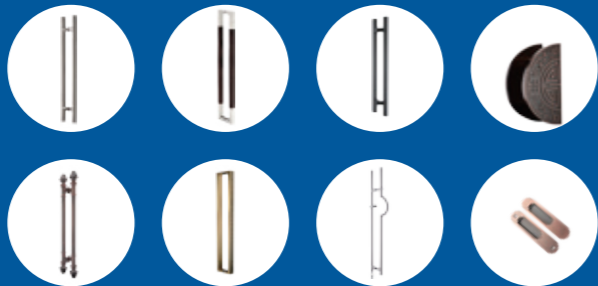
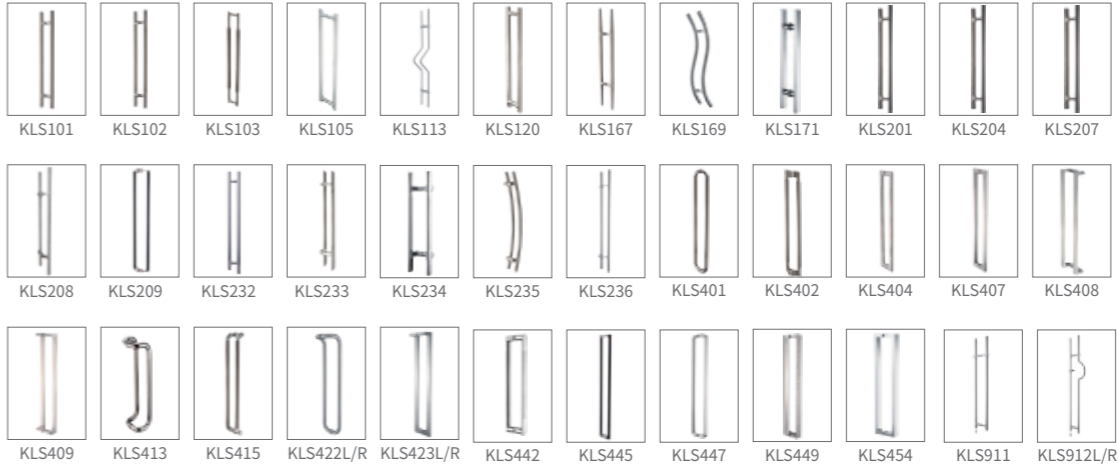


08

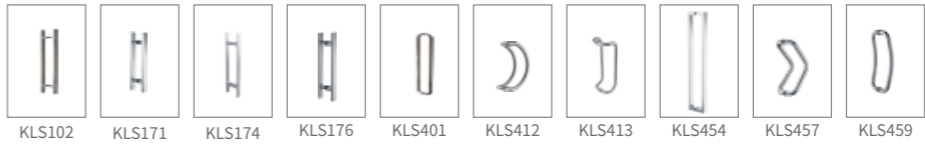
Door Handle



Stainless steel handle(Big)



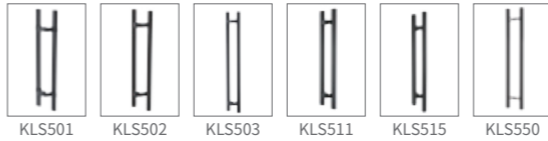
Stainless steel handle(Small)



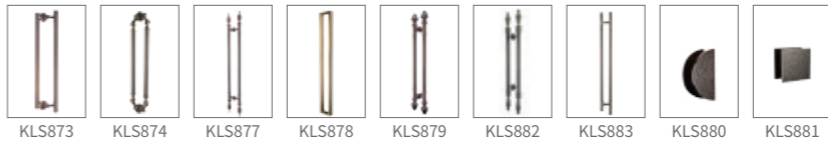
Stainless steel + solid wood / ABS handle



Aluminum-Alloy handle



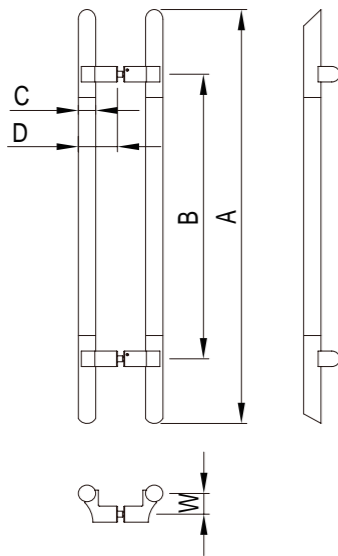
Luxury handle



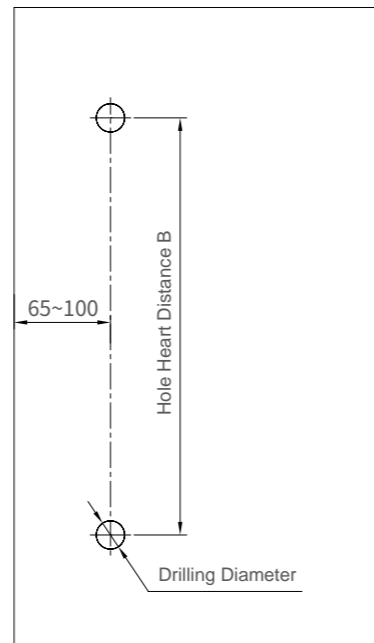
Sliding door handle



Product Outside Drawing



Glass cut out drawing



Note:
 1. The trepanning diameter is relied on the specific handle code.
 2. When the door width is more than 1000mm, it needs to adjust the distance (65-100) between handle center and door frame.

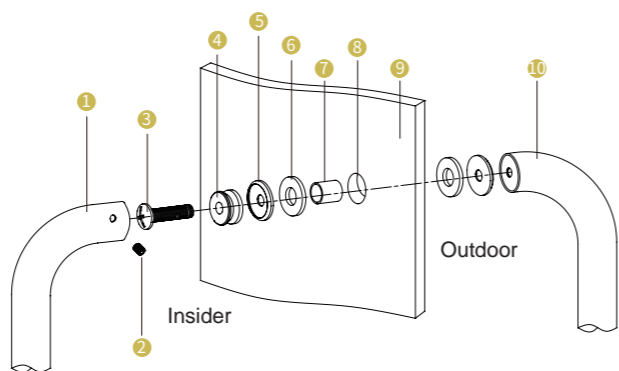
Product Dimension Definition

- A Total length of handle
- B Center hole Distance
- C Handle Pipe Specification
- D Distance between the outside handle and the glass surface
- W Distance between the support centre of handle and the hole centre

Surface Finish

Type	Standard Color	Type	Standard Color
Electroplating	Red bronze	Spraying	Black (AD3000-4383236)
	Green bronze		Coffee (SW9331)
	Champaign Gold		Dark Gray (SW2035)
	Rose Gold		
	Black Titanium		

Installation Diagram



- 1 Interior Handle
- 2 Set Screw
- 3 Screw
- 4 Lock Nut
- 5 Decorative covers
- 6 Spacer
- 7 Gasket
- 8 Installing Hole
- 9 Door Leaf
- 10 Exterior Handle

Note: The inner handle is installed indoors and fixed with set screws.

Instruction:

1. When installing the handle, prevent the non-metal parts from knocking, scratching and other similar conditions those are difficult to repair;
2. Handles with electroplating, spraying, solid wood, ABS, PVC are not suitable for using directly under sunlight;
3. Solid wood, ABS, PVC handles only supply for standard products; Due to the effect of photography and printing, there are differences between physical objects and pictures. Please refer to physical objects.

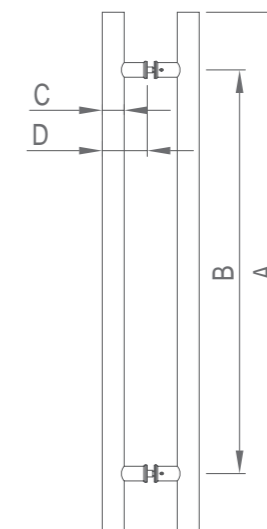


KLS101 Handle

Technical Parameters

Main Material: S.S 304
 Surface Finish: Satin
 Drilling Size: $\Phi 14\text{mm}$ (Glass door),
 $\Phi 10\text{mm}$ (wooden door, framed door),
 Applicable Door Type: Wooden door, glass door, framed door
 Applicable Door Thickness: 10~50mm
 [When the door thickness is more than 50mm, it needs to change the coupling screw.]

Specification



Specification

Code	KLS10108	KLS10110	KLS10112	KLS10115	KLS10118	KLS10120
A(mm)	800	1000	1200	1500	1800	2000
B(mm)	600	800	1000	1300	1500	1700
C(mm)	$\Phi 38 \times 0.8$	$\Phi 38 \times 0.8$	$\Phi 38 \times 0.8$	$\Phi 38 \times 0.8$	$\Phi 38 \times 0.8$	$\Phi 38 \times 1.2$
D(mm)	80	80	80	80	80	80

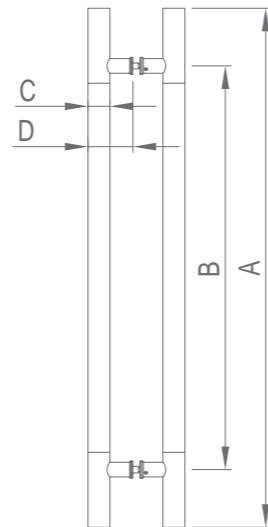


KLS102 Handle

Technical Parameters

Main Material: S.S 304
 Surface Finish: Mirror/ Satin
 [Ends are mirror + middle is satin]
 Drilling Size: $\Phi 14\text{mm}$ (Glass door),
 $\Phi 10\text{mm}$ (wooden door, framed door),
 Applicable Door Type: Wooden door, glass door, framed door and so on
 Applicable Door Thickness: 10~50mm
 [When the door thickness is more than 50mm, it needs to change the coupling screw.]

Specification

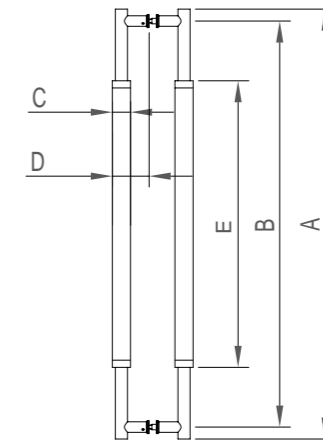


KLS103 Handle

Technical Parameters

Main Material: S.S 304
 Surface Finish: Mirror / Satin
 [Ends are mirror + middle is satin]
 Drilling Size: $\Phi 14\text{mm}$ (Glass door),
 $\Phi 10\text{mm}$ (wooden door, framed door),
 Applicable Door Type: Wooden door, glass door, framed door and so on
 Applicable Door Thickness: 10~50mm
 [When the door thickness is more than 50mm, it needs to change the coupling screw.]

Specification



Specification

Code	KLS10206	KLS10208	KLS10210	KLS10212	KLS10215	KLS10218	KLS10220	KLS10222	KLS10224	KLS10226	KLS10228	KLS10230
A(mm)	600	800	1000	1200	1500	1800	2000	2200	2400	2600	2800	3000
B(mm)	400	600	800	1000	1300	1600	1600	1800	1800	1800	2000	2200
C(mm)	$\Phi 32^*0.8$	$\Phi 32^*0.8$	$\Phi 38^*0.8$	$\Phi 38^*0.8$	$\Phi 38^*0.8$	$\Phi 38^*0.8$	$\Phi 38^*1.2$	$\Phi 38^*1.2$	$\Phi 38^*1.2$	$\Phi 38^*1.2$	$\Phi 38^*1.5$	$\Phi 38^*1.5$
D(mm)	72	72	80	80	80	80	80	80	80	80	80	80

Specification

Code	KLS10308	KLS10310	KLS10312	KLS10315A	KLS10318A	KLS10320A
A(mm)	800	1000	1200	1500	1800	2000
B(mm)	750	950	1150	1450	1750	1900
C(mm)	$\Phi 38^*0.8$	$\Phi 38^*0.8$	$\Phi 38^*0.8$	$\Phi 38^*0.8$	$\Phi 38^*0.8$	$\Phi 38^*1.2$
D(mm)	77	77	77	77	77	77
E(mm)	500	700	900	1200	1500	1700

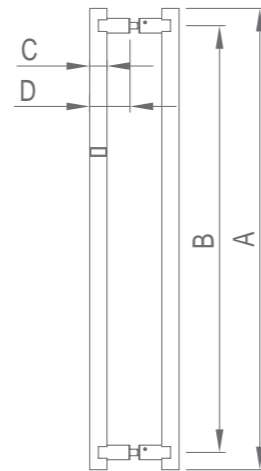


KLS105 Handle

Technical Parameters

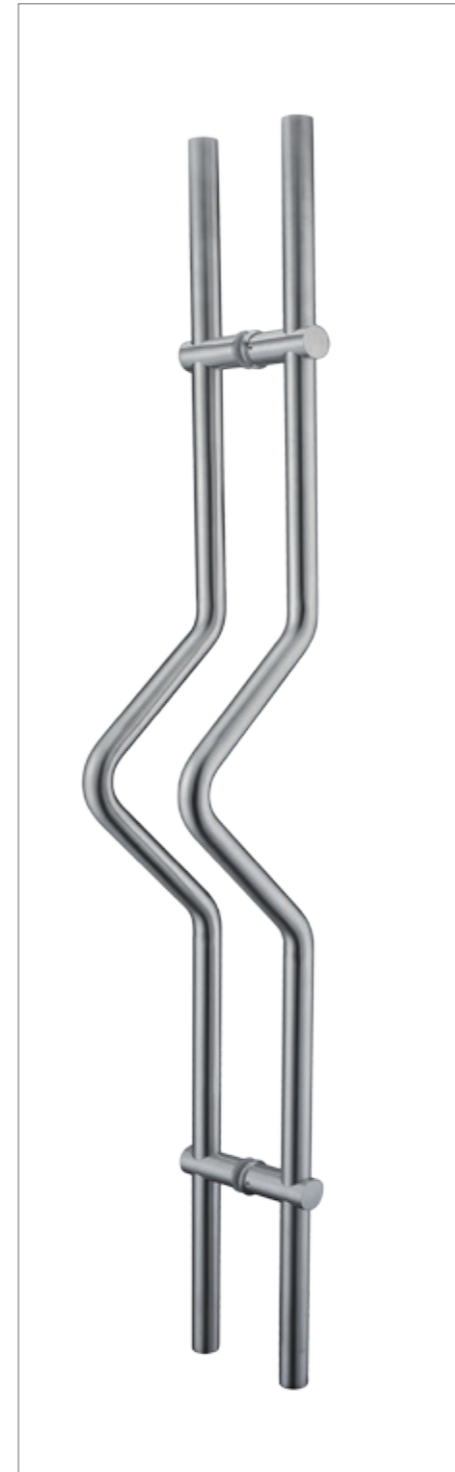
Main Material: S.S 304
 Surface Finish: Satin
 Drilling Size: Φ 14mm(Glass door),
 Φ 10mm(wooden door, framed door),
 Applicable Door Type: Wooden door, glass door, framed door and so on
 Applicable Door Thickness: 10-50mm
 [When the door thickness is more than 50mm, it needs to change the coupling screw.]

Specification



Specification

Code	KLS10508	KLS10512	KLS10515	KLS10518	KLS10520	KLS10522	KLS10524	KLS10526
A(mm)	800	1200	1500	1800	2000	2200	2400	2600
B(mm)	700	1100	1300	1600	1800	2000	2200	2400
C(mm)	38*25*0.8	38*25*0.8	38*25*0.8	38*25*0.8	50*25*1.2	50*25*1.2	50*25*1.5	50*25*1.5
D(mm)	75	75	75	75	87	87	87	87

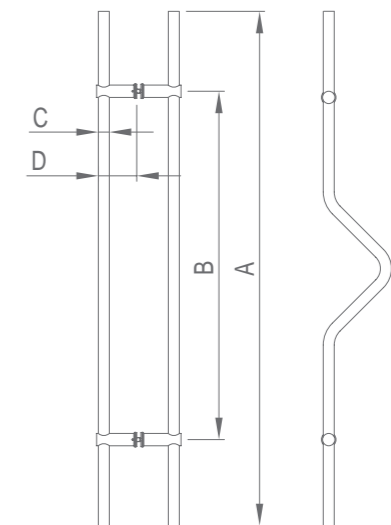


KLS113 Handle

Technical Parameters

Main Material: S.S 304
 Surface Finish: Satin
 Drilling Size: Φ 14mm(Glass door),
 Φ 10mm(wooden door, framed door),
 Applicable Door Type: Wooden door, glass door, framed door and so on
 Applicable Door Thickness: 10-50mm
 [When the door thickness is more than 50mm, it needs to change the coupling screw.]

Specification



Specification

Code	KLS11315
A(mm)	1500
B(mm)	1000
C(mm)	Φ 32*1.2
D(mm)	80

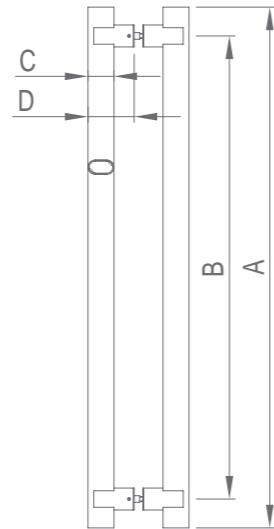


KLS120 Handle

Technical Parameters

Main Material: S.S 304
 Surface Finish: Satin
 Drilling Size: Φ 14mm(Glass door),
 Φ 10mm(wooden door, framed door),
 Applicable Door Type: Wooden door, glass door, framed door and so on
 Applicable Door Thickness: 10~50mm
 [When the door thickness is more than 50mm, it needs to change the coupling screw.]

Specification



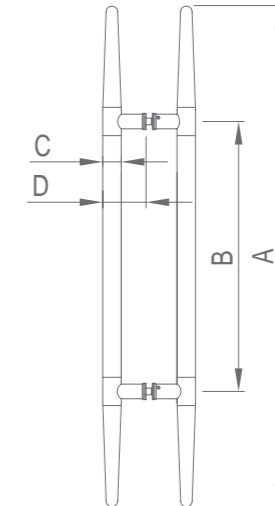
KLS167 Handle

Previous Code LS301

Technical Parameters

Main Material: S.S 304
 Surface Finish: Mirro / Satin
 [Supporting area is mirror + other area is satin]
 Drilling Size: Φ 14mm(Glass door),
 Φ 10mm(wooden door, framed door),
 Applicable Door Type: Wooden door, glass door, framed door and so on
 Applicable Door Thickness: 10~50mm
 [When the door thickness is more than 50mm, it needs to change the coupling screw.]

Specification



Specification

Code	KLS12008	KLS12010	KLS12012	KLS12015	KLS12018
A(mm)	800	1000	1200	1500	1800
B(mm)	700	800	1000	1300	1600
C(mm)	45*25*0.8	45*25*0.8	45*25*0.8	45*25*0.8	45*25*0.8
D(mm)	80	80	80	80	80

Specification

Code	KLS16708	KLS16710	KLS16712
A(mm)	800	1000	1200
B(mm)	400	500	600
C(mm)	Φ 32*1.2	Φ 38*1.2	Φ 38*1.2
D(mm)	72	80	80

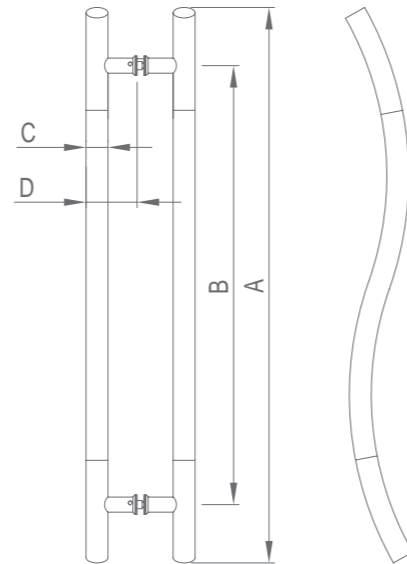


KLS169 Handle

Technical Parameters

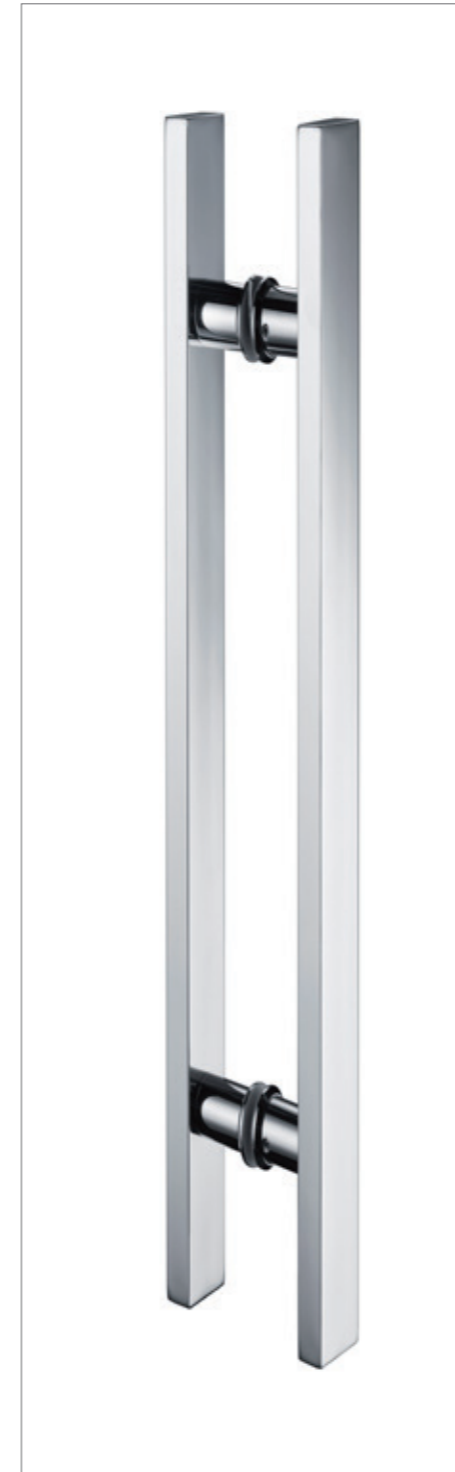
Main Material: S.S 304
 Surface Finish: Mirror + Satin
 [Ends are mirror + middle is satin]
 Drilling Size: $\Phi 14\text{mm}$ (Glass door),
 $\Phi 10\text{mm}$ (wooden door, framed door),
 Applicable Door Type: Wooden door, glass door, framed door and so on
 Applicable Door Thickness: 10~50mm
 [When the door thickness is more than 50mm, it needs to change the coupling screw.]

Specification



Specification

Code	KLS16908
A(mm)	800
B(mm)	500
C(mm)	$\Phi 38 \times 1.2$
D(mm)	80

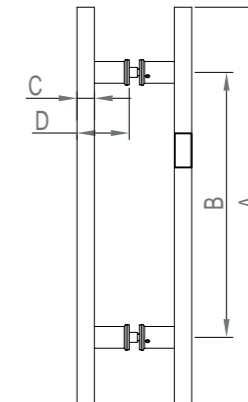


KLS171 Handle

Technical Parameters

Main Material: S.S 304
 Surface Finish: Satin
 Drilling Size: $\Phi 14\text{mm}$ (Glass door),
 $\Phi 10\text{mm}$ (wooden door, framed door),
 Applicable Door Type: Wooden door, glass door, framed door and so on
 Applicable Door Thickness: 10~50mm
 [When the door thickness is more than 50mm, it needs to change the coupling screw.]

Specification



Specification

Code	KLS17108	KLS17110	KLS17112	KLS17115
A(mm)	800	1000	1200	1500
B(mm)	600	800	1000	1300
C(mm)	$20 \times 40 \times 0.8$	$20 \times 40 \times 0.8$	$20 \times 40 \times 0.8$	$20 \times 40 \times 0.8$
D(mm)	60	60	60	60



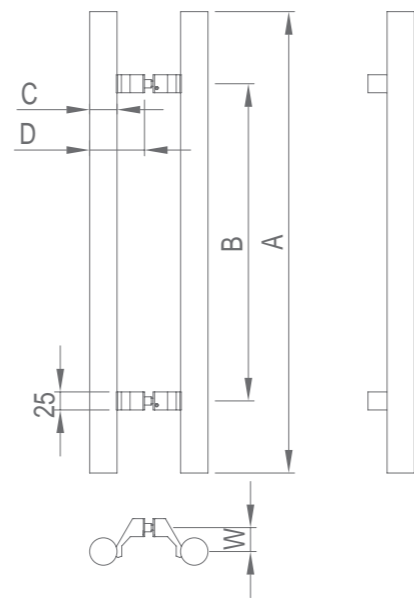
KLS201 Handle

Previous Code LS201

Technical Parameters

Main Material: S.S 304
 Surface Finish: Satin
 Drilling Size: $\Phi 14\text{mm}$ (Glass door),
 $\Phi 10\text{mm}$ (wooden door, framed door),
 Applicable Door Type: Wooden door, glass door, framed door and so on
 Applicable Door Thickness: 10~50mm
 [When the door thickness is more than 50mm, it needs to change the coupling screw.]
 Supporter is the precision casting S.S 304

Specification



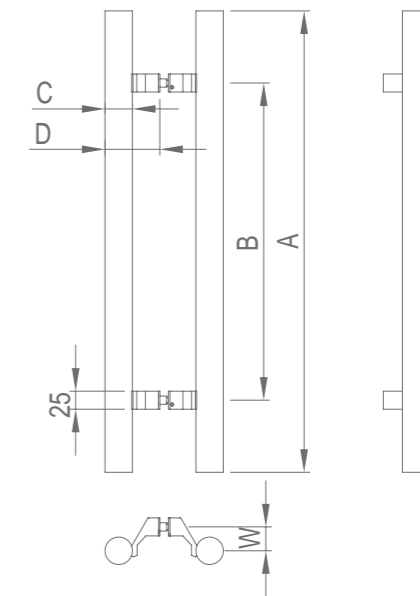
KLS204 Handle

Previous Code LS201C

Technical Parameters

Main Material: S.S 304
 Surface Finish: Satin
 Drilling Size: $\Phi 14\text{mm}$ (Glass door),
 $\Phi 10\text{mm}$ (wooden door, framed door),
 Applicable Door Type: Wooden door, glass door, framed door and so on
 Applicable Door Thickness: 10~50mm
 [When the door thickness is more than 50mm, it needs to change the coupling screw.]
 Supporter is the precision casting S.S 304

Specification

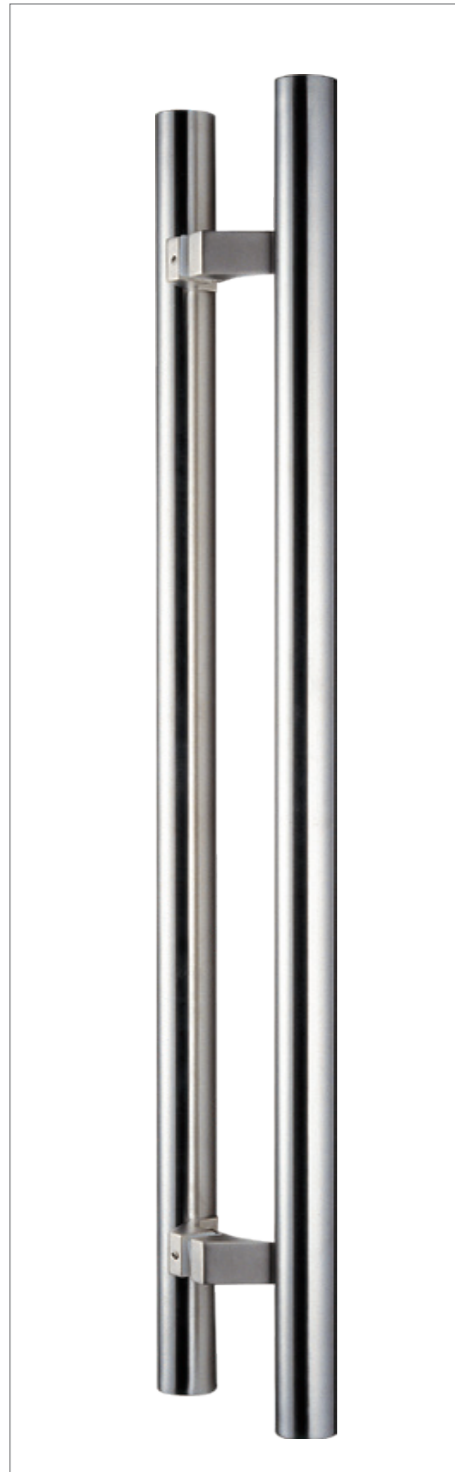


Specification

Code	KLS20108	KLS20110	KLS20112	KLS20115	KLS20118	KLS20120
A(mm)	800	1000	1200	1500	1800	2000
B(mm)	600	800	1000	1300	1500	1700
C(mm)	$\Phi 32^*1.2$	$\Phi 38^*1.2$	$\Phi 38^*1.2$	$\Phi 38^*1.2$	$\Phi 38^*1.2$	$\Phi 38^*1.2$
D(mm)	70	76	76	76	76	76
W(mm)	33	33	33	33	33	33

Specification

Code	KLS20408	KLS20410	KLS20412	KLS20415	KLS20418	KLS20420
A(mm)	800	1000	1200	1500	1800	2000
B(mm)	600	800	1000	1300	1500	1700
C(mm)	$\Phi 38^*0.8$	$\Phi 38^*0.8$	$\Phi 38^*0.8$	$\Phi 38^*0.8$	$\Phi 38^*0.8$	$\Phi 38^*1.2$
D(mm)	76	76	76	76	76	76
W(mm)	33	33	33	33	33	33

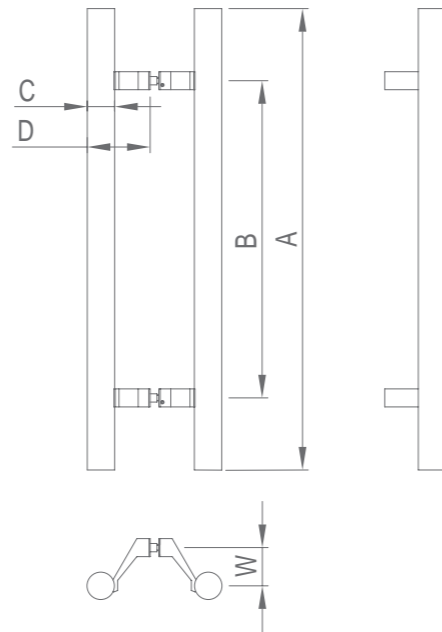


KLS207 Handle

Technical Parameters

Main Material: S.S 304
 Surface Finish: Satin
 Drilling Size: $\Phi 14\text{mm}$ (Glass door),
 $\Phi 10\text{mm}$ (wooden door, framed door),
 Applicable Door Type: Wooden door, glass door, framed door and so on
 Applicable Door Thickness: 10~50mm
 [When the door thickness is more than 50mm, it needs to change the coupling screw.]
 Supporter is the press forming S.S 304

Specification

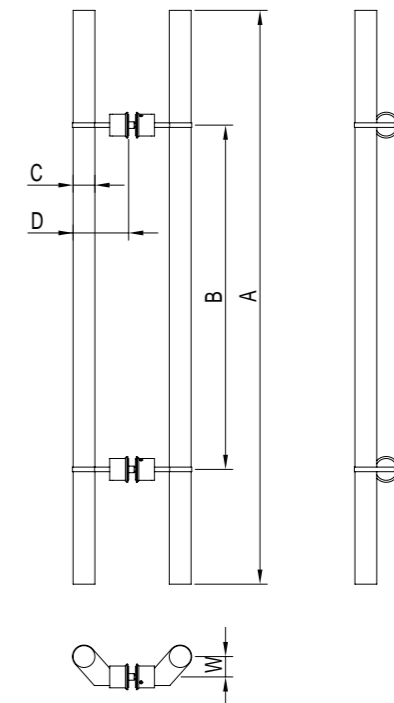


KLS208 Handle (Nwe)

Technical Parameters

Main Material: S.S 304
 Surface Finish: Mirro (supporter) / Satin
 Drilling Size: $\Phi 14\text{mm}$ (Glass door),
 $\Phi 10\text{mm}$ (wooden door, framed door),
 Applicable Door Type: Wooden door, glass door, framed door and so on
 Applicable Door Thickness: 10~50mm
 [When the door thickness is more than 50mm, it needs to change the coupling screw.]

Specification



Specification

Code	KLS20710	KLS20715	KLS20720	KLS20724	KLS20726
A(mm)	1000	1500	2000	2400	2600
B(mm)	800	1300	1700	2200	2400
C(mm)	$\Phi 38^*1.2$	$\Phi 38^*1.2$	$\Phi 38^*1.2$	$\Phi 51^*1.2$	$\Phi 51^*1.2$
D(mm)	88	88	88	100	100
W(mm)	53	53	53	53	53

Specification

Code	KLS20810	KLS20812	KLS20815	KLS20818
A(mm)	1000	1200	1500	1800
B(mm)	600	800	1000	1200
C(mm)	$\Phi 38^*0.8$	$\Phi 38^*0.8$	$\Phi 38^*0.8$	$\Phi 38^*0.8$
D(mm)	97	97	97	97
W(mm)	35.5	35.5	35.5	35.5

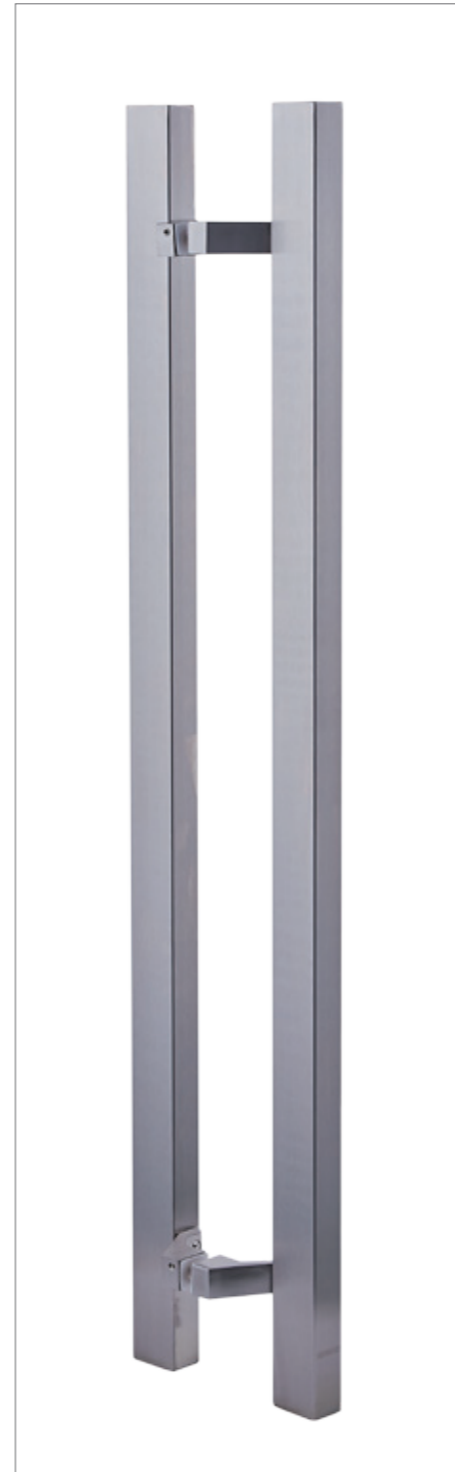
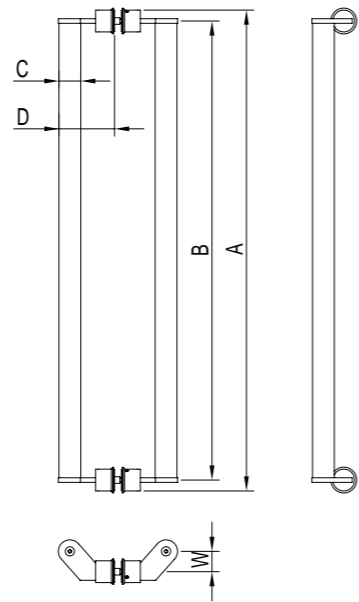


KLS209 Handle (Nwe)

Technical Parameters

Main Material: S.S 304
 Surface Finish: Mirror / black
 Drilling Size: $\Phi 14\text{mm}$ (Glass door),
 $\Phi 10\text{mm}$ (wooden door, framed door),
 Applicable Door Type: Wooden door, glass door, framed door and so on
 Applicable Door Thickness: 10~50mm
 [When the door thickness is more than 50mm, it needs to change the coupling screw.]

Specification

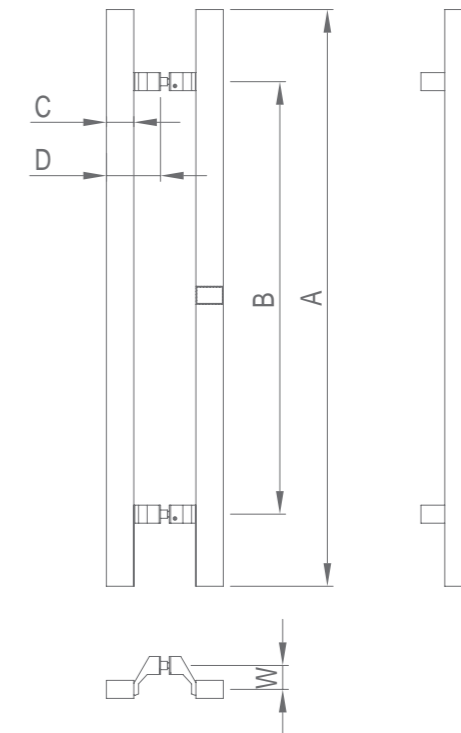


KLS232 Handle

Technical Parameters

Main Material: S.S 304
 Surface Finish: Satin
 Drilling Size: $\Phi 14\text{mm}$ (Glass door),
 $\Phi 10\text{mm}$ (wooden door, framed door),
 Applicable Door Type: Wooden door, glass door, framed door and so on
 Applicable Door Thickness: 10~50mm
 [When the door thickness is more than 50mm, it needs to change the coupling screw.]
 Supporter is the precision casting S.S 304

Specification



Specification

Code	KLS20908	KLS20910	KLS20912	KLS20915
A(mm)	838	1038	1238	1538
B(mm)	800	1000	1200	1500
C(mm)	$\Phi 38^*0.8$	$\Phi 38^*0.8$	$\Phi 38^*0.8$	$\Phi 38^*0.8$
D(mm)	97	97	97	97
W(mm)	35.5	35.5	35.5	35.5

Specification

Code	KLS23210	KLS23212	KLS23215
A(mm)	1000	1200	1500
B(mm)	800	1000	1300
C(mm)	$38^*25^*0.8$	$38^*25^*0.8$	$38^*25^*0.8$
D(mm)	75	75	75
W(mm)	33	33	33

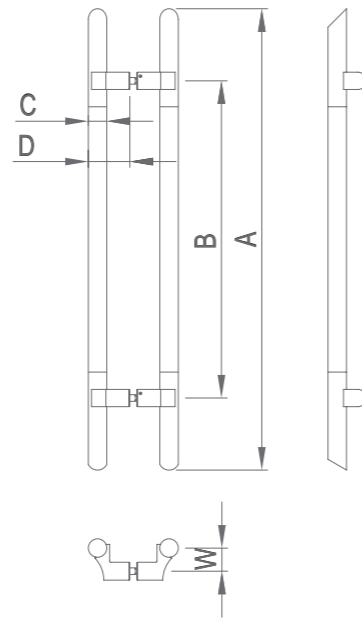


KLS233 Handle

Technical Parameters

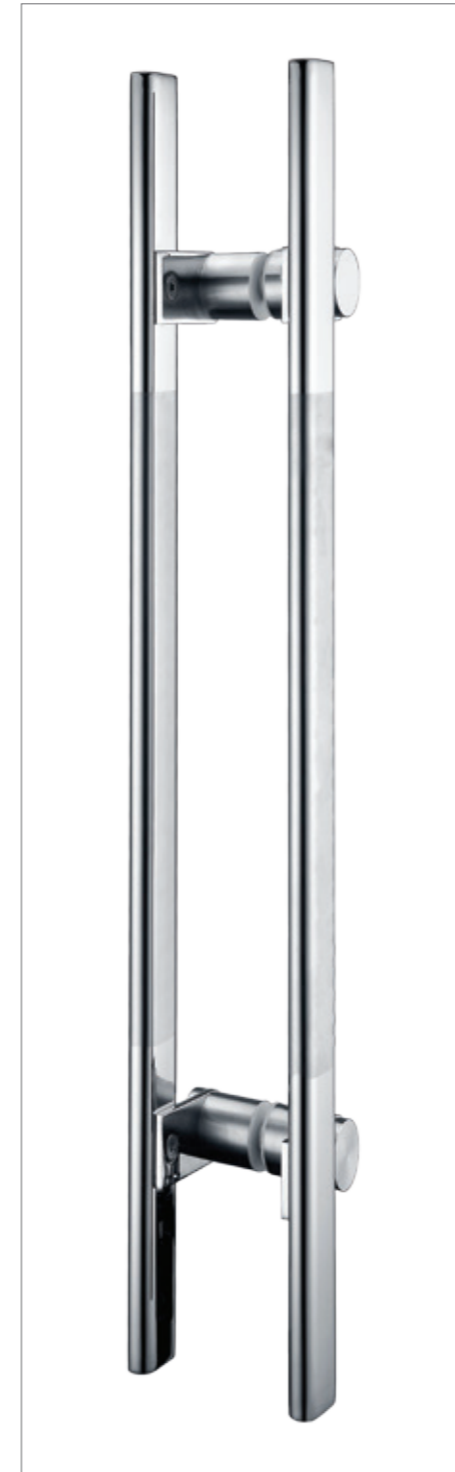
Main Material: S.S 304
 Surface Finish: Mirror / Satin
 [Ends are mirror + middle is satin]
 Drilling Size: $\Phi 14\text{mm}$ (Glass door),
 $\Phi 10\text{mm}$ (wooden door, framed door),
 Applicable Door Type: Wooden door, glass door, framed door and so on
 Applicable Door Thickness: 10~50mm
 [When the door thickness is more than 50mm, it needs to change the coupling screw.]
 Supporter is the precision casting S.S 304

Specification



Specification

Code	KLS23308	KLS23310	KLS23312	KLS23315	KLS23318	KLS23320
A(mm)	800	1000	1200	1500	1800	2000
B(mm)	600	800	1000	1300	1500	1700
C(mm)	$\Phi 32*0.8$	$\Phi 32*0.8$	$\Phi 38*0.8$	$\Phi 38*0.8$	$\Phi 38*0.8$	$\Phi 38*1.2$
D(mm)	67	67	74	74	74	74
W(mm)	40	40	40	40	40	40

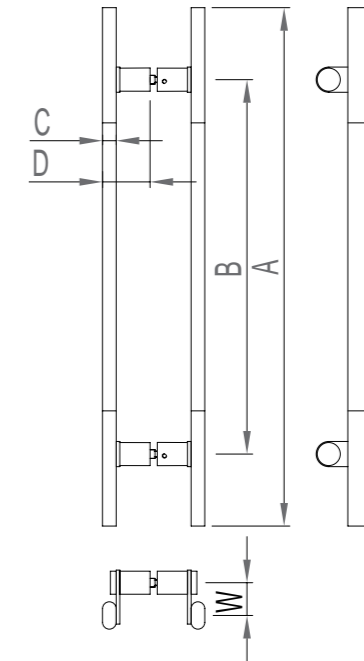


KLS234 Handle

Technical Parameters

Main Material: S.S 304
 Surface Finish: Mirror / Satin
 [Ends are mirror + middle is satin]
 Drilling Size: $\Phi 14\text{mm}$ (Glass door),
 $\Phi 10\text{mm}$ (wooden door, framed door),
 Applicable Door Type: Wooden door, glass door, framed door and so on
 Applicable Door Thickness: 10~50mm
 [When the door thickness is more than 50mm, it needs to change the coupling screw.]

Specification



Specification

Code	KLS23408	KLS23410	KLS23412
A(mm)	800	1000	1200
B(mm)	600	800	1000
C(mm)	$19*38*1.2$	$19*38*1.2$	$19*38*1.2$
D(mm)	66	66	66
W(mm)	46	46	46



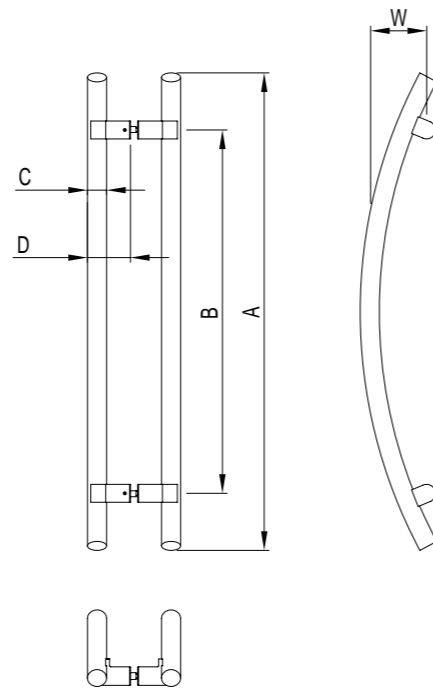
KLS235 Handle

Previous Code LS906

Technical Parameters

Main Material: S.S 304
 Surface Finish: Satin
 Drilling Size: Φ 14mm(Glass door),
 Φ 10mm(wooden door, framed door),
 Applicable Door Type: Wooden door, glass door, framed door and so on
 Applicable Door Thickness: 10~50mm
 [When the door thickness is more than 50mm, it needs to change the coupling screw.]
 Supporter is the precision casting S.S 304

Specification



Specification

Code	KLS23508
A(mm)	800
B(mm)	600
C(mm)	Φ 32*1.2
D(mm)	72
W(mm)	84

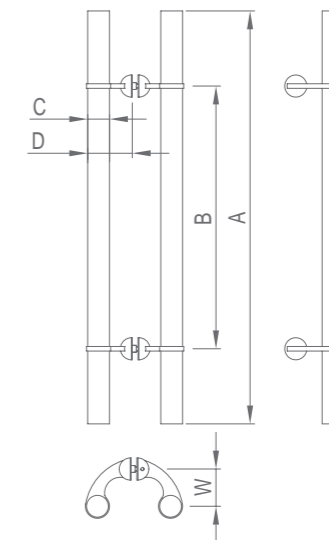


KLS236 Handle

Technical Parameters

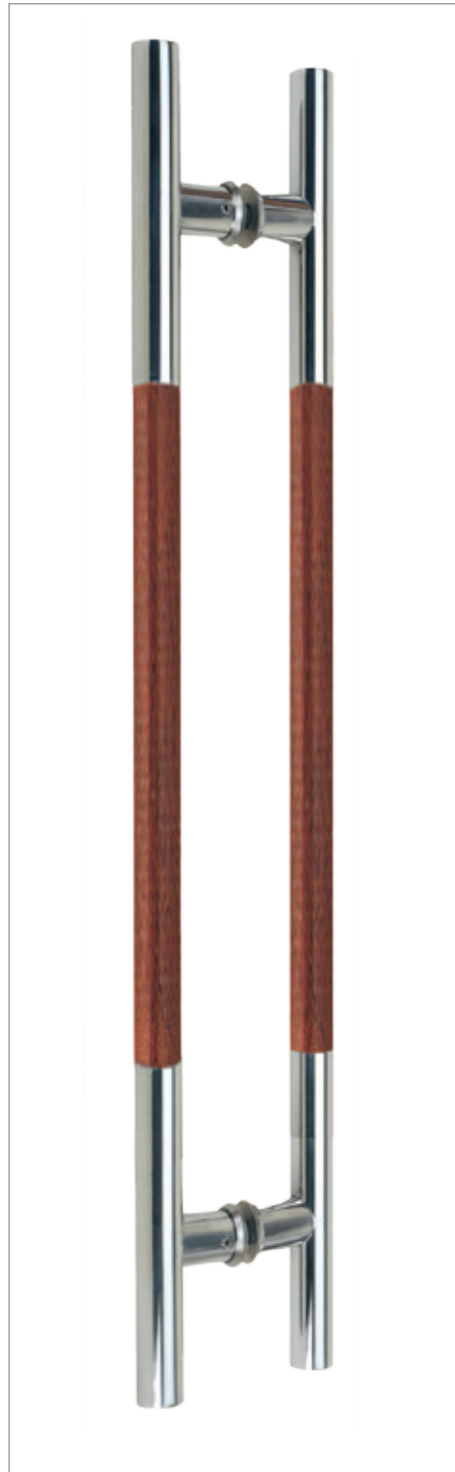
Main Material: S.S 304
 Surface Finish: Mirror (supporter) / Satin
 Drilling Size: Φ 14mm(Glass door),
 Φ 10mm(wooden door, framed door),
 Applicable Door Type: Wooden door, glass door, framed door and so on
 Applicable Door Thickness: 10~50mm
 [When the door thickness is more than 50mm, it needs to change the coupling screw.]
 Supporter is the precision casting S.S 304

Specification



Specification

Code	KLS23612	KLS23615	KLS23618
A(mm)	1200	1500	1800
B(mm)	800	1100	1400
C(mm)	Φ 38*0.8	Φ 38*0.8	Φ 38*0.8
D(mm)	78	78	78
W(mm)	65	65	65



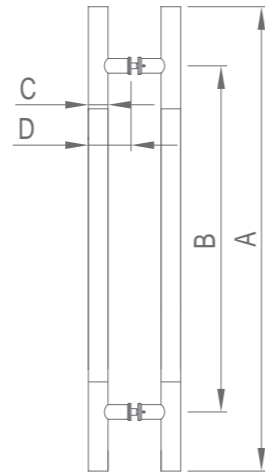
KLS314 Handle

Previous Code LS124F

Technical Parameters

Main Material: S.S 304 / solid wood
 Surface Finish: Satin / Mirror
 Drilling Size: Φ 14mm(Glass door),
 Φ 10mm(wooden door, framed door),
 Applicable Door Type: Wooden door, glass door, framed door and so on
 Applicable Door Thickness: 10~50mm
 [When the door thickness is more than 50mm, it needs to change the coupling screw.]

Specification



Specification

Code	KLS31408	KLS31412	KLS31415
A(mm)	800	1200	1500
B(mm)	600	900	1200
C(mm)	Φ 38*1.2	Φ 38*1.2	Φ 38*1.2
D(mm)	80	80	80



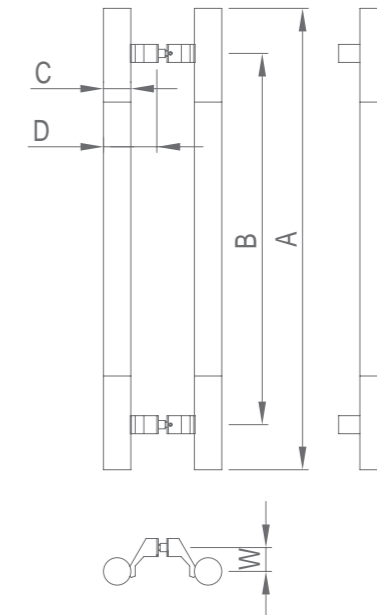
KLS315 Handle

Previous Code LS205

Technical Parameters

Main Material: S.S 304 / solid wood
 Surface Finish: Satin
 Drilling Size: Φ 14mm(Glass door),
 Φ 10mm(wooden door, framed door),
 Applicable Door Type: Wooden door, glass door, framed door and so on
 Applicable Door Thickness: 10~50mm
 [When the door thickness is more than 50mm, it needs to change the coupling screw.]

Specification



Specification

Code	KLS31508	KLS31512	KLS31515
A(mm)	800	1200	1500
B(mm)	675	850	1300
C(mm)	Φ 38*1.2	Φ 38*1.2	Φ 38*1.2
D(mm)	74	74	74
W(mm)	33	33	33



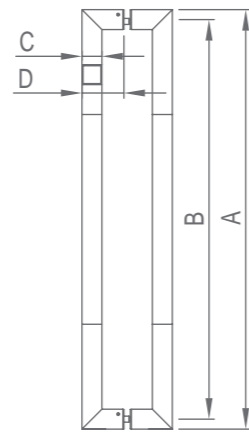
KLS316 Handle

Previous Code LS405

Technical Parameters

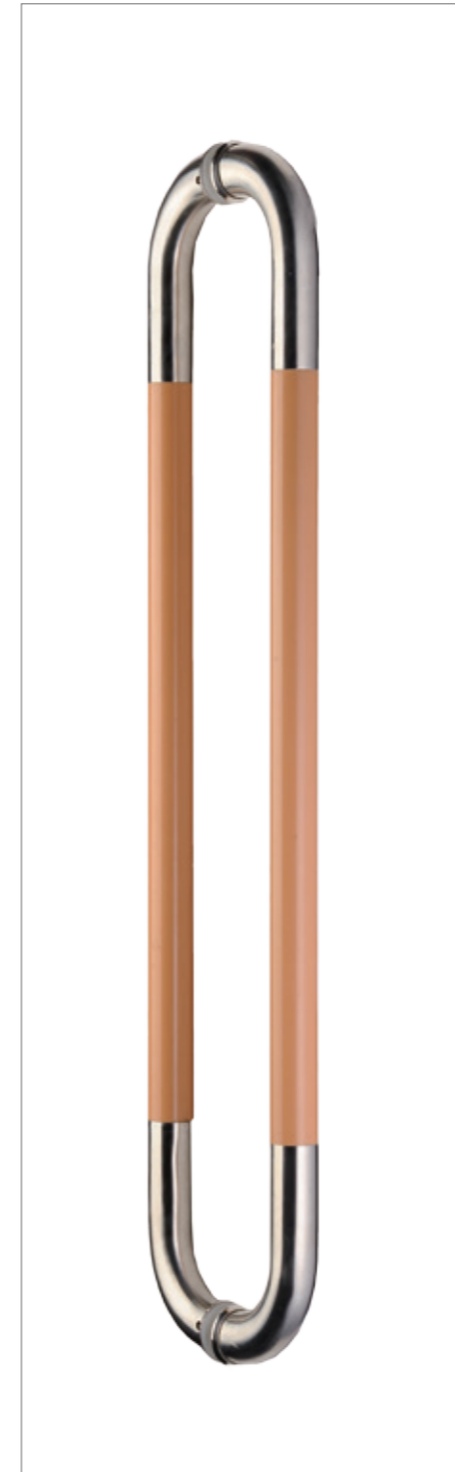
Main Material: S.S 304 / solid wood
 Surface Finish: Satin
 Drilling Size: Φ 14mm(Glass door),
 Φ 10mm(wooden door, framed door),
 Applicable Door Type: Wooden door, glass door, framed door and so on
 Applicable Door Thickness: 10-50mm
 [When the door thickness is more than 50mm, it needs to change the coupling screw.]

Specification



Specification

Code	KLS31608	KLS31612
A(mm)	800	1200
B(mm)	762	1162
C(mm)	38*38*1.2	38*38*1.2
D(mm)	80	80



KLS317 Handle

Previous Code LS433

Technical Parameters

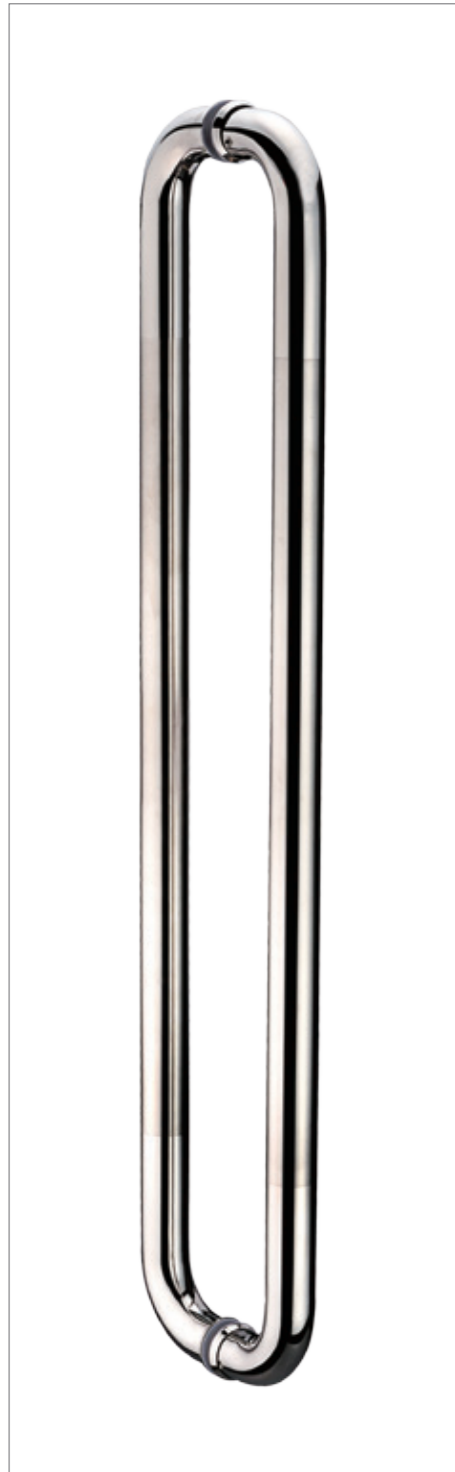
Main Material: S.S 304 / ABS
 Surface Finish: Satin
 Drilling Size: Φ 14mm(Glass door),
 Φ 10mm(wooden door, framed door),
 Applicable Door Type: Wooden door, glass door, framed door and so on
 Applicable Door Thickness: 10-50mm
 [When the door thickness is more than 50mm, it needs to change the coupling screw.]

Specification



Specification

Code	KLS31708	KLS31710	KLS31712
A(mm)	800	1000	1200
B(mm)	768	968	1168
C(mm)	Φ 32*1.2	Φ 32*1.2	Φ 32*1.2
D(mm)	82	82	82

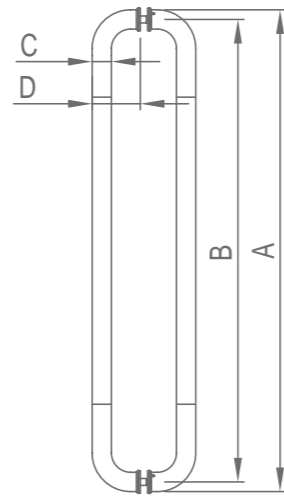


KLS401 Handle

Technical Parameters

Main Material: S.S 304
 Surface Finish: Mirror / Satin
 [Ends are mirror + middle is satin]
 Drilling Size: $\Phi 14$ mm(Glass door),
 $\Phi 10$ mm(wooden door, framed door),
 Applicable Door Type: Wooden door, glass door, framed door and so on
 Applicable Door Thickness: 10~50mm
 [When the door thickness is more than 50mm, it needs to change the coupling screw.]

Specification



Specification

Code	KLS40108	KLS40110	KLS40112	KLS40115	KLS40118	KLS40120
A(mm)	800	1000	1200	1500	1800	2000
B(mm)	768	962	1162	1462	1762	1962
C(mm)	$\Phi 32^{*0.8}$	$\Phi 38^{*0.8}$	$\Phi 38^{*0.8}$	$\Phi 38^{*0.8}$	$\Phi 38^{*1.2}$	$\Phi 38^{*1.2}$
D(mm)	82	97	97	97	97	97

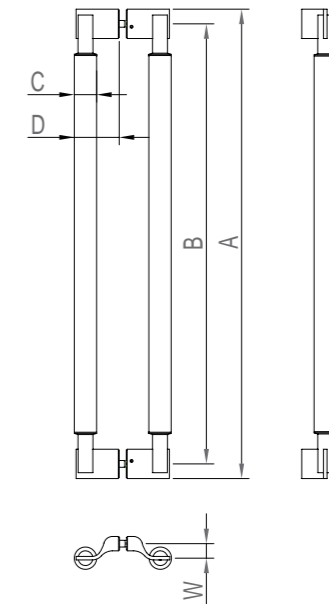


KLS402 Handle

Technical Parameters

Main Material: S.S 304
 Surface Finish: Satin
 Drilling Size: $\Phi 14$ mm(Glass door),
 $\Phi 10$ mm(wooden door, framed door),
 Applicable Door Type: Wooden door, glass door, framed door and so on
 Applicable Door Thickness: 10~50mm
 [When the door thickness is more than 50mm, it needs to change the coupling screw.]
 Supporter is the precision casting S.S 304

Specification



Specification

Code	KLS40208A	KLS40212	KLS40215A	KLS40218A	KLS40220A
A(mm)	800	1200	1500	1800	2000
B(mm)	750	1150	1450	1750	1950
C(mm)	$\Phi 38^{*0.8}$	$\Phi 38^{*0.8}$	$\Phi 38^{*0.8}$	$\Phi 38^{*0.8}$	$\Phi 38^{*1.2}$
D(mm)	75	75	75	75	75
W(mm)	25	25	25	25	25



KLS404 Handle

Previous Code LS404

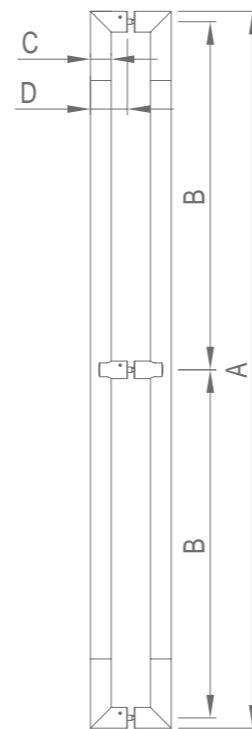
Technical Parameters

Main Material: S.S 304
 Surface Finish: Mirror / Satin
 [Ends are mirror + middle is satin]
 Drilling Size: $\Phi 14\text{mm}$ (Glass door),
 $\Phi 10\text{mm}$ (wooden door, framed door),
 Applicable Door Type: Wooden door, glass door, framed door and so on
 Applicable Door Thickness: 10-50mm
 [When the door thickness is more than 50mm, it needs to change the coupling screw.]

Specification



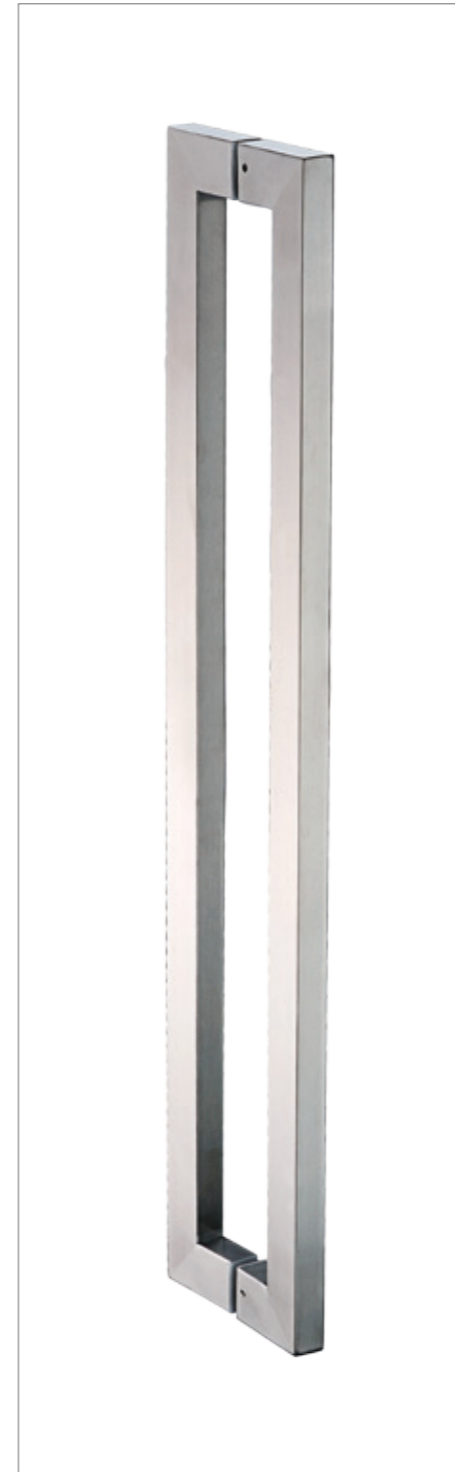
2 point support



3 point support

Specification

Code	KLS40408	KLS40410	KLS40412	KLS40415	KLS40418	KLS40420	KLS40422	KLS40424	KLS40426	KLS40428	KLS40430
A(mm)	800	1000	1200	1500	1800	2000	2200	2400	2600	2800	3000
B(mm)	755	955	1155	1455	1755	1955	2155	2355	1277.5	1377.5	1477.5
C(mm)	45*25*1.2	45*25*1.2	45*25*1.2	45*25*1.2	45*25*1.2	45*25*1.2	45*25*1.5	45*25*1.5	45*25*1.2	45*25*1.2	45*25*1.2
D(mm)	80	80	80	80	80	80	80	80	80	80	80
Supporting point	2 points	2 points	2 points	2 points	2 points	2 points	2 points	2 points	3 points	3 points	3 points

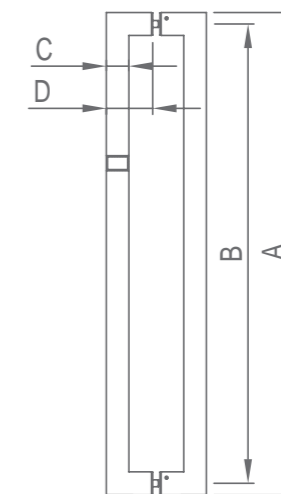


KLS407 Handle

Technical Parameters

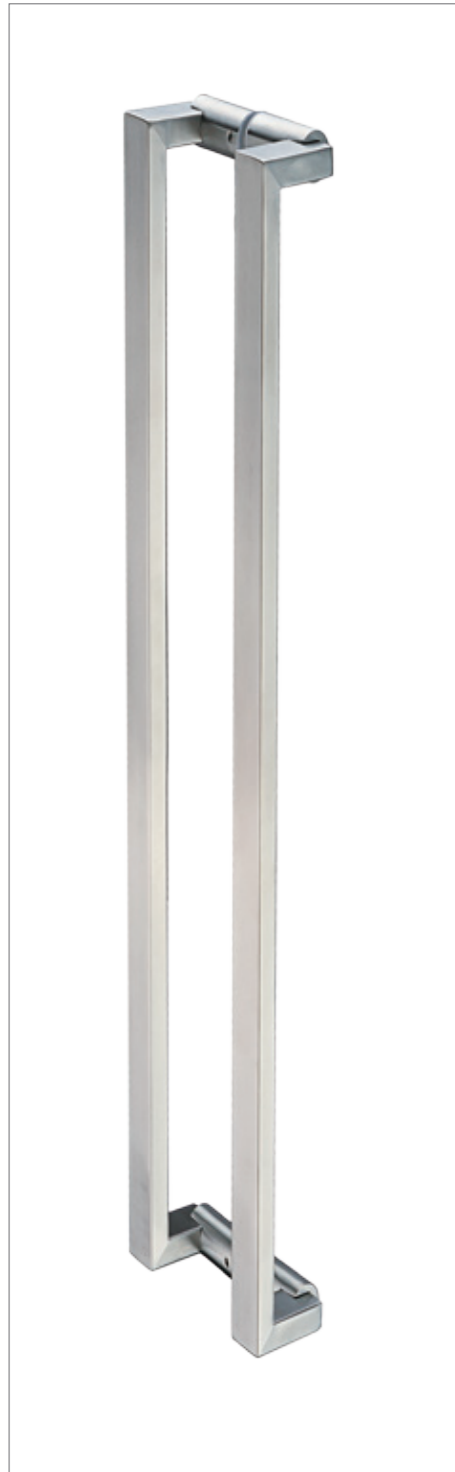
Main Material: S.S 304
 Surface Finish: Satin
 Drilling Size: $\Phi 14\text{mm}$ (Glass door),
 $\Phi 10\text{mm}$ (wooden door, framed door),
 Applicable Door Type: Wooden door, glass door, framed door and so on
 Applicable Door Thickness: 10-50mm
 [When the door thickness is more than 50mm, it needs to change the coupling screw.]

Specification



Specification

Code	KLS40706A	KLS40708	KLS40710	KLS40712	KLS40715	KLS40718	KLS40720	KLS40722	KLS40724	KLS40726	KLS40728	KLS40730
A(mm)	600	800	1000	1200	1500	1800	2000	2200	2400	2600	2800	3000
B(mm)	562	762	962	1162	1462	1762	1950	2150	2350	2550	2750	2950
C(mm)	38*25*0.8	38*25*0.8	38*25*0.8	38*25*0.8	38*25*0.8	38*25*1.2	50*25*1.2	50*25*1.2	50*25*1.5	50*25*1.5	50*25*2.0	50*25*2.0
D(mm)	78	78	78	78	78	78	90	90	90	90	90	90

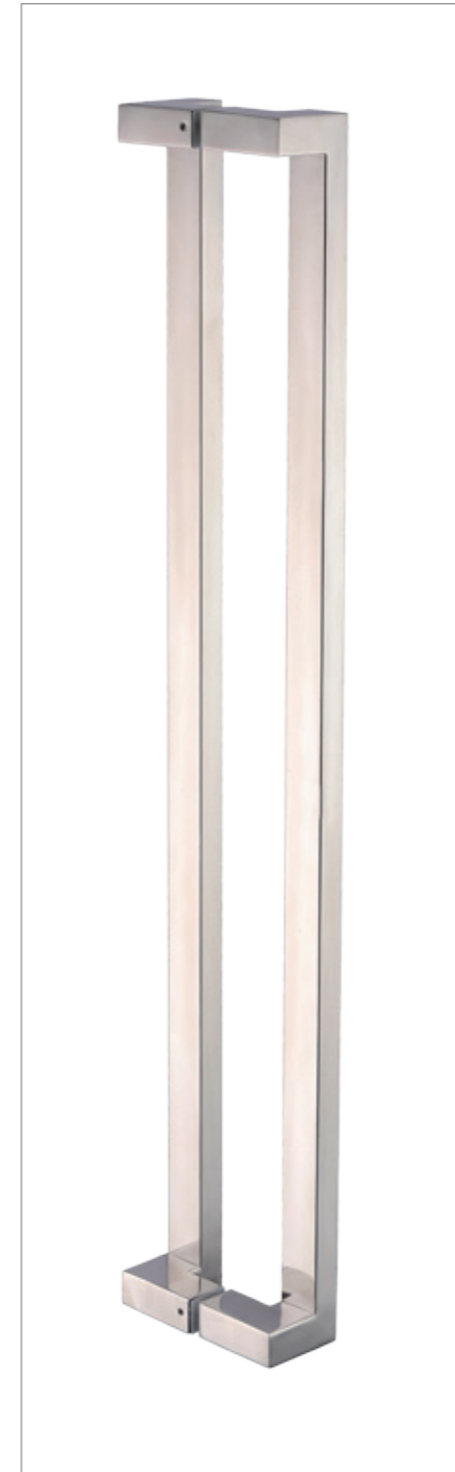
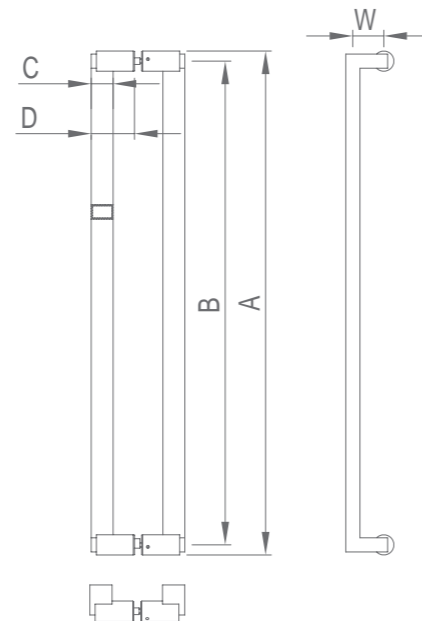


KLS408 Handle

Technical Parameters

Main Material: S.S 304
 Surface Finish: Satin
 Drilling Size: Φ 14mm(Glass door),
 Φ 10mm(wooden door, framed door),
 Applicable Door Type: Wooden door, glass door, framed door and so on
 Applicable Door Thickness: 10-50mm
 [When the door thickness is more than 50mm, it needs to change the coupling screw.]

Specification

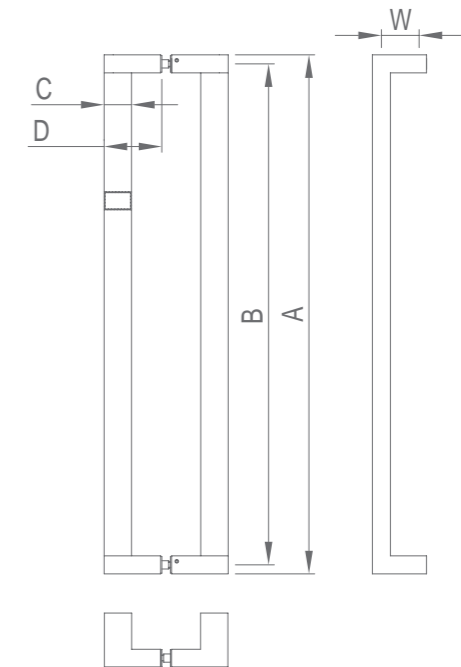


KLS409 Handle

Technical Parameters

Main Material: S.S 304
 Surface Finish: Satin
 Drilling Size: Φ 14mm(Glass door),
 Φ 10mm(wooden door, framed door),
 Applicable Door Type: Wooden door, glass door, framed door and so on
 Applicable Door Thickness: 10-50mm
 [When the door thickness is more than 50mm, it needs to change the coupling screw.]

Specification



Specification

Code	KLS40808	KLS40810	KLS40812	KLS40815	KLS40818	KLS40820	KLS40822	KLS40824	KLS40826	KLS40828	KLS40830
A(mm)	800	1000	1200	1500	1800	2000	2200	2400	2600	2800	3000
B(mm)	765	965	1165	1465	1765	1965	2165	2365	2565	2765	2965
C(mm)	38*25*0.8	38*25*0.8	38*25*0.8	38*25*0.8	38*25*1.2	38*25*1.2	50*25*1.2	50*25*1.5	50*25*1.5	50*25*2.0	50*25*2.0
D(mm)	78	78	78	78	78	78	90	90	90	90	90
W(mm)	45	45	45	45	45	45	45	45	45	45	45

Specification

Code	KLS40908	KLS40910	KLS40912	KLS40915	KLS40918	KLS40920	KLS40922	KLS40924	KLS40926	KLS40928	KLS40930
A(mm)	800	1000	1200	1500	1800	2000	2200	2400	2600	2800	3000
B(mm)	775	975	1175	1475	1775	1975	2175	2375	2575	2775	2975
C(mm)	38*25*0.8	38*25*0.8	38*25*0.8	38*25*0.8	38*25*1.2	38*25*1.2	50*25*1.2	50*25*1.5	50*25*1.5	50*25*2.0	50*25*2.0
D(mm)	78	78	78	78	78	78	90	90	90	90	90
W(mm)	43.5	43.5	43.5	43.5	43.5	43.5	47.5	47.5	47.5	47.5	47.5

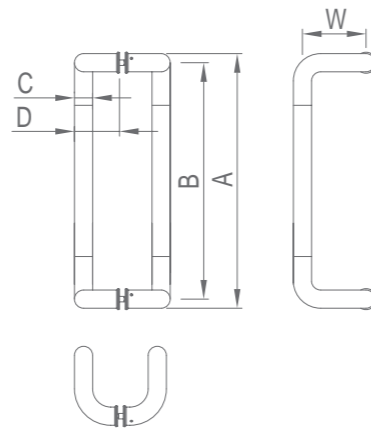


KLS413 Handle

Technical Parameters

Main Material: S.S 304
 Surface Finish: Mirror / Satin
 [Ends are mirror + middle is satin]
 Drilling Size: $\Phi 14\text{mm}$ (Glass door),
 $\Phi 10\text{mm}$ (wooden door, framed door),
 Applicable Door Type: Wooden door, glass door, framed door and so on
 Applicable Door Thickness: 10~50mm
 [When the door thickness is more than 50mm, it needs to change the coupling screw.]

Specification



Specification

Code	KLS41308	KLS41310	KLS41312
A(mm)	800	1000	1200
B(mm)	762	962	1162
C(mm)	$\Phi 38*1.2$	$\Phi 38*1.2$	$\Phi 38*1.2$
D(mm)	90	90	90
W(mm)	122	122	122

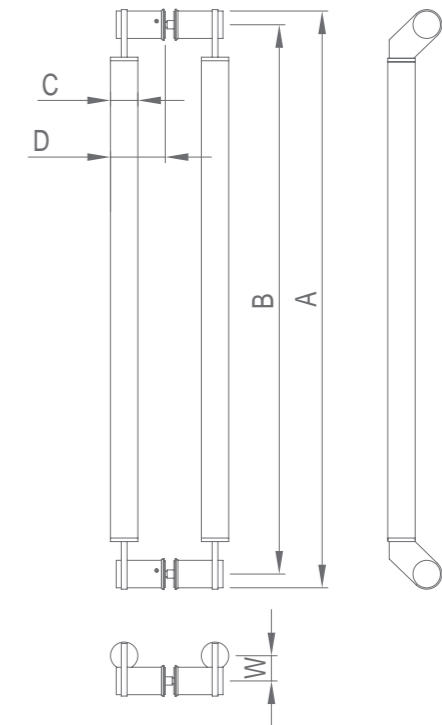


KLS415 Handle

Technical Parameters

Main Material: S.S 304
 Surface Finish: Mirror / Satin
 [Ends are mirror + middle is satin]
 Drilling Size: $\Phi 14\text{mm}$ (Glass door),
 $\Phi 10\text{mm}$ (wooden door, framed door),
 Applicable Door Type: Wooden door, glass door, framed door and so on
 Applicable Door Thickness: 10~50mm
 [When the door thickness is more than 50mm, it needs to change the coupling screw.]
 Supporter is the precision casting S.S 304

Specification



Specification

Code	KLS41508	KLS41512	KLS41515	KLS41518	KLS41520
A(mm)	800	1200	1500	1800	2000
B(mm)	762	1162	1462	1762	1962
C(mm)	$\Phi 38*0.8$	$\Phi 38*0.8$	$\Phi 38*0.8$	$\Phi 38*1.2$	$\Phi 38*1.2$
D(mm)	75	75	75	75	75
W(mm)	35	35	35	35	35

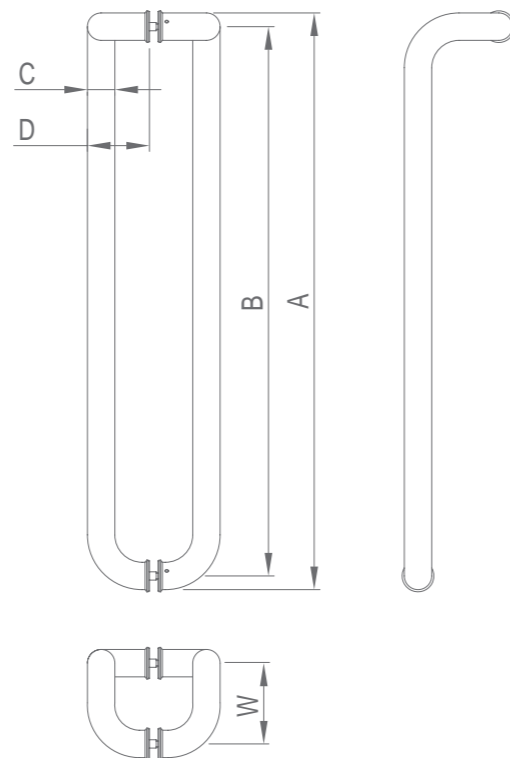


KLS422L/R Handle

Technical Parameters

Main Material: S.S 304
 Surface Finish: Satin
 Drilling Size: $\Phi 14\text{mm}$ (Glass door),
 $\Phi 10\text{mm}$ (wooden door, framed door),
 Applicable Door Type: Wooden door, glass door, framed door and so on
 Applicable Door Thickness: 10-50mm
 [When the door thickness is more than 50mm, it needs to change the coupling screw.]

Specification



Specification

Code	KLS42212L/R	KLS42215L/R	KLS42218L/R
A(mm)	1200	1500	1800
B(mm)	1162	1462	1762
C(mm)	$\Phi 38*1.2$	$\Phi 38*1.2$	$\Phi 38*1.2$
D(mm)	90	90	90
W(mm)	117	117	117

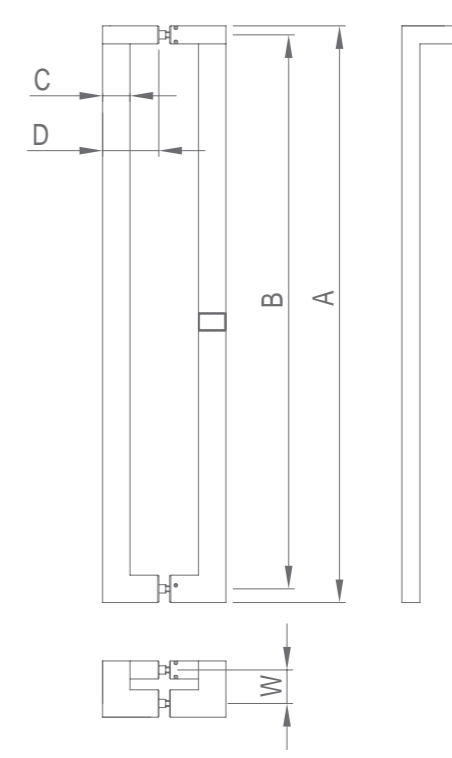


KLS423L/R Handle

Technical Parameters

Main Material: S.S 304
 Surface Finish: Satin
 Drilling Size: $\Phi 14\text{mm}$ (Glass door),
 $\Phi 10\text{mm}$ (wooden door, framed door),
 Applicable Door Type: Wooden door, glass door, framed door and so on
 Applicable Door Thickness: 10-50mm
 [When the door thickness is more than 50mm, it needs to change the coupling screw.]

Specification



Specification

Code	KLS42312L/R	KLS42315L/R	KLS42318L/R
A(mm)	1200	1500	1800
B(mm)	1168.5	1468.5	1768.5
C(mm)	$38*25*0.8$	$38*25*0.8$	$38*25*1.2$
D(mm)	78	78	78
W(mm)	43.5	43.5	43.5

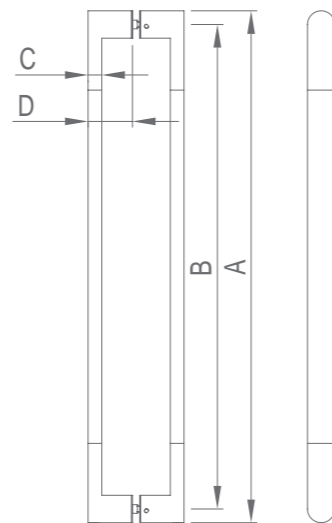


KLS442 Handle

Technical Parameters

Main Material: S.S 304
 Surface Finish: Mirror / Satin
 Drilling Size: $\Phi 14\text{mm}$ (Glass door),
 $\Phi 10\text{mm}$ (wooden door, framed door),
 Applicable Door Type: Wooden door, glass door, framed door and so on
 Applicable Door Thickness: 10~50mm
 [When the door thickness is more than 50mm, it needs to change the coupling screw.]

Specification



Specification

Code	KLS44208	KLS44210	KLS44212
A(mm)	800	1000	1200
B(mm)	762	962	1162
C(mm)	19*38*1.2	19*38*1.2	19*38*1.2
D(mm)	62	62	62

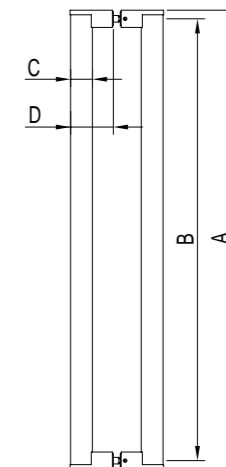


KLS445 Handle (New)

Technical Parameters

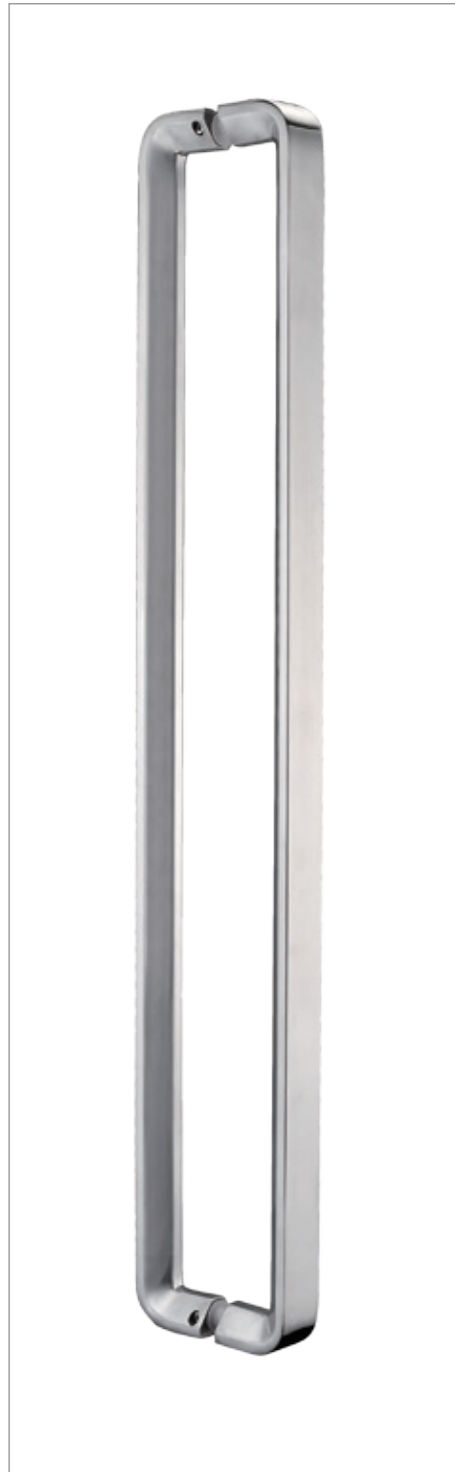
Main Material: S.S 304
 Surface Finish: Mirror / black
 Drilling Size: $\Phi 14\text{mm}$ (Glass door),
 $\Phi 10\text{mm}$ (wooden door, framed door),
 Applicable Door Type: Wooden door, glass door, framed door and so on
 Applicable Door Thickness: 10~50mm
 [When the door thickness is more than 50mm, it needs to change the coupling screw.]

Specification



Specification

Code	KLS44508	KLS44510	KLS44512	KLS44515
A(mm)	800	1000	1200	1500
B(mm)	770	970	1170	1470
C(mm)	$\Phi 38 \times 0.8$	$\Phi 38 \times 0.8$	$\Phi 38 \times 0.8$	$\Phi 38 \times 0.8$
D(mm)	75	75	75	75



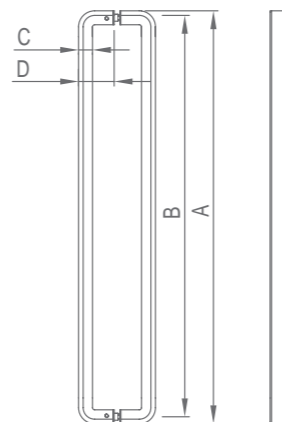
KLS447 Handle

Previous Code LS447

Technical Parameters

Main Material: S.S 304
 Surface Finish: Satin
 Drilling Size: Φ 14mm(Glass door),
 Φ 10mm(wooden door, framed door),
 Applicable Door Type: Wooden door, glass door, framed door and so on
 Applicable Door Thickness: 10~50mm
 [When the door thickness is more than 50mm, it needs to change the coupling screw.]
 Supporter is the precision casting S.S 304

Specification



Specification

Code	KLS44708	KLS44710	KLS44712
A(mm)	800	1000	1200
B(mm)	776	976	1176
C(mm)	24*36*1.2	24*36*1.2	24*36*1.2
D(mm)	62	62	62



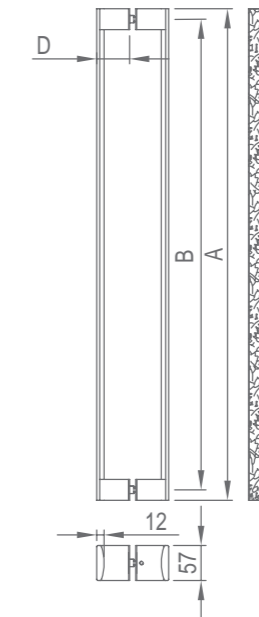
KLS449 Handle

Previous Code LS449

Technical Parameters

Main Material: S.S 304
 Surface Finish: Mirror
 Drilling Size: Φ 14mm(Glass door),
 Φ 10mm(wooden door, framed door),
 Applicable Door Type: Wooden door, glass door, framed door and so on
 Applicable Door Thickness: 10~50mm
 [When the door thickness is more than 50mm, it needs to change the coupling screw.]

Specification



Specification

Code	KLS44908
A(mm)	800
B(mm)	766
C(mm)	12*57*1.2
D(mm)	54

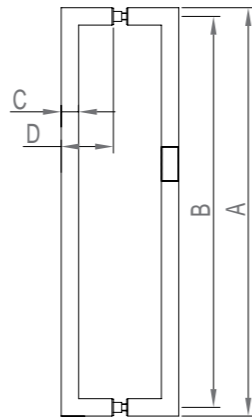


KLS454 Handle

Technical Parameters

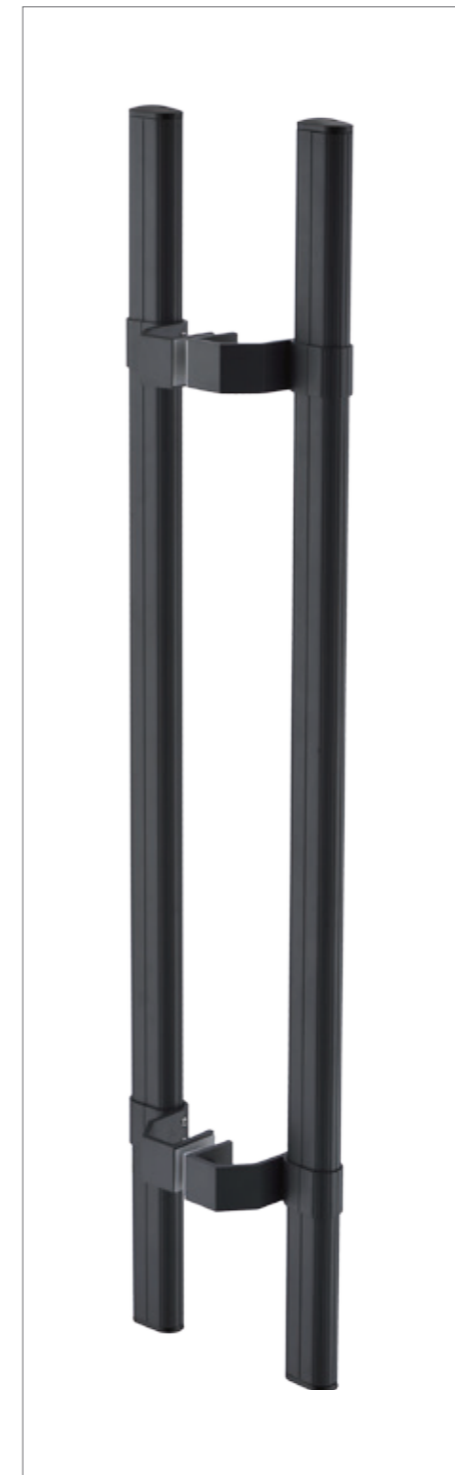
Main Material: S.S 304
 Surface Finish: Satin
 Drilling Size: $\Phi 14\text{mm}$ (Glass door),
 $\Phi 10\text{mm}$ (wooden door, framed door),
 Applicable Door Type: Wooden door, glass door, framed door and so on
 Applicable Door Thickness: 10~50mm
 [When the door thickness is more than 50mm, it needs to change the coupling screw.]

Specification



Specification

Code	KLS45408	KLS45410	KLS45412	KLS45415
A(mm)	800	1000	1200	1500
B(mm)	780	980	1180	1480
C(mm)	20*40*0.8	20*40*0.8	20*40*0.8	20*40*0.8
D(mm)	60	60	60	60



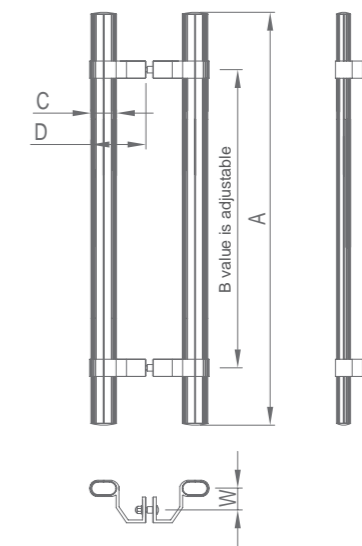
KLS501 Handle

Previous Code LS228B

Technical Parameters

Main Material: Aluminum alloy
 Surface Finish: Dark gray(SW2035), coffee(SW9331),
 black(AD3000-4383236)
 Drilling Size: $\Phi 15\text{mm}$
 Applicable Door Type: glass door, framed door and so on
 Applicable Door Thickness: 10~50mm
 [When the door thickness is more than 50mm, it needs to change the coupling screw.]

Specification



Note: Center distance B is adjustable in the range of total length A

Specification

Code	KLS50108	KLS50110	KLS50112	KLS50115	KLS50118	KLS50120	KLS50122	KLS50124
A(mm)	800	1000	1200	1500	1800	2000	2200	2400
C(mm)	45*25*1.2	45*25*1.2	45*25*1.2	45*25*1.2	45*25*2.0	45*25*2.0	45*25*2.0	45*25*2.0
D(mm)	96	96	96	96	96	96	96	96
W(mm)	38	38	38	38	38	38	38	38



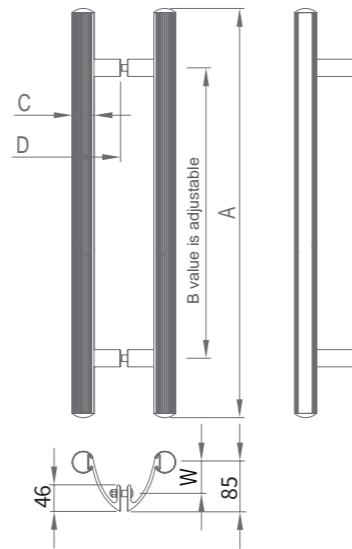
KLS502 Handle

Previous Code LS229A

Technical Parameters

Main Material: Aluminum alloy
 Surface Finish: Dark gray(SW2035), coffee(SW9331),
 black(AD3000-4383236)
 Drilling Size: $\Phi 15\text{mm}$
 Applicable Door Type: glass door, framed door and so on
 Applicable Door Thickness: 10~50mm
 [When the door thickness is more than 50mm, it needs to change the coupling screw.]

Specification



Note: Center distance B is adjustable in the range of total length A

Specification

Code	KLS50208	KLS50210	KLS50212	KLS50215	KLS50218	KLS50220	KLS50222	KLS50224
A(mm)	800	1000	1200	1500	1800	2000	2200	2400
C(mm)	$\Phi 38^*1.2$	$\Phi 38^*1.2$	$\Phi 38^*1.2$	$\Phi 38^*1.2$	$\Phi 38^*2.0$	$\Phi 38^*2.0$	$\Phi 38^*2.0$	$\Phi 38^*2.0$
D(mm)	94	94	94	94	94	94	94	94
W(mm)	54	54	54	54	54	54	54	54



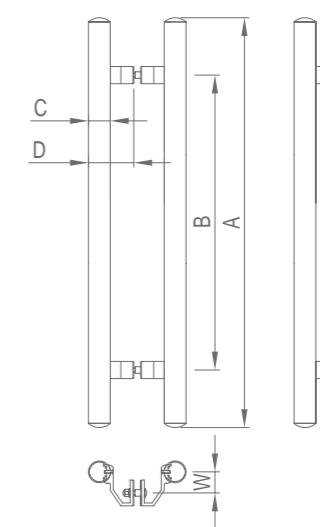
KLS503 Handle

Previous Code LS231

Technical Parameters

Main Material: Aluminum alloy
 Surface Finish: Dark gray(SW2035), coffee(SW9331),
 black(AD3000-4383236)
 Drilling Size: $\Phi 15\text{mm}$
 Applicable Door Type: glass door, framed door and so on
 Applicable Door Thickness: 10~50mm
 [When the door thickness is more than 50mm, it needs to change the coupling screw.]

Specification



Specification

Code	KLS50312	KLS50315	KLS50318	KLS50320
A(mm)	1200	1500	1800	2000
B(mm)	1000	1300	1600	1800
C(mm)	$\Phi 38^*2.0$	$\Phi 38^*2.0$	$\Phi 38^*2.0$	$\Phi 38^*2.0$
D(mm)	80	80	80	80
W(mm)	38	38	38	38

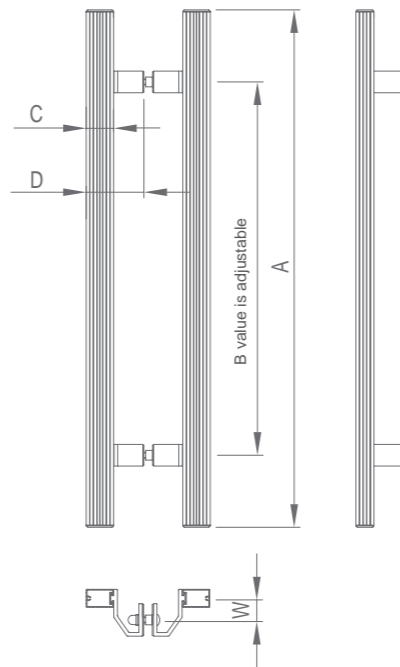


KLS511 Handle

Technical Parameters

Main Material: Aluminum alloy
 Surface Finish: Dark gray(SW2035), coffee(SW9331),
 black(AD3000-4383236)
 Drilling Size: $\Phi 15\text{mm}$
 Applicable Door Type: glass door, framed door and so on
 Applicable Door Thickness: 10~50mm
 [When the door thickness is more than 50mm, it needs to change the coupling screw.]

Specification



Note: Center distance B can be adjusted arbitrarily within the range of total length A

Specification

Code	KLS51108	KLS51110	KLS51112	KLS51115	KLS51118	KLS51120	KLS51122	KLS51124
A(mm)	800	1000	1200	1500	1800	2000	2200	2400
C(mm)	38*25*1.2	38*25*1.2	38*25*1.2	38*25*1.2	38*25*2.0	38*25*2.0	38*25*2.0	38*25*2.0
D(mm)	80	80	80	80	80	80	80	80
W(mm)	30	30	30	30	30	30	30	30

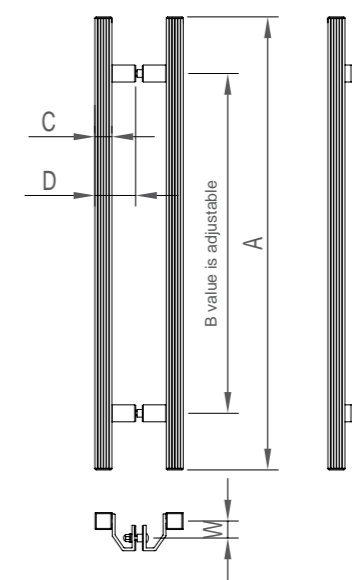


KLS515 Handle

Technical Parameters

Main Material: Aluminum alloy
 Surface Finish: Dark gray(SW2035), coffee(SW9331),
 black(AD3000-4383236)
 Drilling Size: $\Phi 15\text{mm}$
 Applicable Door Type: glass door, framed door and so on
 Applicable Door Thickness: 10~50mm
 [When the door thickness is more than 50mm, it needs to change the coupling screw.]

Specification



Note: Center distance B can be adjusted arbitrarily within the range of total length A

Specification

Code	KLS51508	KLS51510	KLS51512	KLS51515
A(mm)	800	1000	1200	1500
C(mm)	30*30*2.0	30*30*2.0	30*30*2.0	30*30*2.0
D(mm)	72	72	72	72
W(mm)	30	30	30	30



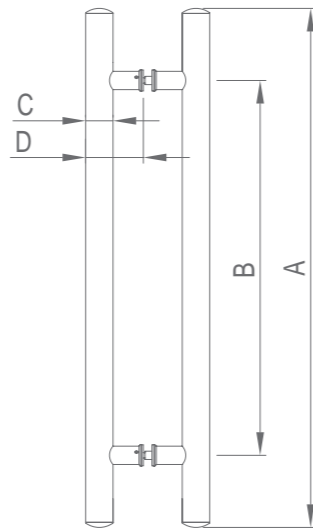
KLS550 Handle

Previous Code LS231A

Technical Parameters

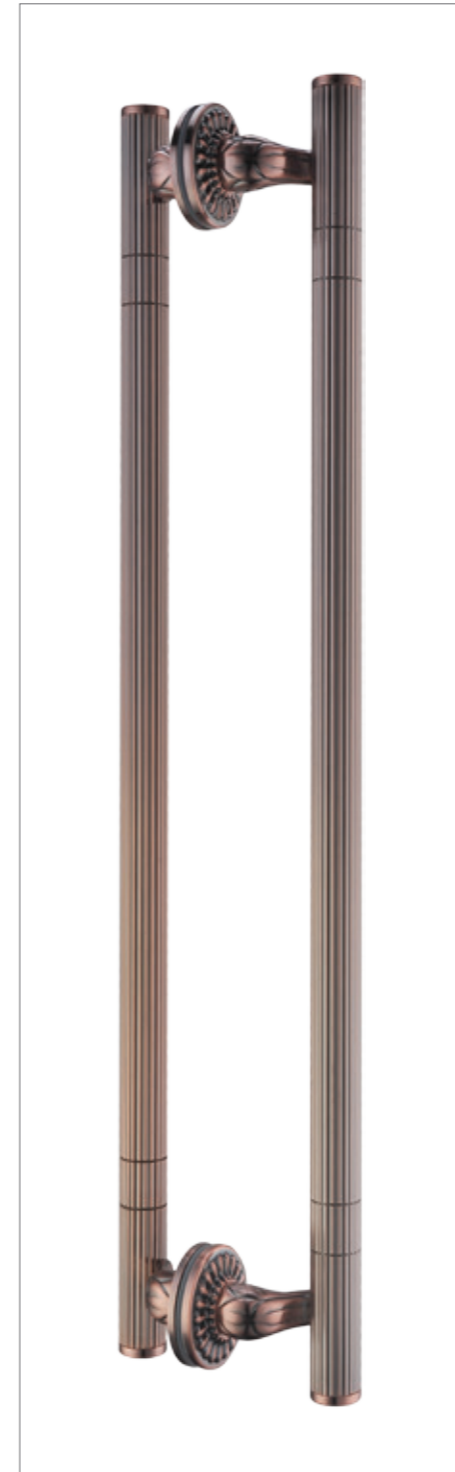
Main Material: Aluminum alloy / Stainless steel
 Surface Finish: Black + Mirror(supporter), coffee + mirror(Supporter)
 Drilling Size: $\Phi 14\text{mm}$ (glass door)
 $\Phi 10\text{mm}$ (wooden door, framed door)
 Applicable Door Type: glass door, framed door and so on
 Applicable Door Thickness: 10~50mm
 [When the door thickness is more than 50mm, it needs to change the coupling screw.]

Specification



Specification

Code	KLS55012	KLS55015	KLS55018	KLS55020
A(mm)	1200	1500	1800	2000
B(mm)	1000	1300	1600	1800
C(mm)	$\Phi 38 \times 2.0$	$\Phi 38 \times 2.0$	$\Phi 38 \times 2.0$	$\Phi 38 \times 2.0$
D(mm)	80	80	80	80



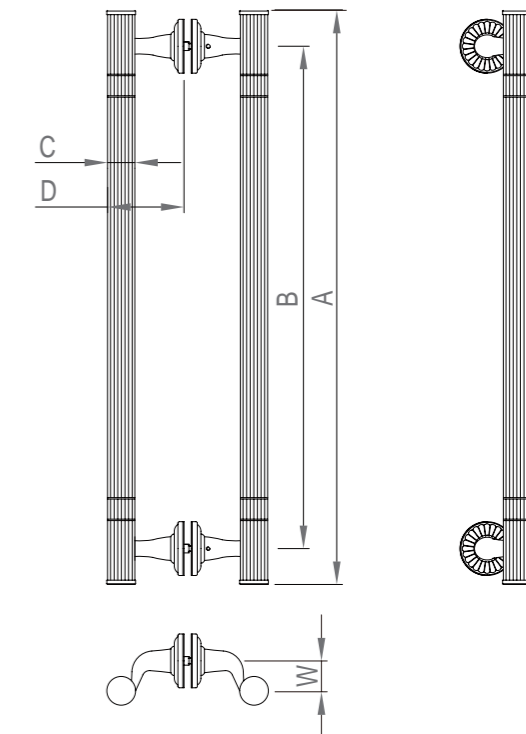
KLS873 Handle

Previous Code LS873

Technical Parameters

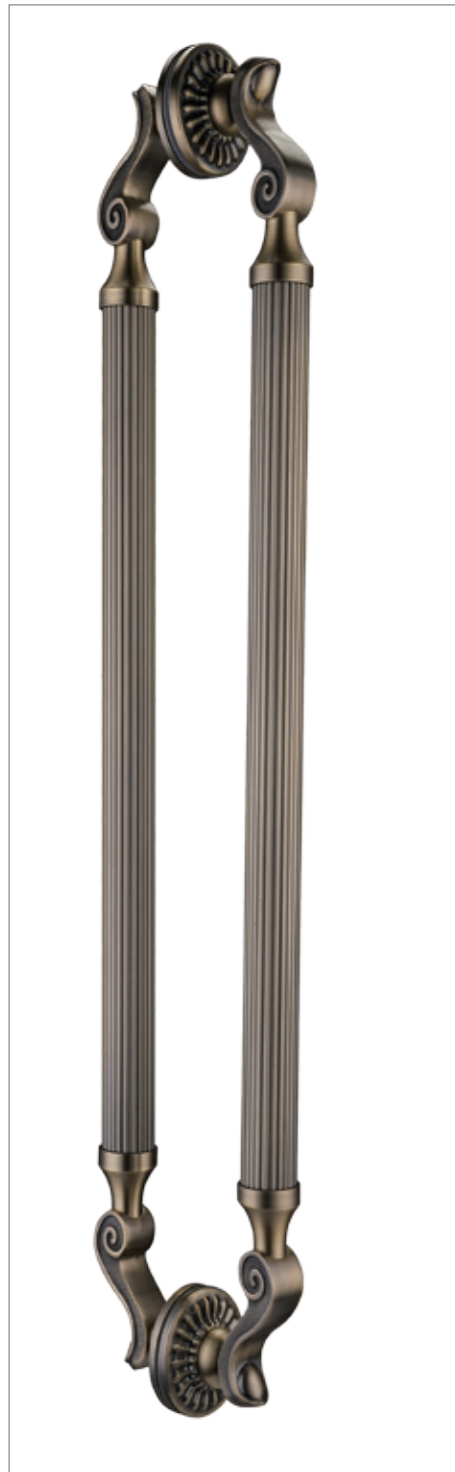
Main Material: S.S 304
 Surface Finish: Red bronze
 Drilling Size: $\Phi 14\text{mm}$ (glass door)
 $\Phi 10\text{mm}$ (wooden door, framed door)
 Applicable Door Type: wooden door, glass door, framed door and so on
 Applicable Door Thickness: 10~50mm
 [When the door thickness is more than 50mm, it needs to change the coupling screw.]

Specification



Specification

Code	KLS87312	KLS87315
A(mm)	1200	1500
B(mm)	1000	1300
C(mm)	$\Phi 38 \times 1.2$	$\Phi 38 \times 1.2$
D(mm)	104	104
W(mm)	42	42



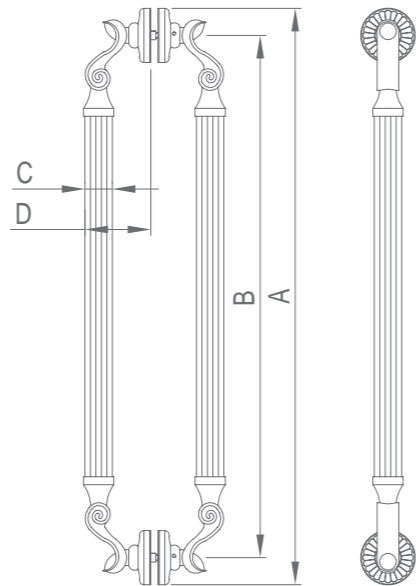
KLS874 Handle

Previous Code LS874

Technical Parameters

Main Material: S.S 304 / copper
 Surface Finish: Green bronze
 Drilling Size: Φ 14mm(glass door)
 Φ 10mm(wooden door, framed door)
 Applicable Door Type: wooden door, glass door, framed door and so on
 Applicable Door Thickness: 10~50mm
 [When the door thickness is more than 50mm, it needs to change the coupling screw.]

Specification



Specification

Code	KLS87412	KLS87415
A(mm)	1200	1500
B(mm)	1127	1427
C(mm)	Φ 38*1.2	Φ 38*1.2
D(mm)	90	90

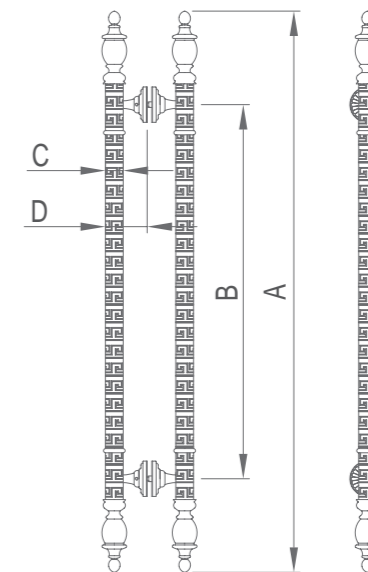


KLS877 Handle

Technical Parameters

Main Material: S.S 304 / Aluminum-Alloy
 Surface Finish: Red bronze
 Drilling Size: Φ 14mm(glass door)
 Φ 10mm(wooden door, framed door)
 Applicable Door Type: wooden door, glass door, framed door and so on
 Applicable Door Thickness: 10~50mm
 [When the door thickness is more than 50mm, it needs to change the coupling screw.]

Specification



Specification

Code	KLS87712	KLS87715
A(mm)	1200	1500
B(mm)	800	1100
C(mm)	Φ 38*1.0	Φ 38*1.0
D(mm)	95	95

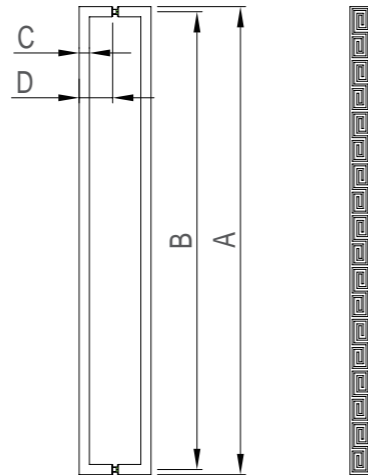


KLS878 Handle

Technical Parameters

Main Material: S.S 304
 Surface Finish: Titanium
 Drilling Size: $\Phi 14\text{mm}$ (glass door)
 $\Phi 10\text{mm}$ (wooden door, framed door)
 Applicable Door Type: wooden door, glass door, framed door and so on
 Applicable Door Thickness: 10~50mm
 [When the door thickness is more than 50mm, it needs to change the coupling screw.]

Specification



Specification

Code	KLS87812	KLS87818
A(mm)	1200	1800
B(mm)	1175	1775
C(mm)	25*50*1.2	25*50*1.2
D(mm)	70	70

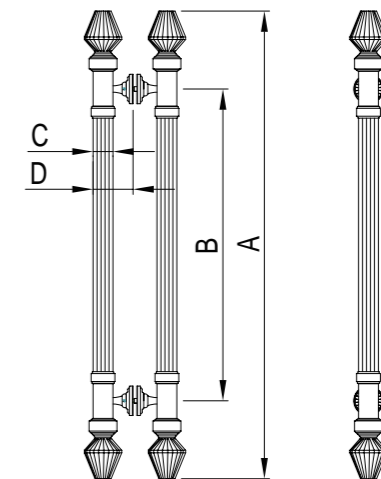


KLS879 Handle

Technical Parameters

Main Material: S.S 304 / Aluminum-Alloy
 Surface Finish: Red bronze
 Drilling Size: $\Phi 14\text{mm}$ (glass door)
 $\Phi 10\text{mm}$ (wooden door, framed door)
 Applicable Door Type: wooden door, glass door, framed door and so on
 Applicable Door Thickness: 10~50mm
 [When the door thickness is more than 50mm, it needs to change the coupling screw.]

Specification



Specification

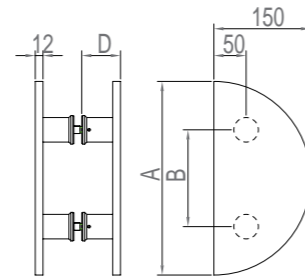
Code	KLS87918	KLS87924
A(mm)	1800	2400
B(mm)	1400	2000
C(mm)	$\Phi 51*1.0$	$\Phi 51*1.0$
D(mm)	110	110

KLS880 Handle

Technical Parameters

Main Material: Aluminum alloy
 Surface Finish: Red bronze
 Drilling Size: $\Phi 14\text{mm}$ (glass door)
 $\Phi 10\text{mm}$ (wooden door, framed door)
 Applicable Door Type: wooden door, glass door, framed door and so on
 Applicable Door Thickness: 10~50mm
 [When the door thickness is more than 50mm, it needs to change the coupling screw.]

Specification



Door Handle

Specification

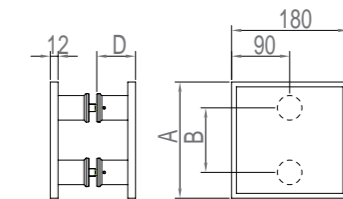
Code	KLS88003
A(mm)	300
B(mm)	150
C(mm)	—
D(mm)	60

KLS881 Handle

Technical Parameters

Main Material: Aluminum alloy
 Surface Finish: Green bronze
 Drilling Size: $\Phi 14\text{mm}$ (glass door)
 $\Phi 10\text{mm}$ (wooden door, framed door)
 Applicable Door Type: wooden door, glass door, framed door and so on
 Applicable Door Thickness: 10~50mm
 [When the door thickness is more than 50mm, it needs to change the coupling screw.]

Specification



Door Handle

Specification

Code	KLS88102
A(mm)	180
B(mm)	100
C(mm)	—
D(mm)	60

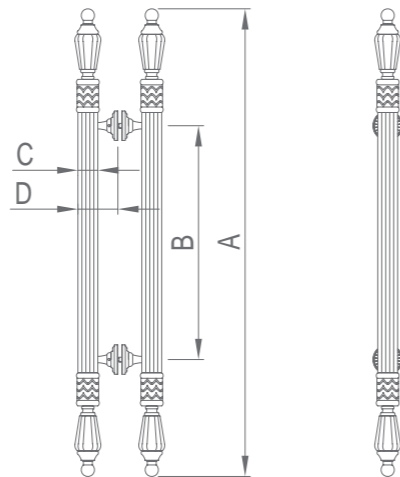


KLS882 Handle

Technical Parameters

Main Material: S.S 304 / Aluminum alloy
 Surface Finish: Green bronze
 Drilling Size: $\Phi 14\text{mm}$ (glass door)
 $\Phi 10\text{mm}$ (wooden door, framed door)
 Applicable Door Type: wooden door, glass door, framed door and so on
 Applicable Door Thickness: 10~50mm
 [When the door thickness is more than 50mm, it needs to change the coupling screw.]

Specification



Specification

Code	KLS88212	KLS88218	KLS88224
A(mm)	1200	1800	2400
B(mm)	600	1200	1800
C(mm)	$\Phi 51 \times 1.0$	$\Phi 51 \times 1.0$	$\Phi 51 \times 1.0$
D(mm)	110	110	110

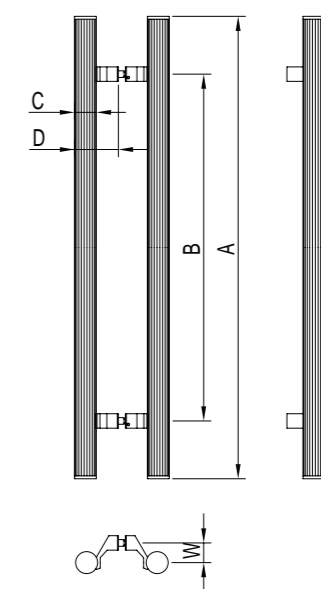


KLS883 Handle (New)

Technical Parameters

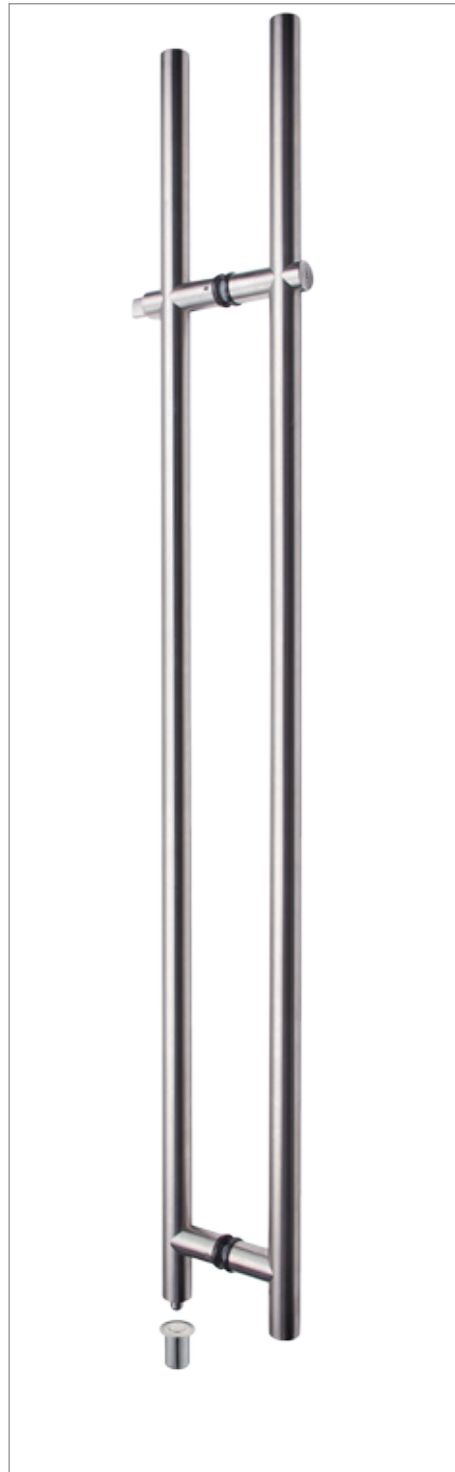
Main Material: S.S 304
 Surface Finish: Green bronze
 Drilling Size: $\Phi 14\text{mm}$ (glass door)
 $\Phi 10\text{mm}$ (wooden door, framed door)
 Applicable Door Type: wooden door, glass door, framed door and so on
 Applicable Door Thickness: 10~50mm
 [When the door thickness is more than 50mm, it needs to change the coupling screw.]

Specification



Specification

Code	KLS88308	KLS88310	KLS88312	KLS88315	KLS88318
A(mm)	800	1000	1200	1500	1800
B(mm)	600	800	1000	1300	1500
C(mm)	$\Phi 38 \times 0.8$	$\Phi 38 \times 0.8$	$\Phi 38 \times 0.8$	$\Phi 38 \times 0.8$	$\Phi 38 \times 0.8$
D(mm)	76	76	76	76	76
W(mm)	33	33	33	33	33

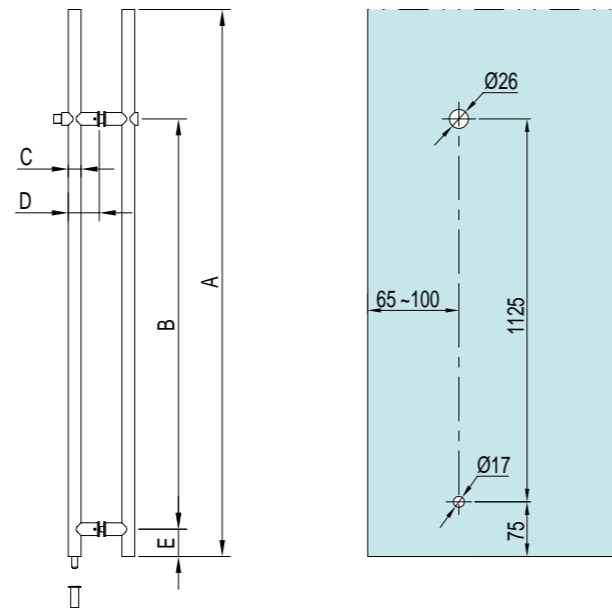


KLS911 Handle with lock (New)

Technical Parameters

Main Material: S.S 304
 Surface Finish: Satin
 Drilling Size: $\Phi 26\text{mm}$ (upper end), $\Phi 17\text{mm}$ (lower end)
 Applicable Door Type: glass door
 Applicable Door Thickness: 10~20mm
 It uses the rotary knob to lock and open inside and uses key to lock and open outside.
 When using it inside room, you should press the rotary knob at first before turning the rotary knob.

Specification

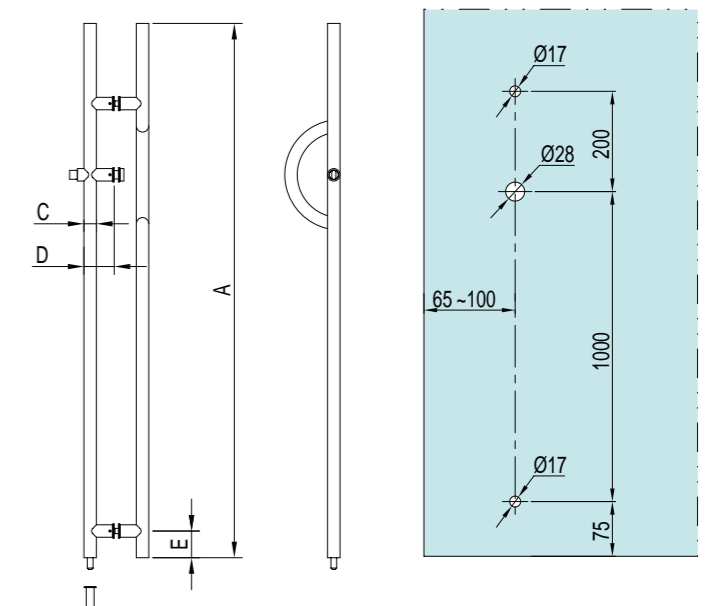


KLS912L/R Handle with lock (New)

Technical Parameters

Main Material: S.S 304
 Surface Finish: Satin
 Drilling Size: $\Phi 17\text{mm}$ (upper end), $\Phi 28\text{mm}$ (mid end), $\Phi 17\text{mm}$ (lower end)
 Applicable Door Type: glass door
 Applicable Door Thickness: 10~20mm
 It uses the rotary knob to lock and open inside and uses key to lock and open outside.
 When using it inside room, you should press the rotary knob at first before turning the rotary knob.

Specification



Specification

Code	KLS91115
A(mm)	1500
B(mm)	1125
C(mm)	$\Phi 35 \times 1.0$
D(mm)	83
E(mm)	75

Specification

Code	KLS91215L/R
A(mm)	1500
B(mm)	\
C(mm)	$\Phi 35 \times 1.0$
D(mm)	83
E(mm)	75

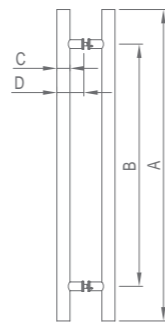


KLS102 Handle

Technical Parameters

Main Material: S.S 304
 Surface Finish: Mirror / Satin
 Drilling Size: $\Phi 14\text{mm}$ (Glass door),
 $\Phi 10\text{mm}$ (wooden door, framed door),
 Applicable Door Type: Wooden door, glass door, framed door and so on
 Applicable Door Thickness: 10-50mm
 [When the door thickness is more than 50mm, it needs to change the coupling screw.]

Specification



Specification

Code	KLS10203	KLS10204	KLS10205
A(mm)	350	455	500
B(mm)	250	305	350
C(mm)	$\Phi 25^*0.8$	$\Phi 25^*0.8$	$\Phi 25^*0.8$
D(mm)	65	65	65

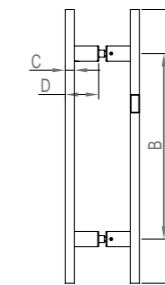


KLS174 Handle

Technical Parameters

Main Material: S.S 304
 Surface Finish: Mirror / Satin
 Drilling Size: $\Phi 14\text{mm}$ (Glass door),
 $\Phi 10\text{mm}$ (wooden door, framed door),
 Applicable Door Type: Wooden door, glass door, framed door and so on
 Applicable Door Thickness: 10-50mm
 [When the door thickness is more than 50mm, it needs to change the coupling screw.]

Specification



Specification

Code	KLS17403	KLS17404	KLS17405	KLS17406
A(mm)	350	455	500	600
B(mm)	250	305	350	450
C(mm)	$15^*30^*0.8$	$15^*30^*0.8$	$15^*30^*0.8$	$15^*30^*0.8$
D(mm)	55	55	55	55

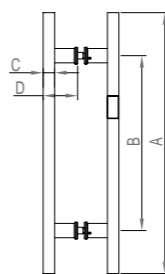


KLS171 Handle

Technical Parameters

Main Material: S.S 304
 Surface Finish: Mirror / Satin
 Drilling Size: $\Phi 14\text{mm}$ (Glass door),
 $\Phi 10\text{mm}$ (wooden door, framed door),
 Applicable Door Type: Wooden door, glass door, framed door and so on
 Applicable Door Thickness: 10-50mm
 [When the door thickness is more than 50mm, it needs to change the coupling screw.]

Specification



Specification

Code	KLS17103	KLS17104	KLS17105	KLS17106
A(mm)	350	455	500	600
B(mm)	250	305	350	450
C(mm)	$20^*40^*0.8$	$20^*40^*0.8$	$20^*40^*0.8$	$20^*40^*0.8$
D(mm)	60	60	60	60

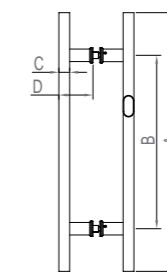


KLS176 Handle

Technical Parameters

Main Material: S.S 304
 Surface Finish: Mirror / Satin
 Drilling Size: $\Phi 14\text{mm}$ (Glass door),
 $\Phi 10\text{mm}$ (wooden door, framed door),
 Applicable Door Type: Wooden door, glass door, framed door and so on
 Applicable Door Thickness: 10-50mm
 [When the door thickness is more than 50mm, it needs to change the coupling screw.]

Specification



Specification

Code	KLS17603	KLS17604	KLS17605	KLS17606
A(mm)	350	455	500	600
B(mm)	250	305	350	450
C(mm)	$19^*38^*0.8$	$19^*38^*0.8$	$19^*38^*0.8$	$19^*38^*0.8$
D(mm)	60	60	60	60

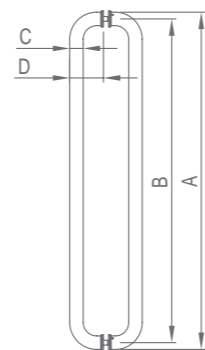


KLS401 Handle

Technical Parameters

Main Material: S.S 304
 Surface Finish: Mirror / Satin
 Drilling Size: $\Phi 14\text{mm}$ (Glass door),
 $\Phi 10\text{mm}$ (wooden door, framed door),
 Applicable Door Type: Wooden door, glass door, framed door and so on
 Applicable Door Thickness: 10-50mm
 [When the door thickness is more than 50mm, it needs to change the coupling screw.]

Specification



Specification

Code	KLS40102	KLS40103	KLS40104	KLS40106
A(mm)	275	330	482	632
B(mm)	250	305	450	600
C(mm)	$\Phi 25^*0.8$	$\Phi 25^*0.8$	$\Phi 32^*0.8$	$\Phi 32^*0.8$
D(mm)	72	72	82	82

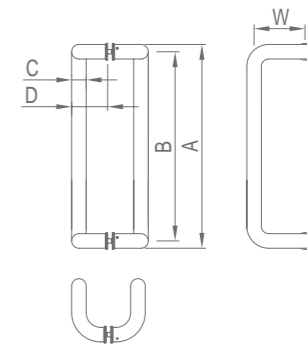


KLS413 Handle

Technical Parameters

Main Material: S.S 304
 Surface Finish: Mirror / Satin
 Drilling Size: $\Phi 14\text{mm}$ (Glass door),
 $\Phi 10\text{mm}$ (wooden door, framed door),
 Applicable Door Type: Wooden door, glass door, framed door and so on
 Applicable Door Thickness: 10-50mm
 [When the door thickness is more than 50mm, it needs to change the coupling screw.]

Specification



Specification

Code	KLS41302	KLS41303	KLS41304	KLS41306
A(mm)	275	330	482	632
B(mm)	250	305	450	600
C(mm)	$\Phi 25^*0.8$	$\Phi 25^*0.8$	$\Phi 32^*0.8$	$\Phi 32^*0.8$
D(mm)	70	70	80	80
W(mm)	86	86	95	95



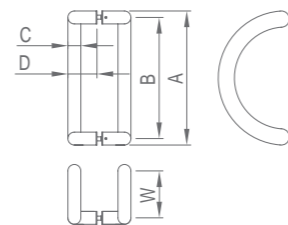
KLS412 Handle

Previous Code LS908

Technical Parameters

Main Material: S.S 304
 Surface Finish: Satin
 Drilling Size: $\Phi 14\text{mm}$ (Glass door),
 $\Phi 10\text{mm}$ (wooden door, framed door),
 Applicable Door Type: Wooden door, glass door, framed door and so on
 Applicable Door Thickness: 10-50mm
 [When the door thickness is more than 50mm, it needs to change the coupling screw.]

Specification



Specification

Code	KLS41203
A(mm)	332
B(mm)	300
C(mm)	$\Phi 32^*1.2$
D(mm)	72
W(mm)	128

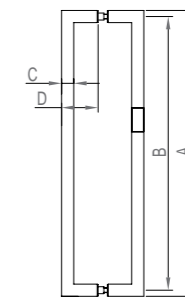


KLS454 Handle

Technical Parameters

Main Material: S.S 304
 Surface Finish: Mirror / Satin
 Drilling Size: $\Phi 14\text{mm}$ (Glass door),
 $\Phi 10\text{mm}$ (wooden door, framed door),
 Applicable Door Type: Wooden door, glass door, framed door and so on
 Applicable Door Thickness: 10-50mm
 [When the door thickness is more than 50mm, it needs to change the coupling screw.]

Specification



Specification

Code	KLS45402	KLS45403	KLS45404	KLS45406
A(mm)	270	325	470	600
B(mm)	250	305	450	580
C(mm)	$20^*40^*0.8$	$20^*40^*0.8$	$20^*40^*0.8$	$20^*40^*0.8$
D(mm)	60	60	60	60

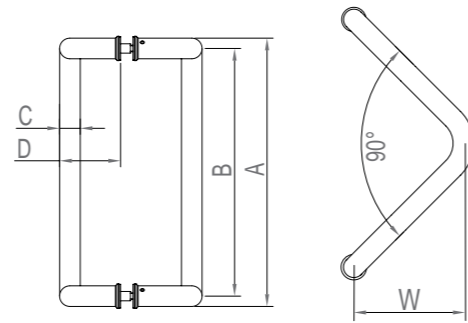


KLS457 Handle

Technical Parameters

Main Material: S.S 304
 Surface Finish: Mirror / Satin
 Drilling Size: $\Phi 14\text{mm}$ (Glass door),
 $\Phi 10\text{mm}$ (wooden door, framed door),
 Applicable Door Type: Wooden door, glass door, framed door and so on
 Applicable Door Thickness: 10-50mm
 [When the door thickness is more than 50mm, it needs to change the coupling screw.]

Specification



Specification

Code	KLS45703	KLS45704
A(mm)	330	482
B(mm)	305	450
C(mm)	$\Phi 25 \times 0.8$	$\Phi 32 \times 0.8$
D(mm)	70	80
W(mm)	135	205

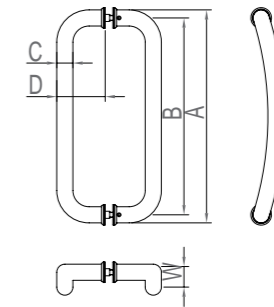


KLS459 Handle (New)

Technical Parameters

Main Material: S.S 304
 Surface Finish: Mirror / Satin
 Drilling Size: $\Phi 14\text{mm}$ (Glass door),
 $\Phi 10\text{mm}$ (wooden door, framed door),
 Applicable Door Type: Wooden door, glass door, framed door and so on
 Applicable Door Thickness: 10-50mm
 [When the door thickness is more than 50mm, it needs to change the coupling screw.]

Specification



Specification

Code	KLS45903
A(mm)	330
B(mm)	305
C(mm)	$\Phi 25 \times 0.8$
D(mm)	75
W(mm)	23