



The Quality Profile
★ ★ ★ ★ ★ ★

SOFTLINE SS90

VEKA SOFTLINE SS90 was specifically designed for sliding doors with very high sashes as well as sliding doors in high-rise buildings with high wind-load.

If the architectural designs of sliding doors requires no fixed window on top of sliding door with VEKA SOFTLINE SS90 sash height up to 2.5m can be built. Special sill profiles allow for easy entrance through these sliding doors but still preserve a very high level of water tightness.

- ◆ System U_f 2.3 W/m²·K (including steel reinforcements)
- ◆ System depth 90mm – 3 Chambers
- ◆ Glazing width range from 4mm – 33mm
- ◆ Available in profile wall thickness “Class A”

U-Values by Glass configuration

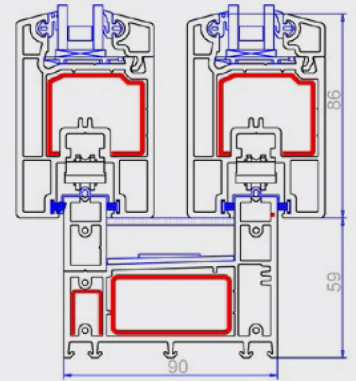
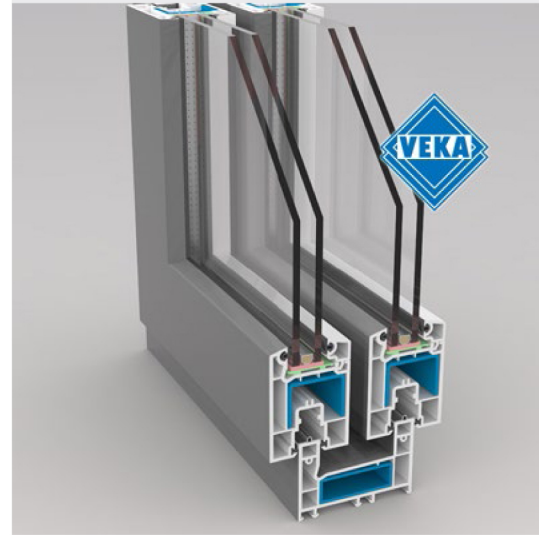
U-Value Std window	Glass Thickness	Glass Configuration	Glass U-Value
2.0 W/m ² ·K	22/24 mm	5ssLow-E+12/14Ar+5	1.50 W/m ² ·K
2.2 W/m ² ·K	22/24 mm	5ssLow-E+12/14A+5	1.75 W/m ² ·K
2.3 W/m ² ·K	19 mm	5ssLow-E+9A+5	2.0 W/m ² ·K
2.7 W/m ² ·K	22/24 mm	5+12/14Ar+5	2.5 W/m ² ·K

Color options

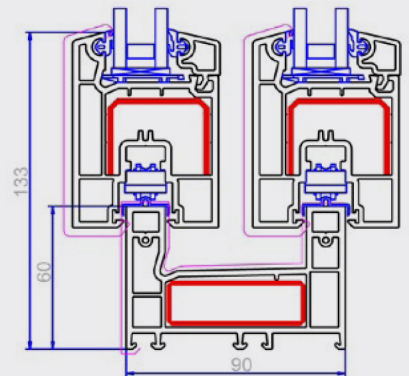
Standard White		White			
Acryl-Color COEX					
	dark brown	light grey	dark grey		
	Laminated				
moss green		dark oak	golden oak	mahogany	dark grey

SOFTLINE SS90

Type	Sliding Door
System Depth	90 mm
U-Value	$U_f=2.3W/m^2\cdot K$



↑ Door standard



↑ Door Acryl-Color COEX