

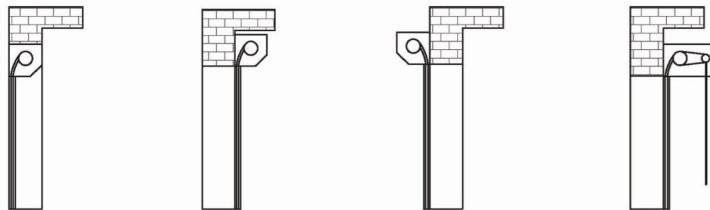
Manual for roller shutter

Used field and character

Our roller shutters, made from extruded aluminium slats with powder coating, are widely used for decoration and guard against theft. Our roller shutters could be used as resident shutter and doors, office doors, garage doors, balcony doors, shop front doors, industrial doors and so on.

Installation mode

Roller shutter can be driven either by tubular motor or outside motor.



Mid-installation Inside-installation Outside-installation Outside motor driven

Note for installation and test

The installation should be operated by the professional man.

User's guide

Five operation mode for roller shutters:

1. Purely manual.
2. Motorised with switch.
3. Motorised with remote control
4. Motorised with switch and remote control
5. Motorised with manual.

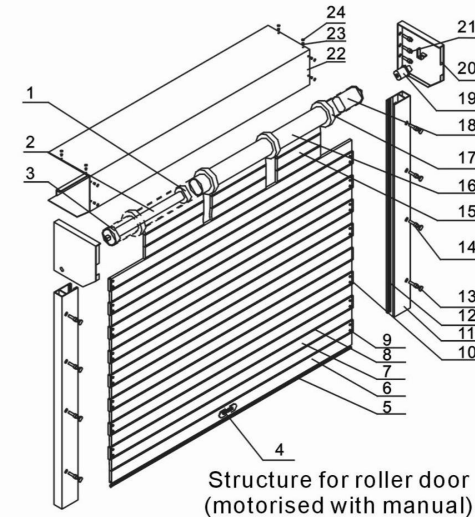
Two manual modes:

Manual crank system and manual tape coiler system.

Note

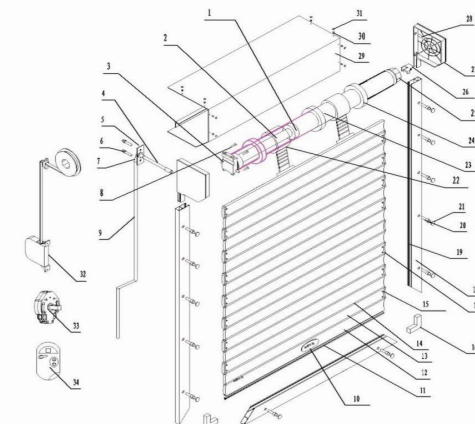
1. The battery in remote control should be replaced in half one year.
2. Use the transmitter carefully and avoid water into receiver.
3. Wire connection for tubular motor and remote control should be correct in order to avoid damage in the motor and remote control.
4. Avoid striking for the shutters in order to avoid damage or run off the guide rail for slats.
5. For the shutter with manual crank system, try to operate manual crank by changing the angle not by brute force while the resistance is too large.
6. The motor in the shutter is with the function of overheat protection. If the motor works for more than 4 minutes continually or the shutter is opened and closed frequently, the motor will stop working suddenly because of overheat protection, you should use it normally after the motor cools.
7. Lube should be added in the part of guide roller after the shutter is used for half one year in order to make the shutter work normally.
8. People and other things are prohibited while the shutter is being opened and closed.

Product structure



Structure for roller door
(motorised with manual)

1. adapter
2. tubular motor
3. crown
4. label
5. rubber insert for bottom slat
6. bottom slat
7. slat
8. rubber insert for slat
9. tapping screw
10. PVC side clip
11. guide rail
12. rubber insert for guide rail
13. PVC hole cap
14. expanding screw
15. spring fastener
16. axle
17. PVC ring
18. end cap
19. guide roller
20. bracket
21. expanding screw
22. box
23. tapping screw
24. PVC hole cap



Structure for roller shutter
(motorised with manual)

1. adapter
2. tubular motor
3. crown
4. rod
5. fixing screw
6. extending screw
7. universal joint
8. screw
9. handle
10. label
11. rubber
12. bottom slat
13. slat
14. rubber insert for guide rail
15. tapping screw
16. plastic corner
17. side clip
18. guide rail
19. brush insert
20. extending screw
21. PVC hole cap
22. spring fastener
23. axle
24. PVC ring
25. end-cap
26. holder
27. bracket
28. extending screw
29. box
30. tapping screw
31. PVC hole cap
32. manual tape coiler system
33. speed reducer
34. transmitter