

# Side-pull Latch

Autran's selection of glass latches is the most comprehensive in the industry, offering you the hardware and finish options you need to create innovative designs in your glass pool fencing.

We have developed a wide range of latches applied in glass to glass 180 degree, glass to glass 90 degree external swing, glass to glass 90 degree internal swing, glass to wall (square post) and glass to round post.



## Side-Pull Latch



## Full Stainless Steel Side-pull Latch



## Lockable Side-pull Latch

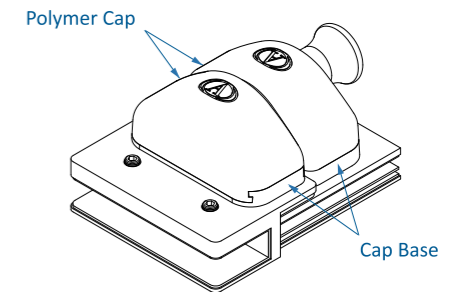


## Patents



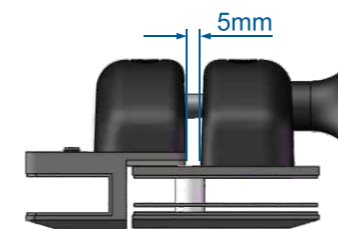
## Features

- Patented side-pull latch cap without exterior fixing holes
- Made of 2205 stainless steel (including latch pin)
- Suits 8mm, 10mm and 12mm gate panels
- Hidden fixing ensures a neat and stylish look
- Self-latching when gate is closed
- Available in polished, satin and matt black finish

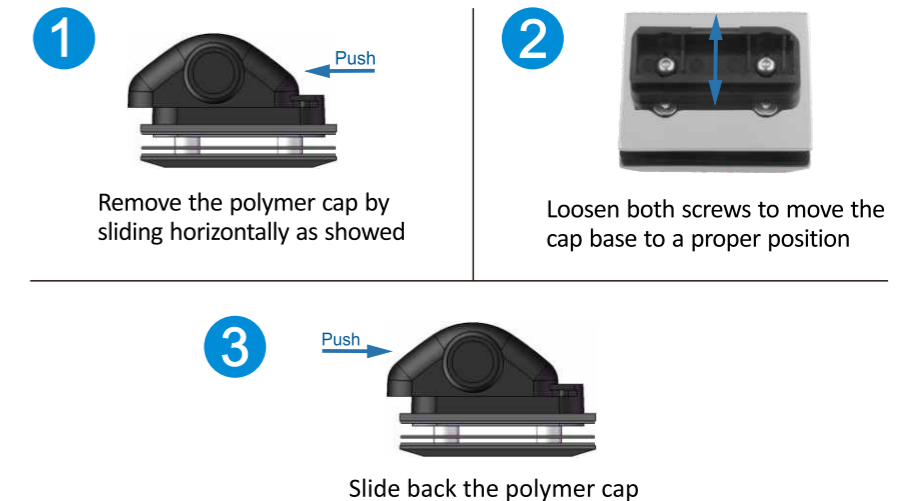


(Take glass to glass 180° latch as an example)

## How to Adjust the Gap Between Two Polymer Caps

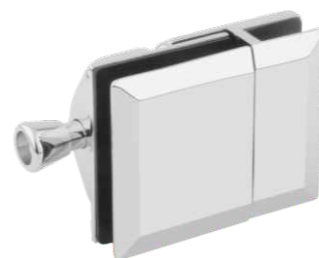


The recommended gap between two caps is 5mm



# Glass to Glass 180° Latch

- Available in traditional polymer cap, lockable and full stainless steel variety
- Made of 2205 stainless steel to offer strength and better corrosion resistance
- Suits 8mm, 10mm and 12mm gate panel and 12mm latch panel
- Hidden fixing feature makes a neat and stylish look
- No hole required in the latch panel
- Self-latching when gate is closed
- Available in polished, satin and matt black finish



Code	Finish
SLP2011M5	Polished
SLP2011S5	Satin
SLP2011B5	Matt Black

Code	Finish
SLK2011M5	Polished
SLK2011S5	Satin
SLK2011B5	Matt Black

Code	Finish
SLS2011M5	Polished
SLS2011S5	Satin
SLS2011B5	Matt Black

# Glass to Wall/SQ Post Latch

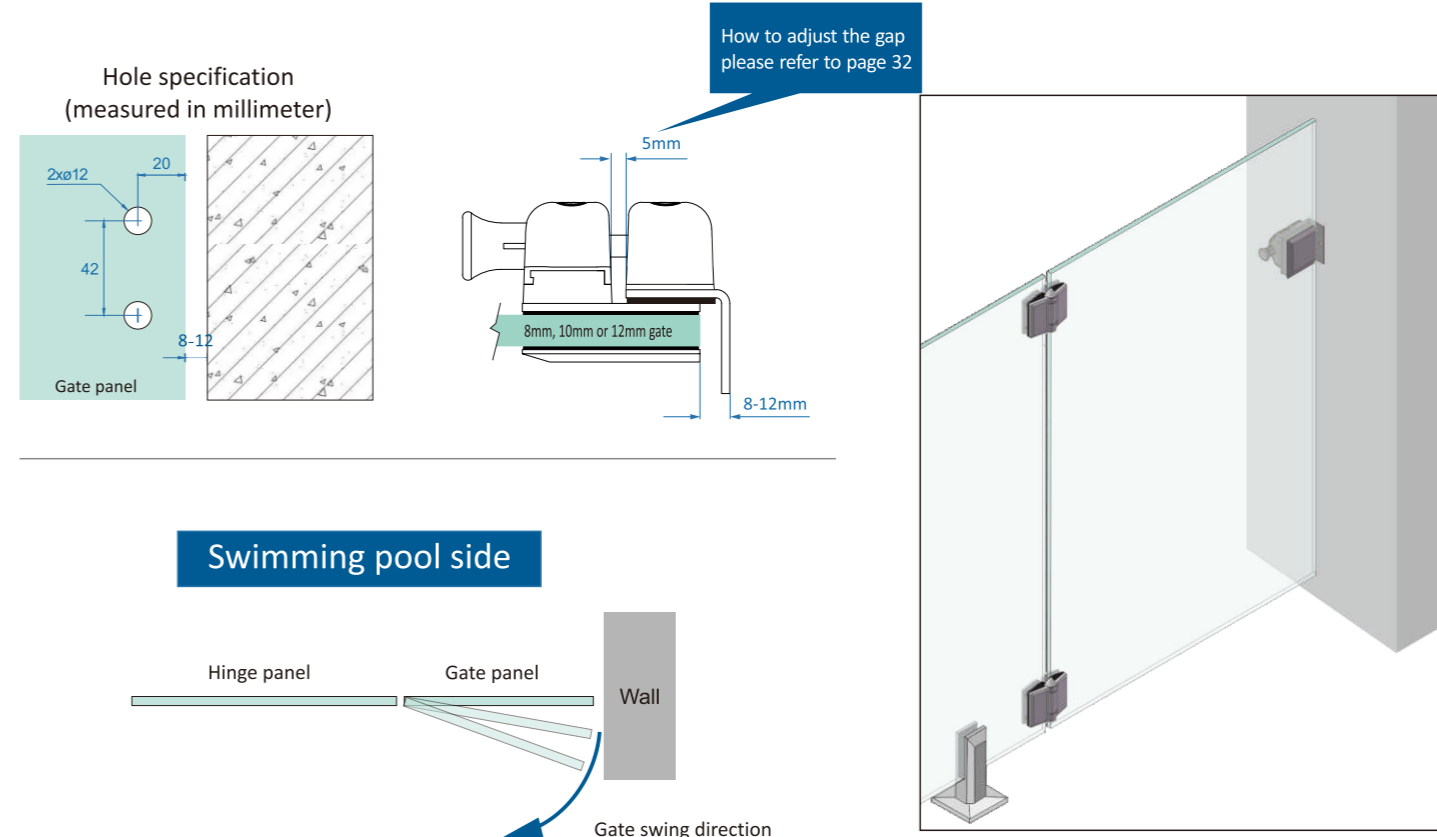
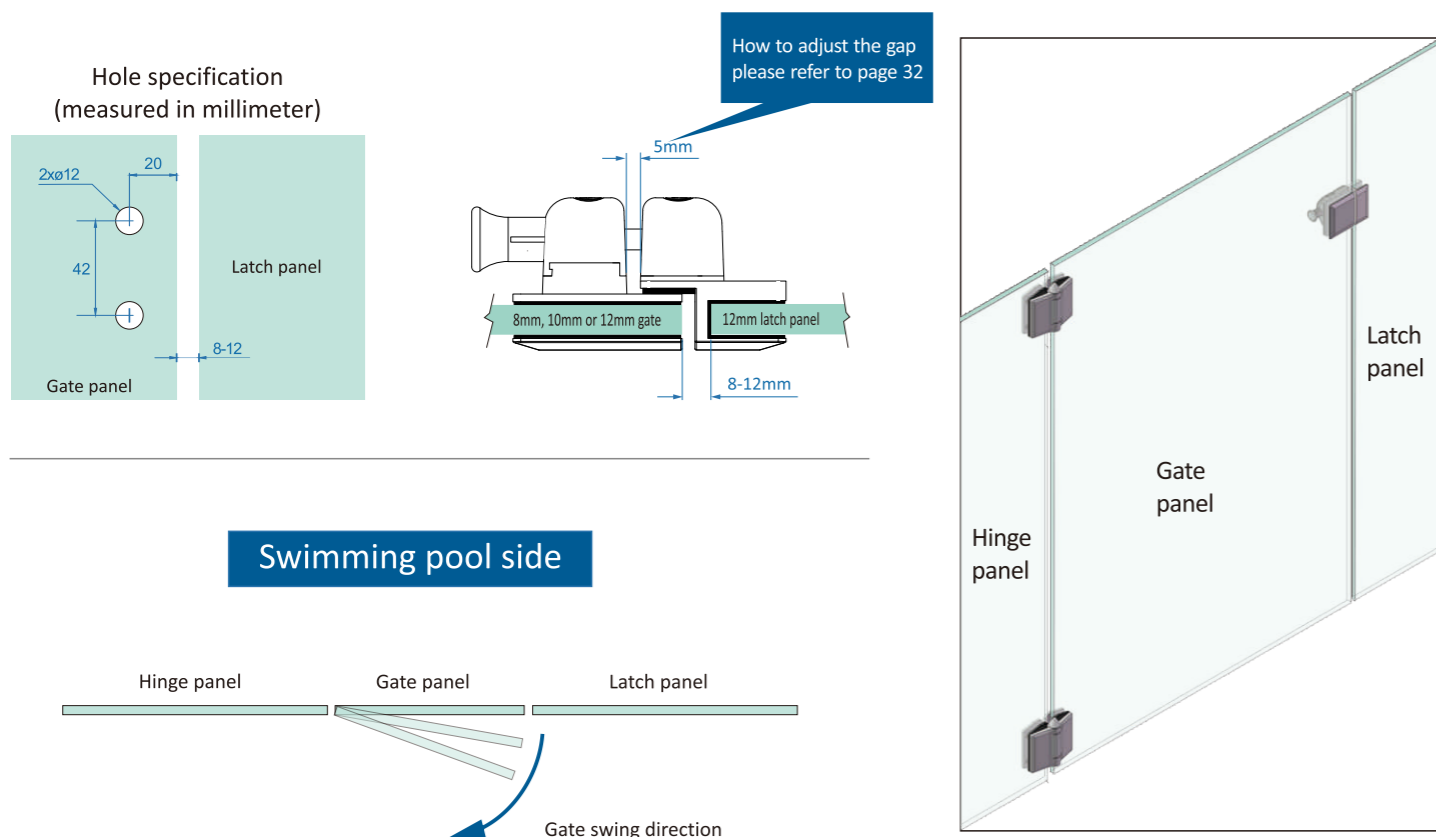
- Available in traditional polymer cap, lockable and full stainless steel variety
- Made of 2205 stainless steel to offer strength and better corrosion resistance
- Suits 8mm, 10mm and 12mm gate panel
- Hidden fixing feature makes a neat and stylish look
- Self-latching when gate is closed
- Available in polished, satin and matt black finish



Code	Finish
SLP2012M5	Polished
SLP2012S5	Satin
SLP2012B5	Matt Black

Code	Finish
SLK2012M5	Polished
SLK2012S5	Satin
SLK2012B5	Matt Black

Code	Finish
SLS2012M5	Polished
SLS2012S5	Satin
SLS2012B5	Matt Black



# Glass to Glass 90° Latch

- Available in traditional polymer cap, lockable and full stainless steel variety
- Made of 2205 stainless steel to offer strength and better corrosion resistance
- Suits 8mm, 10mm and 12mm gate panel
- Hidden fixing feature makes a neat and stylish look
- Self-latching when gate is closed
- No hole required in the latch panel
- Available in polished, satin and matt black finish
- Special safety hook design to prevent accidental un-latching when latch panel is deflected (For details please see page 61)



Code	Finish
SLP2013M5	Polished
SLP2013S5	Satin
SLP2013B5	Matt Black

Code	Finish
SLK2013M5	Polished
SLK2013S5	Satin
SLK2013B5	Matt Black

Code	Finish
SLS2011M5	Polished
SLS2011S5	Satin
SLS2011B5	Matt Black

# Glass to Glass 90° Latch

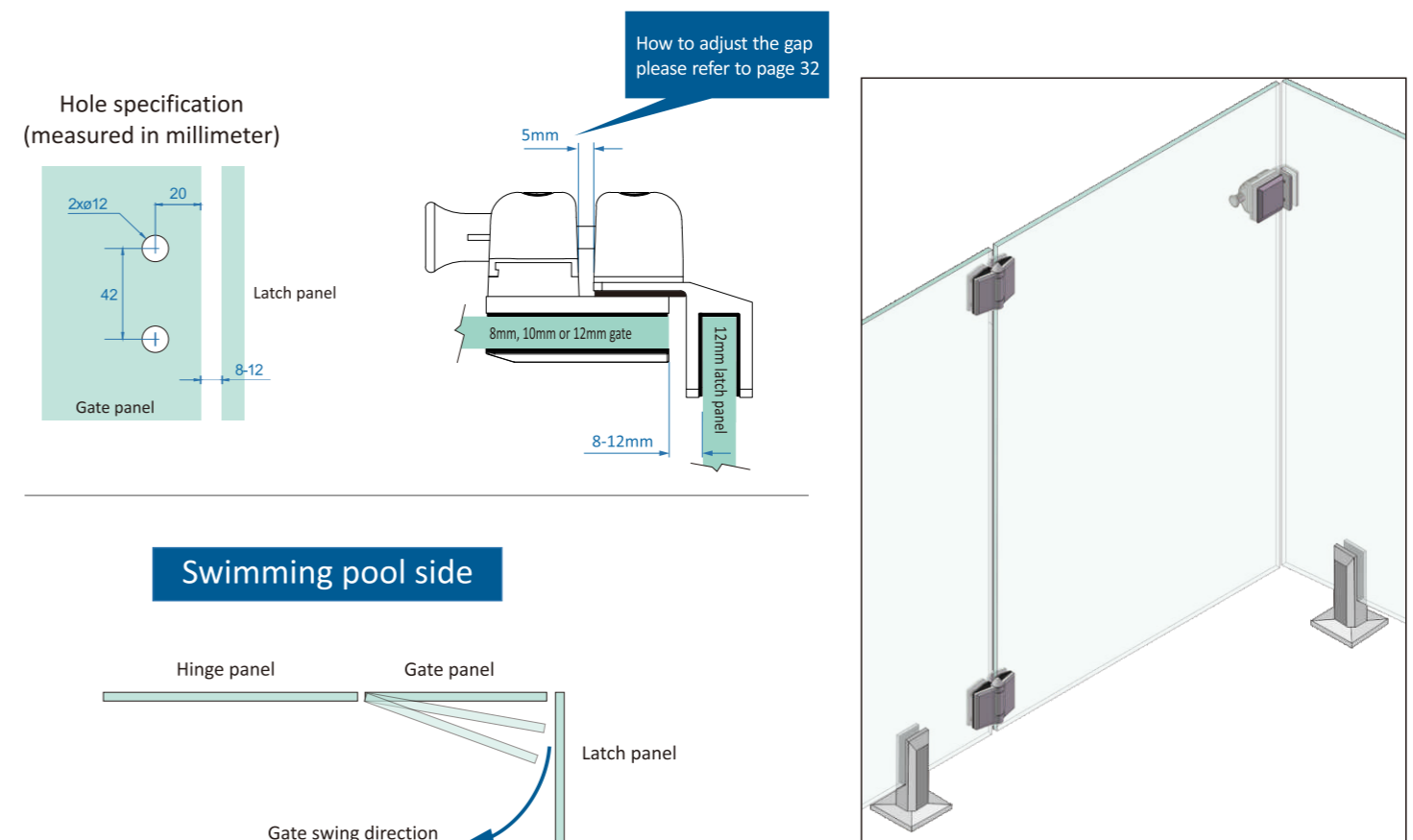
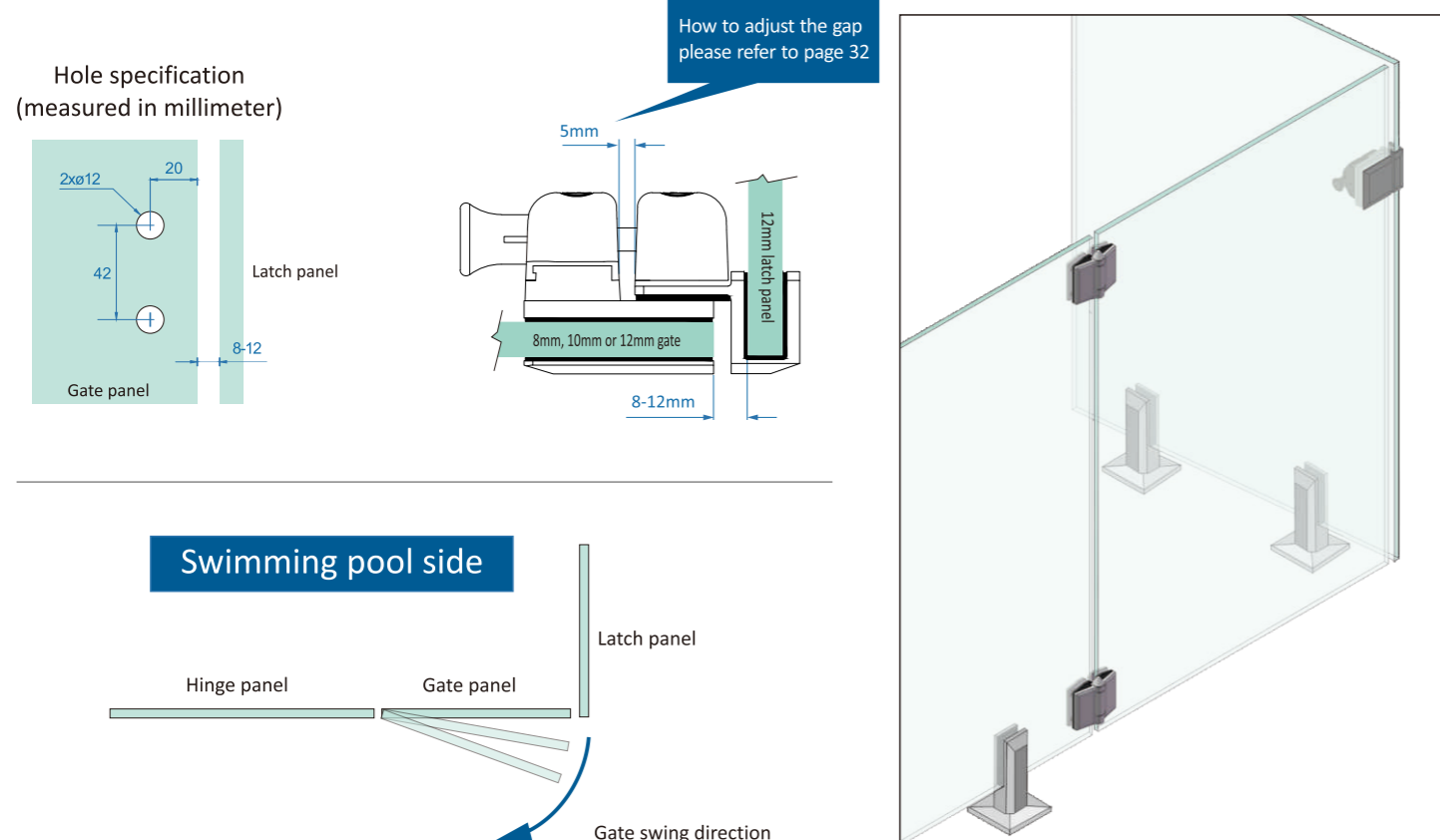
- Available in traditional polymer cap, lockable and full stainless steel variety
- Made of 2205 stainless steel to offer strength and better corrosion resistance
- Suits 8mm, 10mm and 12mm gate panel
- Hidden fixing feature makes a neat and stylish look
- Self-latching when gate is closed
- No hole required in the latch panel
- Available in polished, satin and matt black finish
- Special safety hook design to prevent accidental un-latching when latch panel is deflected (For details please see page 61)



Code	Finish
SLP2014M5	Polished
SLP2014S5	Satin
SLP2014B5	Matt Black

Code	Finish
SLK2014M5	Polished
SLK2014S5	Satin
SLK2014B5	Matt Black

Code	Finish
SLS2014M5	Polished
SLS2014S5	Satin
SLS2014B5	Matt Black



# Special Design for Corner Latch

For latch for glass to glass corner application, we design a stud which is inserted into the slot in backing plate for gate panel when the door is closed to prevent the latch panel from being pulled to open the door.

## Glass to Glass 90° Corner Latch (Internal Style)



## Glass to Glass 90° Corner Latch (External Style)



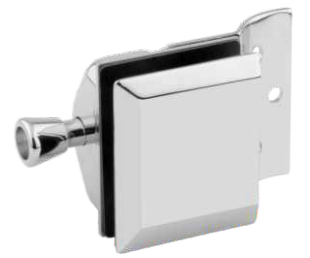
For Glass to Glass corner latch, we designed a safety hook which hooks into a slot in the backing plate for gate panel when the door is closed to prevent the latch from accidental un-latching when the latch panel is pulled outwards.

The function of this hook is to stop the latch panel from being pulled outwards and pulling the latch apart. When the gate is closed the hook will prevent the latch panel from moving horizontally away from the latched position.



# Glass to ø50.8mm Post Latch

- There are normal, lockable and full stainless steel for choice
- Made of 2205 stainless steel, is stronger and has better corrosion resistance
- Suits 8mm, 10mm and 12mm gate panel
- Hidden fixing feature makes a neat and stylish look
- Self latches when door closes
- Available in polished, satin and matt black finish

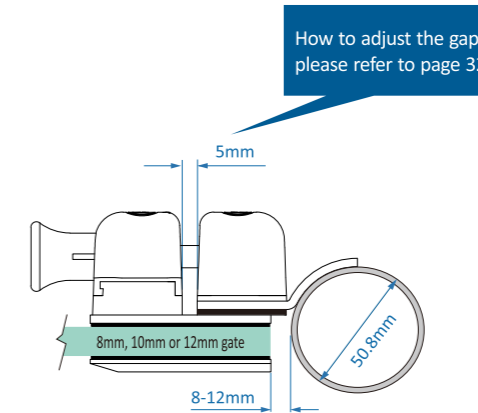
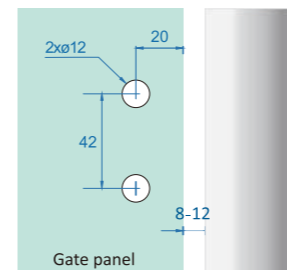


Code	Finish
SLP2015M5	Polished
SLP2015S5	Satin
SLP2015B5	Matt Black

Code	Finish
SLK2015M5	Polished
SLK2015S5	Satin
SLK2015B5	Matt Black

Code	Finish
SLS2015M5	Polished
SLS2015S5	Satin
SLS2015B5	Matt Black

Hole specification (measured in millimeter)



## Swimming pool side

