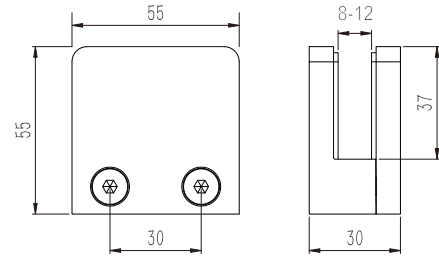


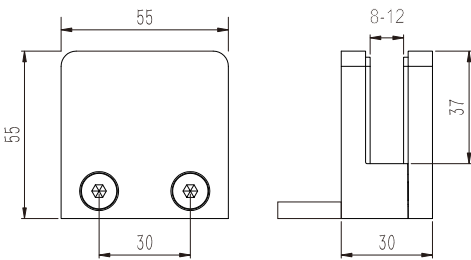
### Glass to Flat Surface Clamp



Code	Finish
SCA5510M5	Polished
SCA5510S5	Satin
SCA5510B5	Matt Black

2205 stainless steel  
With two magic gaskets  
Suits 8mm -12mm glass  
No hole required in the glass

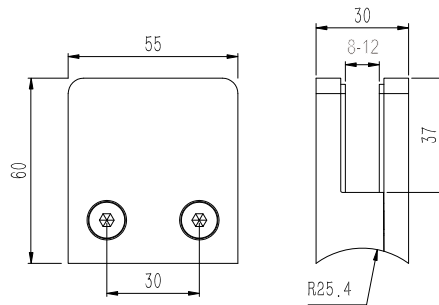
### Glass to Flat Surface Clamp



Code	Finish
SCA5511M5	Polished
SCA5511S5	Satin
SCA5511B5	Matt Black

2205 stainless steel  
With two magic gaskets  
Suits 8mm -12mm glass  
No hole required in the glass

### Glass to ø50.8 Round Post Clamp



Code	Finish
SCB6010M5	Polished
SCB6010S5	Satin
SCB6010B5	Matt Black

2205 stainless steel  
With two magic gaskets  
Suits 8mm -12mm glass  
No hole required in the glass

Above three clamps are equipped with two magic gaskets, just simply combine different side to fit 8mm, 10 mm and 12 mm glass. This unique design is protected by an innovation patent.



**Magic gaskets**  
Made from rubber EPDM  
Better for clamping glass



**Saddle**  
Available for supporting glass if needed

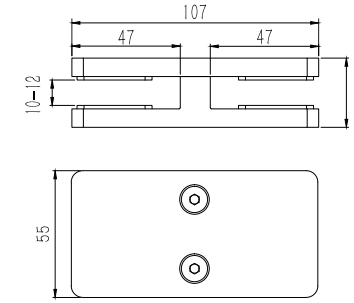
Code:  
SCA5510M5-1 (Polished)  
SCA5510S5-1 (Satin)  
SCA5510B5-1 (Matte Black)



**Steel pin**  
Go through glass to prevent glass from dropping

Code: SCA5510-2

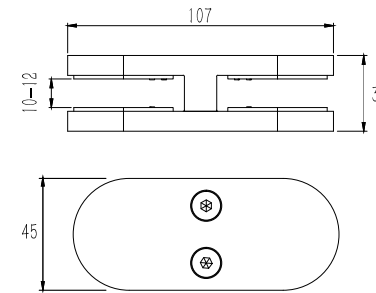
### Heavy Duty Glass to Glass 180° Clamp



Code	Finish
SCH1013M5	Polished
SCH1013S5	Satin
SCH1013B5	Matt Black

2205 stainless steel  
Suits 8mm - 12mm glass  
No hole required in the glass

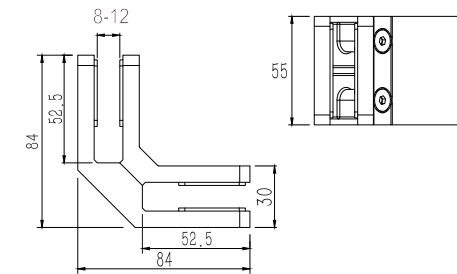
### Heavy Duty Glass to Glass 180° Clamp



Code	Finish
SCH1010M5	Polished
SCH1010S5	Satin
SCH1010B5	Matt Black

2205 stainless steel  
With two magic gaskets  
Suits 8mm -12mm glass  
No hole required in the glass

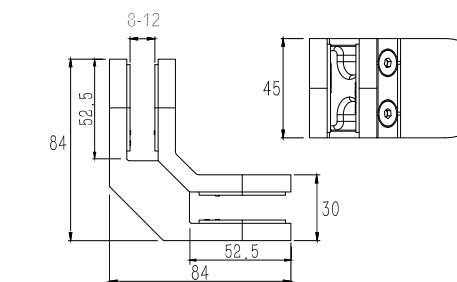
### Heavy Duty Glass to Glass 90° Corner Clamp



Code	Finish
SCE8411M5	Polished
SCE8411S5	Satin
SCE8411B5	Matt Black

2205 stainless steel  
Suits 8mm -12mm glass  
No hole required in the glass

### Heavy Duty Glass to Glass 90° Corner Clamp

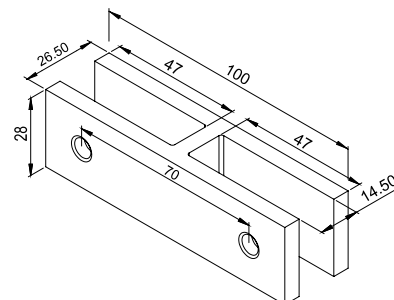


Code	Finish
SCE8410M5	Polished
SCE8410S5	Satin
SCE8410B5	Matt Black

2205 stainless steel  
With two magic gaskets  
Suits 8mm -12mm glass  
No hole required in the glass



### Glass to Glass 180° Clamp

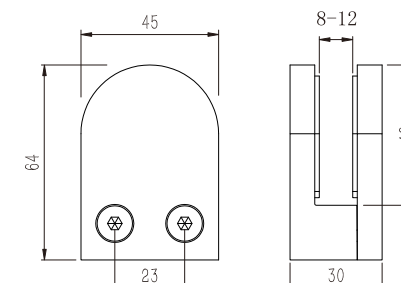


Code	Finish
------	--------

SCH1011M6	Polished
SCH1011S6	Satin
SCH1011B6	Matt Black

316 stainless steel  
Suits 12mm (1/2") glass  
No hole required in the glass

### Glass to Flat Surface Clamp

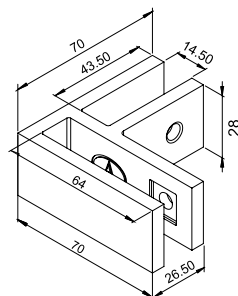


Code	Finish
------	--------

SCC6410M5	Polished
SCC6410S5	Satin
SCC6410B5	Matt Black

2205 stainless steel  
Suits 8mm - 12mm glass  
No hole required in the glass

### Glass to Glass 90° Corner Clamp

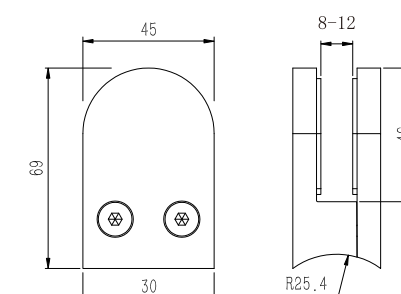


Code	Finish
------	--------

SCE7011M6	Polished
SCE7011S6	Satin
SCE7011B6	Matt Black

316 stainless steel  
Suits 12mm (1/2") glass  
No hole required in the glass

### Glass to ø50.8 Round Post Clamp

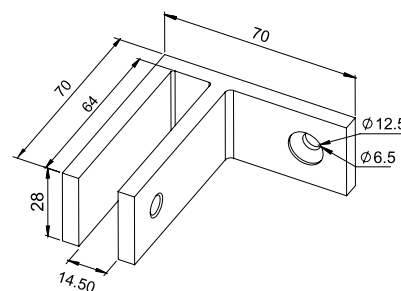


Code	Finish
------	--------

SCD6910M5	Polished
SCD6910S5	Satin
SCD6910B5	Matt Black

2205 stainless steel  
With two magic gaskets  
Suits 8mm - 12mm glass  
No hole required in the glass

### Glass to Wall Clamp

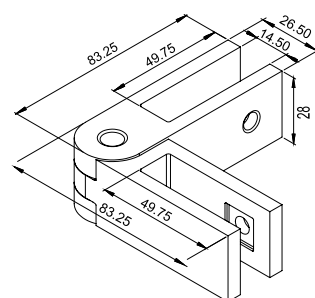


Code	Finish
------	--------

SCF7011M6	Polished
SCF7011S6	Satin
SCF7011B6	Matt Black

316 stainless steel  
Suits 12mm (1/2") glass  
No hole required in the glass

### Glass to Glass Adjustable Clamp



Code	Finish
------	--------

SCG1411M6	Polished
SCG1411S6	Satin
SCG1411B6	Matt Black

316 stainless steel  
Suits 12mm (1/2") glass  
No hole required in the glass

