

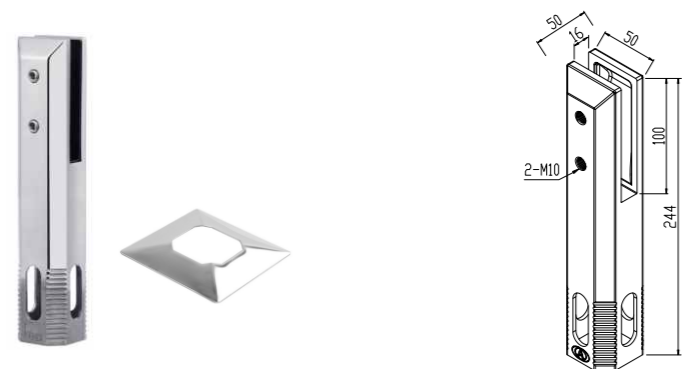


Square Core Drill Spigot



Code	Finish
SSC2810M5	Polished
SSC2810S5	Satin
SSC2810B5	Matt Black

Square core drill spigot
Duplex 2205 stainless steel
Suitable for 12mm (1/2") glass
Friction fit, no hole required in the glass



Code	Finish
SSC2410M5	Polished
SSC2410S5	Satin
SSC2410B5	Matt Black

Square core drill spigot
Duplex 2205 stainless steel
Suitable for 12mm (1/2") glass
Friction fit, no hole required in the glass



Code	Finish
SSC2410M54	Polished
SSC2410S54	Satin
SSC2410B54	Matt Black

Square core drill spigot
Duplex 2205 stainless steel
Suitable for 12mm (1/2") glass
Friction fit, no hole required in the glass



Code	Finish
SSC3610M5	Polished
SSC3610S5	Satin
SSC3610B5	Matt Black

Square core drill spigot
Duplex 2205 stainless steel
Suitable for 12mm (1/2") glass
Friction fit, no hole required in the glass



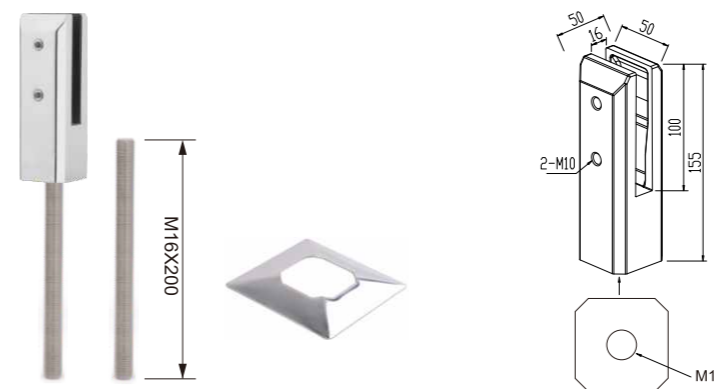
Code	Finish
SSC2411M5	Polished
SSC2411S5	Satin
SSC2411B5	Matt Black

Square core drill spigot
Duplex 2205 stainless steel
Suitable for 12mm (1/2") glass
Friction fit, no hole required in the glass



Code	Finish
SSC2411M54	Polished
SSC2411S54	Satin
SSC2411B54	Matt Black

Square core drill spigot
Duplex 2205 stainless steel
Suitable for 12mm (1/2") glass
Friction fit, no hole required in the glass

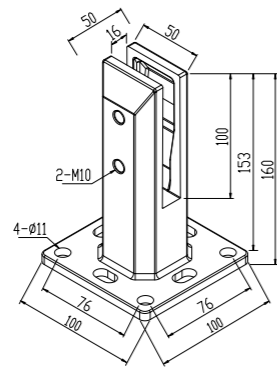


Code	Finish
SSC1511M5	Polished
SSC1511S5	Satin
SSC1511B5	Matt Black

Square core drill spigot
Duplex 2205 stainless steel
Suitable for 12mm (1/2") glass
Friction fit, no hole required in the glass

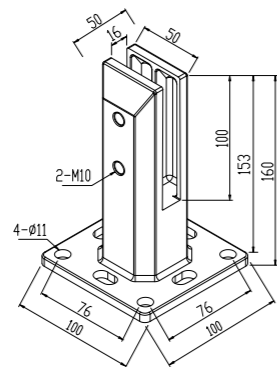


Square Base Plated Spigot



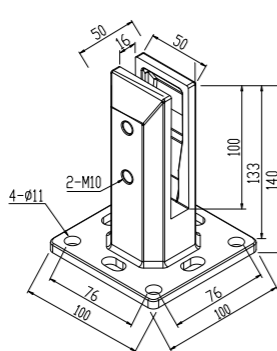
Code	Finish
SSC1620M5	Polished
SSC1620S5	Satin
SSC1620B5	Matt Black

Square base plated spigot
Duplex 2205 stainless steel
Suitable for 12mm (1/2") glass
Friction fit, no hole required in the glass



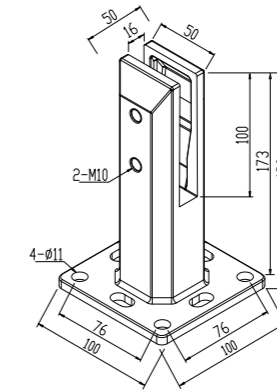
Code	Finish
SSC1620M54	Polished
SSC1620S54	Satin
SSC1620B54	Matt Black

Square base plated spigot
Duplex 2205 stainless steel
Suitable for 12mm (1/2") glass
Friction fit, no hole required in the glass



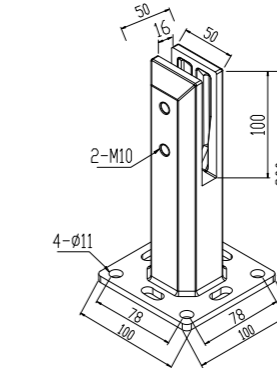
Code	Finish
SSC1420M5	Polished
SSC1420S5	Satin
SSC1420B5	Matt Black

Square base plated spigot
Duplex 2205 stainless steel
Suitable for 12mm (1/2") glass
Friction fit, no hole required in the glass



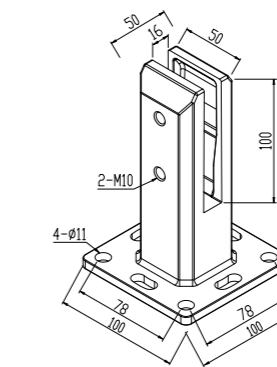
Code	Finish
SSC1820M5	Polished
SSC1820S5	Satin
SSC1820B5	Matt Black

Square base plated spigot
Duplex 2205 stainless steel
Suitable for 12mm (1/2") glass
Friction fit, no hole required in the glass



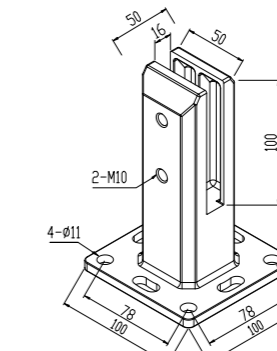
Code	Finish
SSC2120M5	Polished
SSC2120S5	Satin
SSC2120B5	Matt Black

Square base plated spigot
Duplex 2205 stainless steel
Suitable for 12mm (1/2") glass
Friction fit, no hole required in the glass



Code	Finish
SSC1621M5	Polished
SSC1621S5	Satin
SSC1621B5	Matt Black

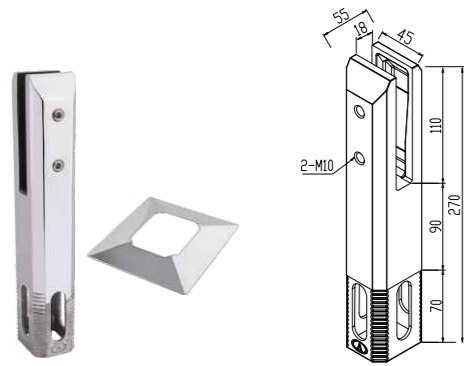
Square base plated spigot
Duplex 2205 stainless steel
Suitable for 12mm (1/2") glass
Friction fit, no hole required in the glass



Code	Finish
SSC1621M54	Polished
SSC1621S54	Satin
SSC1621B54	Matt Black

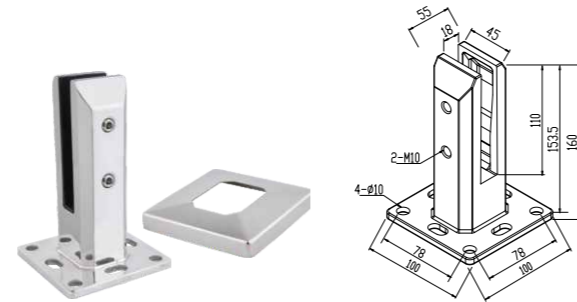
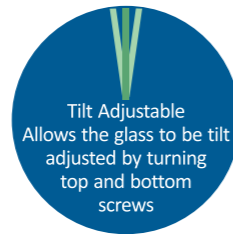
Square base plated spigot
Duplex 2205 stainless steel
Suitable for 12mm (1/2") glass
Friction fit, no hole required in the glass

Spigots for 13.52mm Glass



Code	Finish
SSC2770M5	Polished
SSC2770S5	Satin
SSC2770B5	Matte Black

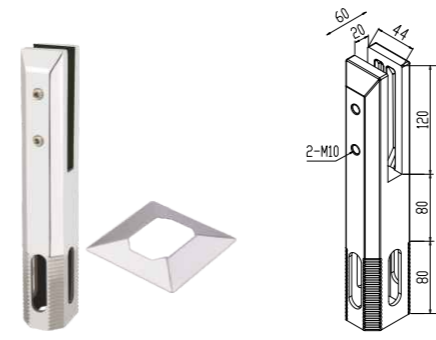
Square Core Drill spigot
Duplex 2205 stainless steel
Suitable for 13.52mm laminated glass
Friction fit, no hole required in the glass



Code	Finish
SSA1680M5	Polished
SSA1680S5	Satin
SSA1680B5	Matte Black

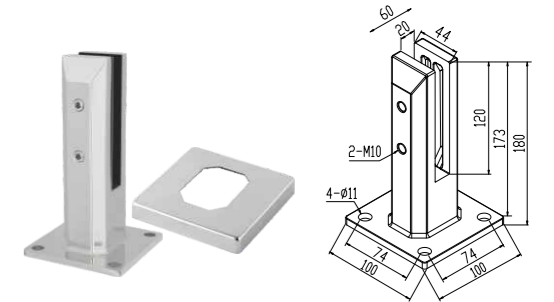
Adjustable Square Base Plated spigot
Duplex 2205 stainless steel
Suitable for 13.52mm laminated glass
Friction fit, no hole required in the glass

Spigots for 17.52mm Glass



Code	Finish
SSC2871M5	Polished
SSC2871S5	Satin
SSC2871B5	Matte Black

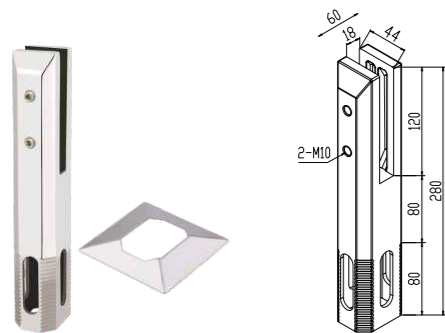
Square Core Drill spigot
Duplex 2205 stainless steel
Suitable for 17.52mm laminated glass
Friction fit, no hole required in the glass



Code	Finish
SSC1881M5	Polished
SSC1881S5	Satin
SSC1881B5	Matte Black

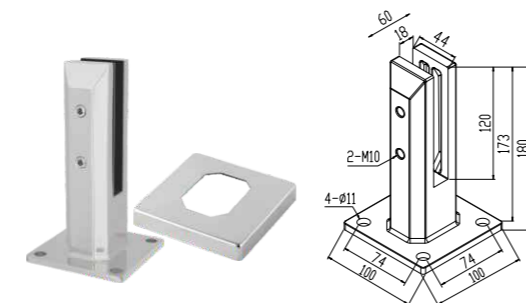
Square Base Plated spigot
Duplex 2205 stainless steel
Suitable for 17.52mm laminated glass
Friction fit, no hole required in the glass

Spigots for 15mm Glass



Code	Finish
SSC2870M5	Polished
SSC2870S5	Satin
SSC2870B5	Matte Black

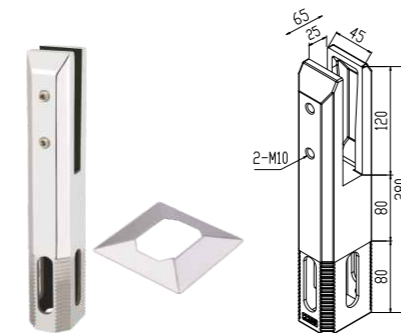
Square Core Drill spigot
Duplex 2205 stainless steel
Suitable for 15mm glass
Friction fit, no hole required in the glass



Code	Finish
SSC1880M5	Polished
SSC1880S5	Satin
SSC1880B5	Matte Black

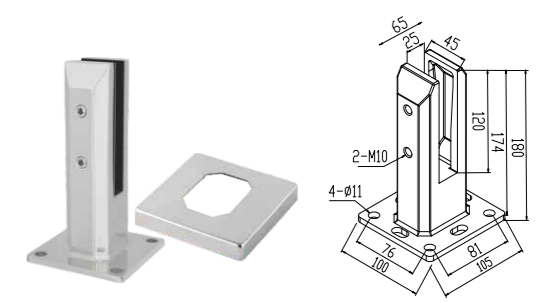
Square Base Plated spigot
Duplex 2205 stainless steel
Suitable for 15mm glass
Friction fit, no hole required in the glass

Spigots for 22.52mm Glass



Code	Finish
SSC2872M5	Polished
SSC2872S5	Satin
SSC2872B5	Matte Black

Square Core Drill spigot
Duplex 2205 stainless steel
Suitable for 22.52mm laminated glass
Friction fit, no hole required in the glass

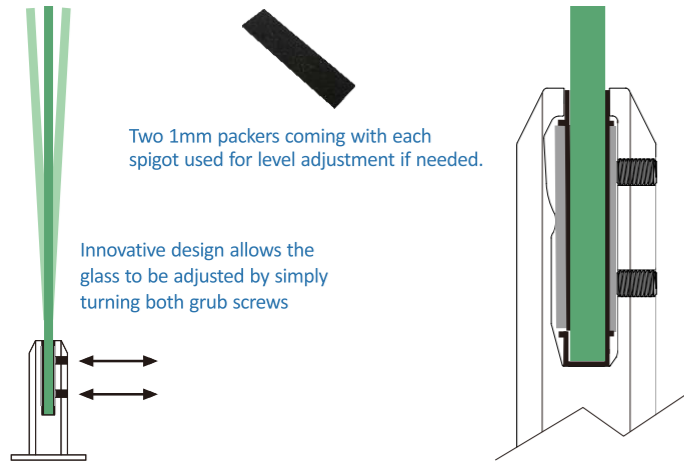


Code	Finish
SSC1882M5	Polished
SSC1882S5	Satin
SSC1882B5	Matte Black

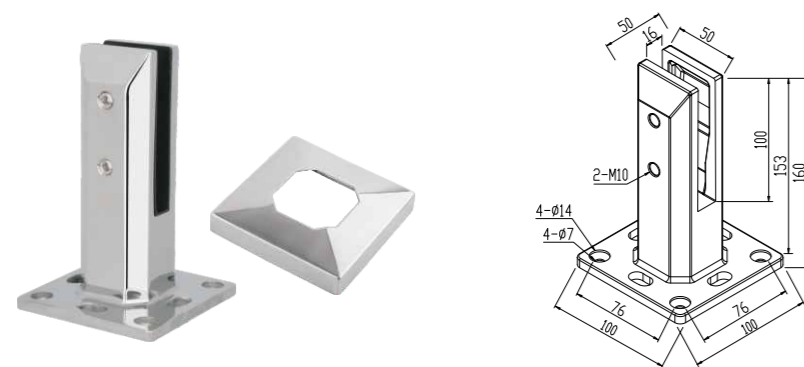
Square Base Plated spigot
Duplex 2205 stainless steel
Suitable for 22.52mm laminated glass
Friction fit, no hole required in the glass

Adjustable Spigot

Adjustable spigots are patented products of Autran Industrial that are developed to significantly reduce the installation time by cutting down time spent on glass alignment. The revolutionary adjustment function is available in base plated spigots in square and round profiles. The most attractive aspect of our adjustable spigots is that the adjustable mechanism is a standard built-in feature for all of our standard spigots range: It only takes a few seconds to do an adjustable friction gasket swap to convert a standard non-adjustable Autran spigot to an adjustable one.

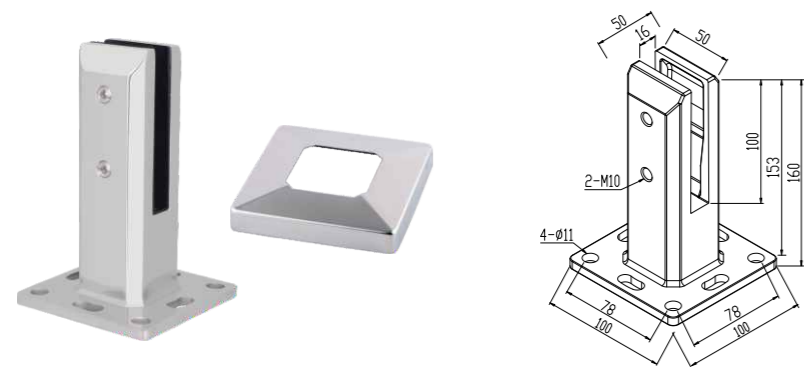


Tilt Adjustment through two grub screws, and 1mm packers can be put into the slot bottom to raise slightly up glass panel.



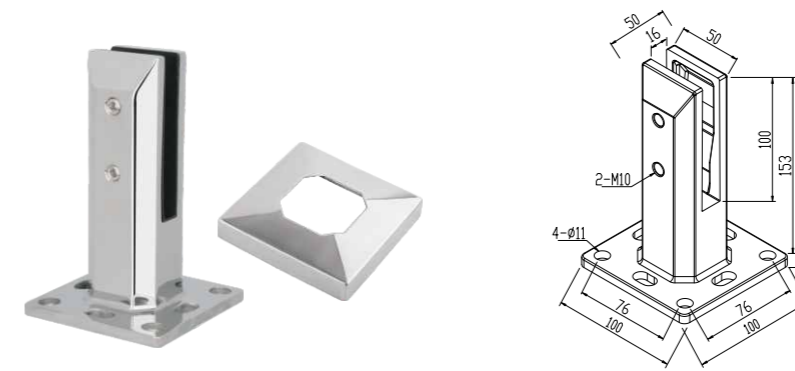
Code	Finish
SSA1620M5	Polished
SSA1620S5	Satin
SSA1620B5	Matt Black

Adjustable square base plated spigot
Duplex 2205 stainless steel
Suitable for 12mm (1/2") glass
Friction fit, no hole required in the glass



Code	Finish
SSA1621M5	Polished
SSA1621S5	Satin
SSA1621B5	Matt Black

Adjustable square base plated spigot
Duplex 2205 stainless steel
Suitable for 12mm (1/2") glass
Friction fit, no hole required in the glass



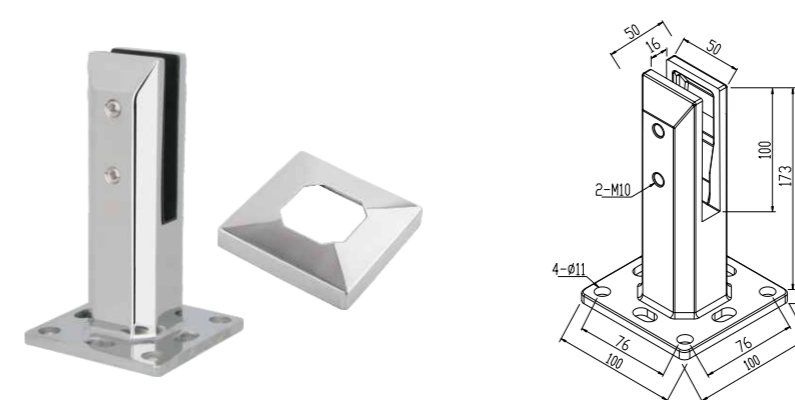
Code	Finish
SSA1620M51	Polished
SSA1620S51	Satin
SSA1620B51	Matt Black

Adjustable square base plated spigot
Duplex 2205 stainless steel
Suitable for 12mm (1/2") glass
Friction fit, no hole required in the glass



Code	Finish
SSA1420M5	Polished
SSA1420S5	Satin
SSA1420B5	Matt Black

Adjustable square base plated spigot
Duplex 2205 stainless steel
Suitable for 12mm (1/2") glass
Friction fit, no hole required in the glass



Code	Finish
SSA1820M5	Polished
SSA1820S5	Satin
SSA1820B5	Matt Black

Adjustable square base plated spigot
Duplex 2205 stainless steel
Suitable for 12mm (1/2") glass
Friction fit, no hole required in the glass

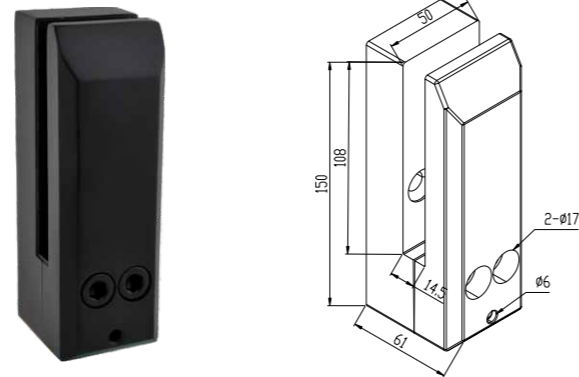
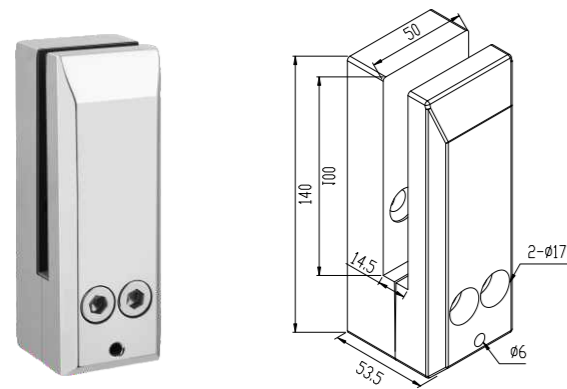
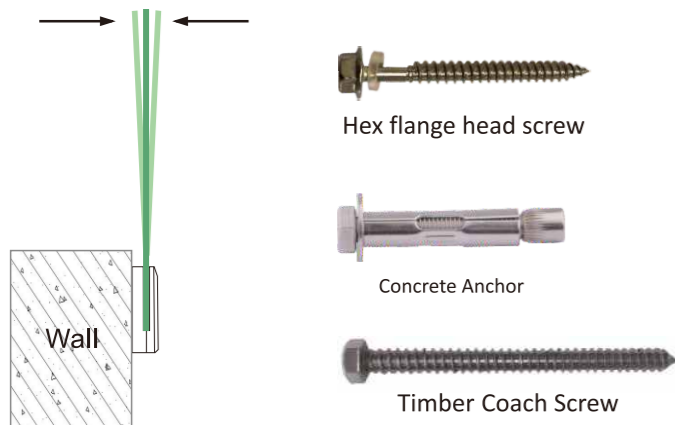


Code	Finish
SSA1641M5	Polished
SSA1641S5	Satin
SSA1641B5	Matt Black

Adjustable round base plated spigot
Duplex 2205 stainless steel
Suitable for 12mm (1/2") glass
Friction fit, no hole required in the glass

Smarter Spigot

Smarter Spigot™ is Autran's patented product for side mount applications. It is engineered for both balustrade and pool fencing and it is certified compliant with Australian/New Zealand standards. The patented tilt adjustment technology distinguished the Smarter Spigot from ordinary side mount spigot which offered no adjustment capability. In many side mount installations, the surface on which the spigots are mounted are not perfectly vertical which can be a hassle to adjust with shims and packers. With Smarter Spigot™, tilt adjustment is fast and easy and can be done from the outside without removing the glass panel.



- Tilt adjustment spigot-Smarter Spigot
- Material: 2205 stainless steel
- Suitable for 12mm glass
- Friction fit, no hole required in the glass
- Face fit onto concrete or timber
- Available in polished, satin and matt black finish

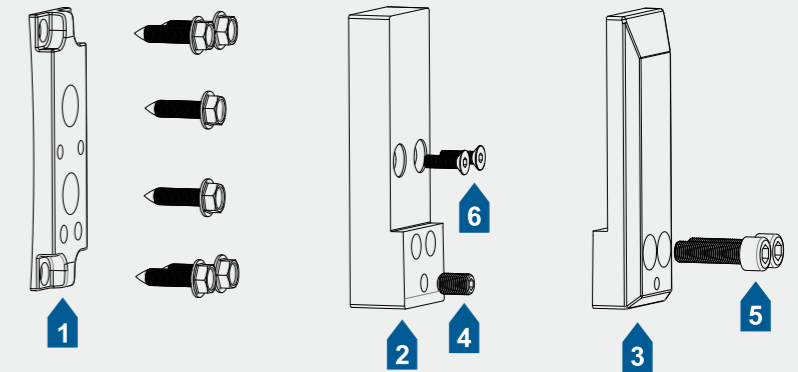
Code	Finish
SSC1471M5	Polished
SSC1471S5	Satin
SSC1471B5	Matt Black

- Tilt adjustment spigot-Smarter Spigot
- Material: 2205 stainless steel
- Suitable for 12mm, 13.52mm and 15mm glass
- Friction fit, no hole required in the glass
- Face fit onto concrete or timber
- Available in polished, satin and matt black finish

Code	Finish
SSC1570M5	Polished
SSC1570S5	Satin
SSC1570B5	Matt Black

Installation Guide

- 1 Wall Bracket
- 2 Adjustment Body
- 3 Surface Cover
- 4 Adjustment Grub Screw
- 5 Threaded Bolts
- 6 Countersunk Screw



1. Use the wall bracket to mark out the hole positions and drill holes accordingly. Then fix the wall bracket to the wall and tighten firmly. Use the provided shims to adjust the distance off the wall if needed.
2. Fix the adjustment body to the wall bracket and tighten firmly.
3. Fix the surface cover to the wall bracket too. Don't tighten firmly as the glass need space to be inserted.
4. Insert glass panel and tighten firmly the threaded bolts. Adjust to make it plumb if needed.

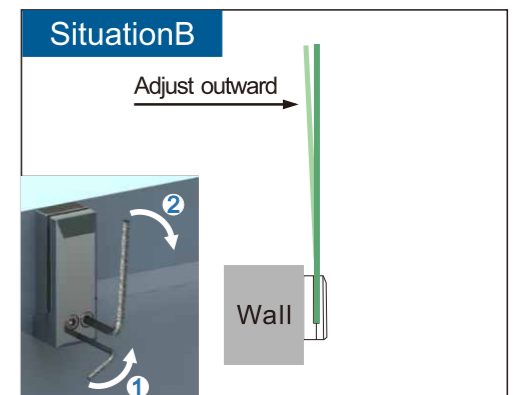
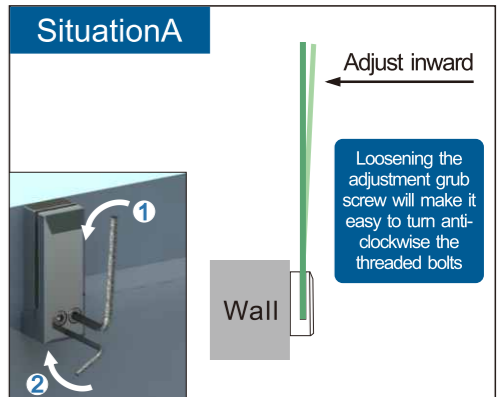
Tilt Adjustment Guide

Situation A. To deflect inward, turn anti-clockwise the threaded bolts slightly and then tighten the adjustment grub screw with an M6 Allen key . Repeat this adjustment until glass panel is plumb, finally tighten firmly the threaded bolts.

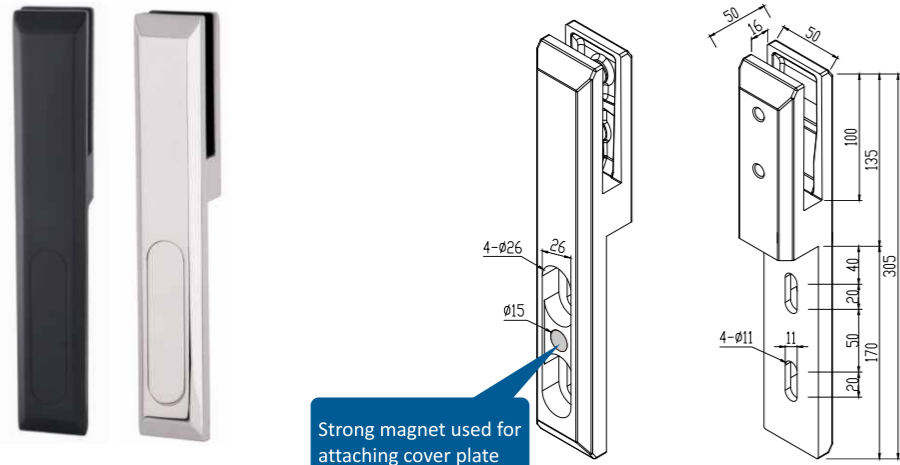
Situation B. To deflect outward, turn anti-clockwise the adjustment grub screw slightly with an M6 Allen key and then tighten the threaded bolts. Repeat this adjustment until glass panel is plumb.



There are two pieces of nylon shims (1.5mm and 2.5mm) coming with each spigot for packing out spigot from wall to adjust the distance off the wall.



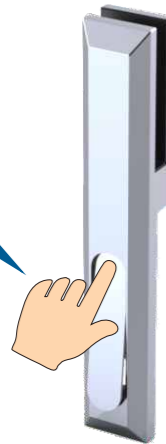
Adjustable Edge Mount Spigot



Code	Finish
SSA3011M5	Polished
SSA3011S5	Satin
SSA3011B5	Matt Black

Adjustable edge mount spigot
Duplex 2205 stainless steel
Suitable for 12mm (1/2") glass
Friction fit, no hole required in the glass

Press to open and remove the cover plate



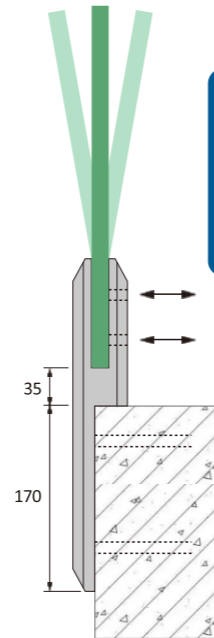
Concrete Anchor
Ideal for fixing spigot onto concrete wall
316 stainless steel
Diameter 10mm
Length 60mm (also can be customized)



Timber Coach Screw
Ideal for fixing spigot onto a timber beam
316 stainless steel
Threads diameter 10mm
Self tapping 100mm length
(length also can be customized)



Tilt Adjustment
Innovative design allows the glass to be tilt adjusted by simply turning top and bottom grub screws

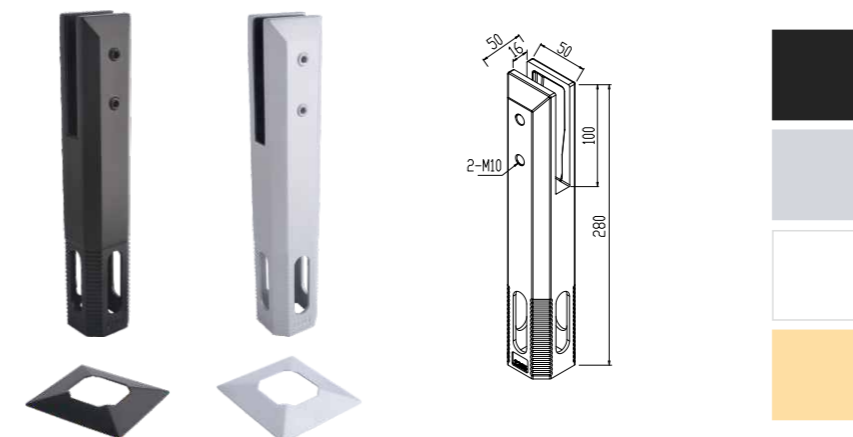


Electrically Insulated Spigots

In Australia, the standard AS/NZS 3000:2018 Electrical installations, known as the Wiring Rules, has made it mandatory for conductive metal fences and pool fence spigots within 1250mm from the water edge to have Equipotential Bonding (earthing). The Equipotential bonding serves to prevent severe injury or electrocution when a person comes into contact with metal components that may become electrically charged. Equipotential bonding for stainless steel spigots are created by connecting all the individual spigot as well as all conductive parts around the pool with a continuous earthing wire laid underneath the tiled floor around the pool to a earthing point. This installation is costly and difficult as a licensed electrical contractor is needed to ensure the work is AS/NZS 3000 compliant while the earthing wires needs to be in a pre-arranged location for each spigot.

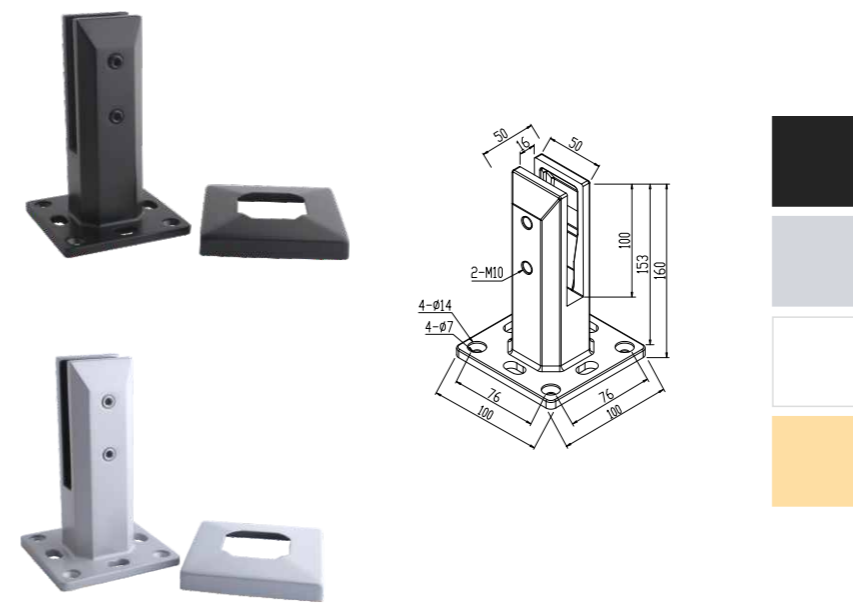
In order to overcome this, we have developed a composite coating which provides the spigots with an electrical insulation barrier. The insulated spigot's exposed surfaces are completely covered by the composite coating and the spigot becomes non-conductive, thus the insulated spigots are exempt to the equipotential bonding requirement under AS/NZS 3000.

The electrical insulation properties of the spigots are tested by an NATA accredited laboratory as shown in the report.



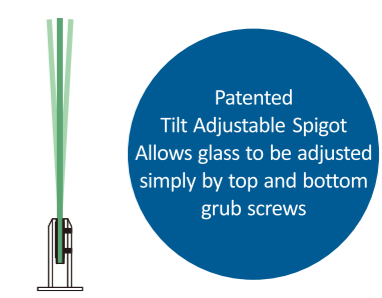
Code	Finish
SSC2810J5	Black
SSC2810JY5	Silver
SSC2810JW5	White
SSC2810JG5	Gold

Insulated core drill spigot
Duplex 2205 stainless steel
Suitable for 12mm (1/2") glass
Friction fit, no hole required in the glass



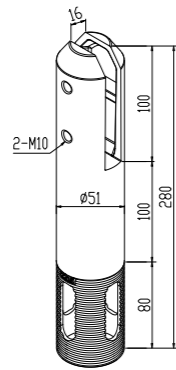
Code	Finish
SSA1620J5	Black
SSA1620JY5	Silver
SSA1620JW5	White
SSA1620JG5	Gold

Insulated base plated adjustable spigot
Duplex 2205 stainless steel
Suitable for 12mm (1/2") glass
Friction fit, no hole required in the glass



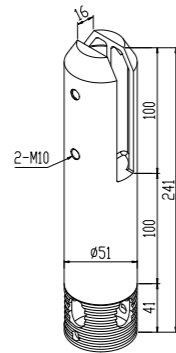


Round Spigot



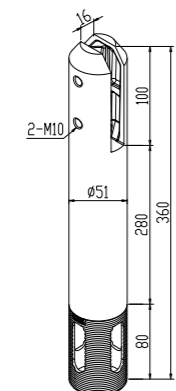
Code	Finish
SSC2831M5	Polished
SSC2831S5	Satin
SSC2831B5	Matt Black

Square core drill spigot
Duplex 2205 stainless steel
Suitable for 12mm (1/2") glass
Friction fit, no hole required in the glass



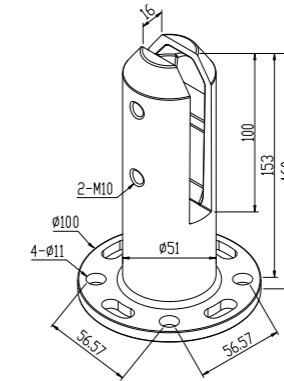
Code	Finish
SSC2430M54	Polished
SSC2430S54	Satin
SSC2430B54	Matt Black

Square core drill spigot
Duplex 2205 stainless steel
Suitable for 12mm (1/2") glass
Friction fit, no hole required in the glass



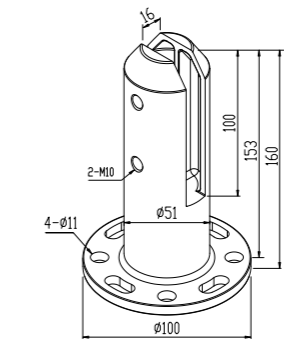
Code	Finish
SSC3630M5	Polished
SSC3630S5	Satin
SSC3630B5	Matt Black

Square core drill spigot
Duplex 2205 stainless steel
Suitable for 12mm (1/2") glass
Friction fit, no hole required in the glass



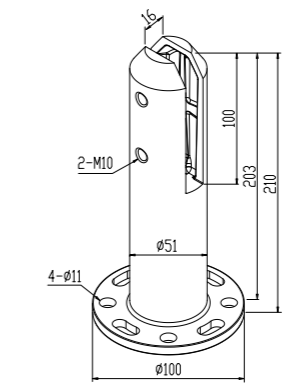
Code	Finish
SSC1641M5	Polished
SSC1641S5	Satin
SSC1641B5	Matt Black

Round base plated spigot
Duplex 2205 stainless steel
Suitable for 12mm (1/2") glass
Friction fit, no hole required in the glass



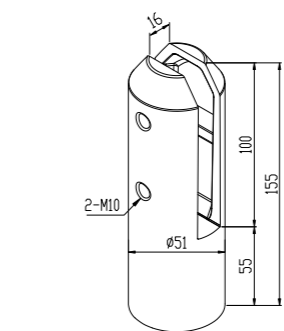
Code	Finish
SSC1641M54	Polished
SSC1641S54	Satin
SSC1641B54	Matt Black

Round base plated spigot
Duplex 2205 stainless steel
Suitable for 12mm (1/2") glass
Friction fit, no hole required in the glass



Code	Finish
SSC2141M5	Polished
SSC2141S5	Satin
SSC2141B5	Matt Black

Round base plated spigot
Duplex 2205 stainless steel
Suitable for 12mm (1/2") glass
Friction fit, no hole required in the glass



Code	Finish
SSC1531M5	Polished
SSC1531S5	Satin
SSC1531B5	Matt Black

Square core drill spigot
Duplex 2205 stainless steel
Suitable for 12mm (1/2") glass
Friction fit, no hole required in the glass

Leveling Stand

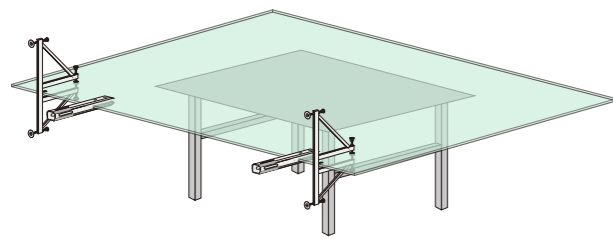
For the installation of core drill spigots we designed a leveling stand to make it easier to install the spigots in place. Adjust the glass panel to be plumb by simply screwing the top two bolts, and make glass leveling aligned by screwing the bottom standing legs.



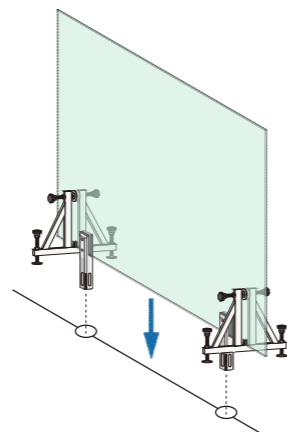
Item Code: SQR4829N



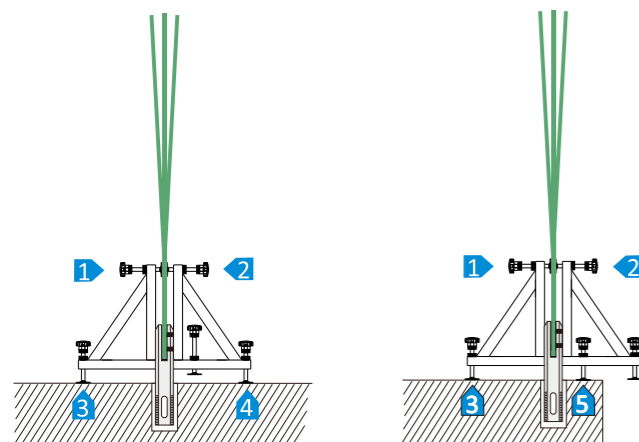
Use Guide



Step 1
Lay glass on a table with soft cloth under it, and then clamp spigots and leveling stands to the glass panel.



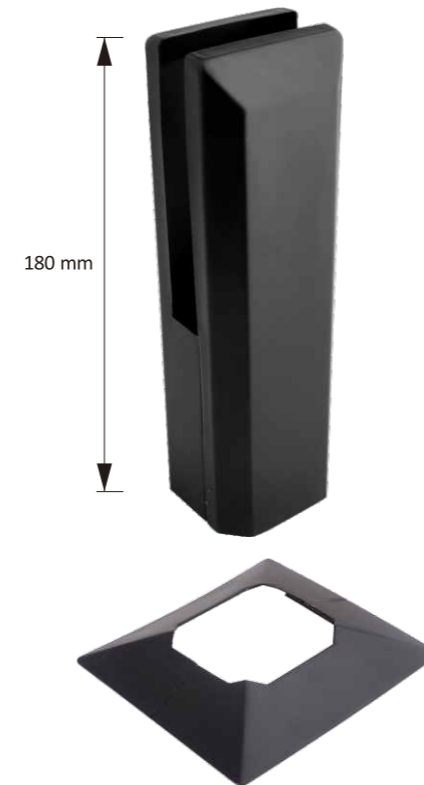
Step 2
Stand the glass panel up and evenly lower the spigots into the holes until the leveling stands sit on the ground.



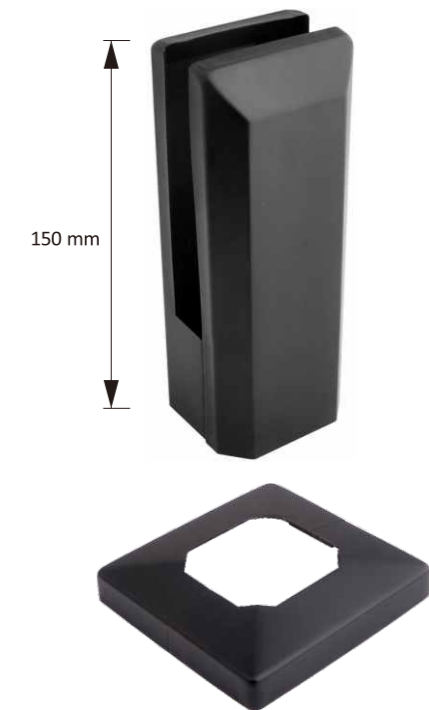
Step 3
Screwing the No. 1 and No. 2 bolts to make glass panel plumb.
screwing the No. 3 and No. 4 standing legs to adjust the gap from fixing floor to the bottom of glass.
Use No. 5 standing leg if the spigot position is close to the floor edge.

Spigot Cover

- Used for concealing peeling paint or changing the spigot surface finish
- Simply sleeve over core drill spigot or base plated spigot without removing glass
- Material: 316 stainless steel
- Available finish: polished, satin, matte black, silver, gold, white, gunmetal



Code	Finish
SQR1811M4	Polished
SQR1811S4	Satin
SQR1811B4	Matt Black
SQR1811BG4	Gold
SQR1811BQ4	Gun Metal
SQR1811BW4	White



Code	Finish
SQR1511M4	Polished
SQR1511S4	Satin
SQR1511B4	Matt Black
SQR1511BG4	Gold
SQR1511BQ4	Gun Metal
SQR1511BW4	White

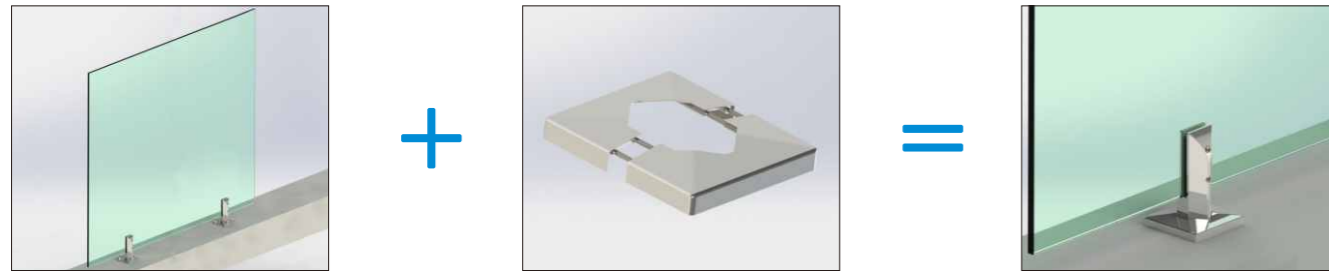
Split Covers

Split covers are designed to conceal the fixing anchors of spigots and welding flange of square post to dress up the installation

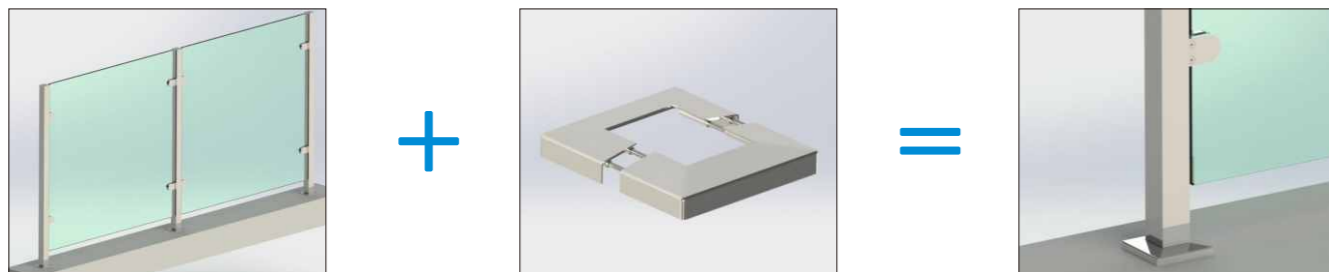
- Patented product
- Simply to join two parts, no need to remove glass panel
- Streamline the installation process, save heaps of time
- Material: 316 stainless steel
- Available finish: polished, satin, matte black, silver, gold, white, gunmetal
- OEM is available



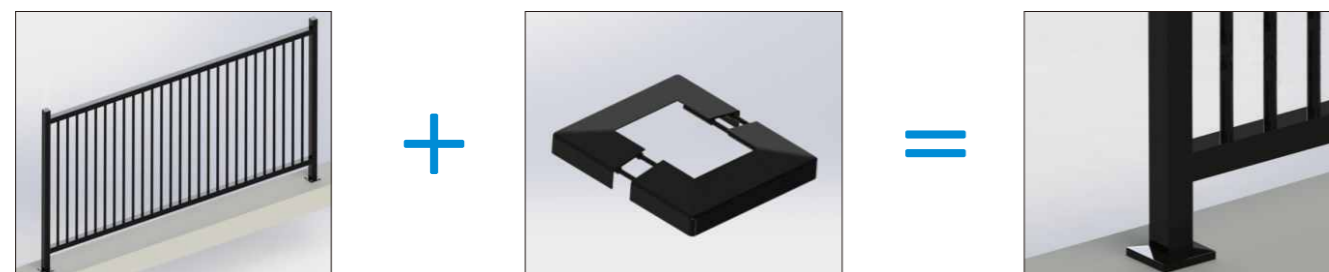
Application 1. Split cover for spigot



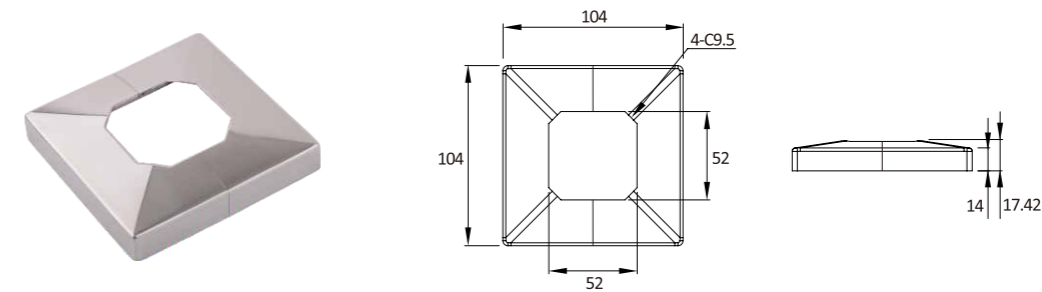
Application 2. Split cover for square post



Application 3. Split cover for aluminium fencing post

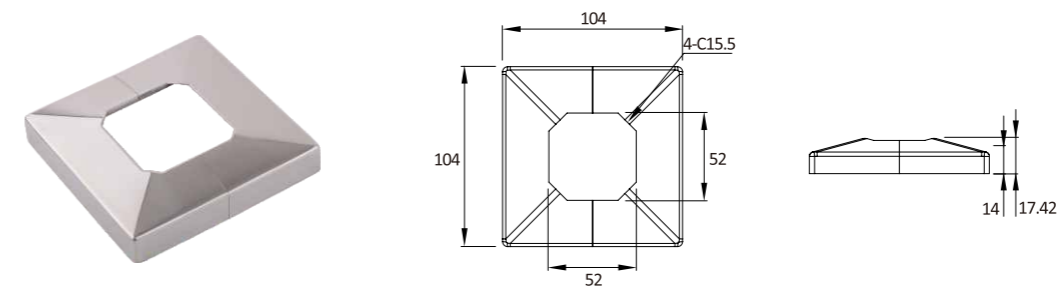


Split Cover for Spigot



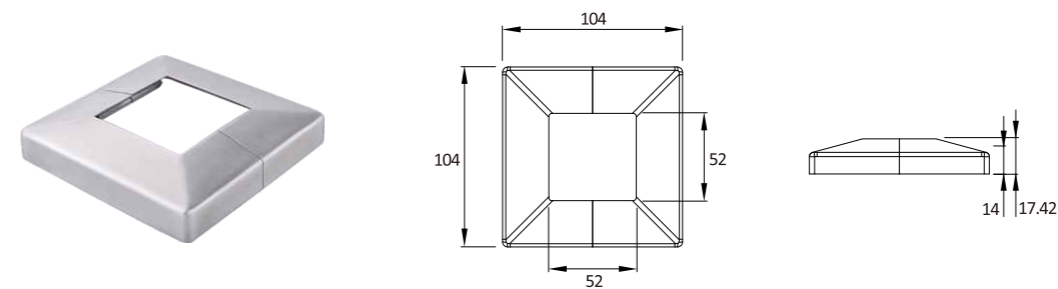
Code	Finish
SRD1420M6	Polished
SRD1420S6	Satin
SRD1420B6	Matt Black

Split Cover for Spigot



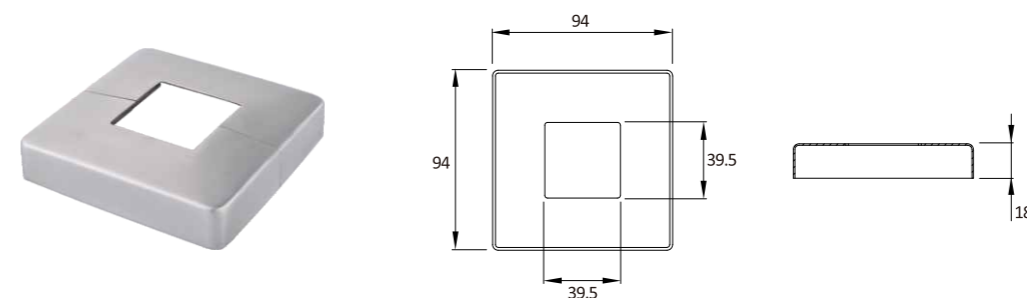
Code	Finish
SRD1421M6	Polished
SRD1421S6	Satin
SRD1421B6	Matt Black

Split cover for 50.8x50.8mm post



Code	Finish
SRD1422M6	Polished
SRD1422S6	Satin
SRD1422B6	Matt Black

Split cover for 38x38mm post



Code	Finish
SRD1820M6	Polished
SRD1820S6	Satin
SRD1820B6	Matt Black