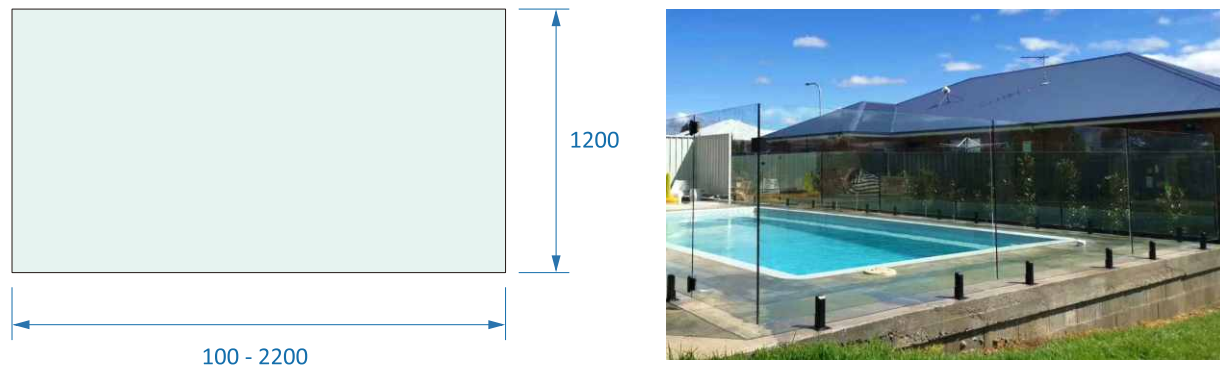
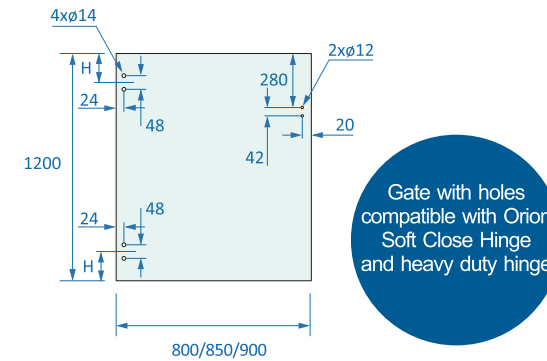


Pool Fencing Fixed Panel



Code	Thickness (mm)	Width (mm)	Height (mm)	Square Meter	Weight(kg)
PG100	12	100	1200	0.12	3.60
PG150	12	150	1200	0.18	5.40
PG200	12	200	1200	0.24	7.20
PG250	12	250	1200	0.30	9.00
PG300	12	300	1200	0.36	10.08
PG350	12	350	1200	0.42	12.60
PG400	12	400	1200	0.48	14.40
PG450	12	450	1200	0.54	16.20
PG500	12	500	1200	0.60	18.00
PG550	12	550	1200	0.66	19.80
PG600	12	600	1200	0.72	21.60
PG650	12	650	1200	0.78	23.40
PG700	12	700	1200	0.84	25.20
PG750	12	750	1200	0.90	27.00
PG800	12	800	1200	0.96	28.80
PG850	12	850	1200	1.02	30.60
PG900	12	900	1200	1.08	32.40
PG950	12	950	1200	1.14	34.20
PG1000	12	1000	1200	1.20	36.00
PG1050	12	1050	1200	1.26	37.80
PG1100	12	1100	1200	1.32	39.60
PG1150	12	1150	1200	1.38	41.40
PG1200	12	1200	1200	1.44	43.20
PG1250	12	1250	1200	1.50	45.00
PG1300	12	1300	1200	1.56	46.80
PG1350	12	1350	1200	1.62	48.60
PG1400	12	1400	1200	1.68	50.40
PG1450	12	1450	1200	1.74	52.20
PG1500	12	1500	1200	1.80	54.00
PG1550	12	1550	1200	1.86	55.80
PG1600	12	1600	1200	1.92	57.60
PG1650	12	1650	1200	1.98	59.40
PG1700	12	1700	1200	2.04	61.20
PG1750	12	1750	1200	2.10	63.00
PG1800	12	1800	1200	2.16	64.80
PG1850	12	1850	1200	2.22	66.60
PG1900	12	1900	1200	2.28	68.40
PG1950	12	1950	1200	2.34	70.20
PG2000	12	2000	1200	2.40	72.00
PG2050	12	2050	1200	2.46	73.80
PG2100	12	2100	1200	2.52	75.60
PG2150	12	2150	1200	2.58	77.40
PG2200	12	2200	1200	2.64	79.20

Pool Fencing Gate Panel

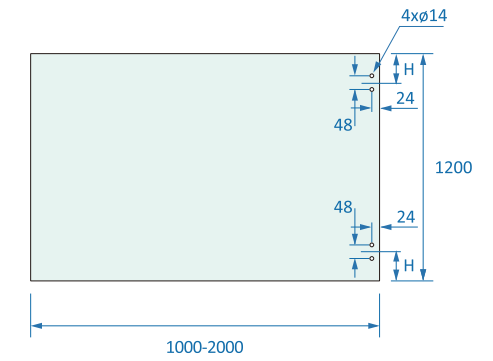


Code	Thickness (mm)	Width (mm)	Height (mm)	Square Meter	Weight (kg)
POG800	12	800	1200	0.96	28.80
POG850	12	850	1200	1.02	30.60
POG900	12	900	1200	1.08	32.40

We recommend to make the distance (H) from hinge center to glass edge to be 90-100mm which ensures the distance between top and bottom hinges is greater than 900mm to eliminate the need for safety cap while importantly the hinges provide a better grip and even distribution of force to the gate, ensuring better closing action and longevity of hinges.

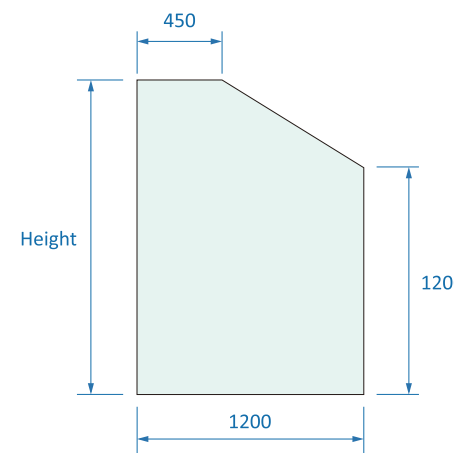
Pursuant to Australian safety standard, if the distance between top and bottom hinges is less than 900mm, a safety cap has to be installed to prevent children from climbing.

Pool Fencing Hinge Panel



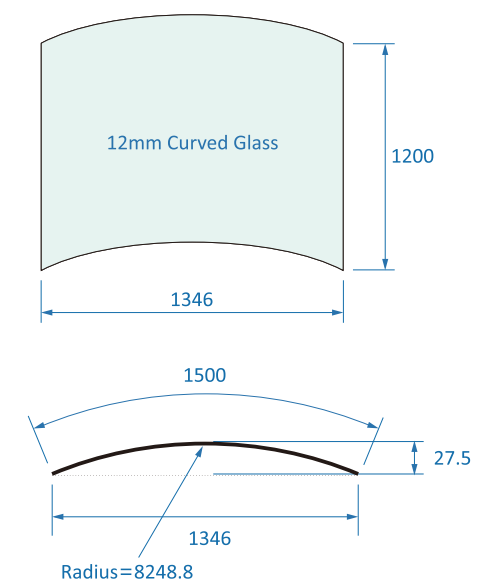
Code	Thickness (mm)	Width (mm)	Height (mm)	Square Meter	Weight (kg)
POH1000	12	1000	1200	1.20	36.00
POH1100	12	1100	1200	1.32	39.60
POH1200	12	1200	1200	1.44	43.20
POH1300	12	1300	1200	1.56	46.80
POH1400	12	1400	1200	1.68	50.40
POH1500	12	1500	1200	1.80	54.00
POH1600	12	1600	1200	1.92	57.60
POH1700	12	1700	1200	2.04	61.20
POH1800	12	1800	1200	2.16	64.80
POH1900	12	1900	1200	2.28	68.40
POH2000	12	2000	1200	2.40	72.00

Pool Fencing Raked Panel



Code	Thickness (mm)	Width (mm)	Height (mm)	Square Meter	Weight (kg)
PR1000	12	1300	1200	1.56	45.68
PR1100	12	1400	1200	1.68	48.15
PR1200	12	1500	1200	1.80	50.63
PR1300	12	1600	1200	1.92	53.10
PR1400	12	1700	1200	2.04	55.58
PR1500	12	1800	1200	2.16	58.05

Pool Fencing Curved Panel



Code	Thickness (mm)	Height (mm)	Arc (mm)	Chord (mm)
PGC1346	12	1200	1500	1346