

## ROPO Windows & Doors

ADD: Tieling Industrial Zone, Fuzhou City, Fujian Province, China

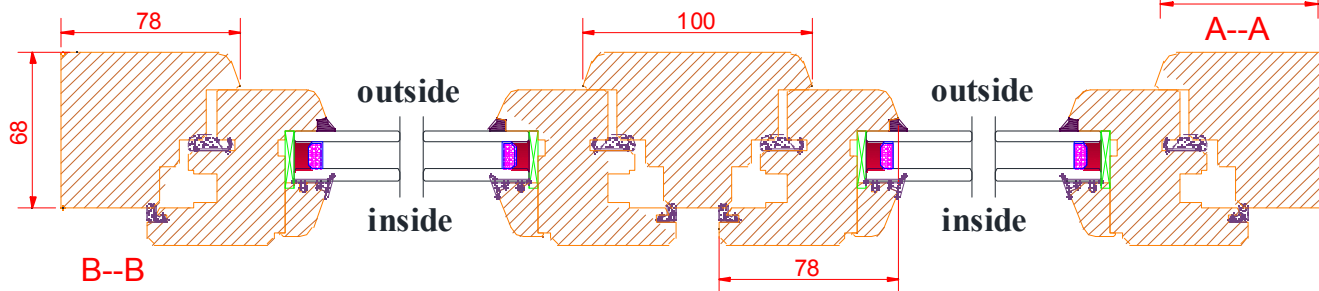
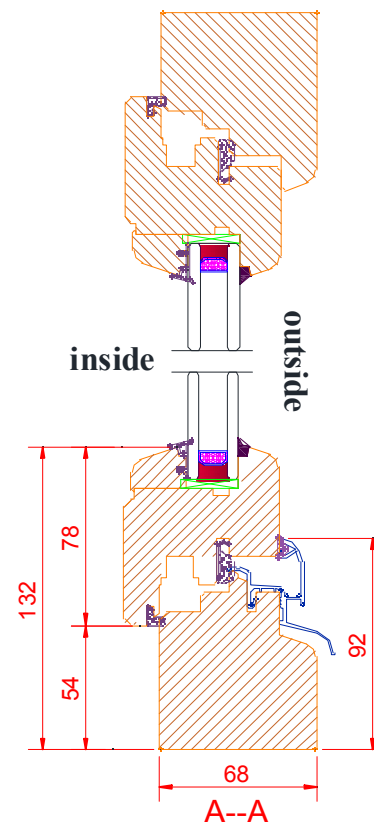
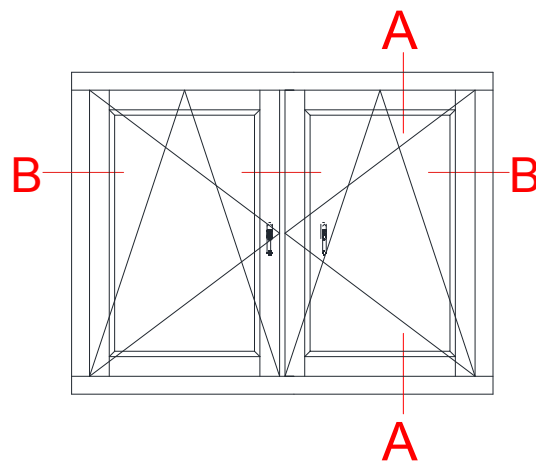
Web: [www.ropowindows.com](http://www.ropowindows.com)

E-mail: [sales@chinaropo.com](mailto:sales@chinaropo.com)

Tel: +0086-591-87147106 Fax: +0086-591-87143620

## Technical Literature

Version: Alu1.3



INSIDE VIEW



## ROPO Windows & Doors

ADD: Tieling Industrial Zone, Fuzhou City, Fujian Province, China

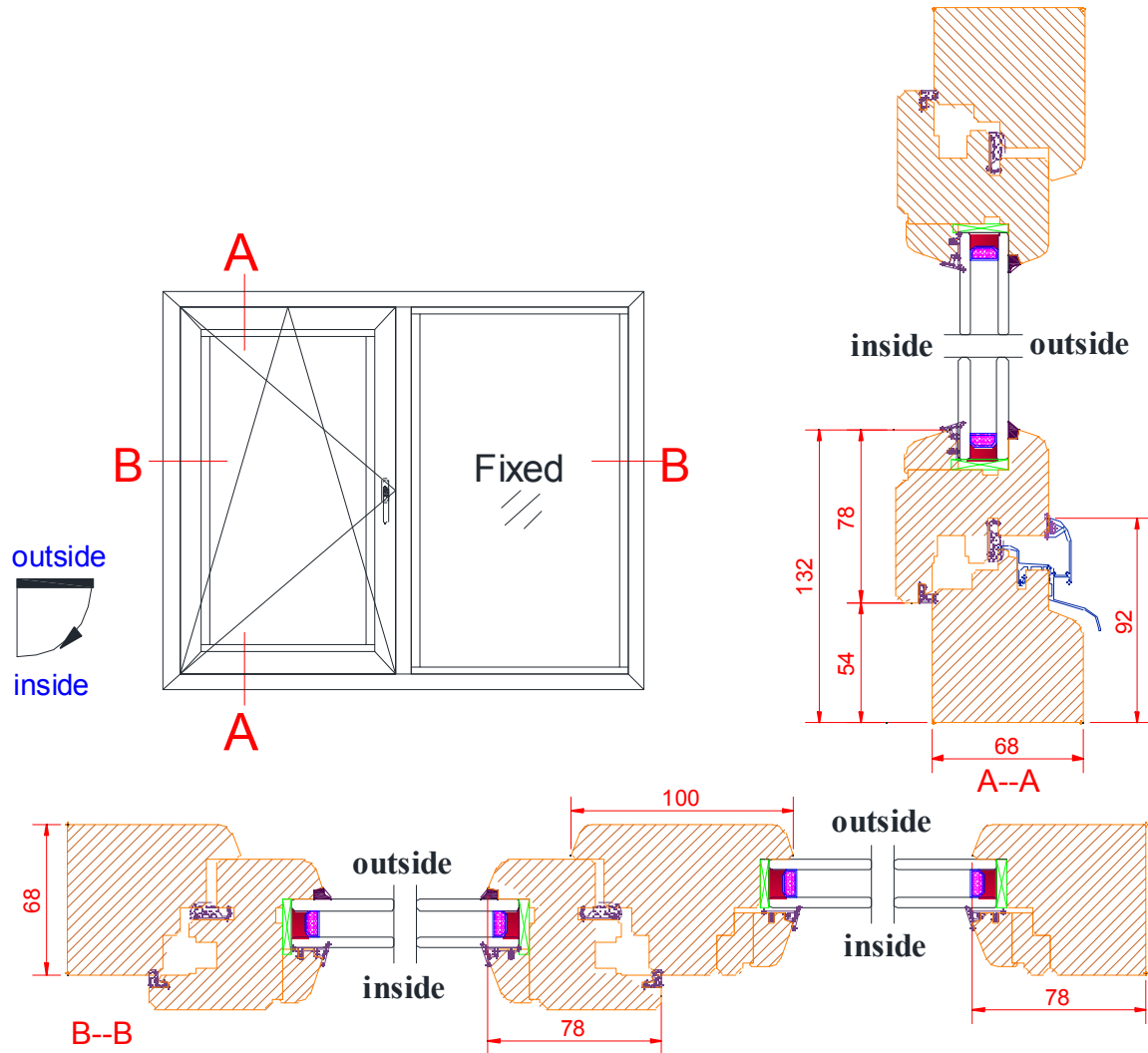
Web: [www.ropowindows.com](http://www.ropowindows.com)

E-mail: [sales@chinaropo.com](mailto:sales@chinaropo.com)

Tel: +0086-591-87147106 Fax: +0086-591-87143620

## Technical Literature

Version: Alu1.3



INSIDE VIEW



## ROPO Windows & Doors

ADD: Tieling Industrial Zone, Fuzhou City, Fujian Province, China

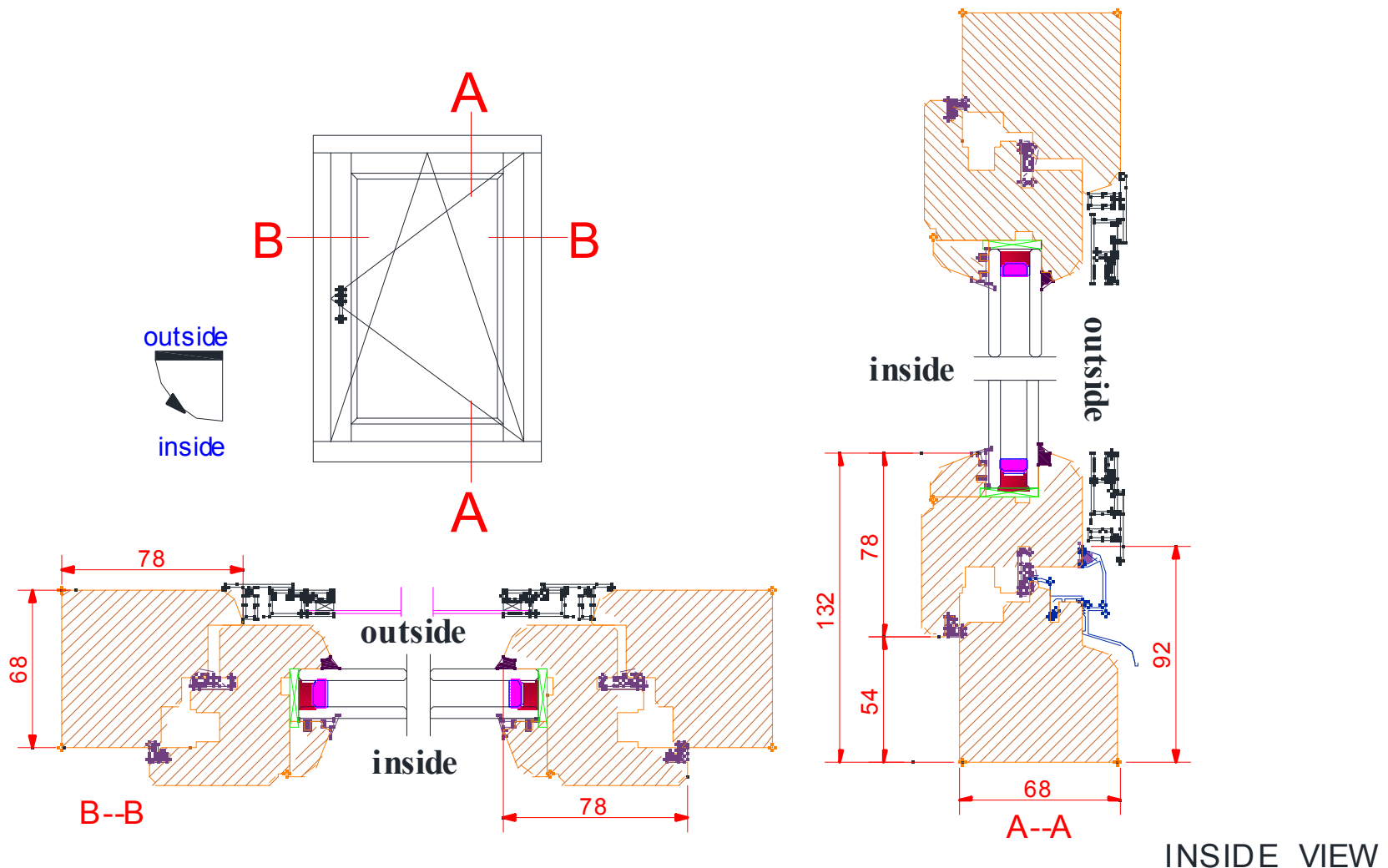
Web: [www.ropowindows.com](http://www.ropowindows.com)

E-mail: [sales@chinaropo.com](mailto:sales@chinaropo.com)

Tel: +0086-591-87147106 Fax: +0086-591-87143620

## Technical Literature

Version: Alu1.3



## ROPO Windows & Doors

ADD: Tieling Industrial Zone, Fuzhou City, Fujian Province, China

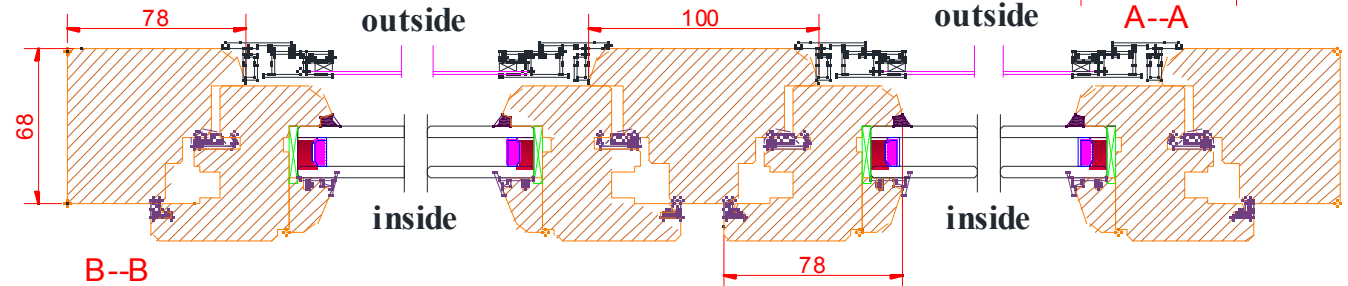
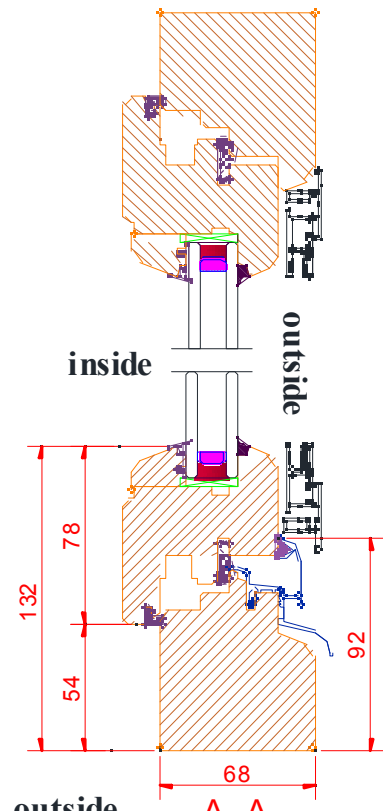
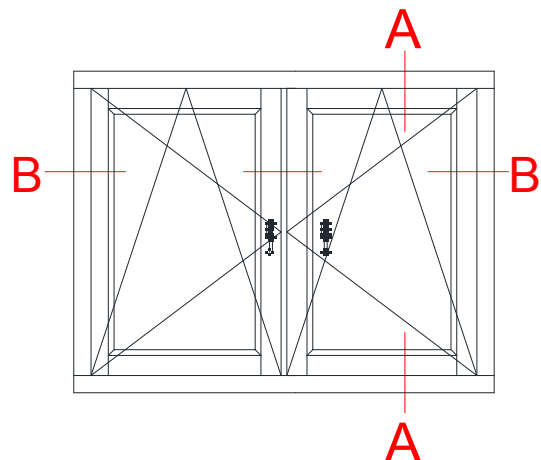
Web: [www.ropowindows.com](http://www.ropowindows.com)

E-mail: [sales@chinaropo.com](mailto:sales@chinaropo.com)

Tel: +0086-591-87147106 Fax: +0086-591-87143620

## Technical Literature

Version: Alu1.3



INSIDE VIEW

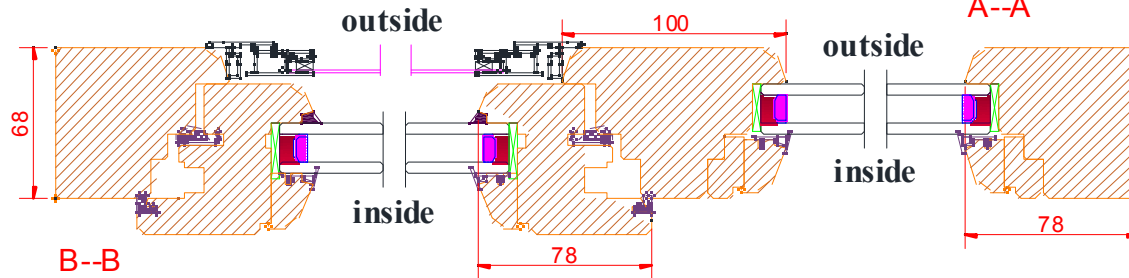
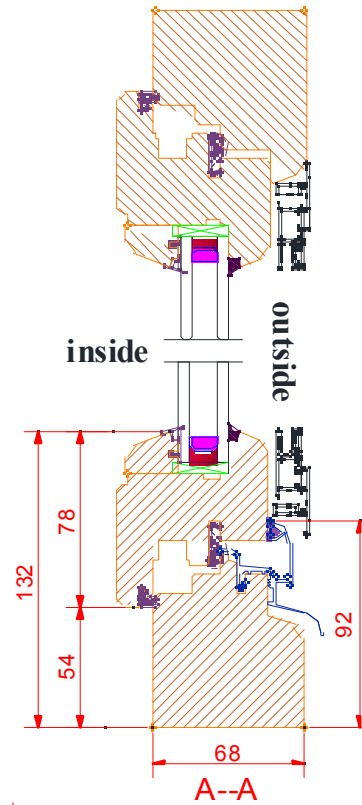
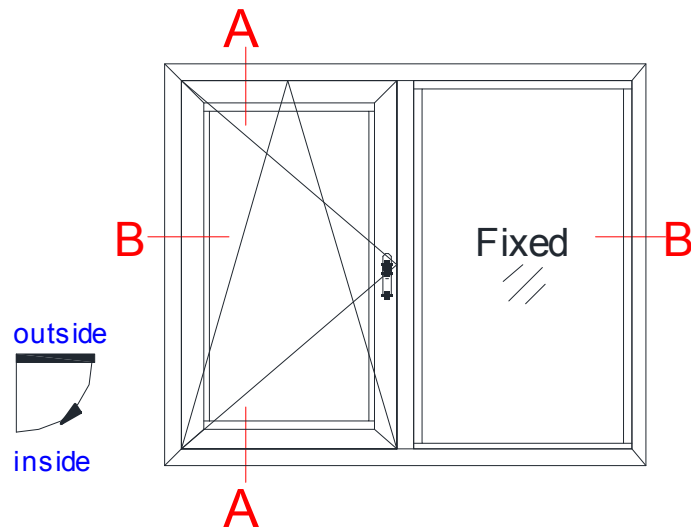


## ROPO Windows & Doors

ADD: Tieling Industrial Zone, Fuzhou City, Fujian Province, China  
 Web: [www.ropowindows.com](http://www.ropowindows.com)  
 E-mail: [sales@chinaropo.com](mailto:sales@chinaropo.com)  
 Tel: +0086-591-87147106 Fax: +0086-591-87143620

## Technical Literature

Version: Alu1.3



INSIDE VIEW



## ROPO Windows & Doors

ADD: Tieling Industrial Zone, Fuzhou City, Fujian Province, China

Web: [www.ropowindows.com](http://www.ropowindows.com)

E-mail: [sales@chinaropo.com](mailto:sales@chinaropo.com)

Tel: +0086-591-87147106 Fax: +0086-591-87143620

## Technical Literature

Version: Alu1.3