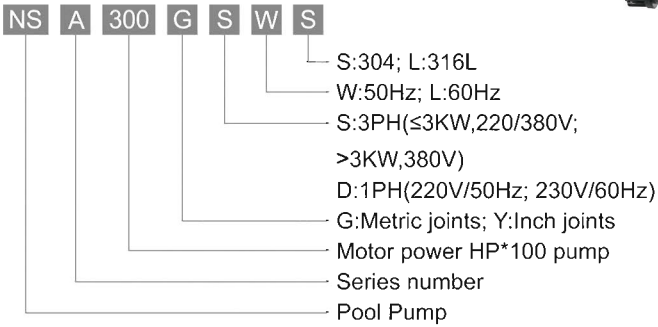


NSA Pool Pump (50HZ)



Model Definition



Motor

- 230/380V asynchronous two-pole motor
- Protection class: IP55
- Insulation class: F
- Continuous operation capability
- Built-in overheat protection short circuit device

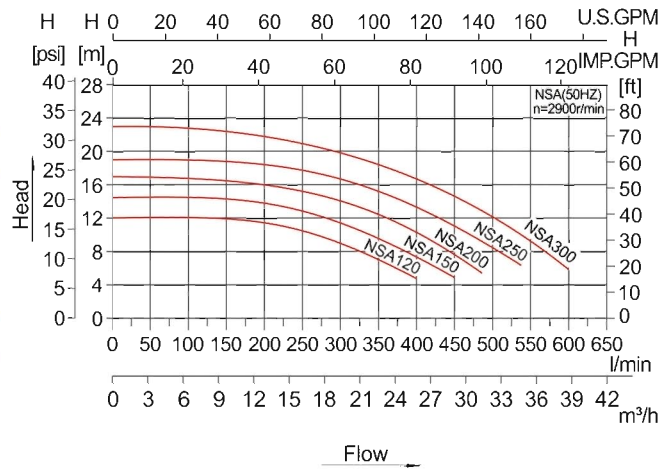
Materials

- Engineering plastics made water inlet and outlet
- Mechanical seal module material: Graphite/ Silicon Carbide
- O-ring: NBR
- Aluminium motor casing

Working Condition

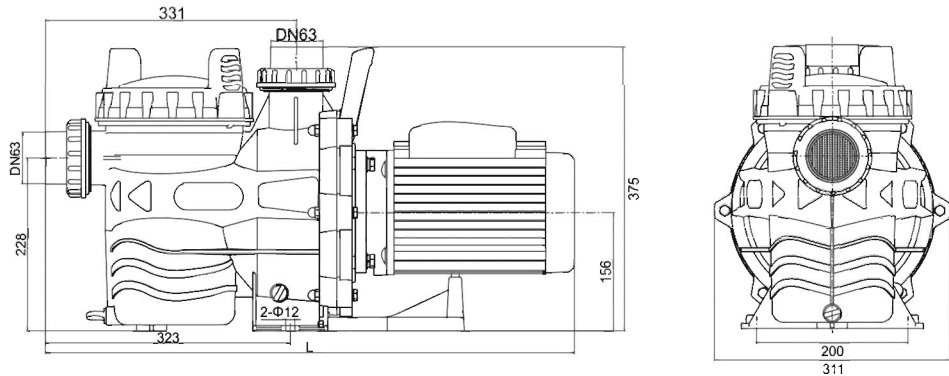
- Working Temp: 5-50°C
- Ambient Temp: ≤40°C
- Max Working Pressure: 0.3MPa
- Max Self-priming Height: 1.5 meters

Performance Curve



Installation Sketch

| Model | L |
|--------|-----|
| NSA120 | 679 |
| NSA150 | |
| NSA200 | |
| NSA250 | 708 |
| NSA300 | |



Performance Table

| Model | P ₁ | | Max Head [m] | Max Flow | | Packing Size L*W*H[cm] | GW [KG] | Flow Q | Head H[m] | | | | | | | |
|--------|----------------|------|--------------|----------|---------|------------------------|---------|-----------|-----------|---------|------|------|------|------|-----|----|
| | [KW] | [HP] | | [m³/h] | [l/min] | | | | [m³/h] | [l/min] | 5 | 10 | 15 | 20 | 25 | 30 |
| NSA120 | 1.1 | 1.5 | 12.0 | 24.0 | 400 | 76*35*44 | 19.6 | Head H[m] | 12.0 | 11.9 | 10.0 | 7.5 | | | | |
| NSA150 | 1.5 | 2 | 14.7 | 27.0 | 450 | 76*35*44 | 20.6 | | 14.2 | 14.2 | 13.1 | 11.0 | 6.5 | | | |
| NSA200 | 1.85 | 2.5 | 17.5 | 32.0 | 533 | 76*35*44 | 23.5 | | 16.6 | 16.1 | 15.3 | 12.5 | 10.2 | 6.0 | | |
| NSA250 | 2.2 | 3 | 19.0 | 35.0 | 583 | 76*35*44 | 24.7 | | 18.5 | 18.1 | 17.8 | 16.2 | 13.6 | 9.2 | 5.8 | |
| NSA300 | 3 | 4 | 23.0 | 39.0 | 650 | 76*35*44 | 25.6 | | 22.1 | 21.9 | 20.8 | 18.9 | 16.5 | 13.0 | 8.5 | |