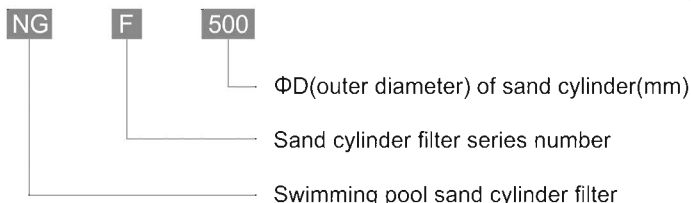


NGF Fiberglass Sand Filter Side Mount

Model Definition



Product Profile

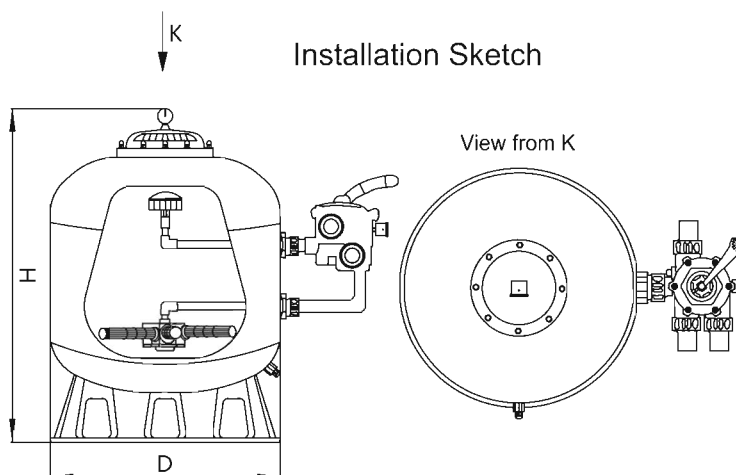
- NGS ejector sand cylinder filter is made of glass fiber and resin with good chemical corrosion resistance, sun protection and UV protection. Sand cylinder has a certain degree of elasticity, not easy to crack and broken. The design of water distributor is unique and efficiency of culvert drainage system is high. After filtering the pool water through the sand tank filter. The effluent turbidity is less than 2 degrees which has the priority in the filtration system of swimming pool, SPA, water scape and water park.

Working Condition

- Working Temp: 5-50°C
- Max working pressure: 0.25MPa
- Ambient Temp: ≤50°C

Characteristics

- The cylinder body is made of glass fiber, and the surface is treated with uv protection
- Ergonomic design of six - way valve
- Stainless steel shockproof pressure gauge
- Built-in filter bottom tube, easy maintenance
- The bottom sand discharge valve facilitates the removal of goods to replace sand in the sand cylinder.



Performance Table

Model	D [inch/mm]	Inter& Outlet [inch]	Flow [m³/h]	Flow [l/min]	Filtration Area[m²]	Filter Material [KG]	H [mm]	Size [mm]	Weight [KG]
NGF-500	20"/ø500	1.5"	10	167	0.20	80	590	510*510*670	14
NGF-600	24"/ø600	1.5"	15	250	0.30	160	660	630*630*670	19
NGF-700	28"/ø700	1.5"	18.5	308	0.37	220	740	710*710*670	22.5
NGF-800	32"/ø800	2"	25	417	0.50	370	890	830*830*930	39.5
NGF-900	36"/ø900	2"	30	500	0.64	447	960	900*900*990	40
NGF-1000	40"/ø1000	2"	35	583	0.79	700	1080	1030*1030*1200	57
NGF-1200	48"/ø1200	2"	50	833	1.13	1200	1250	1230*1230*1380	68