

# NSJ Small Pump (50HZ)

## Features

- Small pump with pre-filter for economic small pools.
- Suitable for artificial waterfall landscape.
- High-tech motor with qualified material provide with cooler running and longer life.

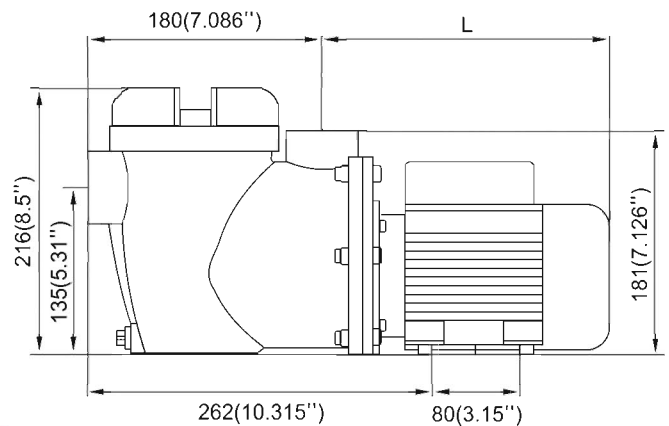
## Advantages

- EPDM O-ring provide with high resistance and avoid leakage
- Stainless Steel 316 spring applicable for sea water and fresh water
- Wide voltage design applies to voltage range from 110v to 250v
- Copper coil ensure cool running and can bear temperature rating at 180°C
- Built-in thermal protector assure long motor lifetime
- Cold rolled sheet inside motor assure 100% high efficiency
- High-precision Stainless Steel shaft reduce noise to 60 dB
- Thermostable oil bearing endure temperature rating at 150°C
- Totally Enclosed Fan Cooled
- Insulation: F
- Protection: Ip54

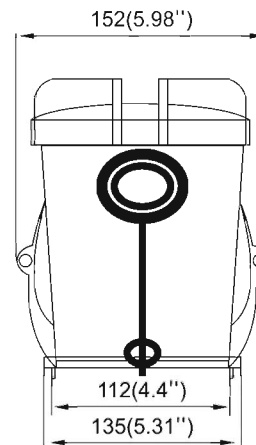
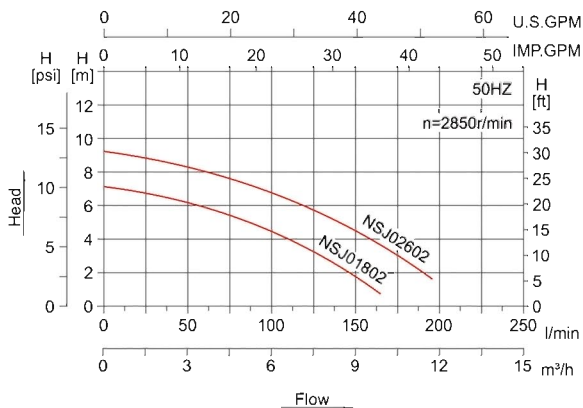
Model	L
NSJ01802	9.5''(240mm)
NSJ02602	9.5''(240mm)



## Performance Curve



## Installation Sketch



## Performance Table

Item	Voltage	Hertz	Input [w]	Output [w]	Amps	Flow Rate [m³/h]	Flow Rate [l/min]	Pipe Size [mm]	Weight [KG]	Packing Size L*W*H[mm]
NSJ01802	220-240	50	300	180	1.00	10	166	38	5	450*180*270
NSJ02602	220-240	50	400	260	1.80	12	200	38	5	450*180*270