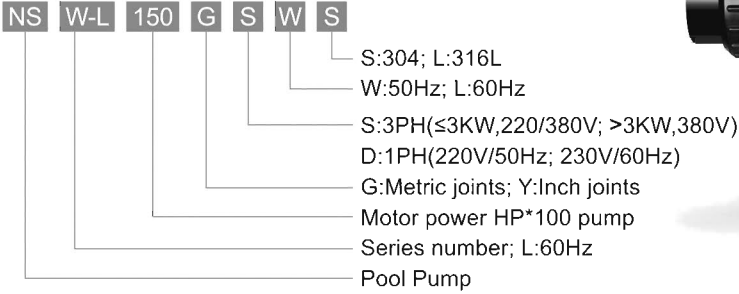


NSW Pool Pump (60HZ)

Model Definition



Motor

- 115/230V asynchronous single-phase two-pole motor (two voltage configuration: 115V/230V)
- NEMA service factor, single phase ODP motor
- Insulation class: F
- Continuous operation capability
- Built-in overheat protection short circuit device

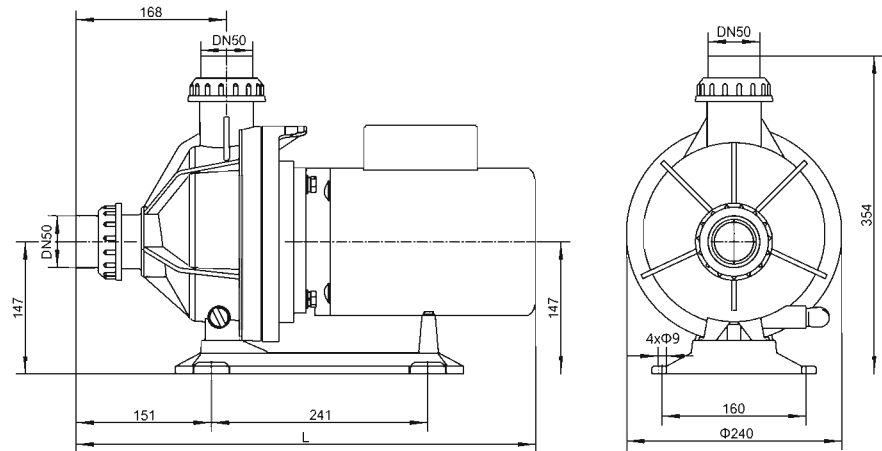
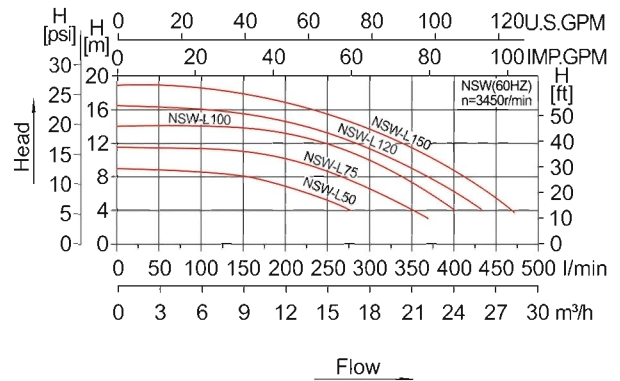
Materials

- Engineering plastics made water inlet and outlet
- Mechanical seal module material: Graphite/ Silicon Carbide
- O-ring: NBR
- 08F rimmed steel motor casing

Working Condition

- Working Temp: 5-50°C
- Ambient Temp: ≤40°C
- Max Working Pressure: 0.3MPa

Performance Curve



Performance Table

Model	P ₁		Max Head [m]	Max Flow		Packing Size L*W*H[cm]	GW [KG]	Flow Q	Head H[m]										
	[KW]	[HP]		[m³/h]	[l/min]				[m³/h]	[l/min]	3	6	9	12	15	18	21	24	
NSW-L50	0.55	0.75	8.5	17.0	283	48*26*35	10.1		8.6	8.5	7.6	6.5	5.0						
NSW-L75	0.75	1	12.0	21.0	350	48*26*35	10.7		12.0	12.5	12.0	11.0	9.1	7.1	4.5				
NSW-L100	0.9	1.2	14.5	24.0	400	56*26*35	13.1		14.0	13.7	13.7	13.2	12.0	9.7	7.2	4.0			
NSW-L120	1.1	1.5	16.5	25.0	417	56*26*35	14.3		16.5	16.1	15.5	14.5	13.2	11.2	8.9	6.4			
NSW-L150	1.5	2	19.0	28.0	467	56*26*35	15.5		18.5	18.4	17.6	16.5	15.3	13.5	11.3	8.9			