

NSW Pool Pump (50HZ)

Model Definition

NS W 150 G S W S

- S:304; L:316L
- W:50Hz; L:60Hz
- S:3PH(≤3KW,220/380V; >3KW,380V)
- D:1PH(220V/50Hz; 230V/60Hz)
- G:Metric joints; Y:Inch joints
- Motor power HP*100 pump
- Series number
- Pool Pump



Motor

- 230/380V asynchronous two-pole motor
- Protection class: IP55
- Insulation class: F
- Continuous operation capability
- Built-in overheat protection short circuit device

Applications

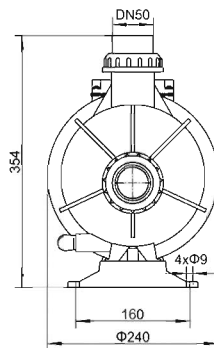
- Household and commercial swimming pool
- Water park
- Water landscape gardening
- Mariculture
- SPA

Working Condition

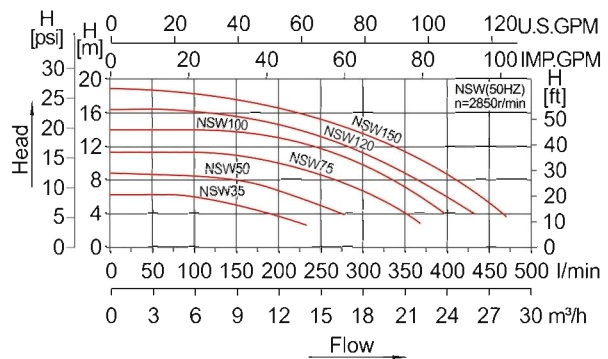
- Working Temp: 5-50°C
- Ambient Temp: ≤40°C
- Max Working Pressure: 0.3MPa

Installation Sketch

Model	L
NSW35	
NSW50	462
NSW75	
NSW100	
NSW120	517
NSW150	

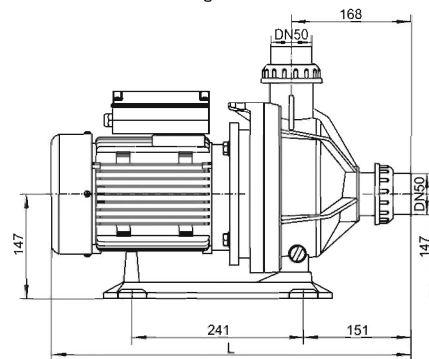


Performance Curve



Materials

- Engineering plastics made water inlet and outlet
- Mechanical seal module material: Graphite/ Silicon Carbide
- O-ring: NBR
- Aluminium motor casing



Performance Table

Model	P ₁		Max Head [m]	Max Flow		Packing Size L*W*H[cm]	GW [KG]	Flow Q	Head H[m]									
	[KW]	[HP]		[m³/h]	[l/min]				[m³/h]	[l/min]	3	6	9	12	15	18	21	24
NSW35	0.37	0.5	6.5	14.0	233	48*26*35	9.3		6.2	6.0	4.7	3.6						
NSW50	0.55	0.75	8.5	17.0	283	48*26*35	10.1		8.6	8.5	7.6	6.5	5.0					
NSW75	0.75	1	11.5	21.0	350	48*26*35	10.7	Head	11	11.5	11	10	8.1	6.1	3.5			
NSW100	0.9	1.2	14.5	24.0	400	56*26*35	13.1	H[m]	14.0	13.7	13.7	13.2	12.0	9.7	7.2	4.0		
NSW120	1.1	1.5	16.5	25.0	417	56*26*35	14.3		16.5	16.1	15.5	14.5	13.2	11.2	8.9	6.4		
NSW150	1.5	2	19.0	28.0	467	56*26*35	15.5		18.5	18.4	17.6	16.5	15.3	13.5	11.3	8.9		