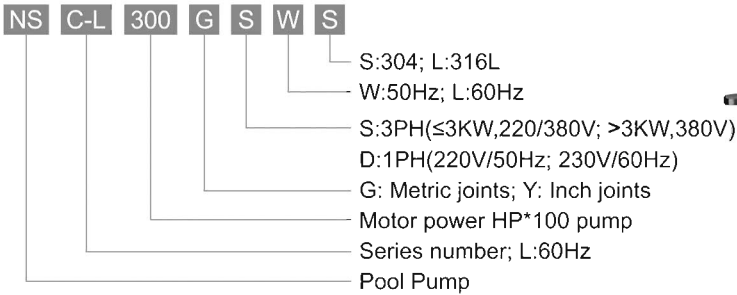


NSC Pool Pump (60HZ)

Model Definition



Motor

- 115/230V asynchronous single-phase two-pole motor (two voltage configuration: 115/230V)
- NEMA service factor: single phase ODP motor
- Insulation class: F
- Continuous operation capability
- Built-in overheat protection short circuit device

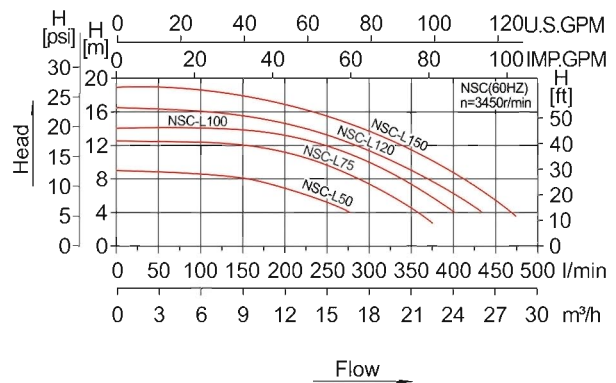
Materials

- Engineering plastics made water inlet and outlet
- Mechanical seal module material: Graphite/ Silicon Carbide
- O-ring: NBR
- 08F rimmed steel motor casing

Working Condition

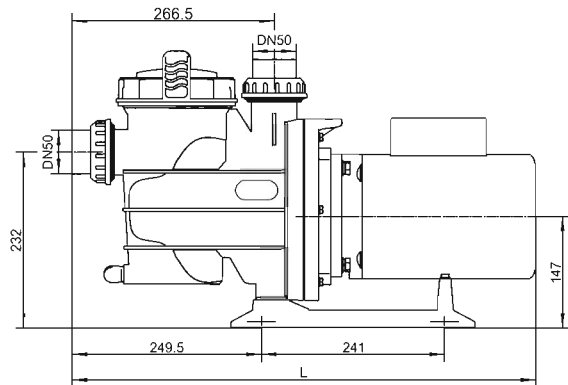
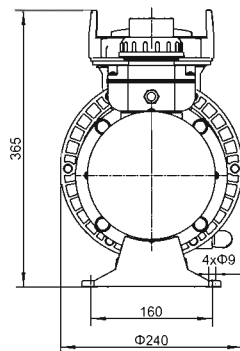
- Working Temp: 5-50°C
 - Ambient Temp: ≤40°C
 - Max Working Pressure: 0.3MPa
- Max Self-Priming Height
- 3 meters

Performance Curve



Installation Sketch

Model	L
NSC-L50	570
NSC-L75	570
NSC-L100	590
NSC-L120	590
NSC-L150	610



Performance Table

Model	P ₁		Max Head [m]	Max Flow		Packing Size L*W*H[cm]	GW [KG]	Flow Q	Flow Q								
	[KW]	[HP]		[m³/h]	[l/min]				[m³/h]	[l/min]	3	6	9	12	15	18	21
NSC-L50	0.55	0.75	8.5	17.0	283	58*26*39	11.1	Head H[m]	8.6	8.5	7.6	6.5	5.0				
NSC-L75	0.75	1	12.0	21.0	350	58*26*39	11.7		12.0	12.5	12.0	11.0	9.1	7.1	4.5		
NSC-L100	0.9	1.2	14.5	24.0	400	66*26*41	14.1		14.0	13.7	13.7	13.2	12.0	9.7	7.2	4.0	
NSC-L120	1.1	1.5	16.5	25.0	417	66*26*41	15.3		16.5	16.1	15.5	14.5	13.2	11.2	8.9	6.4	
NSC-L150	1.5	2	19.0	28.0	467	66*26*41	16.5		18.5	18.4	17.6	16.5	15.3	13.5	11.3	8.9	